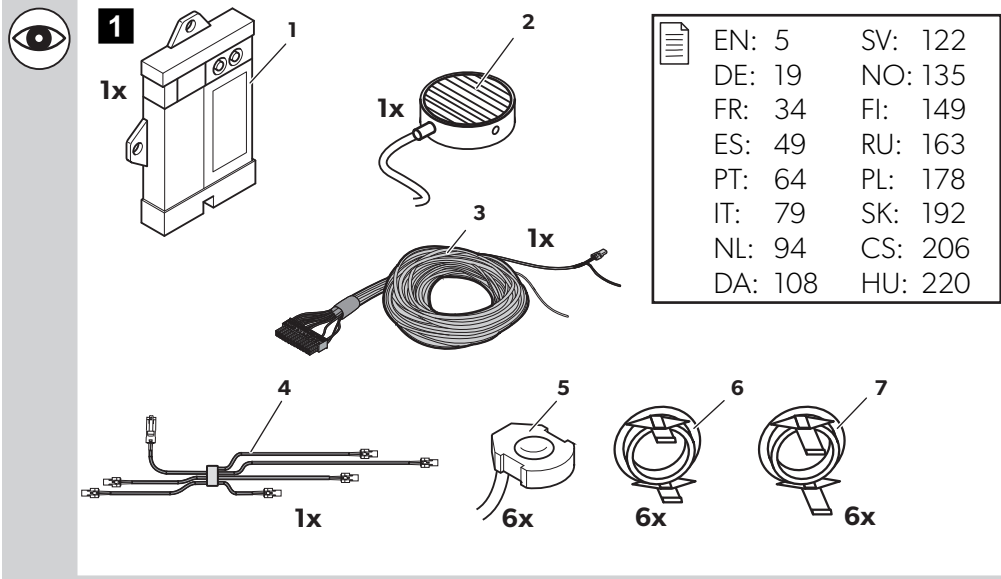


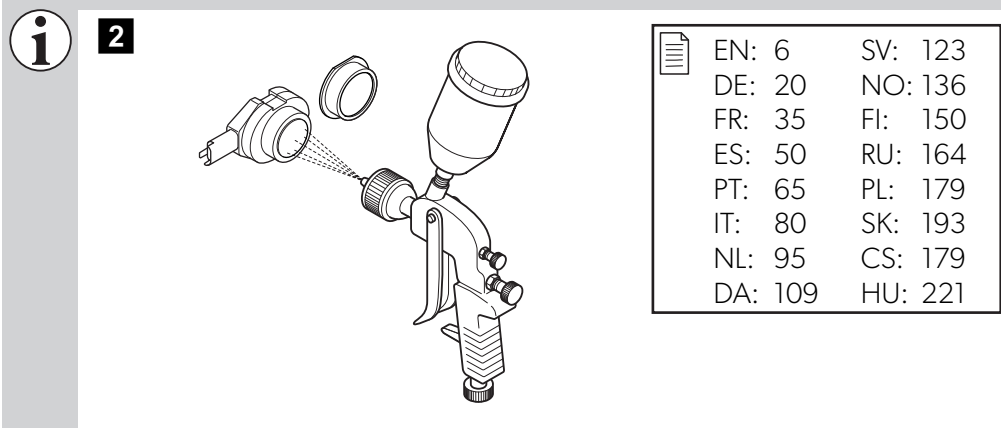
DOMETIC MWE 7006

1



EN:	5	SV:	122
DE:	19	NO:	135
FR:	34	FI:	149
ES:	49	RU:	163
PT:	64	PL:	178
IT:	79	SK:	192
NL:	94	CS:	206
DA:	108	HU:	220

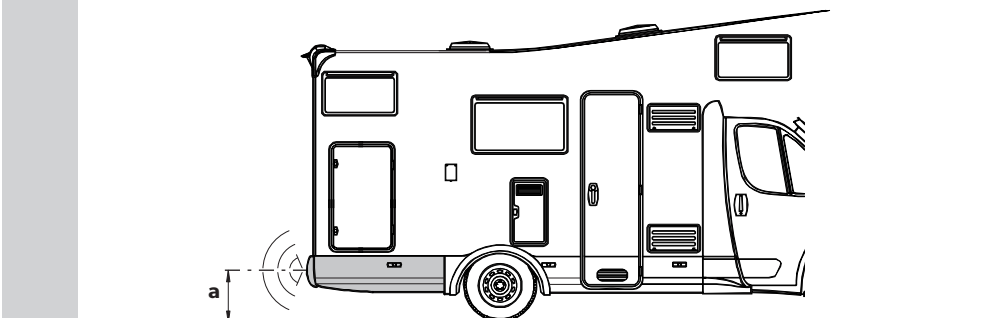
2

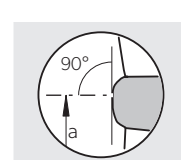

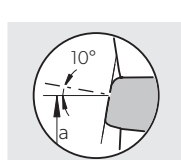

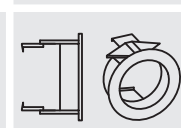
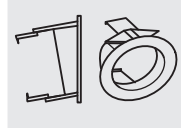


EN:	6	SV:	123
DE:	20	NO:	136
FR:	35	FI:	150
ES:	50	RU:	164
PT:	65	PL:	179
IT:	80	SK:	193
NL:	95	CS:	179
DA:	109	HU:	221

3

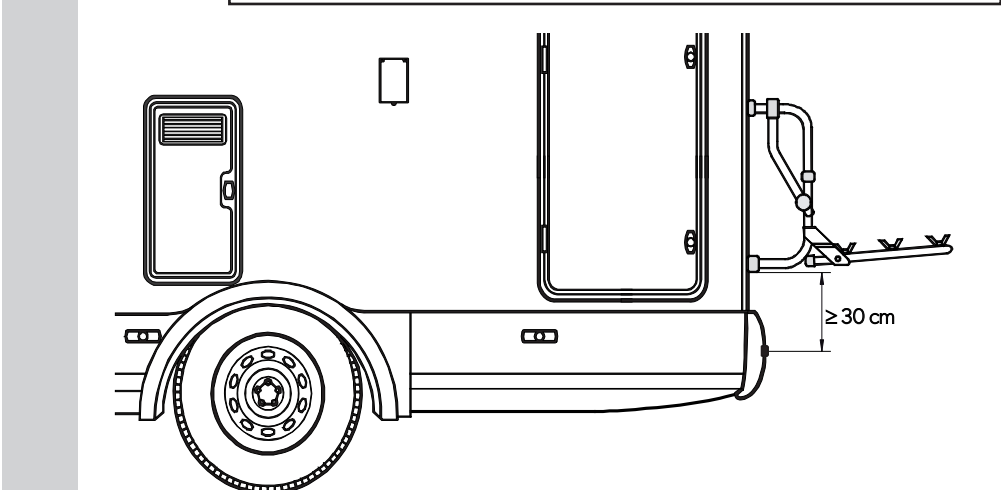
EN:	7	PT:	66	SV:	124	PL:	180
DE:	21	IT:	81	NO:	137	SK:	194
FR:	36	NL:	96	FI:	151	CS:	208
ES:	51	DA:	110	RU:	165	HU:	222



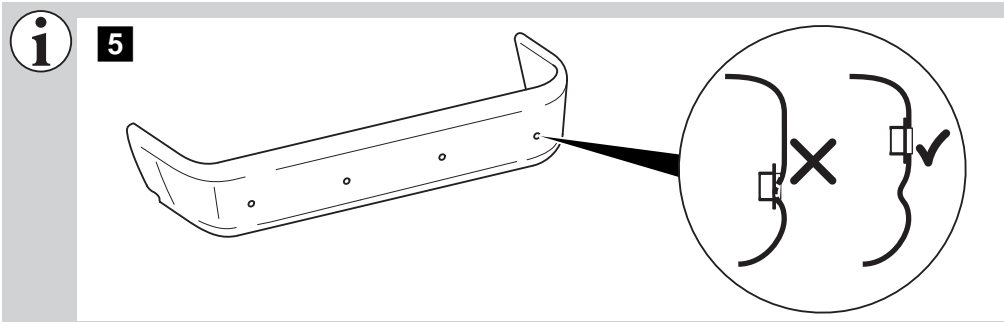
				
a = 60 cm		24 mm	-	-
a = 45 cm	-	-		24 mm

4

EN:	7	PT:	66	SV:	124	PL:	180
DE:	21	IT:	81	NO:	137	SK:	194
FR:	36	NL:	96	FI:	151	CS:	208
ES:	51	DA:	110	RU:	165	HU:	222



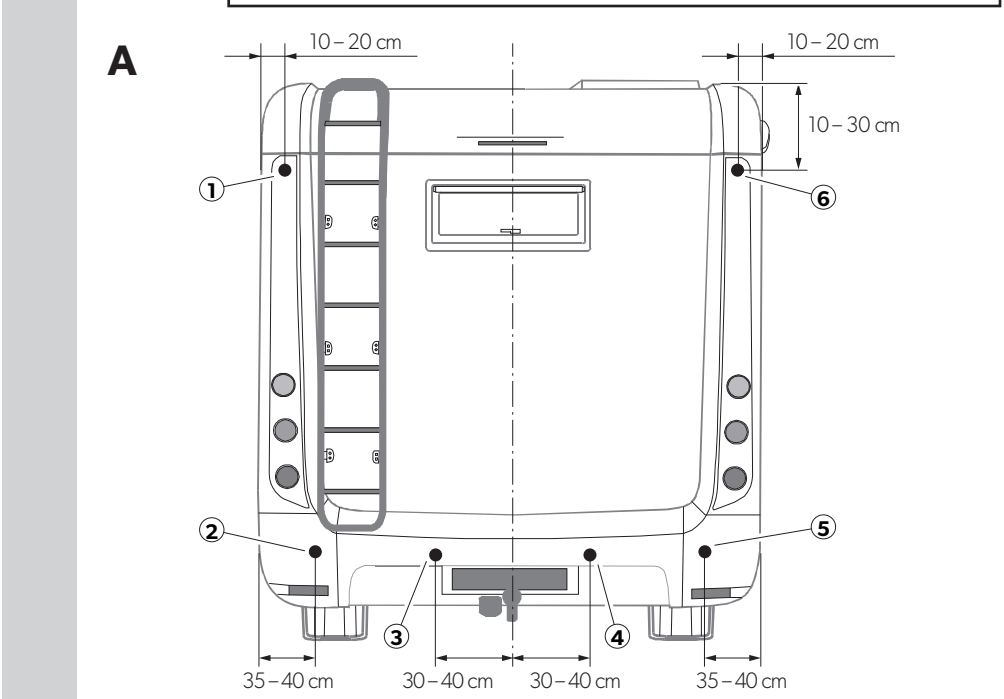
5



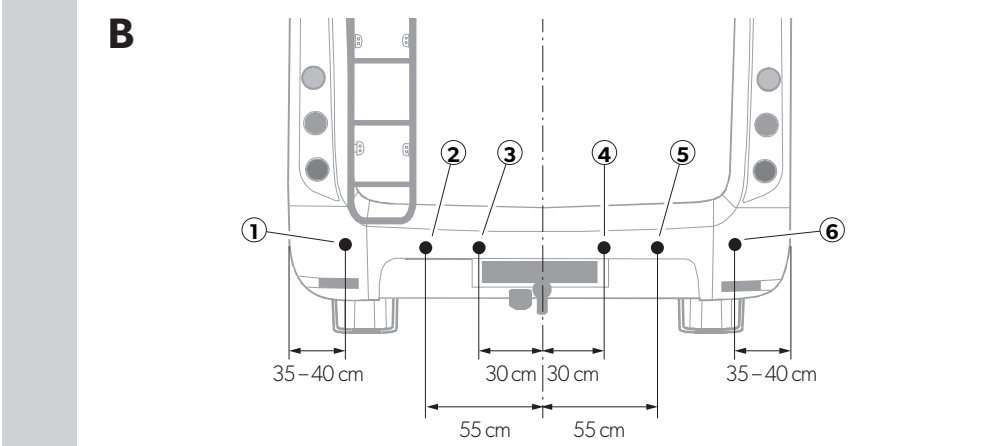
6

EN:	7	PT:	66	SV:	124	PL:	180
DE:	21	IT:	81	NO:	137	SK:	194
FR:	36	NL:	96	FI:	151	CS:	208
ES:	51	DA:	110	RU:	165	HU:	222

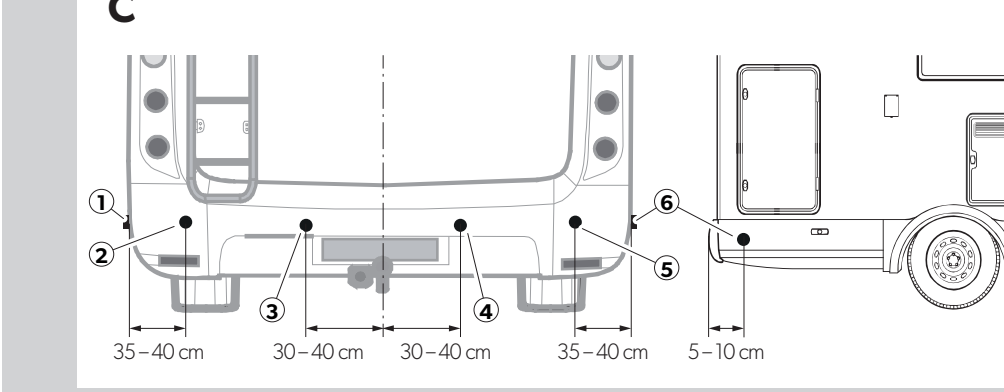
A



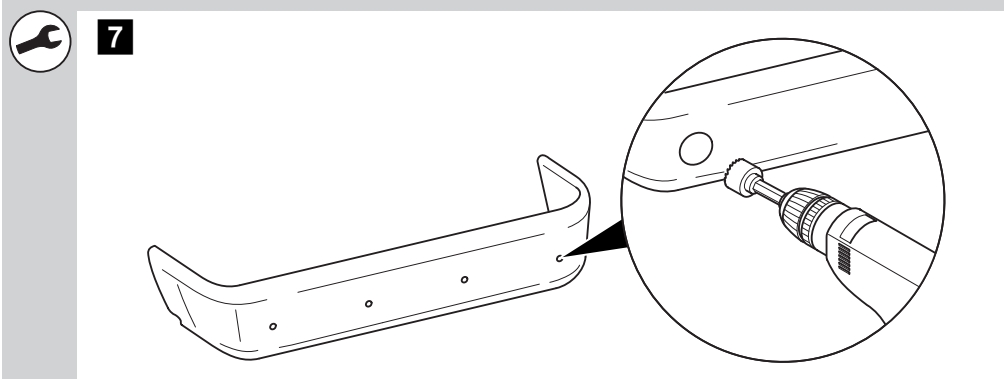
B



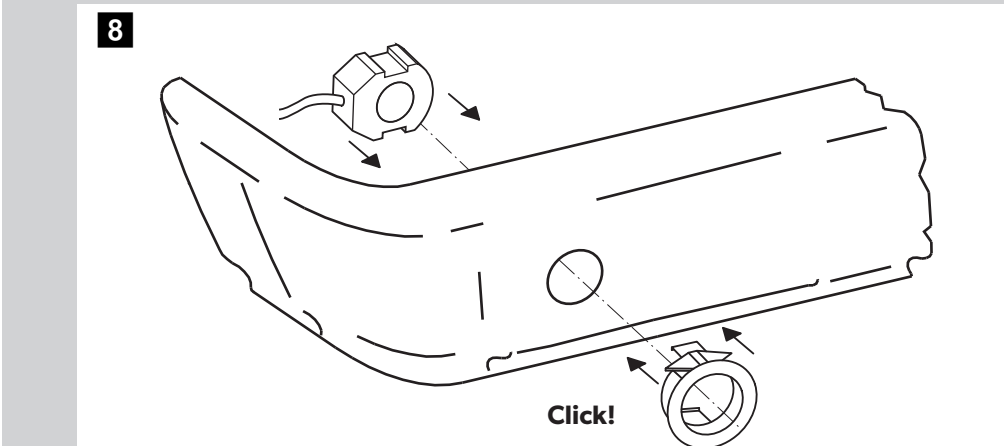
C

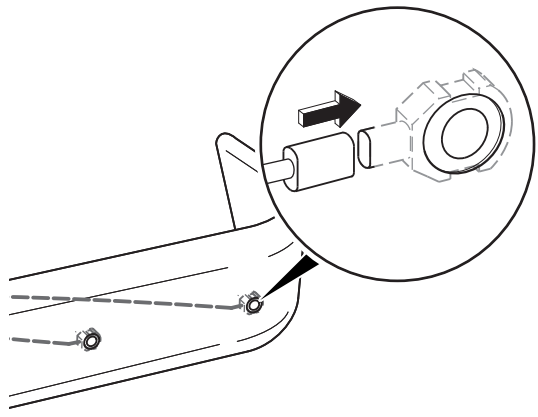
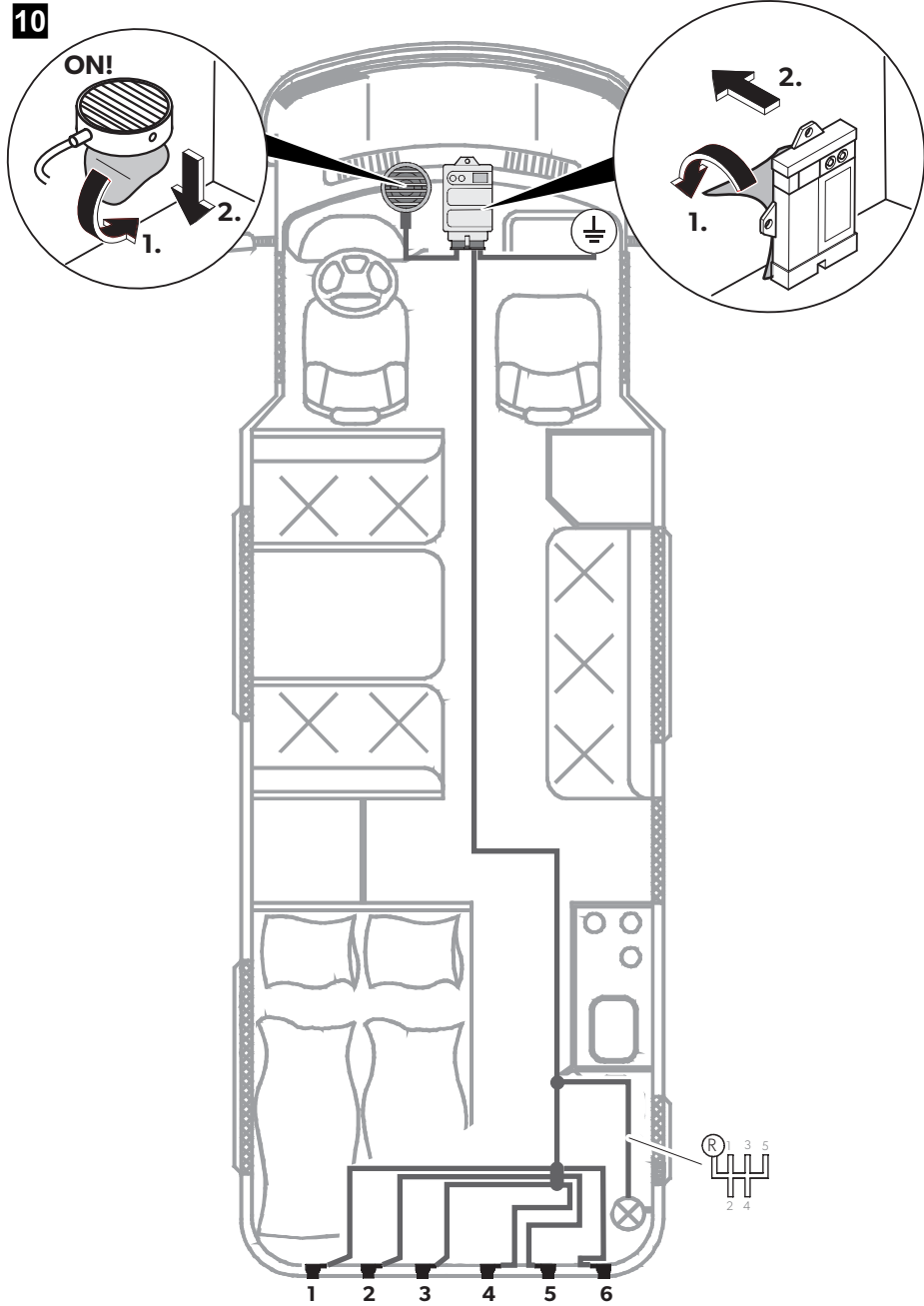


7

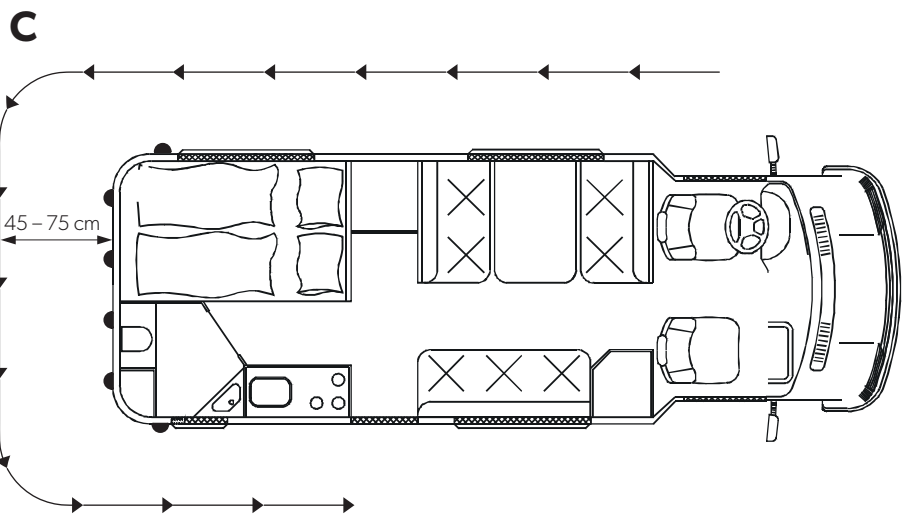
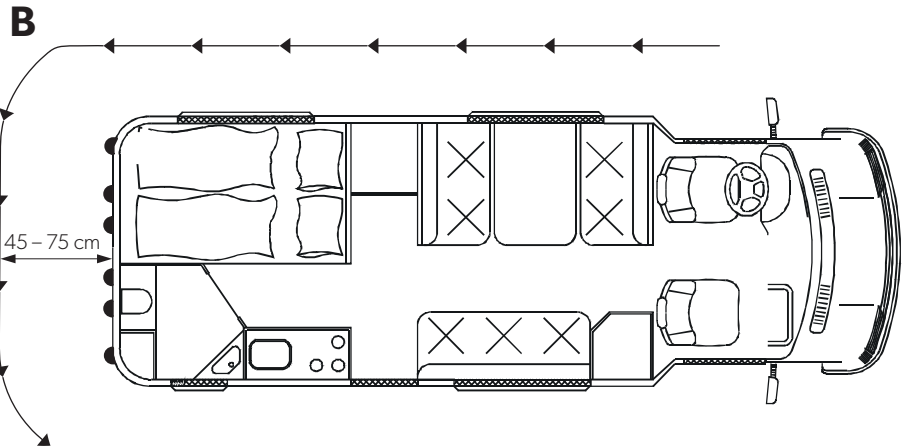
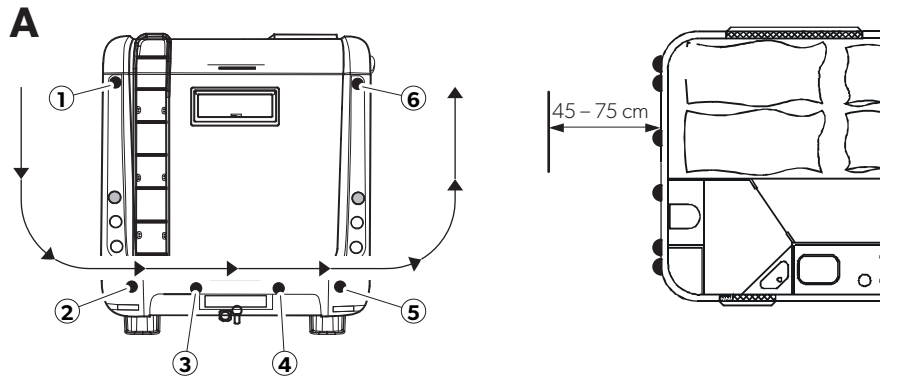


8

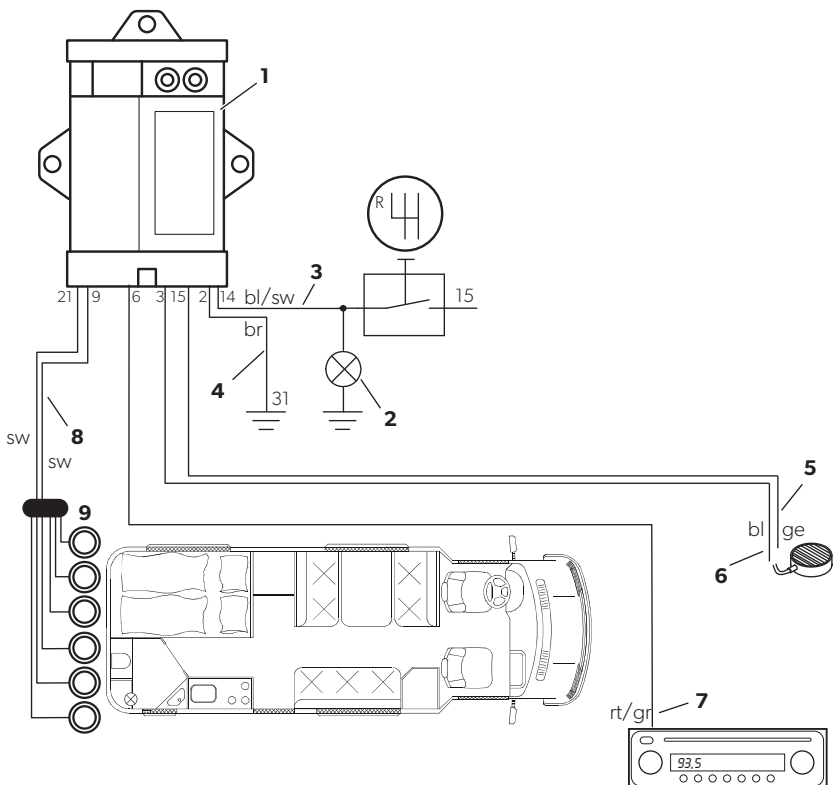
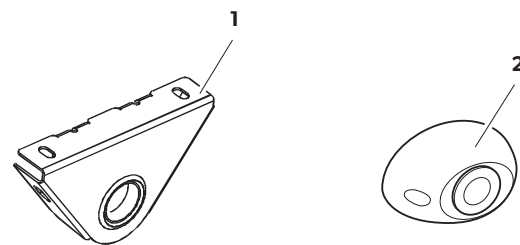


**9****10****12**

EN: 9	PT: 69	SV: 126	PL: 182
DE: 24	IT: 84	NO: 139	SK: 196
FR: 39	NL: 98	FI: 153	CS: 210
ES: 54	DA: 112	RU: 168	HU: 224

**11**

EN: 8	PT: 68	SV: 125	PL: 181
DE: 23	IT: 83	NO: 138	SK: 195
FR: 38	NL: 97	FI: 152	CS: 209
ES: 53	DA: 111	RU: 167	HU: 223

**13**

EN	DE	FR	ES	PT	IT	NL	DA
bl Blue	Blau	Bleu	Azul	Azul	Blu	Blauw	Blå
br Brown	Braun	Marron	Marrón	Castanho	Marrone	Bruin	Brun
ge Yellow	Gelb	Jaune	Amarillo	Amarelo	Giallo	Geel	Gul
gr Grey	Grau	Gris	Gris	Cinzent	Grigio	Grijs	Grå
rt Red	Rot	Rouge	Roj	Vermelho	Rosso	Rood	Röd
sw Black	Schwarz	Noir	Negro	Preto	Nero	Zwart	Sort

SV	NO	FI	PL	RU	SK	CS	HU
bl Blå	Blå	Sininen	Niebieski	Синий	Modrá	Modrá	Kék
br Brun	Brun	Ruskea	Brązowy	Коричневый	Hnedá	Hnědá	Barna
ge Gul	Gul	Keltainen	Żółty	Желтый	Žltá	Žlutá	Sárga
gr Grå	Grå	Harmaa	Zielony	Зеленый	Zelená	Zelená	Szürke
rt Röd	Röd	Punainen	Czerwony	Красный	Červená	Červená	Piros
sw Svart	Svart	Musta	Czarny	Черный	Čierna	Černá	Fekete

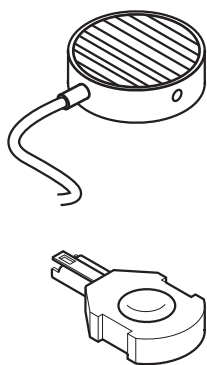
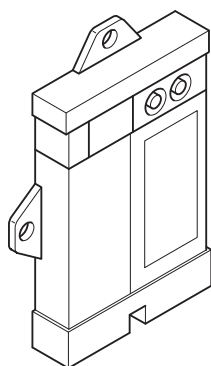


Dometic WAECO International GmbH
 Hollefeldstrasse 63
 D-48282 Emsdetten

www.dometic.com

↔ DOMETIC

SAFETY & SECURITY MAGICWATCH



MWE7006

EN	Parking aid Installation and Operating Manual 3
DE	Einparkhilfe Montage- und Bedienungsanleitung 17
FR	Aide au stationnement Instructions de montage et de service 32
ES	Sistema de ayuda para aparcar Instrucciones de montaje y de uso 47
PT	Sistema de ajuda de estacionamento Instruções de montagem e manual de instruções 62
IT	Ausilio per il parcheggio Istruzioni di montaggio e d'uso 77
NL	Inparkeerhulp Montagehandleiding en gebruiksaanwijzing 92
DA	Parkeringshjælp Monterings- og betjeningsvejledning . . . 106

SV	Parkeringshjælp Monterings- och bruksanvisning 120
NO	Parkeringshjælp Monterings- og bruksanvisning 133
FI	Parkkitutka Asennus- ja käyttöohje 147
RU	Парковочный радар Инструкция по монтажу и эксплуатации 161
PL	System parkowania Instrukcja montażu i obsługi 176
SK	Parkovací asistent Návod na montáž a uvedenie do prevádzky 190
CS	Parkovací asistent Návod k montáži a obsluze 204
HU	Parkolósegéd Szereelési és használati útmutató 218

Please read this instruction manual carefully before installation and first use, and store it in a safe place. If you pass on the product to another person, hand over this instruction manual along with it.

Table of contents

1	Explanation of symbols	4
2	Safety and installation instructions	4
3	Scope of delivery	5
4	Accessories	6
5	Intended use	6
6	Instructions before installation	6
7	Fitting the parking aid	7
8	Connecting the parking aid	8
9	Registering and identifying sensors	9
10	Detection range	10
11	Setting the system	11
12	Performing a functional test	12
13	Using the parking aid	13
14	Troubleshooting	13
15	Warranty	15
16	Disposal	15
17	Technical data	16

1 Explanation of symbols

**WARNING!**

Safety instruction: Failure to observe this instruction can cause fatal or serious injury.

**NOTICE!**

Failure to observe this instruction can cause material damage and impair the function of the product.

**NOTE**

Supplementary information for operating the product.

2 Safety and installation instructions

The following texts only complete the figures on the supplementary sheet. They do not contain the full installation and operating instructions. Please observe the figures on the supplementary sheet.

Please observe the prescribed safety instructions and stipulations from the vehicle manufacturer and service workshops.

Observe the applicable legal regulations.

The manufacturer accepts no liability for damage in the following cases:

- Damage to the product resulting from mechanical influences and excess voltage
- Alterations to the product without express permission from the manufacturer
- Use for purposes other than those described in the operating manual

**WARNING!**

- Secure the parts of the parking aid installed in the vehicle in such a way that they cannot become loose under any circumstances (sudden braking, accidents) and cause **injuries to the occupants** of the vehicle.
- Do not fit the parts of the parking aid installed where an airbag may open. This could cause injury if the airbag opens.
- The parking aid is intended as an additional aid, which means it does not relieve you of the obligation to take due care when manoeuvring.

**NOTICE!**

- Installing the parking aid can cause problems on vehicles with LED tail lights.
- If you would like to install the sensors on metal bumpers, you require suitable adapters (not included in the scope of delivery).
- Do not expose the control electronics to dampness.
- The control electronics must not be installed near other control modules.
- The sensors may not cover signal lamps.
- When fitting the sensors, make sure there are no objects fixed to the vehicle (such as a bicycle rack) that are in the detection range of the sensors.

3 Scope of delivery

See fig. **1**

No.	Quantity	Designation	Ref. no.
1	1	Control electronics	9101500069
2	1	Loudspeaker	
3	1	Control electronics connection cable	
4	1	Sensor distributor	9101500067
5	6	Ultrasonic sensors with connection cable	9101500070
6	6	0° sensor holder with cover ring	
7	6	10° sensor holder with cover ring	
-	2	Extension cable, 3 m	
-	1	Fastening material	

4 Accessories

Available as accessories (not included in the scope of delivery):

Designation	Ref. no.
Sensor holder for metal bumper	9101500015
Sensor extension cable, 1.5 m	9103555747
Subframe sensor holder (fig. 13 1)	9101500078
Rubber sensor holder for surface mounting (fig. 13 2)	9101500071
Loudspeaker	MWD-900
LED display	9101500079

5 Intended use

Dometic MWE 7006 (ref. no. 9600000359) is a parking aid based on ultrasound. When manoeuvring, it monitors the space behind the vehicle and provides an audible and visible warning signal for any obstacles it detects.

MWE 7006 is designed for installation in motor homes.

6 Instructions before installation

6.1 Painting the sensors

See fig. 2



NOTE

The sensors may be painted. The manufacturer recommends having the sensors painted by a specialist workshop.

6.2 Determining the place of installation for the sensors

See fig. 3 to fig. 6



NOTE

The sensors must be correctly aligned for the device to work properly. If they point to the ground, irregularities and bumps on the surface may be interpreted as obstacles. If they point too far up, obstacles will not be detected at all.

Note the following during installation:

- The area around the sensors must be free from other objects.
- The distance from the sensors to the ground should be at least 45 cm and a maximum of 60 cm (fig. 3).
- Note that the installation angle depends on the installation height. Select the right sensor holder and the appropriate drill diameter by consulting the table in fig. 3.
- If a bicycle rack has been fitted, then install the sensors at least 30 cm below it (fig. 4).

Supplement to fig. 6

- Observe the intervals between sensors.



NOTE

You can also distribute the sensors as shown in alternative B and C.

7 Fitting the parking aid

See fig. 7 to fig. 10

Supplement to fig. 8



NOTICE! Risk of malfunction!

Align the sensor holders so that the fastening lugs are horizontal. Otherwise, there is no guarantee the parking aid will function correctly.

- Push the sensor holders into the holes until they lock into place.

Supplementary to fig. 10

- Ensure that the loudspeaker is switched on (Middle or High position).

8 Connecting the parking aid

See fig. 11



NOTE

On some vehicles, the reversing light only works when the ignition is switched on. In this case, you must switch on the ignition to identify the positive and earth cables.

No.	Designation	Plug socket for plug
1	Control electronics	–
2	Reversing light	–
3	Blue/black cable: connection to the reversing light	14
4	Brown cable: connection to earth	2
5	Yellow wire from the loudspeaker	15
6	Blue wire from the loudspeaker	3
7	Red/grey cable: connection to the radio's mute connection (optional)	6
8	Sensors connection cable	9/21 (12/24) (10/22) (11/23)
9	Sensors	–

9 Registering and identifying sensors

The sensors and their position must be registered by the control unit. To do this, proceed as follows:

- Switch on the ignition.
- Engage the reverse gear.
- ✓ The control unit registers the sensors connected.
- ✓ The display on the control unit shows **LE**.
- ✓ The loudspeaker emits short acoustic signals repeatedly.

Once the registration is complete, **LE** flashes on the display. The sensors must now be identified by the control unit.

- Park the vehicle so that it is surrounded by at least 1.5 m of free space to ensure the sensors cannot detect any obstacles.
- Switch the ignition off and on again.
- Engage the reverse gear.
- Press both buttons on the control unit for more than three seconds.
- ✓ The control unit registers the sensors connected.

Once the registration is complete, the loudspeaker emits a long acoustic signal. The sensors must now be identified by the control unit.

The display shows a running light and the loudspeaker emits short acoustic signals repeatedly.

- Proceed as follows in accordance with the installation alternative you selected (fig. **6**):
 - Alternative A: Use a large object approx. 0.5 m² in size (e.g. a piece of sturdy paper) and go to sensors 1 to 6 successively (fig. **12** A)
 - Alternatives B and C: Starting at the driver's door, walk around the vehicle from the first to the last sensor (fig. **12** B and C).
- ✓ The loudspeaker acknowledges each sensor detected with a short acoustic signal.

Once identification is complete, the loudspeaker emits a long acoustic signal.



NOTE

If an error occurs during this procedure, you can restart the procedure by pressing both buttons together for longer than three seconds.

10 Detection range

See fig. 14

The detection range of the parking aid is divided into four zones:

- **Zone 1**
This zone is the first limit range. Small objects or those with poor reflective characteristics may not be detected here.
- **Zone 2**
Nearly all objects in this zone are displayed.
- **Zone 3**
Virtually all objects are displayed in this zone, but some objects may end up in the blind spot of the sensors.
- **Stop zone (4)**
If there are objects in this zone, the parking aid emits a continuous tone warning you to stop.
Virtually all objects are displayed in this zone, but some objects may end up in the blind spot of the sensors.
There must be no objects such as bicycle racks or spare wheels in the detection range of the sensors, as this would result in an incorrect display.
The display of fixed objects, such as a trailer coupling or a part of the spare wheel, can be suppressed (parameters 51, 52 and 53).

11 Setting the system

See fig. 14 to fig. 17



WARNING!

Incorrect settings can impair operational safety.

The control electronics have the following control elements:

No. in fig. 15	Designation		
1	Display	F5	Factory settings activated
		E5	Your own settings
2, 3	Buttons for setting the system		



NOTE

- To save the settings, disengage and engage the reverse gear and wait for 2 s.
- To cancel setting the parameters **without saving your changes**, or to stop the entire setting process: refrain from pressing any buttons for a while.

Restoring the factory settings

- ▶ Press the right-hand button for longer than 2 s to access programming mode.
- ▶ The display now shows *01*.
- ▶ Press both buttons for longer than two seconds.
- ✓ The display shows *F5*.

Suppressing use of a bicycle rack or trailer



NOTE

You can program PIN 17 either for switching over the stop zones **or** for deactivation when using a trailer.

You can use an external switch (not included in the scope of delivery) to:

- Switch over the standard stop zone (parameters **47**, **48** and **49**) to a higher stop zone (parameters **61**, **62** and **63**) if you are using a bicycle rack and this is being folded out.
- Deactivate the parking aid while you are using a trailer.

To do this, proceed as follows:

- Connect pin 17 of the connection cable plug to earth using the external switch.
- **For trailers only:** Set parameter **56** to **00**.

Suppressing the display of a trailer coupling or an external spare wheel

- Set the parameters **51**, **52** and **53** to suit your trailer coupling or your spare wheel.

12 Performing a functional test

Conduct the functional test of the sensors as follows:

- Switch on the ignition and engage the reverse gear.

Be very careful when you operate the device for the first time, and make sure that you familiarize yourself with the various sequences of beeps.



WARNING!

In zone 4, some obstacles may not be detected, because they are no longer within range of the sensors (design-related characteristic).

13 Using the parking aid

The sensors are activated automatically when you engage the reverse gear with the ignition on or the engine running. An activation signal is emitted (two short tones).

As soon as there is an obstacle within the detection range, a repeated signal tone is emitted.

As you approach, the tone sequence changes, depending on the zone in which the obstacle is, thereby indicating the distance.

Be very careful the first time you use the system, until you are familiar with the various sequences of beeps.



WARNING!

Stop the vehicle immediately and investigate the situation (getting out if necessary), if the following happens while you are manoeuvring: the device first indicates an obstacle and the tone sequence speeds up normally (e.g. from slow to medium) when manoeuvring, the signal tone suddenly slows down, or no obstacle is indicated at all.

This means that the original obstacle is in the blind spot of the sensors (construction-related characteristic), and there is still a potential for collision.

14 Troubleshooting

The device shows no function.

The cables to the reversing light are not connected or are not properly connected.

The plugs for the sensors are not connected or are not correctly plugged into the control electronics.

- ▶ Check the plugs and make sure they lock into place.

Low error tone for three seconds after engaging reverse gear

One or more sensors are defective or no longer connected to the control electronics. The display shows the defective sensor:

- for example, **E1** for sensor 1
Sensor 1 has the shortest connection cable, sensor 6 the longest.
- If more than one sensor is defective, they are shown in succession.
- Check the plugs and make sure they lock into place.
- Replace the defective sensor(s).



NOTICE!

The system does not work if one or more sensors are defective.

No acoustic signals

The loudspeaker is switched off, or incorrectly connected.

- Check whether the loudspeaker is switched on.
- Check whether the loudspeaker is connected correctly.
- Set parameter **01** to "1" or "2" (see chapter "Setting the system" on page 11).

Device indicates obstacles incorrectly

False alarms may have the following causes:

- Dirt or frost on the sensors.
- Clean the sensors.
- The sensors were incorrectly installed.
- Adjust the position of the sensors (fig. **3**).
- If necessary, use parameters **41**, **42** and **43** to adjust the sensitivity of the sensors (see chapter "Setting the system" on page 11).
- The sensors are in contact with the vehicle chassis.
- Separate the sensors from the chassis.

The spare wheel is causing false alarms

- Set the parameters **51**, **52** and **53** to suit your spare wheel (see chapter "Setting the system" on page 11).

Objects on the vehicle (e.g. spare wheel) are causing false alarms

- ▶ Set parameters **51**, **52** and **53** to suit your object to **00** or **01** (see chapter "Setting the system" on page 11).
- ▶ Adjust the stop zone using the parameters **47**, **48** and **49** to suit your object (see chapter "Setting the system" on page 11).

15 Warranty

The statutory warranty period applies. If the product is defective, please contact the manufacturer's branch in your country (see the back of the instruction manual for the addresses) or your retailer.

For repair and guarantee processing, please send the following items:

- Defect components
- A copy of the receipt with purchasing date
- A reason for the claim or description of the fault


16 Disposal

- ▶ Place the packaging material in the appropriate recycling waste bins wherever possible.



If you wish to finally dispose of the product, ask your local recycling centre or specialist dealer for details about how to do this in accordance with the applicable disposal regulations.

17 Technical data

MWE 7006	
Ref. no.:	9600000359
Detection range:	approx. 0.60 m up to 3 m
Ultrasound frequency:	58 kHz
Supply voltage:	10 – 32 V
Current:	Max. 350 mA
Operating temperature:	–35 °C to 70 °C
Certification:	



NOTE

The sensors may be painted. The manufacturer recommends having the sensors painted by a specialist workshop.

Bitte lesen Sie diese Anleitung vor Einbau und Inbetriebnahme sorgfältig durch und bewahren Sie sie auf. Geben Sie sie im Falle einer Weitergabe des Produktes an den Nutzer weiter.

Inhaltsverzeichnis

1	Erklärung der Symbole	18
2	Sicherheits- und Einbauhinweise	18
3	Lieferumfang	19
4	Zubehör	20
5	Bestimmungsgemäßer Gebrauch	20
6	Hinweise vor dem Einbau.	20
7	Einparkhilfe montieren	22
8	Einparkhilfe anschließen	23
9	Sensoren registrieren und identifizieren	24
10	Erfassungsbereich	25
11	System einstellen.	26
12	Funktion testen	27
13	Einparkhilfe benutzen	28
14	Fehler suchen	28
15	Gewährleistung	30
16	Entsorgung	30
17	Technische Daten	31

1 Erklärung der Symbole

**WARNUNG!**

Sicherheitshinweis: Nichtbeachtung kann zu Tod oder schwerer Verletzung führen.

**ACHTUNG!**

Nichtbeachtung kann zu Materialschäden führen und die Funktion des Produktes beeinträchtigen.

**HINWEIS**

Ergänzende Informationen zur Bedienung des Produktes.

2 Sicherheits- und Einbauhinweise

Die folgenden Texte ergänzen die Abbildungen auf dem Beiblatt lediglich. Sie alleine sind keine vollständigen Einbau- und Bedienungshinweise! Bitte beachten Sie unbedingt die Abbildungen auf dem Beiblatt!

Beachten Sie die vom Fahrzeughersteller und vom Kfz-Handwerk vorgeschriebenen Sicherheitshinweise und Auflagen!

Beachten Sie die geltenden gesetzlichen Vorschriften.

Der Hersteller übernimmt in folgenden Fällen keine Haftung für Schäden:

- Beschädigungen am Produkt durch mechanische Einflüsse und Überspannungen
- Veränderungen am Produkt ohne ausdrückliche Genehmigung vom Hersteller
- Verwendung für andere als die in der Anleitung beschriebenen Zwecke

**WARNUNG!**

- Befestigen Sie die im Fahrzeug montierten Teile der Einparkhilfe so, dass sie sich unter keinen Umständen (scharfes Abbremsen, Verkehrsunfall) lösen und zu **Verletzungen der Fahrzeuginsassen** führen können.
- Montieren Sie die im Fahrzeug montierten Teile der Einparkhilfe nicht im Wirkungsbereich eines Airbags. Sonst besteht Verletzungsgefahr, wenn der Airbag auslöst.

- Die Einparkhilfe soll Sie zusätzlich unterstützen, d. h. das Gerät entbindet Sie nicht von Ihrer besonderen Vorsichtspflicht beim Rangieren.



ACHTUNG!

- Bei Fahrzeugen mit LED-Rücklichtern kann der Einbau der Einparkhilfe zu Störungen führen.
- Wenn Sie die Sensoren in Metall-Stoßfänger montieren möchten, benötigen Sie geeignete Adapter (nicht im Lieferumfang enthalten).
- Die Steuerelektronik darf keiner Feuchtigkeit ausgesetzt sein.
- Die Steuerelektronik darf nicht in der Nähe von anderen Steuermodulen montiert werden.
- Die Sensoren dürfen keine Signallampen verdecken.
- Achten Sie bei der Montage der Sensoren darauf, dass sich keine am Fahrzeug festgebauten Objekte (z. B. Fahrradträger) im Erfassungsbereich der Sensoren befinden.

3 Lieferumfang

Siehe Abb. **1**

Nr.	Menge	Bezeichnung	Art.-Nr.
1	1	Steuerelektronik	9101500069
2	1	Lautsprecher	
3	1	Anschlusskabel Steuerelektronik	
4	1	Verteiler Sensoren	9101500067
5	6	Ultraschall-Sensoren mit Anschlusskabel	9101500070
6	6	Sensorhalter 0° mit Abdeckring	
7	6	Sensorhalter 10° mit Abdeckring	
–	2	Verlängerungskabel 3 m	
–	1	Befestigungsmaterial	

4 Zubehör

Als Zubehör erhältlich (nicht im Lieferumfang enthalten):

Bezeichnung	Art.-Nr.
Sensorhalter für Stoßfänger aus Metall	9101500015
Verlängerungskabel Sensor 1,5 m	9103555747
Unterbausensorhalter (Abb. 13 1)	9101500078
Gummisensorhalter für Aufbaumontage (Abb. 13 2)	9101500071
Lautsprecher	MWD-900
LED-Display	9101500079

5 Bestimmungsgemäßer Gebrauch

Dometic MWE 7006 (Art.-Nr. 9600000359) ist eine Einparkhilfe auf Ultraschallbasis. Sie überwacht beim Rangieren den Raum hinter dem Fahrzeug und warnt akustisch vor Hindernissen, die durch das Gerät erfasst werden.

MWE 7006 ist zum Einbau in Wohnmobile ausgelegt.

6 Hinweise vor dem Einbau

6.1 Sensoren lackieren

Siehe Abb. **2**



HINWEIS

Die Sensoren dürfen lackiert werden. Der Hersteller empfiehlt, die Lackierung der Sensoren von einer Fachwerkstatt vornehmen zu lassen.

6.2 Einbauort für die Sensoren festlegen

Siehe Abb. 3 bis Abb. 6



HINWEIS

Wichtig für die einwandfreie Funktion des Gerätes ist die korrekte Ausrichtung der Sensoren.

Wenn diese auf den Boden zeigen, werden z. B. Bodenunebenheiten als Hindernis angezeigt. Wenn sie zu weit nach oben zeigen, werden vorhandene Hindernisse nicht erkannt.

Beachten Sie Folgendes bei der Montage:

- Der Bereich um die Sensoren muss frei von anderen Objekten sein.
- Der Abstand der Sensoren zum Boden sollte mindestens 45 cm und maximal 60 cm betragen (Abb. 3).
- Beachten Sie, dass der Montagewinkel von der Montagehöhe abhängt. Wählen Sie entsprechend der Tabelle in Abb. 3 den passenden Sensorhalter sowie den zugehörigen Bohrdurchmesser.
- Wenn ein Fahrradträger montiert ist, montieren Sie die Sensoren mindestens 30 cm darunter (Abb. 4).

Ergänzung zu Abb. 6

► Beachten Sie die Abstände der Sensoren.



HINWEIS

Sie können die Sensoren auch so verteilen wie in Alternative B und C gezeigt.

7 Einparkhilfe montieren

Siehe Abb. **7** bis Abb. **10**

Ergänzung zu Abb. 8



ACHTUNG! Gefahr von Funktionsstörung!

Richten Sie die Sensorhalter so aus, dass die Befestigungsnasen waagrecht stehen. Anderenfalls ist die richtige Funktion der Einparkhilfe nicht gewährleistet.

- Schieben Sie die Sensorhalter in die Bohrungen, bis sie einrasten.

Ergänzung zu Abb. 10

- Stellen Sie sicher, dass der Lautsprecher eingeschaltet ist (Stellung „Middle“ oder „High“).

8 Einparkhilfe anschließen

Siehe Abb. 11



HINWEIS

Bei manchen Fahrzeugen funktioniert der Rückfahrscheinwerfer nur bei eingeschalteter Zündung. In diesem Fall müssen Sie die Zündung einschalten, um die Plus- und die Masseleitung zu bestimmen.

Nr.	Bezeichnung	Steckplatz Stecker
1	Steuerelektronik	-
2	Rückfahrscheinwerfer	-
3	Blau/schwarze Ader: Anschluss an den Rückfahrscheinwerfer	14
4	Braune Ader: Anschluss an Masse	2
5	Gelbe Ader vom Lautsprecher	15
6	Blaue Ader vom Lautsprecher	3
7	Rot/Graue Ader: Anschluss an den Mute-Anschluss des Radios (optional)	6
8	Anschlusskabel Sensoren	9/21 (12/24) (10/22) (11/23)
9	Sensoren	-

9 Sensoren registrieren und identifizieren

Die Sensoren und ihre Position müssen vom Steuergerät registriert werden. Gehen Sie hierzu wie folgt vor:

- Schalten Sie die Zündung ein.
- Legen Sie den Rückwärtsgang ein.
- ✓ Das Steuergerät registriert die angeschlossenen Sensoren.
- ✓ Das Display am Steuergerät zeigt **LE** an.
- ✓ Der Lautsprecher gibt wiederholt kurze akustische Töne aus.

Wenn die Registrierung abgeschlossen ist, blinkt die Anzeige **LE** auf dem Display. Nun müssen die Sensoren vom Steuergerät identifiziert werden.

- Stellen Sie das Fahrzeug so, dass rundum mindestens 1,5 m Platz frei bleibt, damit die Sensoren keine Hindernisse erfassen können.
- Schalten Sie die Zündung aus und wieder ein.
- Legen Sie den Rückwärtsgang ein.
- Drücken Sie beide Tasten am Steuergerät zusammen länger als drei Sekunden.
- ✓ Das Steuergerät registriert die angeschlossenen Sensoren.

Wenn die Registrierung abgeschlossen ist, gibt der Lautsprecher einen langen Ton aus. Nun müssen die Sensoren vom Steuergerät identifiziert werden.

Das Display zeigt ein Laufflicht, und der Lautsprecher gibt wiederholt kurze akustische Töne aus.

- Gehen Sie entsprechend Ihrer gewählten Montage-Alternative (Abb. **6**) wie folgt vor:
 - Alternative A: Verwenden Sie ein ca. 0,5 m² großes Objekt (z. B. ein Stück stabiler Pappe) und gehen die Sensoren 1 bis 6 nacheinander ab (Abb. **12 A**)
 - Alternative B und C: Gehen Sie von der Fahrertür aus um das Fahrzeug herum vom ersten bis bis zum letzten Sensor (Abb. **12 B** und C).
- ✓ Der Lautsprecher quittiert jeden erkannten Sensor mit einem kurzen Ton.

Wenn die Identifizierung abgeschlossen ist, gibt der Lautsprecher einen langen Ton aus.

**HINWEIS**

Wenn während des Vorgangs ein Fehler auftritt, können Sie den Vorgang neu starten, indem Sie beide Tasten zusammen länger als drei Sekunden drücken.

10 Erfassungsbereich

Siehe Abb. 14

Der Erfassungsbereich der Einparkhilfe ist in vier Zonen aufgeteilt:

- **Zone 1**
Diese Zone ist der erste Grenzbereich. Hier werden kleine oder schlecht reflektierende Gegenstände unter Umständen nicht erfasst.
- **Zone 2**
In dieser Zone werden nahezu alle Objekte angezeigt.
- **Zone 3**
In dieser Zone werden nahezu alle Objekte angezeigt, aber es können Gegenstände in den toten Winkel der Sensoren geraten.
- **Stoppzone (4)**
Objekte in dieser Zone führen dazu, dass die Einparkhilfe durch einen Dauerton „Stopp“ signalisiert.
In dieser Zone werden nahezu alle Objekte angezeigt, aber es können Gegenstände in den toten Winkel der Sensoren geraten.
Objekte wie z. B. Fahrradträger oder Ersatzräder dürfen sich nicht im Erfassungsbereich der Sensoren befinden, da sie zu einer fehlerhaften Anzeige führen würden.
Die Anzeige von festen Objekten wie z. B. einer Anhängerkupplung oder eines Teils des Reserverades kann unterdrückt werden (Parameter 51, 52 und 53).

11 System einstellen

Siehe Abb. 14 bis Abb. 17



WARNUNG!

Unsachgemäße Einstellungen können die sichere Funktion beeinträchtigen.

Die Steuerelektronik besitzt folgende Bedienelemente:

Nr. in Abb. 15	Bezeichnung	
1	Display	F5 Werkseinstellungen aktiviert
		ES Eigene Einstellungen vorgenommen
2, 3	Tasten zum Einstellen des Systems	



HINWEIS

- Um die Einstellungen zu speichern, kuppeln Sie aus, legen Sie den Rückwärtsgang ein und warten Sie 2 s.
- Um die Einstellung des Parameters abzubrechen, **ohne zu speichern**, oder um den gesamten Einstellvorgang zu beenden: Betätigen Sie längere Zeit keine Taste.

Werkseinstellung wiederherstellen

- ▶ Drücken Sie die rechte Taste länger als 2 s, um in den Programmiermodus zu gelangen.
- ▶ Das Display zeigt **01** an.
- ▶ Drücken Sie beide Tasten zusammen länger als zwei Sekunden.
- ✓ Das Display zeigt **F5** an.

Verwendung eines Fahrradträgers oder eines Anhängers unterdrücken



HINWEIS

Sie können PIN 17 entweder für das Umschalten der Stoppzonen **oder** für die Deaktivierung bei Verwendung eines Anhängers programmieren.

Sie können über einen externen Schalter (nicht im Lieferumfang enthalten) verwenden, um:

- die Standard-Stoppzone (Parameter **47**, **48** und **49**) auf eine höhere Stoppzone (Parameter **51**, **52** und **53**) umschalten, wenn Sie einen Fahrradträger verwenden und diesen ausklappen.
- die Einparkhilfe zu deaktivieren, während Sie einen Anhänger benutzen.

Gehen Sie hierzu wie folgt vor:

- Verbinden Sie Pin 17 des Steckers vom Anschlusskabel über den externen Schalter mit Masse.
- **Nur für Anhänger:** Stellen Sie die Parameter **56** auf den Wert **00**.

Anzeige einer Anhängerkupplung oder eines externen Reserverades unterdrücken

- Stellen Sie die Parameter **51**, **52** und **53** passend zu Ihrer Anhängerkupplung oder zu Ihrem Reserverad ein.

12 Funktion testen

Gehen Sie beim Funktionstest der Sensoren wie folgt vor:

- Schalten Sie die Zündung ein, und legen Sie den Rückwärtsgang ein.

Gehen Sie bei der Erstinbetriebnahme mit äußerster Vorsicht vor und machen Sie sich mit den verschiedenen Tonfolgen vertraut.



WARNUNG!

In Zone 4 kann es passieren, dass Hindernisse nicht mehr erkannt werden, da sie sich nicht mehr im Erfassungsbereich der Sensoren befinden (bauartbedingt).

13 Einparkhilfe benutzen

Die Sensoren werden automatisch durch Einlegen des Rückwärtsgangs aktiviert, wenn die Zündung eingeschaltet ist oder der Motor läuft. Ein Aktivierungssignal ertönt (zwei kurze Töne).

Sobald sich ein Hindernis im Erfassungsbereich befindet, ertönt ein sich gleichmäßig wiederholender Signalton.

Beim Heranfahen wird, je nachdem in welcher Zone sich das Hindernis gerade befindet, die Tonfolge geändert und somit eine Entfernung signalisiert.

Gehen Sie bei der Erstinbetriebnahme äußerst vorsichtig vor, um sich mit der Entfernungsangabe durch die verschiedenen Tonfolgen vertraut zu machen.



WARNUNG!

Halten Sie das Fahrzeug sofort an und prüfen Sie die Situation (ggf. aussteigen), wenn beim Rangieren Folgendes geschieht:

Beim Rangieren zeigt das Gerät zunächst ein Hindernis an, und die Tonfolge wird ganz normal schneller (z. B. Wechsel von der langsamen in die mittlere Tonfolge). Plötzlich springt der Signalton auf die langsame Tonfolge um oder zeigt überhaupt kein Hindernis mehr an.

Dies bedeutet, dass sich das ursprüngliche Hindernis nicht mehr im Erfassungsbereich der Sensoren befindet (bauartbedingt), aber immer noch angefahren werden kann.

14 Fehler suchen

Gerät zeigt keine Funktion

Die Anschlusskabel zum Rückfahrscheinwerfer haben keinen Kontakt oder sind vertauscht.

Die Stecker der Sensoren sind nicht oder nicht richtig in die Steuerelektronik eingesteckt.

- ▶ Prüfen Sie die Stecker und stecken Sie sie ggf. so auf, dass sie einrasten.

Tiefer Fehlerton für drei Sekunden nach Einlegen des Rückwärtsganges

Ein oder mehrere Sensoren sind defekt oder nicht mehr mit der Steuerelektronik verbunden. Das Display zeigt den defekten Sensor an:

- zum Beispiel **E1** für Sensor 1
Sensor 1 hat das kürzeste Anschlusskabel, Sensor 6 das längste.
- Wenn mehr als ein Sensor defekt ist, werden diese nacheinander angezeigt.
- Prüfen Sie die Stecker und stecken Sie sie ggf. so auf, dass sie einrasten.
- Tauschen Sie den oder die defekten Sensoren aus.



ACHTUNG!

Das System funktioniert nicht, wenn ein oder mehrere Sensoren defekt sind.

Keine akustischen Signale

Der Lautsprecher ist ausgeschaltet oder falsch angeschlossen.

- Prüfen Sie, ob der Lautsprecher eingeschaltet ist.
- Prüfen Sie, ob der Lautsprecher korrekt angeschlossen ist.
- Setzen Sie den Parameter **D1** auf den Wert „1“ oder „2“ (siehe Kapitel „System einstellen“ auf Seite 26).

Gerät meldet Hindernisse falsch

Folgende Ursachen können zu Fehlalarmen führen:

- Schmutz oder Frost auf den Sensoren.
- Reinigen Sie die Sensoren.
- Die Sensoren wurden falsch montiert.
- Passen Sie die Lage der Sensoren an (Abb. **3**).
- Stellen Sie ggf. mit den Parametern **41**, **42** und **43** die Empfindlichkeit der Sensoren ein (siehe Kapitel „System einstellen“ auf Seite 26).
- Die Sensoren haben Kontakt mit dem Fahrzeugchassis.
- Trennen Sie die Sensoren vom Chassis.

Das Ersatzrad führt zu Fehlalarmen

- Stellen Sie die Parameter **51**, **52** und **53** passend zu Ihrem Ersatzrad ein (siehe Kapitel „System einstellen“ auf Seite 26).

Objekte am Fahrzeug (z. B. Anhängerkupplung) führen zu Fehlalarmen

- Stellen Sie die Parameter **51**, **52** und **53** zu Ihrem Objekt passend auf den Wert **00** oder **01** (siehe Kapitel „System einstellen“ auf Seite 26).
- Verschieben Sie die Stopzone über die Parameter **47**, **48** und **49** passend zu dem Objekt ein (siehe Kapitel „System einstellen“ auf Seite 26).

15 Gewährleistung

Es gilt die gesetzliche Gewährleistungsfrist. Sollte das Produkt defekt sein, wenden Sie sich bitte an die Niederlassung des Herstellers in Ihrem Land (Adressen siehe Rückseite der Anleitung) oder an Ihren Fachhändler.

Zur Reparatur- bzw. Gewährleistungsbearbeitung müssen Sie Folgendes einschicken:

- defekte Komponenten,
- eine Kopie der Rechnung mit Kaufdatum,
- einen Reklamationsgrund oder eine Fehlerbeschreibung.


16 Entsorgung

- Geben Sie das Verpackungsmaterial möglichst in den entsprechenden Recycling-Müll.



Wenn Sie das Produkt endgültig außer Betrieb nehmen, informieren Sie sich bitte beim nächsten Recyclingcenter oder bei Ihrem Fachhändler über die zutreffenden Entsorgungsvorschriften.

17 Technische Daten

	MWE 7006
Art.-Nr.:	9600000359
Erfassungsbereich:	ca. 0,60 m bis zu 3 m
Ultraschallfrequenz:	58 kHz
Versorgungsspannung:	10 – 32 V
Stromaufnahme:	maximal 350 mA
Betriebstemperatur:	–35 °C bis +70 °C
Zulassung:	



HINWEIS

Die Sensoren dürfen lackiert werden. Der Hersteller empfiehlt, die Lackierung der Sensoren von einer Fachwerkstatt vornehmen zu lassen.

Veillez lire attentivement cette notice avant le montage et la mise en service. Veillez ensuite la conserver. En cas de passer le produit, veuillez le transmettre au nouvel acquéreur.

Table des matières

1	Explication des symboles	33
2	Consignes de sécurité et instructions de montage	33
3	Contenu de la livraison	34
4	Accessoires	35
5	Usage conforme	35
6	Consignes préalables au montage.	35
7	Montage de l'aide au stationnement	37
8	Raccordement de l'aide au stationnement	38
9	Enregistrer et identifier les détecteurs	39
10	Zone de détection	40
11	Réglage du système	41
12	Test du fonctionnement	42
13	Utilisation de l'aide au stationnement	43
14	Recherche des pannes	43
15	Garantie	45
16	Retraitement	45
17	Caractéristiques techniques	46

1 Explication des symboles



AVERTISSEMENT !

Consigne de sécurité : le non-respect de ces consignes peut entraîner la mort ou de graves blessures.



AVIS !

Le non-respect de ces consignes peut entraîner des dommages matériels et des dysfonctionnements du produit.



REMARQUE

Informations complémentaires sur l'utilisation du produit.

2 Consignes de sécurité et instructions de montage

Les textes suivants ne font que compléter les illustrations en annexe. Il ne s'agit pas d'instructions complètes de montage et d'utilisation ! Veuillez impérativement respecter les illustrations en annexe !

Respectez les consignes de sécurité et autres prescriptions imposées par le fabricant du véhicule et par les professionnels de l'automobile !

Respectez les consignes légales en vigueur.

Le fabricant décline toute responsabilité pour des dommages dans les cas suivants :

- des influences mécaniques et des surtensions ayant endommagé le matériel
- des modifications apportées au produit sans autorisation explicite de la part du fabricant
- une utilisation différente de celle décrite dans la notice



AVERTISSEMENT !

- Fixez les pièces de l'aide au stationnement installées dans le véhicule de manière à ce qu'elles ne puissent en aucun cas se desserrer (freinage abrupt, accident) et risquer de causer des **blessures aux occupants** du véhicule.
- N'installez pas les pièces de l'aide au stationnement dans le champ d'action d'un airbag, sans quoi elles risqueraient de blesser les passagers en cas d'enclenchement de l'airbag.

- L'aide au stationnement doit vous apporter une aide supplémentaire, c'est-à-dire que l'appareil ne vous dégage pas du devoir de prudence qui vous incombe lorsque vous faites une manœuvre.



AVIS!

- Sur les véhicules équipés de feux arrière LED, le montage de l'aide au stationnement peut entraîner des dysfonctionnements.
- Si vous souhaitez monter les détecteurs sur un pare-chocs métallique, il vous faut les adaptateurs adéquats (non compris dans la livraison).
- Tout montage du système de commande électronique à proximité d'autres modules de commande est formellement interdit.
- Veillez à ce que les électroniques de commande ne soient pas exposées à l'humidité.
- Veillez à ce qu'aucun détecteur ne cache les lampes de signalisation.
- Lors du montage des détecteurs, assurez-vous qu'aucun objet fixé sur le véhicule (comme un porte-vélos) ne se trouve dans la zone de détection.

3 Contenu de la livraison

Voir fig. 1

N°	Quantité	Désignation	N° d'article
1	1	Electronique de commande	9101500069
2	1	Haut-parleur	
3	1	Câbles de raccordement de l'électronique de commande	
4	1	Détecteurs du répartiteur	9101500067
5	6	Détecteurs à ultrasons avec câble de raccordement	9101500070
6	6	Support détecteur 0° avec anneau de couverture	
7	6	Support détecteur 10° avec anneau de couverture	
-	2	Rallonge de câble de 3 m	
-	1	matériel de fixation	

4 Accessoires

Disponibles en accessoires (non compris dans la livraison) :

Désignation	N° d'article
Support détecteur pour pare-chocs en métal	9101500015
Rallonge de câble du détecteur de 1,5 m	9103555747
Support pour détecteurs encastrés (fig. 13 1)	9101500078
Support détecteur en caoutchouc pour montage (fig. 13 2)	9101500071
Haut-parleur	MWD-900
Affichage LED	9101500079

5 Usage conforme

Dometic MWE 7006 (n° d'article 9600000359) est une aide au stationnement utilisant les ultrasons. Elle surveille l'espace restant derrière le véhicule lors d'une manœuvre et émet un avertissement sonore lorsque des obstacles sont détectés par l'appareil.

MWE 7006 est conçu pour être installé dans les caravanes.

6 Consignes préalables au montage

6.1 Peindre les détecteurs

Voir fig. 2



REMARQUE

Les détecteurs peuvent être peints. Le fabricant recommande de faire effectuer la peinture des détecteurs dans un garage spécialisé.

6.2 Déterminer l'emplacement de montage pour les détecteurs

Voir fig. **3** à fig. **6**



REMARQUE

Afin de permettre un fonctionnement parfait de l'appareil, il est important que les détecteurs soient correctement orientés. S'ils sont orientés vers le sol, par exemple, les irrégularités du sol seront signalées comme obstacles. S'ils sont trop orientés vers le haut, les obstacles existants risquent de ne pas être détectés.

Veillez respecter les consignes suivantes lors du montage :

- La zone autour des détecteurs doit être libre et dépourvue d'autres objets.
- La distance séparant les détecteurs du sol doit être de 45 cm au minimum et de 60 cm au maximum (fig. **3**).
- Veuillez noter que l'angle de montage varie selon la hauteur de montage. Dans le tableau de la fig. **3**, sélectionnez le support détecteur adapté ainsi que le diamètre de perçage correspondant.
- Si un porte-vélos est installé, les détecteurs doivent être montés 30 cm au minimum en-dessous (fig. **4**).

Complément defig. **6**

► Tenez compte de la distance entre les détecteurs.



REMARQUE

Vous avez la possibilité de répartir les détecteurs comme indiqué dans l'alternative B et C.

7 Montage de l'aide au stationnement

Voir fig. 7 à fig. 10

Complément defig. 8



AVIS ! Risque de dysfonctionnement !

Orientez les supports de détecteurs de telle sorte que les taquets de fixation soient à l'horizontale. Dans le cas contraire, le fonctionnement correct de l'aide au stationnement n'est pas garanti.

- Faites glisser les supports de détecteurs dans les trous, jusqu'à ce qu'ils s'enclenchent.

Complément de la fig. 10

- Assurez-vous que le haut-parleur est allumé (position « Middle » ou « High »).

8 Raccordement de l'aide au stationnement

Voir fig. 11



REMARQUE

Sur certains véhicules, le feu de recul ne fonctionne que lorsque le contact est mis. Dans ce cas, vous devez mettre le contact pour déterminer la ligne positive et la ligne de masse.

N°	Désignation	Emplacement connecteur
1	Electronique de commande	-
2	Feu de recul	-
3	Fil bleu/noir : raccordement au feu de recul	14
4	Fil marron : raccordement à la masse	2
5	Fil jaune du haut-parleur	15
6	Fil bleu du haut-parleur	3
7	Fil rouge/gris : raccordement au raccord mute de la radio (en option)	6
8	Câbles de raccordement des détecteurs	9/21 (12/24) (10/22) (11/23)
9	Détecteurs	-

9 Enregistrer et identifier les détecteurs

Les détecteurs et leur position doivent être enregistrés par l'unité de commande. Procédez comme suit :

- Mettez le contact.
- Enclenchez la marche arrière.
- ✓ L'unité de commande enregistre les détecteurs raccordés.
- ✓ L'écran de l'unité de commande affiche le message **LE**.
- ✓ Le haut-parleur émet de façon répétitive de brefs signaux sonores.

Lorsque l'enregistrement est terminé, l'affichage **LE** clignote sur l'écran. Maintenant les détecteurs doivent être identifiés par l'unité de commande.

- Positionnez le véhicule de telle sorte qu'il y ait un espace libre de 1,5 m au minimum tout autour, afin que les détecteurs ne puissent saisir aucun obstacle.
- éteignez et rallumez l'allumage.
- Enclenchez la marche arrière.
- Appuyez simultanément sur les deux touches de l'unité de commande pendant plus de trois secondes.
- ✓ L'unité de commande enregistre les détecteurs raccordés.

Lorsque l'enregistrement est terminé, le haut-parleur émet un long signal. Maintenant les détecteurs doivent être identifiés par l'unité de commande.

Un défilement lumineux apparaît sur l'écran et le haut-parleur émet à nouveau de façon répétitive de brefs signaux sonores.

- Selon l'alternative de montage que vous avez choisie, veuillez procéder comme suit (fig. **6**) :
 - Alternative A : Utilisez un objet d'un volume de 0,5 m² environ (p. ex. un morceau de carton rigide) et les détecteurs passent successivement de 1 à 6 (fig. **12** A)
 - Alternative B et C : Dirigez-vous de la portière du conducteur tout autour du véhicule, du premier jusqu'au dernier détecteur (fig. **12** B et C).
- ✓ Le haut-parleur confirme chaque détecteur reconnu avec un signal bref.

Lorsque l'identification est terminée, le haut-parleur émet un long signal.

**REMARQUE**

Si une erreur survient durant la procédure, vous pouvez recommencer en appuyant simultanément sur les deux touches pendant plus de trois secondes.

10 Zone de détection

Voir fig. 14

La zone de détection de l'aide au stationnement est répartie en quatre zones :

- **Domaine 1**

Cette zone est la première zone limite. Ici, les objets de petite taille ou se réfléchissant mal ne sont pas toujours détectés.

- **Domaine 2**

Dans cette zone, presque tous les objets sont signalés.

- **Domaine 3**

Dans cette zone, presque tous les objets sont signalés, mais il est possible que des objets se retrouvent dans l'angle mort des détecteurs.

- **Zone d'arrêt (zone 4)**

Les objets présents dans cette zone déclenchent un signal sonore permanent de l'aide au stationnement, signifiant « Stop ».

Dans cette zone, presque tous les objets sont signalés, mais il est possible que des objets se retrouvent dans l'angle mort des détecteurs.

Les objets tels que des porte-vélos ou des roues de secours ne doivent pas se trouver dans la zone de détection des détecteurs, car ils risquent d'entraîner un affichage erroné.

Il est possible de supprimer l'affichage d'objets fixes, par exemple un attelage de la remorque ou une partie de la roue de secours (paramètre 51, 52 et 53).

11 Réglage du système

Voir fig. 14 à fig. 17



AVERTISSEMENT !

Des réglages non conformes peuvent affecter la sûreté du fonctionnement.

L'électronique de commande dispose des éléments suivants :

N° sur la fig. 15	Désignation	
1	Écran	F5 réglages d'usine activés
		Ⓢ réglages personnalisés effectués
2, 3	Touches permettant le réglage du système :	



REMARQUE

- Pour enregistrer les paramètres, débrayez, enclenchez la marche arrière et attendez 2 sec.
- Pour annuler le réglage du paramètre, **sans le mémoriser**, ou pour terminer la procédure de réglage : n'actionnez aucune touche pendant une durée prolongée.

Rétablissement du réglage d'usine

- Appuyez sur la touche de droite pendant plus de 2 sec. pour accéder au mode Programmation.
- L'affichage indique « 01 ».
- Appuyez simultanément sur les deux touches pendant plus de deux secondes.
- ✓ L'affichage indique F5.

Suppression de l'utilisation d'un porte-vélos ou d'une remorque



REMARQUE

Vous pouvez programmer PIN 17 soit pour la commutation des zones d'arrêt **soit** pour la désactivation lors de l'utilisation d'une remorque.

Vous pouvez utiliser un commutateur externe (non compris dans la livraison) afin de :

- commuter les zones d'arrêt standard (paramètre **47**, **48** et **49**) sur une zone d'arrêt supérieure (paramètre **51**, **52** et **53**), si vous utilisez un porte-vélos que vous dépliez.
- désactiver l'aide au stationnement, en cas d'utilisation d'une remorque

Procédez comme suit :

- Raccordez Pin 17 du connecteur du câble de raccordement par l'interrupteur externe à la masse.
- **Uniquement pour la remorque** : Réglez le paramètre **55** sur la valeur **00**.

Suppression d'affichage d'un attelage de la remorque ou d'une roue de secours externe

- Réglez le paramètre **51**, **52** et **53** pour l'adapter à votre attelage de la remorque ou à votre roue de secours.

12 Test du fonctionnement

Procédez comme suit pour tester le fonctionnement des détecteurs :

- Mettez le contact et passez en marche arrière.

Lors de la mise en service initiale, vous devez agir avec prudence et vous familiariser avec les différentes fréquences d'émission des bips sonores.



AVERTISSEMENT !

Dans la zone 4, il peut arriver que des obstacles ne soient plus détectés, ceux-ci ne se trouvant plus dans la zone de détection des détecteurs (en raison de la forme des détecteurs).

13 Utilisation de l'aide au stationnement

Lorsque l'allumage est en marche ou que le moteur tourne, les détecteurs sont automatiquement activés dès que la marche arrière est enclenchée. Un signal d'activation retentit (deux bips brefs).

Un signal sonore retentit et se reproduit à intervalles réguliers dès qu'un obstacle se trouve dans la zone de détection.

Lorsque vous vous rapprochez de l'obstacle, la fréquence d'émission des bips sonores change en fonction de la zone dans laquelle se trouve l'obstacle et vous indique ainsi la distance restante.

Soyez prudent lors de la mise en service initiale afin de vous familiariser avec les distances qui correspondent aux différentes fréquences d'émission des bips sonores.



AVERTISSEMENT !

Arrêtez le véhicule et contrôlez immédiatement la situation (si nécessaire, descendez du véhicule) si les événements suivants se produisent lors d'une manœuvre :

Lors d'une manœuvre, l'appareil indique d'abord un obstacle et la fréquence des bips sonores augmente comme prévu (par exemple, passage de la fréquence lente à la fréquence moyenne). Le signal sonore passe tout à coup à la fréquence d'émission lente ou n'indique plus aucun obstacle.

Ceci signifie que l'obstacle initial ne se trouve plus dans la zone de détection des détecteurs (en raison de la forme des détecteurs), mais qu'une collision reste possible.

14 Recherche des pannes

L'appareil ne semble pas fonctionner.

Les câbles de raccordement au feu de recul ne sont pas raccordés ou sont inversés.

Les connecteurs mâles des détecteurs ne sont pas enfichés ou sont mal enfichés dans l'électronique de commande.

- Contrôlez les fiches et, si nécessaire, enfichez-les de manière à ce qu'elles soient enclenchées.

Bip d'erreur plus grave de trois secondes après le passage en marche arrière

Un ou plusieurs détecteurs sont défectueux ou ne sont plus reliés à l'électronique de commande. L'affichage indique le détecteur défectueux :

- par exemple **E1** pour le détecteur 1
Le détecteur 1 a le câble de raccordement le plus court, le détecteur 6 le plus long.
- Si plus d'un détecteur sont défectueux, ils seront affichés successivement.
- Contrôlez les fiches et, si nécessaire, enfichez-les de manière à ce qu'elles soient enclenchées.
- Remplacez le ou les détecteurs défectueux.



AVIS !

Le système ne fonctionne pas lorsqu'un ou plusieurs détecteurs sont défectueux.

Pas de signal sonore

Le haut-parleur est éteint ou mal raccordé.

- Vérifiez que le haut-parleur soit allumé.
- Vérifiez que le haut-parleur soit correctement raccordé.
- Réglez le paramètre **07** sur la valeur « 1 » ou « 2 » (voir chapitre « Réglage du système », page 41).

Le signalment des obstacles par l'appareil est erroné

Les causes suivantes peuvent entraîner de fausses alarmes :

- Saleté ou glace sur les détecteurs.
- Nettoyez les détecteurs.
- Les détecteurs sont mal montés.
- Adaptez la position des détecteurs (fig. **3**).
- Le cas échéant, à l'aide des paramètres **41**, **42** et **43** réglez la sensibilité des détecteurs (voir chapitre « Réglage du système », page 41).
- Les détecteurs sont en contact avec le châssis du véhicule.
- Séparez les détecteurs du châssis.

La roue de secours entraîne de fausses alarmes

- Réglez les paramètres **51**, **52** et **53** pour l'adapter à votre roue de secours (voir chapitre « Réglage du système », page 41).

Des objets au niveau du véhicule (p.ex. attelage de la remorque) entraînent de fausses alarmes

- Réglez les paramètres **51**, **52** et **53** pour l'adapter à votre objet sur la valeur **00** ou **01** (voir chapitre « Réglage du système », page 41).
- Décalez la zone d'arrêt sur les paramètres **47**, **48** et **49** pour l'adapter à l'objet (voir chapitre « Réglage du système », page 41).

15 Garantie

Le délai légal de garantie s'applique. Si le produit s'avérait défectueux, veuillez vous adresser à la filiale du fabricant située dans votre pays (voir adresses au verso du présent manuel) ou à votre revendeur spécialisé.

Pour toute réparation ou autre prestation de garantie, veuillez joindre à l'appareil les documents suivants :

- composants défectueux,
- une copie de la facture avec la date d'achat,
- le motif de la réclamation ou une description du dysfonctionnement.


16 Retraitement

- Jetez les emballages dans les conteneurs de déchets recyclables prévus à cet effet.



Lorsque vous mettez votre produit définitivement hors service, informez-vous auprès du centre de recyclage le plus proche ou auprès de votre revendeur spécialisé sur les prescriptions relatives au retraitement des déchets.

17 Caractéristiques techniques

	MWE 7006
N° d'article :	9600000359
Zone de détection :	0,60 m environ jusqu'à 3 m
Fréquence d'ultrasons :	58 kHz
Tension d'alimentation :	10 – 32 V
Intensité absorbée :	maximum 350 mA
Température de fonctionnement :	-35 °C à 70 °C
Certification :	



REMARQUE

Les détecteurs peuvent être peints. Le fabricant recommande de faire effectuer la peinture des détecteurs dans un garage spécialisé.

Lea detenidamente estas instrucciones antes de llevar a cabo la instalación y puesta en funcionamiento, y consérvelas en un lugar seguro. En caso de vender o entregar el producto a otra persona, entregue también estas instrucciones.

Índice

1	Explicación de los símbolos	48
2	Indicaciones de seguridad y montaje	48
3	Volumen de entrega	49
4	Accesorios	50
5	Uso adecuado	50
6	Indicaciones previas al montaje	50
7	Montaje del sistema de ayuda para aparcar	52
8	Conexión del sistema de ayuda para aparcar	53
9	Registrar e identificar los sensores	54
10	Área de detección	55
11	Ajuste del sistema	56
12	Comprobación del funcionamiento	57
13	Uso del sistema de ayuda para aparcar	58
14	Localización de averías	58
15	Garantía legal	60
16	Gestión de residuos	60
17	Datos técnicos	61

1 Explicación de los símbolos



¡ADVERTENCIA!

Indicación de seguridad: su incumplimiento puede acarrear la muerte o graves lesiones.



¡AVISO!

Su incumplimiento puede acarrear daños materiales y perjudicar el correcto funcionamiento del producto.



NOTA

Información adicional para el manejo del producto.

2 Indicaciones de seguridad y montaje

Los siguientes textos únicamente complementan las figuras de la hoja adjunta. ¡Estos textos de por sí no constituyen unas instrucciones completas de montaje y uso! ¡Es absolutamente necesario tener en cuenta las figuras representadas en la hoja adjunta!

¡Tenga en cuenta las indicaciones de seguridad y la documentación suministrada por el fabricante y el taller del vehículo!

Cumpla siempre las normas legales vigentes.

El fabricante declina toda responsabilidad ante daños ocurridos en los siguientes casos:

- daños en el producto debido a influencias mecánicas y sobretensiones
- modificaciones realizadas en el producto sin el expreso consentimiento del fabricante
- utilización del aparato para fines distintos a los descritos en las instrucciones



¡ADVERTENCIA!

- Fije bien las piezas del sistema de ayuda para aparcar montadas en el vehículo de modo que no se puedan soltar bajo ninguna circunstancia (frenadas bruscas, accidentes) ocasionando **heridas a los ocupantes del vehículo.**
- No monte en el área de acción de un airbag las piezas del sistema de ayuda para aparcar que se vayan a montar en el vehículo. De lo contrario, se correría peligro de sufrir lesiones si el airbag llegara a abrirse.

- El sistema de ayuda para aparcar sólo es una ayuda adicional, es decir, el aparato no le exime de tomar las debidas precauciones al maniobrar.



¡AVISO!

- En vehículos con luces LED de marcha atrás, el montaje del sistema de ayuda para aparcar puede provocar fallos.
- Si desea montar los sensores en el parachoques metálico, necesita adaptadores adecuados (no incluidos en el volumen de entrega).
- Las electrónicas de control no deben quedar expuestas a la humedad.
- La electrónica de control no se debe montar cerca de otros módulos de control.
- Los sensores no deben cubrir las luces de señalización.
- Al montar los sensores, asegúrese de que no haya accesorios montados en el vehículo (por ejemplo, soportes para bicicleta) en la zona de detección de los sensores.

3 Volumen de entrega

Véase fig. 1

N.º	Cantidad	Denominación	N.º de artículo
1	1	Electrónica de control	9101500069
2	1	Altavoz	
3	1	Cable de conexión de la electrónica de control	
4	1	Sensores del distribuidor	9101500067
5	6	Sensores de ultrasonido con cable de conexión	9101500070
6	6	Soporte de sensores a 0° con anilla	
7	6	Soporte de sensores a 10° con anilla	
-	2	Cable alargador de 3 m	
-	1	Material de fijación	

4 Accesorios

Disponibles como accesorio (no incluidos en el volumen de entrega):

Denominación	N.º de artículo
Soporte de sensores para parachoques metálico	9101500015
Cable alargador del sensor de 1,5 m	9103555747
Base del soporte del sensor (fig. 13 1)	9101500078
Soporte de goma del sensor para montaje (fig. 13 2)	9101500071
Altavoz	MWD-900
Pantalla LED	9101500079

5 Uso adecuado

Dometic MWE 7006 (n.º de artículo 9600000359) es un sistema de ayuda para aparcar que funciona con ultrasonido. Su función es vigilar durante la maniobra el espacio situado detrás del vehículo y de avisar acústicamente de los obstáculos que detecta.

MWE 7006 está diseñado para su montaje en autocaravanas.

6 Indicaciones previas al montaje

6.1 Pintar los sensores

Véase fig. 2



NOTA

Los sensores se pueden pintar. El fabricante recomienda que se encargue esta tarea a un taller especializado.

6.2 Determinar el lugar de montaje de los sensores

Véase de la fig. 3 a la fig. 6



NOTA

La colocación correcta de los sensores es importante para que el aparato funcione sin problemas.

Si los sensores señalan hacia el suelo, cualquier irregularidad del mismo se indicará como obstáculo. Si señalan demasiado hacia arriba, no se detectarán los obstáculos existentes.

Para el montaje tenga en cuenta los siguientes puntos:

- El área alrededor de los sensores debe estar libre de otros objetos.
- La distancia entre los sensores y el suelo debería ser de 45 cm como mínimo y 60 cm como máximo (fig. 3).
- Tenga en cuenta que el ángulo de montaje depende de la altura de montaje. Elija conforme a la tabla de la fig. 3 el soporte de sensores adecuado y el diámetro de broca que corresponda.
- Cuando está montado un soporte para bicicletas, instale los sensores al menos 30 cm por debajo del mismo (fig. 4).

Complementa la fig. 6

- Tenga en cuenta las distancias entre sensores.



NOTA

También puede distribuir los sensores como muestran las alternativas B y C.

7 Montaje del sistema de ayuda para aparcar

Véase de la fig. 7 a la fig. 10

Complementa la fig. 8



¡AVISO! ¡Peligro de fallo de funcionamiento!

Dirija los soportes de sensores de forma que las pestañas de fijación queden en posición horizontal. De otro modo, no queda garantizado el correcto funcionamiento del sistema de ayuda para aparcar.

- Introduzca los soportes de sensores en las perforaciones hasta que encajen.

Complementa la fig. 10

- Asegúrese de que el altavoz esté encendido (posición "Middle" o "High").

8 Conexión del sistema de ayuda para aparcar

Véase fig. 11



NOTA

En algunos vehículos, la luz de marcha atrás funciona solo con el encendido del vehículo conectado. En ese caso, deberá conectar el encendido para reconocer el cable positivo y el de masa.

N.º	Denominación	Conexión de la clavija
1	Electrónica de control	-
2	Luz de marcha atrás	-
3	Hilo conductor azul/negro: para conectar a la luz de marcha atrás	14
4	Hilo conductor marrón: conexión a masa	2
5	Hilo amarillo del altavoz	15
6	Hilo azul del altavoz	3
7	Hilo conductor rojo/gris: para conectar a la conexión Mute de la radio (opcional)	6
8	Cable de conexión de sensores	9/21 (12/24) (10/22) (11/23)
9	Sensores	-

9 Registrar e identificar los sensores

El dispositivo de control debe registrar los sensores y su posición. Para ello proceda de la siguiente manera:

- Conecte el encendido.
- Engrane la marcha atrás.
- ✓ El dispositivo de control registra los sensores conectados.
- ✓ La pantalla del dispositivo de control indica **LE**.
- ✓ El altavoz emite tonos breves de forma repetida.

Cuando se ha finalizado el registro, parpadea la indicación **LE** en la pantalla. Ahora, el dispositivo de control debe identificar los sensores.

- Coloque el vehículo de forma que tenga alrededor al menos 1,5 m de espacio libre para que los sensores no detecten obstáculos.
- Apague y vuelva a conectar el encendido.
- Engrane la marcha atrás.
- Pulse simultáneamente las dos teclas durante más de tres segundos.
- ✓ El dispositivo de control registra los sensores conectados.

Cuando haya concluido el registro, el altavoz emite un tono largo. Ahora, el dispositivo de control debe identificar los sensores.

La pantalla muestra un parpadeo lineal y el altavoz emite tonos breves repetidamente.

- Proceda como sigue, según la alternativa de montaje que haya seleccionado (fig. **6**):
 - Alternativa A: Utilice un objeto de aprox. 0,5 m² de tamaño (por ejemplo, un trozo de cartón duro) y vaya pasando sucesivamente por los sensores del 1 al 6 (fig. **12 A**)
 - Alternativa B y C: Dé la vuelta al vehículo desde la puerta del conductor pasando del primer al último sensor (fig. **12 B y C**).
- ✓ El altavoz confirma cada sensor detectado con un tono breve.

Cuando haya concluido la identificación, el altavoz emite un tono largo.



NOTA

Si se produce un error durante el proceso, lo puede volver a iniciar accionado ambos pulsadores a la vez durante más de tres segundos.

10 Área de detección

Véase fig. 14

El área de detección del sistema de ayuda para aparcar está dividida en cuatro zonas.

- **Zona 1**

Se trata de la primera zona límite. Dependiendo de las circunstancias, puede ser que en esta zona no se detecten obstáculos pequeños o con escasa capacidad de reflexión.

- **Zona 2**

En esta zona se muestran casi todos los objetos.

- **Zona 3**

En esta zona se muestran casi todos los objetos, aunque puede ocurrir que alguno se encuentre en el radio del ángulo muerto de los sensores.

- **Zona de parada (4)**

Los objetos que se encuentran en esta zona provocan que el sistema de ayuda para aparcar indique “parada” con una señal acústica constante.

En esta zona se muestran casi todos los objetos, aunque puede ocurrir que alguno se encuentre en el radio del ángulo muerto de los sensores.

Objetos como los soportes para bicicletas, por ejemplo, no pueden estar en la zona de detección de los sensores, ya que causarían una indicación equivocada.

La indicación de objetos fijos, como un enganche del remolque o una parte de la rueda de repuesto se puede suprimir (parámetros 51, 52 y 53).

11 Ajuste del sistema

Véase de la fig. 14 a la fig. 17



¡ADVERTENCIA!

Los ajustes que se realicen de forma indebida pueden afectar a la seguridad de funcionamiento.

La electrónica de control dispone de los siguientes elementos de mando:

N.º en fig. 15	Denominación	
1	Pantalla	F5 Ajustes de fábrica activados
		£5 Ajustes propios realizados
2, 3	Teclas para ajustar el sistema	



NOTA

- Para guardar los ajustes, desembrague, engrane la marcha atrás y espere 2 segundos.
- Para interrumpir el ajuste del parámetro **sin guardarlo** o para finalizar el proceso de ajuste: no active durante cierto tiempo ninguna tecla.

Restablecer el ajuste de fábrica

- ▶ Pulse la tecla derecha durante más de dos segundos para acceder al modo de programación.
- ▶ En la pantalla se visualiza 01.
- ▶ Pulse simultáneamente las dos teclas durante más de dos segundos.
- ✓ En la pantalla se visualiza F5.

Supresión de la utilización del soporte para bicicletas o remolque



NOTA

Puede programar el PIN 17 para cambiar las zonas de parada **o** para desactivar en caso de uso de un remolque.

Lo puede usar mediante un interruptor externo (no incluido) para:

- cambiar la zona de parada estándar (parámetros **47**, **48** y **49**) a otra más alta (parámetros **61**, **62** y **63**) cuando use un soporte para bicicletas y lo abra;
- desactivar el sistema de ayuda para aparcar cuando use un remolque.

Para ello proceda de la siguiente manera:

- Conecte el PIN 17 de la clavija del cable de conexión mediante un interruptor a masa.
- **Solo para remolques:** Ajuste el parámetro **56** al valor **00**.

Suprimir la indicación del enganche del remolque o de una rueda de repuesto colocada fuera

- Ajuste los parámetros **51**, **52** y **53** de forma adecuada a su enganche del remolque o su rueda de repuesto.

12 Comprobación del funcionamiento

En la prueba de funcionamiento de los sensores proceda de la siguiente manera:

- Conecte el encendido y engrane la marcha atrás.

Durante la primera puesta en funcionamiento proceda con especial cuidado y familiarícese con las distintas señales acústicas.



¡ADVERTENCIA!

En la zona 4 puede ocurrir que no se detecten los obstáculos si se encuentran fuera del área de detección de los sensores (depende del modelo).

13 Uso del sistema de ayuda para aparcar

Los sensores se activan automáticamente al engranar la marcha atrás si se ha accionado el encendido o si el motor está en marcha. Suena una señal de activación (dos señales acústicas cortas).

Cuando se detecta un obstáculo en la zona de detección, suena una señal que se repite a intervalos constantes.

Al acercarse por detrás, dependiendo de la zona en la que se encuentre el obstáculo en ese momento, la secuencia de señales acústicas cambiará indicando de esa forma la distancia.

Durante la primera puesta en funcionamiento preste especial atención para familiarizarse con las distintas señales acústicas que indican las distancias.



¡ADVERTENCIA!

Detenga el vehículo inmediatamente y compruebe la situación (salga del vehículo, si es necesario), si ocurre lo siguiente: durante la maniobra, el aparato indicará primero un obstáculo y la frecuencia de la señal es cada vez más rápida (por ejemplo, cambio de la frecuencia lenta a la media). De repente, la señal cambia a secuencia lenta o deja de indicar un obstáculo.

Esto significa que el obstáculo original ya no se encuentra dentro de la zona de detección de los sensores (según el modelo), pero todavía se puede chocar con él.

14 Localización de averías

El aparato no funciona.

Los cables de conexión conectados a la luz de marcha atrás no están conectados o están mal conectados.

Las clavijas de los sensores no están conectadas a la electrónica de control o están mal conectadas.

- Compruebe las clavijas y conéctelas bien encajadas.

Sonido grave de error durante tres segundos tras haber engranado la marcha atrás

Uno o más sensores están averiados o ya no están conectados a la electrónica de control. La pantalla indica el sensor averiado:

- por ejemplo, **E1** para el sensor 1
El sensor 1 tiene el cable de conexión más corto y el sensor 6, el más largo.
- Cuando más de un sensor está averiado, estos se indican sucesivamente.
- Compruebe las clavijas y conéctelas bien encajadas.
- Cambie los sensores averiados.



¡AVISO!

El sistema no funciona si uno o más sensores están averiados.

Sin señales acústicas

El altavoz está apagado o mal conectado.

- Compruebe que el altavoz está encendido.
- Compruebe que el altavoz está conectado correctamente.
- Defina los parámetros **D1** con el valor "1" o "2" (véase capítulo "Ajuste del sistema" en la página 56).

El aparato comunica obstáculos incorrectamente

Las siguientes causas pueden provocar falsas alarmas:

- Suciedad o helada en los sensores.
- Limpie los sensores.
- Los sensores están mal montados.
- Corrija la posición de los sensores (fig. **3**).
- Si es necesario, ajuste con los parámetros **41**, **42** y **43** la sensibilidad de los sensores (véase capítulo "Ajuste del sistema" en la página 56).
- Los sensores están en contacto con el chasis del vehículo.
- Separe los sensores del chasis.

La rueda de repuesto causa alarmas falsas

- ▶ Ajuste los parámetros **51**, **52** y **53** de forma adecuada a su rueda de repuesto (véase capítulo "Ajuste del sistema" en la página 56).

Los objetos del vehículo (por ejemplo, enganche del remolque) provocan falsas alarmas

- ▶ Ajuste los parámetros **51**, **52** y **53** de forma adecuada al objeto con el valor **00** o **01** (véase capítulo "Ajuste del sistema" en la página 56).
- ▶ Desplace la zona de parada con los parámetros **47**, **48** y **49** de forma adecuada al objeto (véase capítulo "Ajuste del sistema" en la página 56).

15 Garantía legal

Rige el plazo de garantía legal. Si el producto presenta algún defecto, diríjase a la sucursal del fabricante de su país (ver direcciones en el dorso de estas instrucciones) o a su establecimiento especializado.

Para la tramitación de la reparación y de la garantía debe enviar lo siguiente:

- componentes defectuosos,
- una copia de la factura con fecha de compra,
- el motivo de la reclamación o una descripción de la avería.


16 Gestión de residuos

- ▶ Deseche el material de embalaje en el contenedor de reciclaje correspondiente.



Cuando vaya a desechar definitivamente el producto, infórmese en el centro de reciclaje más cercano o en un comercio especializado sobre las normas pertinentes de eliminación de materiales.

17 Datos técnicos

	MWE7006
N.º de artículo:	9600000359
Zona de detección:	aprox. 0,60 m hasta 3 m
Frecuencia ultrasónica:	58 kHz
Tensión de alimentación:	10 – 32 V
Consumo de corriente:	máximo 350 mA
Temperatura de funcionamiento:	-35 °C hasta +70 °C
Homologación:	



NOTA

Los sensores se pueden pintar. El fabricante recomienda que se encargue esta tarea a un taller especializado.

Por favor, leia atentamente este manual antes da montagem e colocação em funcionamento do aparelho e guarde-o em local seguro. Em caso de transmissão do produto, entregue o manual ao novo utilizador.

Índice

1	Explicação dos símbolos	63
2	Indicações de segurança e de montagem	63
3	Material fornecido	64
4	Acessórios	65
5	Utilização adequada	65
6	Indicações prévias à montagem	65
7	Montar o sistema de ajuda de estacionamento	67
8	Ligar o sistema de ajuda de estacionamento	68
9	Registar e identificar os sensores	69
10	Área de deteção	70
11	Configurar o sistema	71
12	Testar o funcionamento	72
13	Utilizar o sistema de ajuda de estacionamento	73
14	Resolução de problemas	73
15	Garantia	75
16	Eliminação	75
17	Dados técnicos	76

1 Explicação dos símbolos

**AVISO!**

Indicação de segurança: o incumprimento pode provocar a morte ou ferimentos graves.

**NOTA!**

O incumprimento pode causar danos materiais e pode prejudicar o funcionamento do produto.

**OBSERVAÇÃO**

Informações suplementares sobre a operação do produto.

2 Indicações de segurança e de montagem

Os seguintes textos apenas complementam as figuras no suplemento. Em separado, não constituem instruções de montagem e operação completas! Tenha em preterivelmente em consideração as figuras no suplemento!

Cumpra as indicações de segurança e o especificado na literatura do fabricante automóvel e das associações profissionais!

Preste atenção às normas legais em vigor.

O fabricante não se responsabiliza por danos nos seguintes casos:

- Danos no produto resultantes de influências mecânicas e sobretensões
- Alterações ao produto sem autorização expressa do fabricante
- Utilização para outras finalidades que não as descritas no manual de instruções

**AVISO!**

- Fixe as peças do sistema de ajuda de estacionamento montadas no veículo de forma a que não se soltem em circunstância alguma (travagem busca, acidente de viação) o que poderia causar **ferimentos aos ocupantes do veículo**.
- Não monte as peças do sistema de ajuda de estacionamento montadas no veículo na área de atuação de um airbag. Caso contrário, podem ser provocados ferimentos se o airbag for ativado.

- O sistema de ajuda de estacionamento deve prestar-lhe um apoio adicional, ou seja, o aparelho não o dispensa de exercer especial prudência ao realizar manobras.

**NOTA!**

- Em veículos com faróis traseiros LED, a montagem do sistema de ajuda de estacionamento pode provocar falhas.
- Se quiser montar os sensores em para-choques de metal, é necessário um adaptador adequado (não incluído no material fornecido).
- As eletrónicas de controlo não podem ser expostas a nenhum tipo de humidade.
- O sistema eletrónico de controlo não pode ser montado próximo de outros módulos de controlo.
- Os sensores não podem cobrir nenhuma lâmpada de sinalização.
- Durante a montagem dos sensores, preste atenção para que nenhum objeto montado no veículo (por ex. suporte para bicicletas) se encontre na área de deteção dos sensores.

3 Material fornecido

Ver fig. **1**

N.º	Quantidade	Designação	N.º de artigo
1	1	Eletrónica de controlo	9101500069
2	1	Altifalante	
3	1	Cabo de conexão da eletrónica de controlo	
4	1	Distribuidor dos sensores	9101500067
5	6	Sensores ultra-sónicos com cabo de conexão	9101500070
6	6	Suporte de sensor 0° com anel de cobertura	
7	6	Suporte de sensor 10° com anel de cobertura	
-	2	Cabo de extensão 3 m	
-	1	Material de fixação	

4 Acessórios

Disponível como acessório (não consta do material fornecido):

Designação	N.º de artigo
Suporte de sensor para para-choques em metal	9101500015
Cabo de extensão do sensor com 1,5 m	9103555747
Suporte de sensor de montagem inferior (fig. 13 1)	9101500078
Suporte de sensor em borracha para montagem saliente (fig. 13 2)	9101500071
Altifalante	MWD-900
Mostrador LED	9101500079

5 Utilização adequada

O Dometic MWE 7006 (n.º de artigo 9600000359) é um sistema de ajuda de estacionamento baseado em ultrassom. O sistema monitoriza o espaço existente atrás do veículo durante as manobras e assinala obstáculos detetados pelo aparelho através de um sinal sonoro.

O MWE 7006 foi concebido para a montagem em autocaravanas.

6 Indicações prévias à montagem

6.1 Pintar os sensores

Ver fig. 2



OBSERVAÇÃO

Os sensores podem ser pintados. O fabricante recomenda que a pintura dos sensores seja realizada por uma oficina.

6.2 Determinar o local de montagem dos sensores

Ver fig. **3** até fig. **6**



OBSERVAÇÃO

É importante para o funcionamento adequado do aparelho que os sensores estejam alinhados corretamente.

Se estes apontarem para o chão, por exemplo as irregularidades do solo serão indicadas como obstáculo. Se apontarem demasiado para cima, os obstáculos existentes não serão reconhecidos.

Durante a montagem, respeite o seguinte:

- A área à volta dos sensores não pode conter outros objetos.
- A distância dos sensores em relação ao solo deve ser, no mínimo, 45 cm e, no máximo, 60 cm (fig. **3**).
- Atenção: o ângulo de montagem depende da altura de montagem. Selecione, de acordo com a tabela em fig. **3**, o suporte de sensor adequado e o respetivo diâmetro de perfuração.
- Se estiver montado um suporte para bicicletas, monte os sensores, pelo menos, 30 cm abaixo do mesmo (fig. **4**).

Complemento para fig. **6**

- Preste atenção às distâncias dos sensores.



OBSERVAÇÃO

Os sensores também podem ser distribuídos como ilustrado na alternativa B e C.

7 Montar o sistema de ajuda de estacionamento

Ver fig. **7** até fig. **10**

Complemento para fig. **3**



NOTA! Perigo de falha de funcionamento!

Posicione os suportes dos sensores para que os ganchos de fixação estejam na horizontal. Caso contrário, não está garantido o funcionamento correto do sistema de ajuda de estacionamento.

- Insira os suportes dos sensores nos furos até encaixarem.

Complemento para fig. **10**

- Certifique-se de que o altifalante está ligado (posição “Middle” ou “High”).

8 Ligar o sistema de ajuda de estacionamento

Ver fig. 11



OBSERVAÇÃO

em certo tipo de veículos os faróis de marcha-atrás apenas funcionam com a ignição ligada. Neste caso, deverá ligar a ignição para determinar o cabo positivo e o cabo terra.

N.º	Designação	Local de encaixe da ficha
1	Eletrónica de controlo	-
2	Faróis de marcha atrás	-
3	Fio azul/preto: conexão aos faróis de marcha-atrás	14
4	Fio castanho: conexão à terra	2
5	Fio amarelo do altifalante	15
6	Fio azul do altifalante	3
7	Fio vermelho/cinzento: conexão à conexão mute do rádio (opcional)	6
8	Cabo de conexão dos sensores	9/21 (12/24) (10/22) (11/23)
9	Sensores	-

9 Registrar e identificar os sensores

Os sensores e as suas posições têm de ser registados pelo aparelho de comando. Para esse efeito, proceda do seguinte modo:

- Ligue a ignição.
- Engate a marcha-atrás.
- ✓ O aparelho de comando regista os sensores conetados.
- ✓ O mostrador no aparelho de comando exhibe **LE**.
- ✓ O altifalante emite breves sinais acústicos repetidamente.

Quando o registo estiver concluído, no mostrador pisca a indicação **LE**. Agora, os sensores têm de ser identificados pelo aparelho de comando.

- Posicione o veículo de modo a existir um espaço livre de, pelo menos, 1,5 m à volta do veículo para os sensores não detetarem obstáculos.
- Desligue e volte a ligar a ignição.
- Engate a marcha-atrás.
- Prima ambas as teclas no aparelho de comando mais tempo do que três segundos.
- ✓ O aparelho de comando regista os sensores conetados.

Quando o registo estiver concluído, o altifalante emite um som prolongado. Agora, os sensores têm de ser identificados pelo aparelho de comando.

O mostrador exhibe uma luz sequencial e o altifalante emite breves sinais acústicos repetidamente.

- Proceda de acordo com a alternativa de montagem (fig. **6**) escolhida:
 - Alternativa A: Utilize um objeto grande com aprox. 0,5 m² (p.ex. uma folha de cartão resistente) e percorra sucessivamente os sensores de 1 a 6 (fig. **12 A**)
 - Alternativa B e C: A partir da porta do condutor dê a volta ao veículo, desde o primeiro até ao último sensor (fig. **12 B e C**).
- ✓ O altifalante confirma cada sensor detetado com um breve sinal acústico.

Quando a identificação estiver concluída, o altifalante emite um som prolongado.



OBSERVAÇÃO

Se durante o procedimento ocorrer um erro, a identificação pode ser reiniciada premindo ambos os botões durante mais de três segundos.

10 Área de deteção

Ver fig. 14

A área de deteção do sistema de ajuda de estacionamento está dividida em quatro zonas:

- **Zona 1**

Esta zona é a primeira área limítrofe. Aqui não são detetados objetos pequenos ou pouco refletores em algumas circunstâncias.

- **Zona 2**

Nesta zona são assinalados quase todos os objetos.

- **Zona 3**

Nesta zona são assinalados quase todos os objetos, mas é possível que alguns objetos fiquem nos ângulos mortos dos sensores.

- **Zona de paragem (4)**

Os objetos nesta zona fazem com que o sistema de auxílio ao estacionamento emita um sinal sonoro contínuo indicando “parar”.

Nesta zona são assinalados quase todos os objetos, mas é possível que alguns objetos fiquem nos ângulos mortos dos sensores.

Os objetos como, p.ex. suportes para bicicletas ou rodas sobressalentes não podem se encontrar na área de deteção dos sensores, pois podem causar indicações erradas.

A indicação de objetos sólidos como, p.ex. um gancho de reboque ou uma peça da roda sobressalente pode ser suprimida (parâmetro 51, 52 e 53).

11 Configurar o sistema

Ver fig. 14 até fig. 17



AVISO!

Configurações incorretas podem comprometer o correto funcionamento.

A eletrónica de controlo possui os seguintes elementos de comando:

N.º na fig. 15	Designação		
1	Mostrador	F5	Configurações de fábrica ativadas
		£5	Próprias configurações efetuadas
2, 3	Teclas para configurar o sistema		



OBSERVAÇÃO

- Para memorizar os ajustes, pise a embreagem, engrene a marcha atrás e aguarde 2 segundos.
- Para interromper a configuração dos parâmetros, **sem guardar**, ou para terminar todo o processo de configuração: não acione nenhum botão durante um longo período de tempo.

Restaurar a configuração de fábrica

- Prima a tecla direita durante mais de 2 segundos para ativar o modo de programação.
- O mostrador apresenta a indicação *01*.
- Prima ambas as teclas mais tempo do que dois segundos.
- ✓ O mostrador apresenta a indicação *F5*.

Suprimir a utilização de um suporte para bicicletas ou um atrelado



OBSERVAÇÃO

O PIN 17 pode ser programado para a comutação das zonas de paragem **ou** para a desativação se utilizar um atrelado.

Através da utilização de um interruptor externo (não incluído) pode-se:

- comutar a zona de paragem standard (parâmetro **47**, **48** e **49**) para uma zona de paragem superior (parâmetro **61**, **62** e **63**) se utilizar um suporte para bicicletas ou se bascular o mesmo para baixo.
- desativar o sistema de ajuda de estacionamento durante a utilização de um atrelado.

Para esse efeito, proceda do seguinte modo:

- ▶ Conete o Pin 17 da ficha do cabo de conexão através do interruptor externo à massa.
- ▶ **Apenas para atrelados:** Configure o parâmetro **56** para o valor **00**.

Suprimir um acoplamento de reboque ou uma roda sobressalente externa

- ▶ Configure os parâmetros **51**, **52** e **53** de acordo com o seu acoplamento de reboque ou a sua roda sobressalente.

12 Testar o funcionamento

Realize o teste de funcionamento dos sensores do seguinte modo:

- ▶ ligue a ignição e engate a marcha-atrás.

Durante a primeira colocação em funcionamento, proceda com extremo cuidado e familiarize-se com as diferentes sequências de sinais sonoros.



AVISO!

Na zona 4, pode suceder que os obstáculos deixem de ser detetados, uma vez que deixam de se encontrar na área de deteção dos sensores (conforme a estrutura).

13 Utilizar o sistema de ajuda de estacionamento

Os sensores são ativados automaticamente ao engrenar a marcha atrás se a ignição estiver ligada e o motor estiver em funcionamento. Ouve-se um sinal acústico (dois breves sons).

Assim que um obstáculo é detetado na área de deteção, é emitido um sinal sonoro que se repete de forma regular.

Ao recuar, dependendo da zona em que o obstáculo se encontra, a sequência de sinais sonoros é alterada para indicar o distanciamento.

Durante a primeira colocação em funcionamento, proceda com extremo cuidado para se familiarizar com os indicações de distância através das diversas sequências de sinais sonoros.



AVISO!

Pare o veículo imediatamente e verifique a situação (se necessário, saia do veículo) se, ao realizar manobras, acontecer o seguinte: o aparelho indica primeiro um obstáculo e a sequência de sinais sonoros torna-se mais rápida, como é normal (por exemplo, passagem de uma sequência de sinais sonoros lenta para uma média). De repente, a sequência de sinais sonoros fica lenta ou deixa de ser indicado um obstáculo.

Isto significa que o obstáculo original saiu da área de deteção dos sensores (conforme estiverem instalados) mas que ainda pode ser atingido.

14 Resolução de problemas

O aparelho não funciona

Os cabos de ligação ao farol de marcha-atrás não estão em contacto ou estão trocados.

Os conectores dos sensores não estão inseridos ou não estão inseridos corretamente na eletrónica de controlo.

► Verifique os conectores e insira-os, se necessário, até que encaixem.

Som de erro grave durante três segundos depois de engrenar a marcha atrás

Um ou mais sensores possuem uma avaria ou já não estão ligados à eletrónica de controlo. O mostrador indica o sensor com defeito:

- por exemplo, **E1** para o sensor 1
O sensor 1 possui o cabo de conexão mais curto e o sensor 6 o mais longo.
 - Se mais que um sensor estiverem avariados, os mesmos são indicados sucessivamente.
- Verifique os conectores e insira-os, se necessário, até que encaixem.
- Substitua o sensor ou os sensores com avaria.



NOTA!

O sistema não funciona se um ou mais sensores possuírem uma avaria.

Sem sinais acústicos

O altifalante está desligado ou conetado incorretamente.

- Verifique se o altifalante está ligado.
- Verifique se o altifalante está corretamente conetado.
- Configure o parâmetro **D1** para o valor "1" ou "2" (ver capítulo "Configurar o sistema" na página 71).

O aparelho identifica obstáculos incorretamente

As seguintes situações podem provocar avisos incorretos:

- sujidade ou geada nos sensores.
- Limpe os sensores.
- Os sensores foram montados incorretamente.
- Configure a posição dos sensores (fig. **3**).
- Eventualmente, com os parâmetros **41**, **42** e **43** configure a sensibilidade dos sensores (ver capítulo "Configurar o sistema" na página 71).
- Os sensores estão em contacto com o chassis do veículo.
- Separe os sensores do chassis.

A roda sobressalente provoca avisos incorretos

- ▶ Configure os parâmetros **51**, **52** e **53** de acordo com a sua roda sobressalente (ver capítulo “Configurar o sistema” na página 71).

Objetos no veículo (por exemplo acoplamento de reboque) provocam avisos incorretos

- ▶ Configure os parâmetros **51**, **52** e **53**, de acordo com o objeto, para o valor **00** ou **01** (ver capítulo “Configurar o sistema” na página 71).
- ▶ Desloque a zona de paragem através dos parâmetros **47**, **48** e **49** de acordo com o objeto (ver capítulo “Configurar o sistema” na página 71).

15 Garantia

É válido o prazo de garantia legal. Se o produto estiver com defeito, por favor, dirija-se à representação do fabricante no seu país (endereços, ver verso do manual) ou ao seu revendedor.

Para fins de reparação ou de garantia, terá de enviar os seguintes documentos:

- componentes com defeito,
- uma cópia da fatura com a data de aquisição,
- um motivo de reclamação ou uma descrição da falha.

16 Eliminação

- ▶ Sempre que possível, coloque o material de embalagem no respectivo contentor de reciclagem.



Para colocar o aparelho definitivamente fora de funcionamento, por favor, informe-se junto do centro de reciclagem mais próximo ou revendedor sobre as disposições de eliminação aplicáveis.

17 Dados técnicos

	MWE 7006
N.º de artigo:	9600000359
Área de deteção:	aprox. 0,60 m a 3 m
Frequência de ultrassom:	58 kHz
Tensão de alimentação:	10 – 32 V
Consumo de corrente:	no máximo 350 mA
Temperatura de funcionamento:	-35 °C a +70 °C
Certificação:	



OBSERVAÇÃO

Os sensores podem ser pintados. O fabricante recomenda que a pintura dos sensores seja realizada por uma oficina.

Prima di effettuare il montaggio e la messa in funzione leggere accuratamente questo manuale di istruzioni, conservarlo e in caso di trasmissione del prodotto, consegnarlo all'utente successivo.

Indice

1	Spiegazione dei simboli	78
2	Indicazioni di sicurezza e di montaggio	78
3	Dotazione	79
4	Accessori	80
5	Conformità d'uso	80
6	Indicazioni prima del montaggio	80
7	Montaggio dell'ausilio per il parcheggio	82
8	Collegamento dell'ausilio per il parcheggio	83
9	Registrazione e identificazione dei sensori	84
10	Campo di rilevamento	85
11	Impostazione del sistema	86
12	Controllo del funzionamento	87
13	Utilizzo dell'ausilio per il parcheggio	88
14	Ricerca dei guasti	88
15	Garanzia	90
16	Smaltimento	90
17	Specifiche tecniche	91

1 Spiegazione dei simboli

**AVVERTENZA!**

Avviso di sicurezza: la mancata osservanza di questo avviso può causare ferite gravi anche mortali.

**AVVISO!**

La mancata osservanza di questa nota può causare danni materiali e compromettere il funzionamento del prodotto.

**NOTA**

Informazioni integranti relative all'impiego del prodotto.

2 Indicazioni di sicurezza e di montaggio

Le seguenti istruzioni costituiscono unicamente un'integrazione alle figure allegate. Da sole non sono da considerarsi delle istruzioni per l'uso e il montaggio complete! Osservare sempre le figure allegate!

Osservare le indicazioni di sicurezza e le direttive previste dal produttore del veicolo e dagli specialisti del settore!

Attenersi alle prescrizioni di legge vigenti.

Il produttore non si assume nessuna responsabilità per danni nei seguenti casi:

- danni al prodotto dovuti a influenze meccaniche o a sovratensioni
- modifiche al prodotto senza esplicita autorizzazione del produttore
- impiego per altri fini rispetto a quelli descritti nel manuale di istruzioni

**AVVERTENZA!**

- Fissare i componenti dell'ausilio per il parcheggio montati nel veicolo in modo che non possano staccarsi, (ad es. in caso di frenate brusche o incidenti) e non possano portare al **ferimento dei passeggeri**.
- Non montare i componenti dell'ausilio per il parcheggio montati nel veicolo nella zona di attivazione dell'airbag. Altrimenti sussiste pericolo di ferimento se l'airbag scatta.
- L'ausilio per il parcheggio costituisce un aiuto ulteriore per il conducente, questo significa che l'uso dell'apparecchio non esula il conducente dal dovere di guidare con particolare prudenza durante l'esecuzione delle manovre.

**AVVISO!**

- In caso di veicoli con luci posteriori a LED, l'installazione dell'ausilio per il parcheggio può causare disturbi.
- Se si desidera montare i sensori nel paraurti in metallo, è necessario un adattatore adeguato (non in dotazione).
- I sistemi di controllo elettronico non devono essere esposti all'umidità.
- Il sistema di controllo elettronico non deve essere montato nelle vicinanze di altri moduli di controllo.
- I sensori non devono coprire le lampade di segnalazione.
- Durante il montaggio dei sensori, assicurarsi che gli oggetti fissati al veicolo (ad es. portabiciclette) non si trovino nel campo di rilevamento dei sensori.

3 Dotazione

Vedi fig. **1**

N.	Quantità	Denominazione	N. articolo
1	1	Sistema di controllo elettronico	9101500069
2	1	Altoparlante	
3	1	Cavo di collegamento del sistema di controllo elettronico	
4	1	Ripartitore per sensori	9101500067
5	6	Sensori a ultrasuoni con cavo di collegamento	9101500070
6	6	Supporti per sensori 0° con anello di copertura	
7	6	Supporti per sensori 10° con anello di copertura	
-	2	Cavo di prolunga 3 m	
-	1	Materiale di fissaggio	

4 Accessori

Disponibili come accessori (non in dotazione):

Denominazione	N. articolo
Supporto per sensori per paraurti in metallo	9101500015
Cavo di prolunga per sensore, 1,5 m	9103555747
Supporto per sensori (fig. 13 1)	9101500078
Supporto in gomma per sensori per montaggio di sovrastrutture (fig. 13 2)	9101500071
Altoparlante	MWD-900
Display a LED	9101500079

5 Conformità d'uso

Dometic MWE7006 (n. articolo 9600000359) è un ausilio per il parcheggio a ultrasuoni. Durante le manovre di retromarcia monitora lo spazio a disposizione dietro al veicolo avvertendo, tramite un segnale acustico, la presenza di ostacoli rilevati dall'apparecchio.

MWE7006 è realizzato per essere installato in camper.

6 Indicazioni prima del montaggio

6.1 Laccatura dei sensori

Vedi fig. 2



NOTA

I sensori possono essere verniciati. Il produttore raccomanda di fare verniciare i sensori da un'officina specializzata.

6.2 Scelta del luogo di installazione per i sensori

Vedi da fig. **3** a fig. **6**



NOTA

Di estrema importanza per un funzionamento perfetto dell'apparecchio è il corretto allineamento dei sensori.

Se questi sono direzionati verso il basso, vengono indicati come ostacoli ad es. le aplanarità del terreno. Se sono direzionati troppo verso l'alto, gli ostacoli presenti non verranno riconosciuti.

Osservare le seguenti indicazioni per il montaggio.

- La zona intorno ai sensori deve essere libera da altri oggetti.
- I sensori devono avere una distanza dal suolo minima di almeno 45 cm e massima di 60 cm (fig. **3**).
- Tenere presente che l'angolo di montaggio è in funzione dell'altezza di montaggio.
Sulla base della tabella in fig. **3** scegliere il supporto del sensore e il relativo diametro della punta.
- Se è montato un portabiciclette, montare i sensori almeno 30 cm sotto a quest'ultimo (fig. **4**).

Integrazione a fig. **6**

- Osservare le distanze dei sensori.



NOTA

È possibile distribuire i sensori anche come indicato nell'alternativa B e C.

7 Montaggio dell'ausilio per il parcheggio

Vedi da fig. 7 a fig. 10

Integrazione a fig. 8



AVVISO! Rischio di disturbo di funzionamento.

Orientare i supporti dei sensori in modo che i nottolini di fissaggio restino in posizione orizzontale. Altrimenti non è possibile garantire il corretto funzionamento dell'ausilio per il parcheggio.

- Inserire i supporti dei sensori nei fori finché non sono innestati.

Integrazione a fig. 10

- Assicurarsi che l'altoparlante sia acceso (posizione "Middle" o "High").

8 Collegamento dell'ausilio per il parcheggio

Vedi fig. **11**



NOTA

In alcuni veicoli il proiettore di retromarcia funziona solamente se l'accensione è inserita. In questo caso, per determinare il conduttore positivo e il conduttore di massa, è necessario inserire l'accensione.

N.	Denominazione	Slot per spina
1	Sistema di controllo elettronico	-
2	Proiettore di retromarcia	-
3	Filo blu/nero: collegamento al proiettore di retromarcia	14
4	Filo marrone: collegamento a massa	2
5	Filo giallo dell'altoparlante	15
6	Filo blu dell'altoparlante	3
7	Filo rosso/grigio: allacciamento al collegamento Mute della radio (opzione)	6
8	Sensori per il cavo di collegamento	9/21 (12/24) (10/22) (11/23)
9	Sensori	-

9 Registrazione e identificazione dei sensori

I sensori e la rispettiva posizione devono essere registrati dalla centralina. A questo scopo procedere come segue.

- Inserire l'accensione.
- Inserire la retromarcia.
- ✓ La centralina registra i sensori collegati.
- ✓ Il display indica **LE** sulla centralina.
- ✓ L'altoparlante emette ripetutamente brevi segnali acustici.

Se la registrazione è conclusa, sul display lampeggia **LE**. Ora i sensori devono essere identificati dalla centralina.

- Posizionare il veicolo in modo tale da consentire almeno uno spazio libero di 1,5 m affinché i sensori non rivelino ostacoli.
- Disinserire l'accensione e reinserirla.
- Inserire la retromarcia.
- Premere entrambi i tasti contemporaneamente sulla centralina per più di tre secondi.
- ✓ La centralina registra i sensori collegati.

A registrazione conclusa, l'altoparlante emette un suono lungo. Ora i sensori devono essere identificati dalla centralina.

Sul display appare una luce a scorrimento e l'altoparlante emette ripetuti segnali acustici brevi.

- Procedere come suggerisce l'alternativa di montaggio selezionata (fig. **6**):
 - alternativa A: utilizzare un oggetto di ca. 0,5 m² (ad es. un pezzo di cartone stabile) e passare i sensori in sequenza da 1 a 6 (fig. **12** A)
 - alternative B e C: Partendo dalla portiera del conducente passare intorno al veicolo dal primo sensore fino all'ultimo (fig. **12** B e C).
- ✓ L'altoparlante conferma ogni sensore riconosciuto con un breve segnale acustico.

A registrazione conclusa, l'altoparlante emette un segnale acustico lungo.

**NOTA**

Se durante questa operazione si presenta un errore è possibile riavviare la procedura premendo entrambi i tasti contemporaneamente per più di tre secondi.

10 Campo di rilevamento

Vedi fig. 14

Il campo di rilevamento dell'ausilio per il parcheggio è suddiviso in quattro zone.

- **Zona 1**

Questa zona rappresenta il primo campo limite. In questa zona non vengono rilevati gli oggetti di piccole dimensioni o che eventualmente si riflettono male.

- **Zona 2**

In questa zona vengono visualizzati quasi tutti gli oggetti.

- **Zona 3**

In questa zona vengono visualizzati quasi tutti gli oggetti, ma è possibile che alcuni ricadano nel punto morto dei sensori.

- **Zona di arresto (4)**

La presenza di oggetti in questa zona induce l'ausilio per il parcheggio a segnalare "Stop" con un segnale acustico continuo.

In questa zona vengono visualizzati quasi tutti gli oggetti, ma è possibile che alcuni ricadano nel punto morto dei sensori.

Oggetti, come ad es. portabiciclette o ruote di scorta, non devono trovarsi nel campo di rilevamento dei sensori, perché causerebbero una visualizzazione non corretta.

L'indicazione di oggetti fissi come ad es. di un gancio per rimorchio o di una parte della ruota di scorta può essere disattivata (parametri 51, 52 e 53).

11 Impostazione del sistema

Vedi da fig. 14 a fig. 17



AVVERTENZA!

Impostazioni non corrette possono compromettere un funzionamento sicuro.

Il sistema di controllo elettronico possiede i seguenti elementi di comando:

N. nella fig. 15	Denominazione		
1	Display	F5	Impostazioni di default attivate
		ES	Esecuzione delle impostazioni proprie
2, 3	Tasti per l'impostazione del sistema		



NOTA

- Per memorizzare le impostazioni, premere la frizione, inserire la retromarcia e attendere 2 s.
- Per interrompere l'impostazione del parametro, **senza memorizzarlo**, o per terminare il processo di impostazione completo: non premere per un certo intervallo di tempo alcun tasto.

Ripristino delle impostazioni di default

- ▶ Per accedere alla modalità di programmazione, premere il tasto a destra per più di 2 s.
- ▶ Il display indica 01.
- ▶ Premere entrambi i tasti contemporaneamente per più di due secondi.
- ✓ Sul display viene visualizzato F5.

Utilizzo di un portapacchi o disattivazione di un rimorchio



NOTA

È possibile programmare il PIN 17 o per commutare le zone di arresto **o** per la disattivazione quando si utilizza un rimorchio.

È possibile utilizzare un interruttore esterno (non in dotazione), per:

- la zona di arresto standard (parametro **47**, **48** e **49**) su una zona di arresto più alta (parametri **51**, **52** e **53**), se si utilizza un portabagagli e lo si vuole aprire.
- per disattivare un ausilio per il parcheggio mentre si utilizza un rimorchio.

A questo scopo procedere come segue.

- Collegare il pin 17 della spina dal cavo di collegamento alla massa mediante un interruttore esterno.
- **Solo per rimorchio:** Impostare il parametro **55** sul valore **00**.

Disattivazione dell'indicazione di un gancio per rimorchio o di una ruota di riserva esterna

- Impostare i parametri **51**, **52** e **53** adatti per il gancio per rimorchio o la ruota di scorta.

12 Controllo del funzionamento

Per eseguire il test di funzionamento dei sensori procedere come segue:

- Inserire l'accensione e innestare la retromarcia.

Durante la prima messa in funzione procedere con la massima cautela cercando di acquisire familiarità con le diverse sequenze di segnali acustici.



AVVERTENZA!

Nella zona 4 può capitare che gli ostacoli non vengano più riconosciuti poiché non si trovano più nel campo di rilevamento dei sensori (per costruzione).

13 Utilizzo dell'ausilio per il parcheggio

I sensori vengono attivati automaticamente inserendo la retromarcia, quando l'accensione è inserita o il motore è in funzione. Un segnale di attivazione emette un segnale acustico (due brevi segnali).

Appena un ostacolo si trova nel campo di rilevamento, viene emesso un segnale acustico che si ripete a intervalli regolari.

Durante l'avvicinamento, a seconda della zona in cui si trova l'ostacolo in quel momento, viene modificata la sequenza del segnale acustico e in questo modo viene segnalata una distanza.

Durante la prima messa in funzione procedere con la massima cautela per acquistare familiarità con l'indicazione della distanza mediante le diverse sequenze di segnali acustici.



AVVERTENZA!

Arrestare immediatamente il veicolo e controllare la situazione (eventualmente scendere), se durante le manovre si presentano le seguenti situazioni.

Durante le manovre l'apparecchio visualizza in primo luogo un ostacolo e la sequenza del segnale acustico diventa automaticamente più veloce (ad es. passaggio dalla sequenza lenta a quella media). Improvvisamente il segnale acustico passa a una sequenza lenta del segnale acustico oppure non indica più la presenza di ostacoli.

Questo significa che l'ostacolo iniziale non si trova più nel campo di rilevamento dei sensori (per caratteristiche di costruzione), ma che può essere ancora urtato.

14 Ricerca dei guasti

L'apparecchio non funziona

I cavi di allacciamento del proiettore di retromarcia non sono collegati fra di loro o sono stati scambiati.

Le spine dei sensori non sono inserite, oppure non sono inserite correttamente nel sistema di controllo elettronico.

- Controllare le spine ed eventualmente inserirle fino allo scatto.

Segnale acustico di errore profondo della durata di tre secondi una volta inserita la retromarcia

Uno o più sensori sono guasti o non sono più collegati al sistema di controllo elettronico. Sul display viene visualizzato il sensore guasto:

- ad esempio **E1** per il sensore 1
Il sensore 1 ha il cavo di allacciamento più corto, il sensore 6 quello più lungo.
- Se più di un sensore è guasto, verranno visualizzati uno dopo l'altro.
- Controllare le spine ed eventualmente inserirle fino allo scatto.
- Sostituire il sensore o i sensori guasto/i.



AVVISO!

Il sistema non funziona se risultano guasti uno o più sensori.

Nessun segnale acustico

L'altoparlante è spento o collegato non correttamente.

- Controllare se l'altoparlante è acceso.
- Controllare se l'altoparlante è collegato correttamente.
- Impostare il parametro **D1** sul valore "1" o "2" (vedi capitolo "Impostazione del sistema" a pagina 86).

L'apparecchio segnala gli ostacoli non correttamente

Le seguenti cause possono portare ad un falso allarme.

- Sporczia o gelo sui sensori.
- Pulire i sensori.
- I sensori non sono stati montati correttamente.
- Adattare la posizione dei sensori (fig. **3**).
- Impostare la sensibilità dei sensori eventualmente con i parametri **41**, **42** e **43** (vedi capitolo "Impostazione del sistema" a pagina 86).
- I sensori sono in contatto con il telaio del veicolo.
- Separare i sensori dal telaio.

La ruota di scorta causa falsi allarmi

- Impostare i parametri **51**, **52** e **53** adatti per la ruota di scorta (vedi capitolo "Impostazione del sistema" a pagina 86).

Oggetti posti sul veicolo (ad es. un gancio per rimorchio) causano falsi allarmi

- Impostare i parametri **51**, **52** e **53** per l'oggetto in questione adattandoli al valore **00** o **01** (vedi capitolo "Impostazione del sistema" a pagina 86).
- Spostare la zona di arresto mediante i parametri **47**, **48** e **49** adatti per l'oggetto (vedi capitolo "Impostazione del sistema" a pagina 86).

15 Garanzia

Vale il termine di garanzia previsto dalla legge. Qualora il prodotto risultasse difettoso, La preghiamo di rivolgersi alla filiale del produttore del suo Paese (l'indirizzo si trova sul retro del manuale di istruzioni), oppure al rivenditore specializzato di riferimento.

Per la riparazione o il disbrigo delle condizioni di garanzia è necessario inviare quanto segue:

- i componenti difettosi,
- una copia della fattura con la data di acquisto del prodotto,
- un motivo su cui fondare il reclamo, oppure una descrizione del guasto.


16 Smaltimento

- Raccogliere il materiale di imballaggio possibilmente negli appositi contenitori di riciclaggio.



Quando il prodotto viene messo fuori servizio definitivamente, informarsi al centro di riciclaggio più vicino, oppure presso il proprio rivenditore specializzato, sulle prescrizioni adeguate concernenti lo smaltimento.

17 Specifiche tecniche

	MWE7006
N. articolo:	9600000359
Campo di rilevamento:	da ca. 0,60 m a 3 m
Frequenza ultrasonora:	58 kHz
Tensione di alimentazione:	10 – 32 V
Corrente assorbita:	massimo 350 mA
Temperatura di esercizio:	da -35 °C a +70 °C
Omologazione:	



NOTA

I sensori possono essere verniciati. Il produttore raccomanda di fare verniciare i sensori da un'officina specializzata.

Lees deze handleiding voor de montage en de ingebruikname zorgvuldig door en bewaar hem. Geef de handleiding bij het doorgeven van het product aan de gebruiker.

Inhoudsopgave

1	Verklaring van de symbolen	93
2	Veiligheids- en montage-instructies	93
3	Omvang van de levering	94
4	Toebehoren	95
5	Gebruik volgens de voorschriften	95
6	Aanwijzingen vóór de inbouw	95
7	Parkeerhulp monteren	96
8	Parkeerhulp aansluiten	97
9	Sensoren registreren en identificeren	98
10	Detectiebereik	99
11	Systeem instellen	100
12	Werking testen	101
13	Parkeerhulp gebruiken	102
14	Storingen zoeken	102
15	Garantie	104
16	Afvoer	104
17	Technische gegevens	105

1 Verklaring van de symbolen



WAARSCHUWING!

Veiligheidsaanwijzing: Het niet naleven kan leiden tot overlijden of ernstig letsel.



LET OP!

Het niet naleven ervan kan leiden tot materiële schade en de werking van het product beperken.



INSTRUCTIE

Aanvullende informatie voor het bedienen van het product.

2 Veiligheids- en montage-instructies

De volgende teksten vullen de afbeeldingen in de bijlage slechts aan. Alleen vormen ze geen volledige montage- en gebruiksaanwijzing! Neem de bijgevoegde afbeeldingen in acht!

Leef de veiligheidsinstructies en voorschriften van de voertuigfabrikant en het garagebedrijf na!

Neem de geldende wettelijke voorschriften in acht.

De fabrikant kan in de volgende gevallen niet aansprakelijk worden gesteld voor schade:

- beschadiging van het product door mechanische invloeden en overspanningen
- veranderingen aan het product zonder uitdrukkelijke toestemming van de fabrikant
- gebruik voor andere dan de in de handleiding beschreven toepassingen



WAARSCHUWING!

- Bevestig de in het voertuig te monteren delen van de parkeerhulp zodanig, dat deze in geen geval (hard remmen, verkeersongeval) los kunnen raken en tot **verwondingen bij de inzittenden van het voertuig** kunnen leiden.
- Monteer de in het voertuig gemonteerde onderdelen van de parkeerhulp niet in het werkingsbereik van een airbag. Anders bestaat er verwondingsgevaar als de airbag opengaat.

- De parkeerhulp dient ter ondersteuning, d.w.z. dat het toestel u niet ontslaat van de plicht bijzonder voorzichtig te zijn bij het manoeuvreren.

**LET OP!**

- Bij voertuigen met LED-achterlichten kan de montage van de parkeerhulp tot storingen leiden.
- Als u de sensoren in metalen bumpers wilt monteren, heeft u een geschikte adapters (niet bij de levering inbegrepen) nodig.
- De dubbele besturingselektronica mag niet aan vocht blootgesteld zijn.
- De besturingselektronica mag niet in de omgeving van andere besturingsmodules gemonteerd worden.
- De sensoren mogen geen signaallampen bedekken.
- Let er bij de montage van de sensoren op dat zich geen aan het voertuig vastgemonteerde objecten (bijv. fietsenrek) in het detectiebereik van de sensoren bevinden.

3 Omvang van de levering

Zie afb. **1**

Nr.	Aantal	Omschrijving	Artikelnr.
1	1	Besturingselektronica	9101500069
2	1	Luidspreker	
3	1	Aansluitkabel besturingselektronica	
4	1	Verdeler sensoren	9101500067
5	6	Ultrasone sensoren met aansluitkabel	9101500070
6	6	Sensorhouder 0° met afdekking	
7	6	Sensorhouder 10° met afdekking	
–	2	Verlengkabel 3 m	
–	1	Bevestigingsmateriaal	

4 Toebehoren

Als toebehoren verkrijgbaar (niet bijgeleverd):

Omschrijving	Artikelnr.
Sensorhouder voor bumper van metaal	9101500015
Verlengkabel sensor 1,5 m	9103555747
Onderbouw-sensorhouder (afb. 13 1)	9101500078
Rubberen sensorhouder voor opbouwmontage (afb. 13 2)	9101500071
Luidspreker	MWD-900
Leddisplay	9101500079

5 Gebruik volgens de voorschriften

Dometic MWE7006 (artikelnr. 9600000359) is een parkeerhulp op ultrasone basis. Het apparaat bewaakt bij het rangeren de ruimte achter het voertuig en waarschuwt akoestisch voor hindernissen die door de sensoren worden gedetecteerd.

MWE7006 is ontworpen voor de montage in campers.

6 Aanwijzingen vóór de inbouw

6.1 Sensoren lakken

Zie afb. **2**



INSTRUCTIE

De sensoren mogen gelakt worden. De fabrikant adviseert om de sensoren door een vakkundige werkplaats te laten lakken.

6.2 Montageplek voor de sensoren bepalen

Zie afb. **3** tot afb. **6**



INSTRUCTIE

Voor een goede werking van het toestel is het belangrijk dat de sensoren juist afgesteld zijn.

Als deze naar de grond wijzen, worden bijv. bodemoneffenheden als obstakel aangegeven. Als ze te ver naar boven wijzen, worden aanwezige obstakels niet herkend.

Neem bij de montage het volgende in acht:

- Het bereik rond de sensoren moet vrij zijn van andere objecten.
- De afstand van de sensoren tot de grond moet minstens 45 cm en mag maximaal 60 cm bedragen (afb. **3**).
- Denk eraan dat de montagehoek van de montagehoogte afhangt. Kies volgens de tabel in afb. **3** de passende sensorhouder en de bijbehorende boordiameter.
- Als een fietsenrek gemonteerd is, monteer dan de sensoren minstens 30 cm eronder (afb. **4**).

Aanvulling bij afb. 6

- Houd rekening met de afstanden van de sensoren.



INSTRUCTIE

U kunt de sensoren ook zo verdelen als in alternatief B en C getoond.

7 Parkeerhulp monteren

Zie afb. **7** tot afb. **10**

Aanvulling bij afb. 8



LET OP! Gevaar voor functiestoring!

Stel de sensorhouders zo af dat de bevestigingspennen horizontaal staan. Anders is de goede werking van de parkeerhulp niet gegarandeerd.

- Schuif de sensorhouders in de boringen tot deze vastklikken.

Aanvulling bij afb. 10

- Zorg ervoor dat de luidspreker ingeschakeld is (stand „Middle” of „High”).

8 Parkeerhulp aansluiten

Zie afb. **11**



INSTRUCTIE

Bij sommige voertuigen functioneert het achteruitrijlicht alleen bij ingeschakeld contact. In dit geval dient u het contact in te schakelen om de plus- en de massaleiding te bepalen.

Nr.	Omschrijving	Steekplaats stekker
1	Besturingselektronica	-
2	Achteruitrijlicht	-
3	Blauw/zwarte ader: Aansluiting op het achteruitrijlicht	14
4	Bruine draad: aansluiting op massa	2
5	Gele ader van de luidspreker	15
6	Blauwe ader van de luidspreker	3
7	Rood/grijze ader: Aansluiting op de mute-aansluiting van de radio (optioneel)	6
8	Aansluitkabel sensoren	9/21 (12/24) (10/22) (11/23)
9	Sensoren	-

9 Sensoren registreren en identificeren

De sensoren en de positie ervan moeten door het stuurapparaat geregistreerd worden. Ga hiervoor als volgt te werk:

- Schakel het contact in.
- Zet het voertuig in de achteruitversnelling.
- ✓ Het stuurapparaat registreert de aangesloten sensoren.
- ✓ Het display aan het stuurapparaat geeft **LE** aan.
- ✓ Uit de luidspreker weerklinken meermaals korte akoestische signalen.

Als de registratie afgesloten is, knippert de indicatie **LE** op het display. Nu moeten de sensoren door het stuurapparaat geïdentificeerd worden.

- Plaats het voertuig zodanig dat rondom minstens 1,5 m plaats blijft, zodat de sensoren geen hindernissen kunnen raken.
- Schakel het contact uit en weer in.
- Zet het voertuig in de achteruitversnelling.
- Druk beide toetsen aan het stuurapparaat samen langer dan drie seconden in.
- ✓ Het stuurapparaat registreert de aangesloten sensoren.

Als de registratie afgesloten is, weerklinkt een lang signaal uit de luidspreker. Nu moeten de sensoren door het stuurapparaat geïdentificeerd worden.

Het display toont een looplicht en uit de luidspreker weerklinken meermaals korte akoestische signalen.

- Ga overeenkomstig uw gekozen montage-alternatief (afb. **6**) als volgt te werk:
 - Alternatief A: gebruik een ca. 0,5 m² groot object (bijv. een stevig karton) en ga de sensoren 1 tot 6 na elkaar af (afb. **12** A)
 - Alternatief B en C: ga van de bestuurdersdeur uit rond het voertuig van de eerste tot de laatste sensor (afb. **12** B en C).
- ✓ De luidspreker bevestigt elke herkende sensor met een kort signaal.

Als de identificatie afgesloten is, weerklinkt een lang signaal uit de luidspreker.



INSTRUCTIE

Als tijdens de procedure een fout optreedt, kunt u de procedure opnieuw starten door beide toetsen samen langer dan drie seconden in te drukken.

10 Detectiebereik

Zie afb. 14

Het detectiebereik van de parkeerhulp is in vier zones onderverdeeld:

- **Zone 1**

Deze zone omvat het eerste grensgebied. Hier worden kleine of slecht reflecterende objecten in sommige gevallen niet gedetecteerd.

- **Zone 2**

In deze zone worden vrijwel alle objecten aangegeven.

- **Zone 3**

In deze zone worden nagenoeg alle objecten aangegeven, er kunnen echter objecten in de dode hoek van de sensoren terechtkomen.

- **Stopzone (4)**

Objecten in deze zone zorgen ervoor dat de parkeerhulp door een permanente toon „Stop” doorgeeft.

In deze zone worden nagenoeg alle objecten aangegeven, er kunnen echter objecten in de dode hoek van de sensoren terechtkomen.

Objecten zoals bijv. fietsenrekken of reservewielen mogen niet in het detectiebereik van de sensoren voorkomen, omdat deze een foute weergave tot gevolg zouden hebben.

De weergave van vaste objecten, zoals bijv. van een aanhangerkoppeling of van een deel van het reservewiel kan onderdrukt worden (parameter 51, 52 en 53).

11 Systeem instellen

Zie afb. 14 tot afb. 17



WAARSCHUWING!

Ondeskundige instellingen kunnen de veilige werking beperken.

De besturingselektronica bezit de volgende bedieningselementen:

Nr. in afb. 15	Omschrijving		
1	Display	F5	Fabrieksinstellingen geactiveerd
		E5	Eigen instellingen uitgevoerd
2, 3	Toetsen voor het instellen van het systeem		



INSTRUCTIE

- Om de instellingen op te slaan, ontkoppelt u, schakelt u in achteruit en wacht u 2 s.
- Om de instelling van de parameter af te breken **zonder op te slaan**, of om de volledige instelprocedure te beëindigen: geruime tijd geen toetsen indrukken.

Fabrieksinstelling herstellen

- Druk langer dan twee seconden op de rechertoets om naar de programmeermodus te gaan.
- Het display geeft **01** aan.
- Druk langer dan twee seconden beide toetsen samen in.
- ✓ Het display geeft **F5** weer.

Gebruik van een fietsenrek of van een aanhanger onderdrukken



INSTRUCTIE

U kunt PIN 17 ofwel voor het omschakelen van de stopzones **of** voor de deactivering bij gebruik van een aanhanger programmeren.

U kunt via een externe schakelaar (niet in de omvang van de levering inbegrepen) gebruiken om:

- de standaard stopzone (parameter **47**, **48** en **49**) naar een hogere stopzone (parameter **51**, **52** en **53**) om te schakelen als u een fietsenrek gebruikt en deze uitklapt.
- de parkeerhulp te deactiveren terwijl u een aanhanger gebruikt.

Ga hiervoor als volgt te werk:

- Verbind pin 17 van de stekker van de aansluitkabel via de externe kabel met massa.
- **Alleen voor aanhangers:** zet de parameter **55** op de waarde **00**.

Weergave van een aanhangerkoppeling of van een extern reservewiel onderdrukken

- Stel de parameters **51**, **52** en **53** passend bij uw aanhangerkoppeling of bij uw reservewiel in.

12 Werking testen

Ga bij de functietest van de sensoren als volgt te werk:

- Schakel het contact in en schakel in de achteruitversnelling.

Ga bij de eerste ingebruikneming uiterst voorzichtig te werk en neem kennis van de verschillende toonreeksen.



WAARSCHUWING!

In zone 4 kan het voorkomen dat hindernissen niet meer worden herkend, omdat deze zich niet meer in het detectiebereik van de sensoren bevinden (afhankelijk van de vorm).

13 Parkeerhulp gebruiken

De sensoren worden automatisch geactiveerd door het voertuig in de achteruitversnelling te zetten als het contact ingeschakeld is of als de motor draait. Een active-ringssignaal weerklinkt (twee korte tonen).

Zodra zich in het detectiebereik een hindernis bevindt, klinkt een signaaltoon die in gelijke intervallen wordt herhaald.

Als de hindernis verder wordt genaderd, verandert de tonenreeks afhankelijk van de zone waarin de hindernis zich bevindt; op die manier wordt de afstand doorgegeven.

Handel bij de eerste ingebruikname uiterst voorzichtig om u met de afstands aanduiding door middel van de verschillende tonenreeksen vertrouwd te maken.



WAARSCHUWING!

Breng het voertuig onmiddellijk tot stilstand en controleer de situatie (evt. uitstappen), als bij het rangeren het volgende gebeurt: Bij het rangeren geeft het toestel eerst een hindernis aan en de tonenreeks wordt heel normaal sneller (bijv. overgang van de langzame in de middelste tonenreeks). Plotseling gaat de signaaltoon over in de langzame toonreeks of er wordt helemaal geen obstakel meer aangegeven. Dit betekent dat het oorspronkelijke obstakel zich niet meer in het detectiebereik van de sensoren bevindt (afhankelijk van de vorm), maar nog steeds kan worden genaderd.

14 Storingen zoeken

Het toestel functioneert niet

De aansluitkabels naar het achteruitrijlicht maken geen contact of zijn verwisseld.

De stekkers van de sensoren zijn niet of niet goed in de besturingselektronica gestoken.

- Controleer de stekkers en steek ze indien nodig zo ver in tot ze vastklikken.

Lage storingstoon voor drie seconden na het schakelen in de achteruitversnelling

Eén of meerdere sensoren zijn defect of niet meer verbonden met de besturings-elektronica. Het display geeft de defecte sensor weer:

- bijvoorbeeld **E1** voor sensor 1
Sensor 1 heeft de kortste aansluitkabel, sensor 6 de langste.
- Als er meer dan een sensor defect is, worden deze na elkaar weergegeven.
- Controleer de stekkers en steek ze indien nodig zo ver in tot ze vastklikken.
- Vervang de defecte sensor(en).



LET OP!

Het systeem functioneert niet als één of meerdere sensoren defect zijn.

Geen akoestische signalen

De luidspreker is uitgeschakelde of verkeerd aangesloten.

- Controleer of de luidspreker ingeschakeld is.
- Controleer of de luidspreker correct aangesloten is.
- Zet de parameter **07** op de waarde „1” of „2” (zie hoofdstuk „Systeem instellen” op pagina 100).

Toestel meldt obstakels verkeerd

De volgende oorzaken kunnen valse alarmen tot gevolg hebben:

- Vuil of vorst op de sensoren.
- Reinig de sensoren.
- De sensoren zijn verkeerd gemonteerd.
- Pas de positie van de sensoren aan (afb. **3**).
- Stel evt. met de parameters **41**, **42** en **43** de gevoeligheid van de sensoren in (zie hoofdstuk „Systeem instellen” op pagina 100).
- De sensoren maken contact met het voertuigchassis.
- Maak de sensoren van het chassis los.

Het reservewiel leidt tot valse alarmen

- Stel de parameters **51**, **52** en **53** passend bij uw reservewiel in (zie hoofdstuk „Systeem instellen” op pagina 100).

Objecten aan het voertuig (bijv. aanhangerkoppeling) leiden tot valse alarmen

- Stel de parameters **51**, **52** en **53** bij uw object passend op de waarde **00** of **01** (zie hoofdstuk „Systeem instellen” op pagina 100) in.
- Verplaats de stopzone via de parameters **47**, **48** en **49** passend bij het object (zie hoofdstuk „Systeem instellen” op pagina 100).

15 Garantie

De wettelijke garantieperiode is van toepassing. Als het product defect is, wendt u zich tot het filiaal van de fabrikant in uw land (adressen zie achterkant van de handleiding) of tot uw speciaalzaak.

Voor de afhandeling van de reparatie of garantie dient u het volgende mee op te sturen:

- defecte onderdelen,
- een kopie van de factuur met datum van aankoop,
- reden van de klacht of een beschrijving van de storing.


16 Afvoer

- Laat het verpakkingsmateriaal indien mogelijk recycleren.



Als u het product definitief buiten bedrijf stelt, informeer dan bij het dichtstbijzijnde recyclingcentrum of uw speciaalzaak naar de betreffende afvoervoorschriften.

17 Technische gegevens

	MWE 7006
Artikelnr.:	9600000359
Detectiebereik:	ca. 0,60 m tot 3 m
Ultrasone frequentie:	58 kHz
Voedingsspanning:	10 – 32 V
Stroomgebruik:	maximaal 350 mA
Bedrijfstemperatuur:	-35 °C tot +70 °C
Certificaat:	



INSTRUCTIE

De sensoren mogen gelakt worden. De fabrikant adviseert om de sensoren door een vakkundige werkplaats te laten lakken.

Læs denne vejledning omhyggeligt igennem før installation og ibrugtagning, og opbevar den. Giv den til brugeren, hvis du giver produktet videre.

Indholdsfortegnelse

1	Forklaring af symbolerne	107
2	Sikkerheds- og installationshenvisninger	107
3	Leveringsomfang	108
4	Tilbehør	109
5	Korrekt brug	109
6	Henvisninger før monteringen	109
7	Montering af parkeringshjælpen	110
8	Tilslutning af parkeringshjælpen	111
9	Registrering og identifikation af sensorerne	112
10	Registreringsområde	113
11	Indstilling af systemet	114
12	Funktionstest	115
13	Anvendelse af parkeringshjælpen	116
14	Fejlsøgning	116
15	Garanti	118
16	Bortskaffelse	118
17	Tekniske data	119

1 Forklaring af symbolerne



ADVARSEL!

Sikkerhedshenvisning: Manglende overholdelse kan medføre død eller alvorlig kvæstelse.



VIGTIGT!

Manglende overholdelse kan medføre materielle skader og begrænse produktets funktion.



BEMÆRK

Supplerende informationer om betjening af produktet.

2 Sikkerheds- og installationshenvvisninger

Følgende tekster supplerer udelukkende illustrationerne på tillægget. Alene er de ikke fuldstændige monterings- og betjeningshenvvisninger! Vær ubetinget opmærksom på illustrationerne på tillægget!

Overhold sikkerhedshenvisningerne og pålæggene, der er foreskrevet af køretøjsproducenten og af automobilbranchen!

Overhold de gældende retslige forskrifter.

Producenten påtager sig intet ansvar for skader i følgende tilfælde:

- Beskadigelser på produktet på grund af mekanisk påvirkning og overspænding
- Ændringer på produktet uden udtrykkelig tilladelse fra producenten
- Anvendelse til andre formål end dem, der er beskrevet i vejledningen



ADVARSEL!

- Fastgør de dele af parkeringshjælpen, der er monteret i køretøjet, så de under ingen omstændigheder (hård opbremsning, trafikuheld) kan løsne sig og føre til **kvæstelse af dem, der sidder i køretøjet.**
- Montér ikke parkeringshjælpens dele, der er monteret i køretøjet, i virkeområdet for en airbag. I modsat fald er der fare for kvæstelser, når airbaggen udløses.
- Parkeringshjælpen skal give dig ekstra støtte, dvs. apparatet fritager dig ikke fra din pligt til at udvise særlig forsigtighed, når du parkerer.

**VIGTIGT!**

- Ved køretøjer med lysdiodebaglygter kan monteringen af parkeringshjælpen medføre fejl.
- Hvis du ønsker at montere sensorerne i metal-kofangere, har du brug for en egnet adapter (ikke indeholdt i leveringsomfanget).
- Styreelektronikkerne må ikke udsættes for fugt.
- Styreelektronikken må ikke monteres i nærheden af andre styremoduler.
- Sensorer må ikke tildække signallamper.
- Sørg ved monteringen af sensorerne for, at der ikke findes objekter, der er fast monteret på køretøjet (f.eks. cykelholdere), i sensorernes registreringsområde.

3 Leveringsomfang

Se fig. 1

Nr.	Mængde	Betegnelse	Artikel-nr.
1	1	Styreelektronik	9101500069
2	1	Højtaler	
3	1	Tilslutningskabel styreelektronik	
4	1	Fordeler sensorer	9101500067
5	6	Ultralydssensorer med tilslutningskabel	9101500070
6	6	Sensorholder 0° med dækning	
7	6	Sensorholder 10° med dækning	
-	2	Forlænger-kabel 3 m	
-	1	Fastgørelsesmateriale	

4 Tilbehør

Kan fås som tilbehør (ikke indeholdt i leveringsomfanget):

Betegnelse	Artikel-nr.
Sensorholder til kofanger af metal	9101500015
Forlænger kabel sensor 1,5 m	9103555747
Undermonteret sensorholder (fig. 13 1)	9101500078
Gummisensorholder til påmontering (fig. 13 2)	9101500071
Højttaler	MWD-900
Lysdiodedisplay	9101500079

5 Korrekt brug

Dometic MWE 7006 (artikel-nr. 9600000359) er en parkeringshjælp på ultralyds-basis. Den overvåger området bag køretøjet, når der parkeres, og advarer akustisk mod hindringer, der registreres af apparatet.

MWE 7006 er beregnet til montering i autocampere.

6 Henvisninger før monteringen

6.1 Lakering af sensorerne

Se fig. 2



BEMÆRK

Sensorerne må lakeres. Producenten anbefaler at lade et autoriseret værksted lakere sensorerne.

6.2 Fastlæggelse af monteringsstedet for sensorerne

Se fig. 3 til fig. 6



BEMÆRK

For at apparatet fungerer fejlfrit, er det vigtigt, at sensorerne justeres korrekt.

Hvis de peger mod jorden, vises f.eks. ujævnheder på jorden som forhindring. Hvis de peger for langt op, registreres eksisterende forhindringer ikke.

Overhold følgende ved monteringen:

- Området omkring sensorerne skal være frit for andre objekter.
- Sensorernes afstand til jorden bør være på mindst 45 cm og maks. 60 cm (fig. 3).
- Vær opmærksom på, at monteringsvinklen afhænger af monteringshøjden. Vælg i henhold til tabellen i fig. 3 den passende sensorholder og den tilhørende bordiameter.
- Hvis der er monteret en cykelholder, skal du montere sensorerne mindst 30 cm under den (fig. 4).

Supplement til fig. 6

- Vær opmærksom på sensorernes afstande.



BEMÆRK

Du kan også fordele sensorerne som vist i alternativ B og C.

7 Montering af parkeringshjælpen

Se fig. 7 til fig. 10

Supplement til fig. 8



VIGTIGT! Fare for funktionsfejl!

Justér sensorholderne, så fastgørelseshagerne står vandret. I modsat fald er det ikke sikret, at parkeringshjælpen fungerer korrekt.

- Skub sensorholderne ind i hullerne, indtil de går i indgreb.

Supplement til fig. 10

- Kontrollér, at højttaleren er tændt (stilling „Middle“ eller „High“).

8 Tilslutning af parkeringshjælpen

Se fig. 11



BEMÆRK

Ved nogle køretøjer fungerer baklygten kun, når tændingen er slået til. I dette tilfælde skal du slå tændingen til for at bestemme plus- og stilledningen.

Nr.	Betegnelse	Stikplads stik
1	Styreelektronik	-
2	Baklygte	-
3	Blå/sort leder: Tilslutning til baklygten	14
4	Brun leder: Tilslutning til stel	2
5	Gule ledere fra højttaleren	15
6	Blå ledere fra højttaleren	3
7	Rød/grå leder: Tilslutning til radioens mute-tilslutning (option)	6
8	Tilslutningskabel sensorer	9/21 (12/24) (10/22) (11/23)
9	Sensorer	-

9 Registrering og identifikation af sensorerne

Sensorerne og deres position skal registreres af styreenheden. Gå frem på følgende måde:

- Slå tændingen til.
- Skift til bakgearet.
- ✓ Styreenheden registrerer de tilsluttede sensorer.
- ✓ Displayet på styreenheden viser **LE**.
- ✓ Højtaleren udsender korte akustiske toner flere gange.

Når registreringen er afsluttet, blinker visningen **LE** på displayet. Nu skal sensorerne identificeres af styreenheden.

- Indstil køretøjet, så der omkring det forbliver mindst 1,5 m plads fri, så sensorerne ikke kan registrere forhindringer.
- Slå tændingen fra og til igen.
- Skift til bakgearet.
- Tryk på begge taster på styreenheden samtidigt i mere end tre sekunder.
- ✓ Styreenheden registrerer de tilsluttede sensorer.

Når registreringen er afsluttet, udsender højtaleren en lang tone. Nu skal sensorerne identificeres af styreenheden.

Displayet viser et løbelys, og højtaleren udsender korte akustiske toner flere gange.

- Gå frem på følgende måde i overensstemmelse med monteringsalternativet, som du har valgt (fig. **6**):
 - Alternativ A: Anvend et ca. 0,5 m² stort objekt (f.eks. et stykke stabilt pap), og gennemgå sensorerne 1 til 6 efter hinanden (fig. **12** A)
 - Alternativ B og C: Start med førerdøren, og gå rundt om køretøjet fra den første til den sidste sensor (fig. **12** B og C).
- ✓ Højtaleren kvitterer enhver registreret sensor med en kort tone.

Når identificeringen er afsluttet, udsender højtaleren en lang tone.



BEMÆRK

Hvis der under proceduren forekommer en fejl, kan du starte proceduren igen ved at trykke på de to taster samtidigt i mere end tre sekunder.

10 Registreringsområde

Se fig. 14

Parkeringshjælpens registreringsområde er opdelt i fire zoner:

- **Zone 1**

Denne zone er det første grænseområde. Her registreres små eller dårligt reflekterende genstande under visse omstændigheder ikke.

- **Zone 2**

I denne zone vises næsten alle objekter.

- **Zone 3**

I denne zone vises næsten alle objekter, men genstande kan komme ind i sensorernes døde vinkel.

- **Stopzone (4)**

Objekter i denne zone medfører, at parkeringshjælpen signalerer „stop“ med en konstant tone.

I denne zone vises næsten alle objekter, men genstande kan komme ind i sensorernes døde vinkel.

Objekter som f.eks. cykelholdere eller reservehjul må ikke befinde sig i sensorernes registreringsområde, da de medfører en forkert visning.

Visningen af faste objekter som f.eks. en anhængerkobling eller en del af et reservehjul kan undertrykkes (parameter *51*, *52* og *53*).

11 Indstilling af systemet

Se fig. 14 til fig. 17



ADVARSEL!

Ukorrekte indstillinger kan påvirke den sikre funktion.

Styreelektronikken har følgende betjeningslementer:

Nr. på fig. 15	Betegnelse		
1	Display	F5	Fabriksindstillinger aktiveret
		£5	Egne indstillinger foretaget
2, 3	Taster til indstilling af systemet		



BEMÆRK

- Kobl ud for at gemme indstillingerne, skift til bakgearet, og vent i 2 sekunder.
- Afbrydelse af indstillingen af parameteren **uden at gemme** eller afslutning af hele indstillingen: Tryk ikke på nogen tast i længere tid.

Genetablering af fabriksindstillingen

- Tryk på den højre tast i mere end 2 sekunder for at komme til programmeringsmodusen.
- Displayet viser 01.
- Tryk på begge taster samtidig i mere end to sekunder.
- ✓ Displayet viser F5.

Undertrykkelse af anvendelse af en cykelholder eller en anhænger



BEMÆRK

Du kan programmere stikben 17 enten til omstillingen af stopzonerne **eller** til deaktivering, hvis der anvendes en anhænger.

Du kan anvende en ekstern kontakt (ikke indeholdt i leveringsomfanget) til at:

- indstille standard-stopzonen (parameter **47**, **48** og **49**) på en højere stopzone (parameter **61**, **62** og **63**), hvis du anvender en cykelholder og klapper den ud.
- deaktivere parkeringshjælpen, mens du benytter en anhænger.

Gå frem på følgende måde:

- Forbind stikben 17 på stikket på tilslutningskablet med stel via den eksterne kontakt.
- **Kun til anhænger:** Indstil parametrene **56** på værdien **00**.

Undertrykkelse af visning af en anhængerkobling eller et eksternt reservehjul

- Indstil parametrene **51**, **52** og **53**, så de passer til din anhængerkobling eller til dit reservehjul.

12 Funktionstest

Gå ved funktionstest af sensorerne frem på følgende måde:

- Slå tændingen til, og skift til bakgearet.

Gå frem med den største forsigtighed ved den første idrifttagning, og lær de forskellige tonesekvenser at kende.



ADVARSEL!

I zone 4 kan det forekomme, at forhindringer ikke længere registreres, da de ikke længere befinder sig i sensorernes registreringsområde (betinget af udførelsen).

13 Anvendelse af parkeringshjælpen

Sensorerne aktiveres automatisk, når der skiftes til bakgearret og tændingen er slået til eller motoren kører. Der lyder et aktiveringssignal (to korte toner).

Så snart der befinder sig en forhindring i registreringsområdet, lyder der en signaltone, der gentages regelmæssigt.

Afhængigt af hvilken zone forhindringen befinder sig i, ændres tonesekvensen og signaleres der dermed en afstand, når der køres.

Gå frem med den største forsigtighed ved den første idrifttagning for at lære afstandsangivelserne ved hjælp af de forskellige tonesekvenser at kende.



ADVARSEL!

Stands straks køretøjet, og kontrollér situationen (gå evt. ud), hvis følgende forekommer ved parkering:

Ved parkering viser apparatet først en forhindring, og tonesekvensen bliver helt normalt hurtigere (f.eks. skift fra den langsomme til den midterste tonesekvens). Pludselig skifter signaltonen til den langsomme tonesekvens eller viser overhovedet ingen forhindring mere.

Det betyder, at den oprindelige forhindring ikke længere befinder sig i sensorernes registreringsområde (betinget af udførelsen), men der kan stadig køres imod den.

14 Fejlsøgning

Apparatet viser ingen funktion

Tilslutningskablerne til baklygten har ingen kontakt eller er ombyttede.

Sensorernes stik er ikke sat i styreelektronikken eller ikke sat rigtigt i.

► Kontrollér stikkene, og sæt dem evt. i, så de går i indgreb.

Dyb fejltone i tre sekunder, når der skiftes til bakgear

En eller flere sensorer er defekte eller ikke længere forbundet med styre-elektronikken. Displayet viser den defekte sensor:

- F.eks. **E1** for sensor 1
Sensor 1 har det korteste tilslutningskabel, sensor 6 det længste.
- Hvis mere end en sensor er defekt, vises de efter hinanden.
- Kontrollér stikkene, og sæt dem evt. i, så de går i indgreb.
- Udskift den eller de defekte sensorer.



VIGTIGT!

Systemet fungerer ikke, hvis en eller flere sensorer er defekte.

Ingen akustiske signaler

Højttaleren er frakoblet eller tilsluttet forkert.

- Kontrollér, om højttaleren er tilkoblet.
- Kontrollér, om højttaleren er tilsluttet korrekt.
- Indstil parameteren **D1** på værdien „1” eller „2” (se kapitlet „Indstilling af systemet” på side 114).

Apparatet melder forhindringer forkert

Følgende årsager kan medføre fejlalarmer:

- Smuds eller frost på sensorerne.
- Rengør sensorerne.
- Sensorerne blev monteret forkert.
- Tilpas sensorernes position (fig. **3**).
- Indstil evt. sensorernes følsomhed med parametrene **41**, **42** og **43** (se kapitlet „Indstilling af systemet” på side 114).
- Sensorerne har kontakt med køretøjets chassis.
- Afbryd sensorerne fra chassiset.

Reservehjulet fører til falske alarmer

- Indstil parametrene **51**, **52** og **53**, så de passer til dit reservehjul (se kapitlet „Indstilling af systemet” på side 114).

Objekter på køretøjet (f.eks. anhængerkobling) fører til falske alarmer

- ▶ Indstil parametrene **51**, **52** og **53** på værdien **00** eller **01**, så de passer til dit objekt (se kapitlet „Indstilling af systemet“ på side 114).
- ▶ Forskyd stopzonen i parametrene **47**, **48** og **49**, så de passer til objektet (se kapitlet „Indstilling af systemet“ på side 114).

15 Garanti

Den lovbestemte garantiperiode gælder. Hvis produktet er defekt, skal du kontakte producentens afdeling i dit land (adresser, se vejledningens bagside) eller din forhandler.

Ved reparation eller krav om garanti skal du indsende følgende:

- Defekte komponenter
- En kopi af regningen med købsdato
- En reklamationsgrund eller en fejlbeskrivelse


16 Bortskaffelse

- ▶ Bortskaf så vidt muligt emballagen sammen med det tilsvarende genbrugsaffald.



Hvis du tager produktet endegyldigt ud af drift, skal du kontakte det nærmeste recyclingcenter eller din faghandel for at få de pågældende forskrifter om bortskaffelse.

17 Tekniske data

	MWE7006
Artikel-nr.:	9600000359
Registreringsområde:	ca. 0,60 m til 3 m
Ultralydsfrekvens:	58 kHz
Forsyningsspænding:	10 – 32 V
Strømforbrug:	Maks. 350 mA
Driftstemperatur:	-35 °C til +70 °C
Godkendelse:	

**BEMÆRK**

Sensorerne må lakeres. Producenten anbefaler at lade et autoriseret værksted lakere sensorerne.

Läs igenom anvisningarna noga innan produkten monteras och används. Spara monterings- och bruksanvisningen för senare bruk. Överlämna bruksanvisningen till den nya ägaren vid ev. vidareförsäljning.

Innehållsförteckning

1	Förklaring till symboler	121
2	Säkerhets- och monteringsanvisningar	121
3	Leveransomfattning.	122
4	Tillbehör	123
5	Ändamålsenlig användning	123
6	Före monteringen	123
7	Montera parkeringshjälpen	124
8	Ansluta parkeringshjälpen	125
9	Registrera och identifiera sensorer.	126
10	Avkänningsområde.	127
11	Ställa in systemet.	127
12	Funktionstest	129
13	Använda parkeringshjälpen	129
14	Felsökning	130
15	Garanti	131
16	Avfallshantering.	132
17	Tekniska data.	132

1 Förklaring till symboler

**VARNING!**

Observera: Beaktas anvisningen ej kan det leda till dödsfara eller svåra skador.

**OBSERVERA!**

Om anvisningarna inte beaktas kan det leda till materialskador och produktens funktion kan påverkas negativt.

**ANVISNING**

Kompletterande information om användning av produkten.

2 Säkerhets- och monteringsanvisningar

Följande texter kompletterar endast bilderna i bilagan. I sig är texterna inga fullständiga monterings- och användningsanvisningar! Beakta alltid bilderna i bilagan!

Beakta säkerhetsanvisningarna och riktlinjerna från fordonstillverkaren samt reglerna för bilmekaniska arbeten!

Beakta gällande lagar och bestämmelser.

Tillverkaren övertar inget ansvar för skador i följande fall:

- skador på produkten, orsakade av mekanisk påverkan eller överspänning
- ändringar som utförts utan uttryckligt medgivande från tillverkaren
- ej ändamålsenlig användning

**VARNING!**

- Fäst de delar till parkeringshjälpen som monteras inne i fordonet så att de inte kan lossna och **skada personerna i fordonet** (t.ex. vid kraftiga bromsningar, trafikolyckor).
- Se till att de delar av parkeringshjälpen som monteras inne i bilen inte monteras inom en krockkuddes utlösningssområde. Annars finns det risk för skador när krockkudden löser ut.
- Parkeringshjälpen är till för att underlätta parkeringen. Föraren måste dock ändå alltid iaktta största försiktighet under parkeringen.

**OBSERVERA!**

- På fordon med LED-bakljus kan det uppstå störningar när parkeringshjälpmonteras.
- Om sensorerna ska monteras på stötfångare av metall krävs lämpliga adapttrar (ingår inte i leveransen).
- Styrenheten får inte utsättas för fukt.
- Styrelektroniken får inte monteras i närheten av andra styrmoduler.
- Se till att sensorerna inte täcker över några signallampor.
- När sensorerna monteras: se till att inga föremål som sitter fast på fordonet (t.ex. cykelhållare) hamnar inom sensorernas avkänningsområde.

3 Leveransomfattning

Se bild **1**

Nr	Mängd	Beteckning	Artikelnr
1	1	Styrenhet	9101500069
2	1	Högtalare	
3	1	Anslutningskabel, styrenhet	
4	1	Fördelare, sensorer	9101500067
5	6	Ultraljudssensorer med anslutningskabel	9101500070
6	6	Sensorhållare 0° med täckring	
7	6	Sensorhållare 10° med täckring	
-	2	Förlängningskabel 3 m	
-	1	Fastsättningsmaterial	

4 Tillbehör

Följande tillbehör finns tillgängliga (ingår inte i leveransen):

Beteckning	Artikelnr
Sensorhållare för stötfångare av metall	9101500015
Förlängningskabel, sensor 1,5 m	9103555747
Sensorhållare för understruktur (bild 13 1)	9101500078
Gummisensorhållare för ytmontering (bild 13 2)	9101500071
Högtalare	MWD-900
LED-display	9101500079

5 Ändamålsenlig användning

Dometic MWE 7006 (artikelnr 9600000359) är ett parkeringshjälpsystem som arbetar med ultraljud. Systemet övervakar området bakom fordonet vid parkering och avger akustiska varningssignaler om hinder registreras.

MWE 7006 är avsett för husbilar.

6 Före monteringen

6.1 Lackera sensorerna

Se bild **2**



ANVISNING

Sensorerna får lackeras. Tillverkaren rekommenderar att lackeringen av sensorerna görs av en auktoriserad verkstad.

6.2 Bestämna sensorernas monteringsplats

Se bild **3** till bild **6**



ANVISNING

För att systemet ska fungera ordentligt är det viktigt att sensorerna riktas rätt.

Om sensorerna riktas mot marken signaleras t.ex. ojämnheter på marken som hinder. Om de riktas för högt uppåt registreras inte hindren.

Tänk på följande vid monteringen:

- Inga andra föremål får finnas i området kring sensorerna.
- Avståndet mellan sensorerna och marken ska vara minst 45 cm och max. 60 cm (bild **3**).
- Tänk på att monteringsvinkeln beror på monteringshöjden. Välj passande sensorhållare och tillhörande borrhåldiameter i tabellen i bild **3**.
- Om en cykelhållare har monterats, montera sensorerna minst 30 cm under hållaren (bild **4**).

Komplettering till bild **6**

- Observera sensorernas avstånd.



ANVISNING

Du kan även fördela sensorerna enligt alternativ B och C.

7 Montera parkeringshjälpen

Se bild **7** till bild **10**

Komplettering till bild **8**



OBSERVERA! Risk för funktionsfel!

Rikta sensorhållarna så att fästapparna står vågräta. I annat fall finns det risk för att parkeringshjälpen inte fungerar korrekt.

- Skjut in sensorhållarna i borrhålen så att de hakas fast.

Komplettering till bild **10**

- Kontrollera att högtalaren är påslagen (läge "Middle" eller "High").

8 Ansluta parkeringshjälpen

Se bild **11**



ANVISNING

På en del fordon fungerar backljuset endast när tändningen är påslagen. Då måste man slå på tändningen för att kunna bestämma plus- och jordledningen.

Nr	Beteckning	Anslutning, kontakt
1	Styrenhet	–
2	Backljus	–
3	Blå/svart ledare: Anslutning till backljuset	14
4	Brun ledare: Anslutning till jord	2
5	Gul ledare från högtalaren	15
6	Blå ledare från högtalaren	3
7	Röd/grå ledare: anslutning till radions mute-anslutning (tillval)	6
8	anslutningskablar sensorer	9/21 (12/24) (10/22) (11/23)
9	Sensorer	–

9 Registrera och identifiera sensorer

Sensorerna och dess position måste registreras av styrenheten. Tillvägagångssätt:

- Slå på tändningen.
- Lägg i backen.
- ✓ Styrenheten registrerar de anslutna sensorerna.
- ✓ På styrenhetens display visas **LE**.
- ✓ Högtalaren avger flera korta ljudsignaler.

När registreringen är avslutad blinkar **LE** på displayen. Nu måste sensorerna identifieras av styrenheten.

- Ställ fordonet så att det finns minst 1,5 m plats runtomkring det. Sensorerna ska inte kunna registrera några hinder.
- Slå av tändningen och slå på den igen.
- Lägg i backen.
- Tryck på båda knapparna på styrenheten mer än tre sekunder.
- ✓ Styrenheten registrerar de anslutna sensorerna.

När registreringen är avslutad avger högtalaren en lång ljudsignal. Nu måste sensorerna identifieras av styrenheten.

Displayen visar ett växlande ljus och högtalaren avger flera korta akustiska signaler.

- Gå tillväga på följande sätt i enlighet med valt monteringsalternativ (bild **6**):
 - Alternativ A: Använd ett ca 0,5 m² stort föremål (t.ex. en stabil kartongbit) och gå igenom sensorerna, från 1 till 6 (bild **12** A)
 - Alternativ B och C: Börja från förardörren och gå runt fordonet från första till den sista sensorn (bild **12** B och C).
- ✓ Högtalaren kvitterar varje detekterad sensor med en kort ljudsignal.

När identifieringen är avslutad avger högtalaren en lång ljudsignal.



ANVISNING

Om ett fel uppstår under processen, kan du starta om processen genom att hålla in de båda knapparna längre än tre sekunder.

10 Avkänningsområde

Se bild **14**

Parkeringshjälpens avkänningsområde delas in i fyra zoner:

- **Zon 1**
Den här zonen är det första gränsområdet. Här kan det hända att små eller dåligt reflekterande föremål inte registreras.
- **Zon 2**
Inom denna zon registreras så gott som samtliga föremål.
- **Zon 3**
Inom denna zon registreras så gott som samtliga föremål, det kan dock hända att föremål befinner sig inom sensorernas döda vinkel.
- **Stoppzon (4)**
Om föremål registreras inom denna zon signalerar parkeringshjälpen "stopp" genom en oavbruten akustisk signal.
Inom denna zon registreras så gott som samtliga föremål, det kan dock hända att föremål befinner sig inom sensorernas döda vinkel.
Det får inte finnas några föremål, som t.ex. cykelhållare eller reservhjul inom sensorernas avkänningsområde, det kan leda till felaktiga signaler.
Det går att förhindra att fasta föremål som t.ex. släpkoppling eller en del av ett reservdäck indikeras (parameter *51*, *52* och *53*).

11 Ställa in systemet

Se bild **14** till bild **17**



WARNING!

Icke fackmässiga inställningar kan påverka funktionen negativt.

Styrenheten har följande reglage:

Nr på bild 15	Beteckning		
1	Display	<i>F5</i>	Fabriksinställningar aktiverade
		<i>E5</i>	Egna inställningar
2, 3	Knappar för inställning av systemet		

**ANVISNING**

- För att spara inställningarna, lägg i neutral, lägg sedan i backväxeln och vänta 2 sek.
- För att avbryta inställningen av en parameter, **utan att spara**, eller för att avbryta hela inställningsproceduren: Tryck inte på någon knapp under en längre tid.

Återställning av fabriksinställningar

- ▶ Tryck på den högra knappen längre än 2 sek. för att komma till programmeringsläget.
- ▶ *01* visas på displayen.
- ▶ Tryck på båda knapparna mer än två sekunder.
- ✓ På displayen visas *F5*.

Dölja användning av cykelhållare eller släp**ANVISNING**

Du kan använda PIN 17 antingen för omkoppling av stoppzoner **eller** för avaktivering vid användning av släp.

Du kan använda en extern strömbrytare (ingår inte i leveransen) till följande:

- koppla om standardstoppzonen (parameter *47*, *48* och *49*) till en högre stoppzon (parameter *51*, *52* och *53*) om du använder en cykelhållare och fälla ut den
- avaktivera parkeringshjälpen när du använder ett släp.

Tillvägagångssätt:

- ▶ Anslut stift 17 på anslutningskabelns kontakt via den externa strömbrytaren med jord.
- ▶ **Endast för släp:** Ställ in parametrarna *55* på värdet *00*.

Dölja indikering av släpkoppling eller externt reservhjul

- ▶ Ställ in parametrarna *51*, *52* och *53* efter släpkopplingen eller reservhjulet.

12 Funktionstest

Funktionstest för sensorerna, tillvägagångssätt:

- Slå på tändningen och lägg i backen.

Var mycket försiktig när du testar systemet för första gången, lyssna noga på de olika tonföljderna.



VARNING!

I zon 4 kan det hända att hinder inte detekteras eftersom de inte befinner sig inom sensorernas avkänningsområde (beroende på modell).

13 Använda parkeringshjälpen

Sensorerna aktiveras automatiskt när backen läggs i och tändningen är påslagen/motorn är igång. En aktiveringssignal ljuder (två korta toner).

En signal ljuder regelbundet så fort ett hinder befinner sig inom avkänningsområdet. När man närmar sig hindret ändras tonföljden beroende på vilken zon hindret finns i, därigenom signaleras det aktuella avståndet.

Var mycket försiktig när du testar systemet för första gången, lyssna noga på de olika signalerna för de olika avstånden.



VARNING!

Stanna genast bilen och kontrollera avståndet (stig vid behov ut ur bilen) om nedanstående sker under parkeringen:

Under parkeringen signalerar systemet ett hinder och signalerna blir snabbare (växlar t.ex. från långsamt till "medelsnabbt"). Plötsligt växlar systemet till långsamma signaler igen, eller det signalerar inget hinder längre.

Det betyder att hindret inte längre befinner sig inom sensorernas avkänningsområde (beroende på modell).

14 Felsökning

Apparaten fungerar inte

Anslutningskablarna till backljusen är ej rätt anslutna (ingen kontakt eller omkastade).

Sensorernas kontakter har inte anslutits till styrenheten, eller de har inte anslutits korrekt.

- Kontrollera kontakterna, anslut dem vid behov rätt, de måste haka i ordentligt.

Låg felton i tre sekunder när backväxeln läggs i

En eller flera sensorer är defekta eller är inte anslutna till styrenheten. Den defekta sensorn indikeras på displayen:

- t.ex. **E1** för sensor 1
Sensor 1 har den kortaste anslutningskabeln, sensor 6 den längsta.
 - Om fler än en sensor är defekt visas dessa efter varandra.
- Kontrollera kontakterna, anslut dem vid behov rätt, de måste haka i ordentligt.
 - Byt ut den trasiga sensorn/de trasiga sensorerna.



OBSERVERA!

Systemet fungerar inte om en eller flera sensorer är defekta.

Inga akustiska signaler

Högtalaren är avstängd eller felaktigt ansluten.

- Kontrollera om högtalaren är påslagen.
- Kontrollera om högtalaren är korrekt ansluten.
- Ställ in parametern **01** på värdet "1" eller "2" (se kapitel "Ställa in systemet" på sidan 127).

Apparaten felanmäler föremål

Följande orsaker kan leda till falskt alarm:

- Smuts eller frost på sensorerna.
- Rengör sensorerna.

- Sensorerna har monterats felaktigt.
- Montera sensorerna på rätt plats (bild **3**).
- Använd vid behov parametrarna **41**, **42** och **43** för att ställa in sensorernas känslighet (se kapitel "Ställa in systemet" på sidan 127).

- Sensorerna har kontakt med chassit.
- Isolera sensorerna från chassit.

Reservhjulet orsakar falskt larm

- Ställ in parametrarna **51**, **52** och **53** efter reservhjulet (se kapitel "Ställa in systemet" på sidan 127).

Föremål på fordonet (t.ex. släpkoppling) kan leda till falskt alarm

- Ställ in parametrarna **51**, **52** och **53** efter föremålet till värdet **00** eller **01** (se kapitel "Ställa in systemet" på sidan 127).
- Förskjut stoppzonen efter föremålet med hjälp av parametrarna **47**, **48** och **49** (se kapitel "Ställa in systemet" på sidan 127).

15 Garanti

Den lagstadgade garantitiden gäller. Om produkten är defekt: kontakta tillverkarens kontor i ditt land (adresser, se bruksanvisningens baksida) eller återförsäljaren.

Vid reparations- resp. garantiärenden ska följande skickas med:

- defekta komponenter,
- en kopia på fakturan med inköpsdatum,
- en reklambeskrivning/felbeskrivning.


16 Avfallshantering

- Lämna om möjligt förpackningsmaterialet till återvinning.



När produkten slutgiltigt tas ur bruk: informera dig om gällande bestämmelser hos närmaste återvinningscentral eller hos återförsäljaren.

17 Tekniska data

	MWE 7006
Artikelnr:	9600000359
Avkänningsområde:	ca 0,60 m till 3 m
Ultraljudsfrekvens:	58 kHz
Försörjningsspänning:	10 – 32 V
Strömbehov:	max. 350 mA
Drifttemperatur:	-35 °C till + 70 °C
Godkännande:	



ANVISNING

Sensorerna får lackeras. Tillverkaren rekommenderar att lackeringen av sensorerna görs av en auktoriserad verkstad.

Les bruksanvisningen nøye før du monterer og tar apparatet i bruk, og ta vare på den. Hvis produktet selges videre, må du sørge for å gi bruksanvisningen videre også.

Innholdsfortegnelse

1	Symbolforklaring	134
2	Råd om sikkerhet og montering	134
3	Leveringsomfang	135
4	Tilbehør	136
5	Tiltent bruk	136
6	Råd før montering	136
7	Montere parkeringsassistent	137
8	Koble til parkeringsassistenten	138
9	Registrere og identifisere sensorer	139
10	Måleområde	140
11	Stille inn systemet	141
12	Teste funksjon	142
13	Bruke parkeringsassistent	143
14	Feilsøking	143
15	Garanti	145
16	Avfallshåndtering	145
17	Tekniske spesifikasjoner	146

1 Symbolforklaring

**ADVARSEL!**

Sikkerhetsregel: Hvis man ikke overholder denne regelen, kan det føre til død eller alvorlig skade.

**PASS PÅ!**

Hvis man ikke overholder denne regelen, kan det føre til materielle skader og skade funksjonen til produktet.

**MERK**

Utfyllende informasjon om bruk av produktet.

2 Råd om sikkerhet og montering

Følgende tekst supplerer illustrasjonene i vedlegget . Enkeltvis er de ingen fullstendig montasje- og betjeningsveiledning! Illustrasjonene i vedlegget må følges!

Følg rådene og betingelsene som kjøretøyprodusenten og motorvognprodusenten har bestemt!

Følg gjeldende lover og forskrifter.

Produsenten tar i følgende tilfeller intet ansvar for skader:

- Skader på produktet på grunn av mekanisk påvirkning og overspenninger
- Endringer på produktet uten at det er gitt uttrykkelig godkjenning av produsenten
- Bruk til andre formål enn det som er beskrevet i veiledningen

**ADVARSEL!**

- Fest delene til parkeringsassistenten som er montert i kjøretøyet, slik at de ikke under noen omstendighet (bråbremsing, trafikkuhell) løsner og **skader passasjerene**.
- De delene til parkeringsassistenten som er montert i kjøretøyet, må ikke monteres i virkningsområdet til en kollisjonspute. Den kan bli skadet når kollisjonsputen utløses.
- Parkeringsassistenten skal gi deg ekstra hjelp, men apparatet fritar deg ikke fra ansvaret du har for å være forsiktig ved krypekjøring.

**PASS PÅ!**

- På kjøretøy med LED-baklys kan innmontering av parkeringsassistent føre til feil.
- Hvis du ønsker å montere følerne i metall-støtfangere, trenger du egnede adaptere (følger ikke med i leveransen).
- Styreelektronikken må ikke utsettes for fuktighet.
- Styreelektronikken må ikke monteres i nærheten av andre styre-moduler.
- Følerne må ikke dekke noen signallamper.
- Ved montering av følerne må du påse at det ikke befinner seg noe fast-montert utstyr på kjøretøyet (f. eks. sykkelstativ) følernes registrerings-område.

3 Leveringsomfang

Se fig. 1

Nr.	Antall	Betegnelse	Artikkelnr.
1	1	Styreelektronikk	9101500069
2	1	Høytaler	
3	1	Tilkoblingskabel styreelektronikk	
4	1	Fordeler sensorer	9101500067
5	6	Ultralydsensorer med tilkoblingskabel	9101500070
6	6	Følerholder 0° med dekselring	
7	6	Følerholder 10° med dekselring	
-	2	Forlengelseskabel 3 m	
-	1	Festemateriell	

4 Tilbehør

Tilgjengelig som tilbehør (ikke inkludert i leveransen):

Betegnelse	Artikkelnr.
Følerholder for støtfanger av metall	9101500015
Forlengelseskabel sensor 1,5 m	9103555747
Innfelt følerholder (fig. 13 1)	9101500078
Gummisensorholder for utenpåliggende montasje (fig. 13 2)	9101500071
Høytaler	MWD-900
LED-display	9101500079

5 Tiltenkt bruk

Dometic MWE 7006 (Artikkelnr. 9600000359) er parkeringsassistent basert på ktul-tralyd. Ved rygging overvåker den området bak kjøretøyet og varsler med lyd hindringer som registreres av apparatet.

MWE 7006 er beregnet for montering i bobiler.

6 Råd før montering

6.1 Lakkere følerne

Se fig. 2



MERK

Sensorene kan lakkere. Produsenten anbefaler at følerne lakkere av et fagverksted.

6.2 Finne monteringssted for sensorene

Se fig. 3 til fig. 6



MERK

For at apparatet skal fungere feilfritt er det viktig at følerne er korrekt rettet.

Hvis de peker mot bakken, indikeres f.eks. ujevnheter på bakken som hindringer. Hvis de peker for langt oppover, registreres ikke eksisterende hindringer.

Vær oppmerksom på følgende ved montering:

- Området rundt sensorene må være fri for andre objekter.
- Sensorenes avstand til bakken skal være minimum 45 cm og maksimum 60 cm (fig. 3).
- Vær oppmerksom på at montasjevinkelen avhenger av montasjehøyden. Iht. tabellen i fig. 3 velger du egnet følerholder og tilhørende hull diameter.
- Når det er montert sykkelstativ, monterer du sensorene minimum 30 cm under det (fig. 4).

Forklaring til fig. 6

- Overhold avstandene til sensorene.



MERK

Du kan også fordele sensorene som vist i alternativ B og C.

7 Montere parkeringsassistent

Se fig. 7 til fig. 10

Forklaring til fig. 8



PASS PÅ! Fare for funksjonsfeil!

Rett ut sensorholderne slik at festenesene står vannrett. Ellers er det ikke sikkert at parkeringsassistenten vil fungere feilfritt.

- Skyv følerholderne inn i boringene til de går i lås.

Forklaring til fig. 10

- Forsikre deg om at høyttaleren er slått på (stilling «Middle» eller «High»).

8 Koble til parkeringsassistenten

Se fig. 11



MERK

På en del kjøretøyer fungerer ryggelyset bare når tenningen er på. I så fall må du slå på tenningen for å finne pluss- og jordledningen.

Nr.	Betegnelse	Pluggplass- støpsel
1	Styreelektronikk	–
2	Ryggelys	–
3	Blå/svart leder: Tilkobling til ryggelyset	14
4	Brun leder: Tilkobling til jord	2
5	Gul leder fra høyttaleren	15
6	Blå leder fra høyttaleren	3
7	Rød/grå leder: Tilkobling til mute-tilkoblingen til radioen (ekstra)	6
8	Tilkoblingskabel følere	9/21 (12/24) (10/22) (11/23)
9	Følere	–

9 Registrere og identifisere sensorer

Sensorene og deres posisjon må registreres av styreenheten. Gå fram på følgende måte:

- Slå på tenningen.
- Legg inn revers.
- ✓ Styreenheten registrerer de tilkoblede sensorene.
- ✓ Displayet på styreenheten viser **LE**.
- ✓ Høytaleren avgir flere ganger korte lydsignaler.

Når registreringen er avsluttet, blinker **LE** i displayet. Nå må sensorene identifiseres av styreenheten.

- Plasser kjøretøyet slik at det er minst 1,5 m ledig plass hele veien rundt, for at sensorene ikke kan registrere noen hindringer.
- Slå tenningen av og på igjen.
- Legg inn revers.
- Trykk begge knappene på styreenheten samtidig lenger enn tre sekunder.
- ✓ Styreenheten registrerer de tilkoblede sensorene.

Når registreringen er avsluttet, avgir høytaleren et langt lydsignal. Nå må sensorene identifiseres av styreenheten.

Displayet viser et løpende lys, og høytaleren avgir flere ganger korte lydsignaler.

- Gå fram på følgende måte iht. valgt montasjealternativ (fig. **6**):
 - Alternativ A: Bruk en ca. 0,5 m² stor gjenstand (f.eks. stabil papp) og gå etter sensorene 1 til 6 (fig. **12** A)
 - Alternativ B og C: Ta utgangspunkt i døren på førersiden for å rundt kjøretøyet fra den første til den siste sensoren (fig. **12** B og C).
- ✓ Høytaleren kvitterer hver registrert sensor med et kort lydsignal.

Når identifiseringen er avsluttet, avgir høytaleren et langt lydsignal.



MERK

Hvis det oppstår en feil under prosessen, kan du starte den på nytt ved å trykke på begge knappene samtidig i mer enn tre sekunder.

10 Måleområde

Se fig. 14

Parkeringsassistentens registreringsområde er inndelt i fire soner:

- **Sone 1**

Denne sonen er det første grenseområdet. Her registreres normalt ikke små gjenstander eller gjenstander som reflekteres dårlig.

- **Sone 2**

I denne sonen registreres nesten alle gjenstander.

- **Sone 3**

I denne sonen registreres nesten alle objekter, men det kan være gjenstander i dødvinkelen til sensorene.

- **Stoppsoner (4)**

Gjenstander i denne sonen fører til at parkeringsassistenten signaliserer «Stopp» med en kontinuerlig lyd.

I denne sonen registreres nesten alle objekter, men det kan være gjenstander i dødvinkelen til sensorene.

Gjenstander som f.eks. sykkelstativ eller reservehjul må ikke befinne seg i registreringsområdet til sensorene, da det vil føre til feilindikering.

Indikering av faste gjenstander som f.eks. hengerfeste eller en del av reservehjulet, kan undertrykkes (parameter 51, 52 og 53).

11 Stille inn systemet

Se fig. 14 til fig. 17



ADVARSEL!

Feil innstillinger kan påvirke funksjonen.

Styreelektronikken har følgende betjeningslementer:

Nr. i fig. 15	Betegnelse		
1	Display	F5	Fabrikkinnstillinger aktivert
		£5	Egne innstillinger utført
2, 3	Taster for innstilling av systemet		



MERK

- For å lagre innstillingene kobler du til fri og legger inn revers og venter i 2 s.
- For å avbryte innstillingen av parameteren **uten å lagre**, eller for å avslutte hele innstillingsprosessen: Ikke trykk på noen taster på en lang stund.

Gjenopprette fabrikkinnstilling

- Hold høyre knapp inne lenger enn 2 sekunder for å komme til programmeringsmodus.
- Displayet viser *01*.
- Trykk begge tastene sammen lenger enn to sekunder.
- ✓ Displayet viser *F5*.

Undertrykke bruk av sykkelstativ eller tilhenger



MERK

Du kan programmere PIN 17 enten for å koble om stoppsone **eller** for deaktivering ved bruk av en tilhenger.

Du kan bruke en ekstern bryter (ikke inkludert i leveransen) for å:

- koble standard stoppsone (parameter *47*, *48* og *49*) på en høyere stoppsone (parameter *61*, *62* og *63*) når du bruker et sykkelstativ og slår ut dette.
- deaktivere parkeringsassistenten mens du bruker en tilhenger.

Gå fram på følgende måte:

- Koble pin 17 på støpslet fra tilkoblingskabelen via den eksterne bryteren til jord.
- **Kun for tilhenger:** Sett parameterne *55* på verdien *00*.

Undertrykke indikering av et hengerfeste eller et eksternt reservehjul

- Still inn parameterne *51*, *52* og *53* slik at de passer til hengerfestet eller reservehjulet ditt.

12 Teste funksjon

Ved funksjonstest av følerne går du fram på følgende måte:

- Slå på tenningen, og legg inn revers.

Ved første igangkjøring må du derfor være svært forsiktig og gjøre deg kjent med de forskjellige tonemønstrene.



ADVARSEL!

I sone 4 kan det hende at hindringer ikke registreres lenger, fordi de ikke lenger befinner seg i måleområdet til sensorene (konstruksjons-avhengig).

13 Bruke parkeringsassistent

Følerne aktiveres automatisk når man legger inn revers, når tenningen er på eller motoren går. Det høres et aktiveringssignal (to korte toner).

Med en gang det befinner seg en hindring i registreringsområdet, høres en jevn repeterende signaltone.

Når man kjører nærmere, forandres tonemønsteret etter hvilken sone hindringen hele tiden befinner seg i og signaliserer dermed en avstand.

Vær meget forsiktig første gang du bruker systemet for å gjøre deg kjent med avstandsangivelsene gjennom de forskjellige tonemønstrene.



ADVARSEL!

Stans kjøretøyet umiddelbart og kontroller situasjonen (evt. gå ut) når følgende skjer ved krypkjøring:

Ved krypekjøring indikerer apparatet først og fremst en hindring, og tonemønsteret blir normalt raskere (f.eks. skifter fra sakte til middels tonemønster). Plutselig skifter signaltonen til sakte tonemønster eller det indikeres ingen hindring i det hele tatt lenger.

Det betyr at den opprinnelige hindringen ikke befinner seg i måleområdet til følerne lenger (konstruksjonsavhengig), men de kan fortsatt bli påkjørt.

14 Feilsøking

Apparatet fungerer ikke

Tilkoblingskabelen til ryggelyset har ingen kontakt eller er forvekslet.

Støpslene til følerne er ikke plagget inn i eller er plagget feil inn i styreelektronikken.

- Kontroller støpslene og plugg dem eventuelt inn slik at de går i lås.

Lavere feilsignal i tre sekunder etter at revers er lagt inn

En eller flere følere er defekte, eller de er ikke koblet til styreelektronikken lenger. Displayet viser den defekte sensoren:

- f.eks. *E1* for sensor 1
Sensor 1 har den korteste tilkoblingskabelen, sensor 6 den lengste.
- Hvis mer enn én sensor er defekt, vises disse etter hverandre.
- Kontroller støpslene og plugg dem eventuelt inn slik at de går i lås.
- Skift ut den eller de defekte følerne.



PASS PÅ!

Systemet fungerer ikke når én eller flere følere er defekte.

Ingen lydsignaler

Høytteren er slått av eller feil tilkoblet.

- Kontroller om høytteren er slått på.
- Kontroller om høytteren er riktig tilkoblet.
- Sett parameteren *01* på verdien «1» eller «2» (se kapittel «Stille inn systemet» på side 141).

Apparat melder hindringer feil

Følgende årsaker kan føre til feilalarmer:

- Smuss eller frost på følerne.
- Rengjør følerne.
- Følerne ble montert feil.
- Tilpass plasseringen av sensorene (fig. **3**).
- Still evt. inn følsomheten til sensorene med parameterne *41*, *42* og *43* (se kapittel «Stille inn systemet» på side 141).
- Følerne har kontakt med kjøretøysjassiet.
- Skill følerne fra sjassiet.

Reservehjulet fører til feilalarm

- Still inn parameterne *51*, *52* og *53* slik at de passer til reservehjulet (se kapittel «Stille inn systemet» på side 141).

Gjenstander på kjøretøyet (f.eks. hengerfeste) fører til feilalarmer

- ▶ Still inn parameterne **51**, **52** og **53** slik at de passer til gjenstanden din på verdien **00** eller **01** (se kapittel «Stille inn systemet» på side 141).
- ▶ Forskyv stoppsonen via parameterne **47**, **48** og **49** slik at den passer til gjenstanden (se kapittel «Stille inn systemet» på side 141).

15 Garanti

Lovmessig garantitid gjelder. Hvis produktet skulle være defekt, kontakter du produsentens filial i ditt land (du finner adressene på baksiden av veiledningen) eller til din faghandler.

Ved henvendelser vedrørende reparasjon eller garanti, må du sende med følgende:

- defekt komponenter,
- kopi av kvitteringen med kjøpsdato,
- årsak til reklamasjonen eller beskrivelse av feilen.


16 Avfallshåndtering

- ▶ Lever emballasje til resirkulering så langt det er mulig.



Når du tar produktet ut av drift for siste gang, må du sørge for å få informasjon om deponeringsforskrifter hos nærmeste resirkuleringsstasjon eller hos din faghandler.

17 Tekniske spesifikasjoner

	MWE 7006
Artikkelnr.:	9600000359
Måleområde:	ca. 0,60 m til 3 m
Ultralydfrekvens:	58 kHz
Forsyningsspenning:	10 – 32 V
Strømforbruk:	maksimum 350 mA
Driftstemperatur:	-35 °C til +70 °C
Godkjenning:	

**MERK**

Følerne kan lakkres. Produsenten anbefaler at følerne lakkres av et fagverksted.

Lue tämä ohje huolellisesti läpi ennen asennusta ja käyttöönottoa ja säilytä ohje hyvin. Jos myyt tuotteen eteenpäin, anna ohje tällöin edelleen uudelle käyttäjälle.

Sisällysluettelo

1	Symbolien selitykset	148
2	Turvallisuus- ja kiinnitysohjeita	148
3	Toimituskokonaisuus.	149
4	Lisävarusteet	150
5	Käyttötarkoitus.	150
6	Ohjeita ennen asennusta	150
7	Parkkitutkan asennus.	151
8	Parkkitutkan liittäminen	152
9	Antureiden rekisteröiminen ja tunnistaminen	153
10	Tarkkailualue	154
11	Järjestelmän säätäminen	155
12	Toiminnan testaaminen.	156
13	Parkkitutkan käyttö	157
14	Vianetsintä	157
15	Tuotevastuu.	159
16	Hävittäminen	159
17	Tekniset tiedot.	160

1 Symbolien selitykset

**VAROITUS!**

Turvallisuusohje: Huomiotta jättäminen voi aiheuttaa hengenvaaran tai vakavan loukkaantumisen.

**HUOMAUTUS!**

Huomiotta jättäminen voi johtaa materiaalivaurioihin ja haitata tuotteen toimintaa.

**OHJE**

Tuotteen käyttöä koskevia lisätietoja.

2 Turvallisuus- ja kiinnitysohjeita

Seuraavat tekstit täydentävät osittain kuvia oheislehtisessä. Ne eivät yksistään ole täydellisiä asennus- ja käyttöohjeita! Huomioi aina oheislehtisen kuvat!

Noudata ajoneuvovalmistajan ja autoalan ammattiipiirien antamia turvallisuusohjeita ja vaatimuksia!

Noudata voimassa olevia lakeja ja määräyksiä.

Valmistaja ei ota mitään vastuuta vahingoista seuraavissa tapauksissa:

- tuotteeseen mekaanisen vaikutuksen tai ylijännitteiden takia syntyneet vauriot
- tuotteeseen ilman valmistajan nimenomaista lupaa tehdyt muutokset
- käyttö muuhun kuin käyttöohjeessa ilmoitettuun tarkoitukseen

**VAROITUS!**

- Kiinnitä parkkitutkan ajoneuvoon asennettavat osat siten, että ne eivät missään tapauksessa (äkkijarrutus, liikenneonnettomuus) irtoa ja johda **ajoneuvon matkustajien loukkaantumiseen**.
- Älä asenna parkkitutkan ajoneuvoon asennettavia osia turvatyynyn vaikutusalueelle. Muuten ilmatyynyn laukeamisesta aiheutuu loukkaantumisvaara.
- Parkkitutka on tarkoitettu lisäavuksi, ts. laite ei vapauta sinua velvollisuudesta olla erityisen varovainen kääntyessäsi.



HUOMAUTUS!

- LED-takavaloilla varustetuissa ajoneuvoissa parkkitutkan asennus voi johtaa häiriöihin.
- Jos haluat asentaa anturit metallipuskureihin, tarvitset sopivan adapterin (ei mukana toimituksessa).
- Ohjauselektronikka ei saa joutua alttiiksi minkäänlaiselle kosteudelle.
- Ohjauselektronikkaa ei saa asentaa ohjausmoduulien läheisyyteen.
- Anturit eivät saa peittää mitään merkkilamppuja.
- Huomioi anturien asennuksessa, että mitkään ajoneuvoon kiinteästi kiinnitetyt esineet (esim. polkupyöräteline) eivät ole anturien tarkkailualueella.

3 Toimituskokonaisuus

Katso kuva **1**

Nro	Määrä	Nimitys	Tuotenumero
1	1	Ohjauselektronikka	9101500069
2	1	Kaiutin	
3	1	Ohjauselektronikan liitäntäjohto	
4	1	Antureiden virranjakaja	9101500067
5	6	Ultraäänianturit ja liitäntäjohdot	9101500070
6	6	Anturipidike 0° suojarenkaalla	
7	6	Anturipidike 10° suojarenkaalla	
-	2	Jatkojohto 3 m	
-	1	Kiinnitysmateriaali	

4 Lisävarusteet

Saatavissa lisävarusteena (ei sisälly toimituskokonaisuuteen):

Nimitys	Tuotenumero
Metallinen anturipidike puskureille	9101500015
Anturin jatkojohto 1,5 m	9103555747
Anturipidike uppoasennukseen (kuva 13 1)	9101500078
Kuminen anturipidike rakenneasennukseen (kuva 13 2)	9101500071
Kaiutin	MWD-900
LED-näyttö	9101500079

5 Käyttötarkoitus

Dometic MWE 7006 (tuotenumero 9600000359) on ultraääneen perustuva parkkitutka. Ne tarkkailevat kääntämisen aikana ajoneuvon takana olevaa tilaa ja varoittavat akustisesti esteistä, jotka laite havaitsee.

MWE 7006 on suunniteltu asennettavaksi matkailuautoon.

6 Ohjeita ennen asennusta

6.1 Antureiden maalaaminen

Katso kuva **2**



OHJE

Anturit voi maalata. Valmistaja suosittelee, että annat huoltoliikkeen maalata anturit.

6.2 Antureiden asennuspaikan määrittäminen

Katso kuva 3 – kuva 6



OHJE

Anturien oikea asennus on laitteen moitteettoman toiminnan kannalta tärkeätä.

Jos ne osoittavat maahan, ilmaistaan esteiksi esim. alustan epätasaisuudet. Jos ne osoittavat liian ylös, todellisia esteitä ei tunnisteta.

Huomioi asennuksessa seuraavat tiedot:

- Antureita ympäröivän tilan tulee olla vapaa muista kohteista.
- Antureiden etäisyys maahan tulisi olla vähintään 45 cm ja enintään 60 cm (kuva 3).
- Huomaa, että asennuskulma riippuu asennuskorkeudesta. Valitse kuten kuva 3 näyttää sopiva anturipidike sekä siihen sopiva reiän halkaisija.
- Kun polkupyöräteline on asennettu, anturit asennetaan vähintään 30 cm sen alapuolelle (kuva 4).

Täydentää: kuva 6

- Huomaa anturien etäisyydet.



OHJE

Anturit voi jakaa myös kuten vaihtoehtoissa B ja C on esitetty.

7 Parkkitutkan asennus

Katso kuva 7 – kuva 10

Täydentää: kuva 8



HUOMAUTUS! Toimintahäiriön riski!

Kohdista anturipidike siten, että kiinnitysnokat ovat vaakasuorassa. Muutoin parkkitutkan oikeaa toimintoa ei voida taata.

- Työnnä anturipidikkeet porauksiin, kunnes ne lukittuvat.

Täydentää: kuva 10

- Varmista, että kaiutin on kytkettynä päälle (asento "Middle" tai "High").

8 Parkkitutkan liittäminen

Katso kuva 11



OHJE

Joissakin ajoneuvoissa peruutusvalo toimii vain, kun sytytys on kytkettyä päälle. Tässä tapauksessa virta on kytkettävä päälle, jotta plus- ja maajohdot erottaa toisistaan.

Nro	Nimitys	Pistokkeen pistoliitäntä
1	Ohjauselektronikka	–
2	Peruutusvalo	–
3	Sininen/musta johdin: Liitäntä peruutusvaloihin	14
4	Ruskea johdin: Liitäntä maahan	2
5	Keltainen johdin kaiuttimesta	15
6	Sininen johdin kovaäänisestä	3
7	Punainen/harmaa johdin: Liitäntä radion mykistysliitintään (valinnainen)	6
8	Anturien liitäntäjohto	9/21 (12/24) (10/22) (11/23)
9	Anturit	–

9 Antureiden rekisteröiminen ja tunnistaminen

Anturit ja niiden asennot tulee rekisteröidä ohjauslaitteessa. Toimi tätä varten seuraavasti:

- Kytke virta päälle.
- Laita peruutusvaihte päälle.
- ✓ Ohjauslaite rekisteröi liitetyt anturit.
- ✓ Ohjauslaitteen näytölle tulee ilmoitus **LE**.
- ✓ Kovaäänisestä kuuluu toistuvasti lyhyitä äänimerkkejä.

Kun rekisteröinti on valmis, näytön ilmoitus **LE** vilkkuu. Seuraavaksi anturit on tunnistettava ohjauslaitteessa.

- Pysäköi ajoneuvo siten, että sen ympärillä on vähintään 1,5 m vapaata tilaa, jotta anturit eivät voi ottaa esteitä.
- Kytke virta pois ja jälleen päälle.
- Laita peruutusvaihte päälle.
- Paina molempia painikkeita yli kolmen sekunnin ajan.
- ✓ Ohjauslaite rekisteröi liitetyt anturit.

Kun rekisteröinti on valmis, kovaäänisestä kuuluu pitkä merkkiääni. Seuraavaksi anturit on tunnistettava ohjauslaitteessa.

Näytössä näkyvä liikkuva valo ja kovaäänisestä kuuluu toistuvasti lyhyitä äänimerkkejä.

- Toimi valitun asennusvaihtoehdon mukaan (kuva **6**) seuraavasti:
 - Vaihtoehto A: Käytä noin 0,5 m² kokoista kohdetta (esim. palasta jäykkää pahvia) ja käy läpi anturit 1 – 6 läpi vuorotellen (kuva **12** A)
 - Vaihtoehdot B ja C: Kierrä kuljettajanovesta katsoen ajoneuvon ensimmäisestä viimeiseen anturiin saakka ja tarkista ne (kuva **12** B ja C).
- ✓ Kovaäänisestä kuuluu lyhyt äänimerkki jokaisen tunnistetun anturin kohdalla.

Kun tunnistus on valmis, kovaäänisestä kuuluu pitkä merkkiääni.



OHJE

Jos toiminnon aikana tapahtuu virhe, voit aloittaa toiminnon uudelleen painamalla molempia painikkeita yhtä aikaa yli kolmen sekunnin ajan.

10 Tarkkailualue

Katso kuva

Parkkitutkan tarkkailualue on jaettu neljään vyöhykkeeseen:

- **Vyöhyke 1**

Tämä vyöhyke muodostaa ensimmäisen raja-alueen. Tällä alueella pienet tai huonosti heijastavat esteet jäävät mahdollisesti havaitsematta.

- **Vyöhyke 2**

Tällä vyöhykkeellä ilmaistaan lähes kaikki kohteet.

- **Vyöhyke 3**

Tällä vyöhykkeellä ilmaistaan lähes kaikki kohteet, mutta jotkin kohteet saattavat joutua antureihin nähden kuolleeseen kulmaan.

- **Pysäytysvyöhyke (4)**

Kohteet tällä vyöhykkeellä aiheuttavat parkkitutkan jatkuvan "stop"-signaalin.

Tällä vyöhykkeellä ilmaistaan lähes kaikki kohteet, mutta jotkin kohteet saattavat joutua antureihin nähden kuolleeseen kulmaan.

Esineet, kuten polkupyöräteline tai vararenkaat eivät saa olla anturien tarkkailualueella, koska ne voivat johtaa virheelliseen ilmoitukseen.

Kiinteiden kohteiden ilmoitusnäytön, esim. peräkoukku tai vararenkaan osa, voi häivyttää (parametrit *51*, *52* ja *53*).

11 Järjestelmän säätäminen

Katso kuva 14 – kuva 17



VAROITUS!

Asiattomat säädöt voivat vaikuttaa varmaan toimintoon.

Ohjauselektronikassa on seuraavat käyttölaitteet:

Nro kuvassa kuva 15	Nimitys		
1	Näyttö	F5	tehdasasetukset aktivoitu
		£5	omat säädöt suoritettu
2, 3	Painikkeet järjestelmän säätämiseen		



OHJE

- Tallenna asetukset painamalla kytkintä, laittamalla peruutusvaihteen päälle ja odottamalla 2 s.
- Keskeyttääksesi parametrin säädöt **ilman tallennusta**, tai lopettaaksesi koko säätötoiminnot: Älä paina mitään painiketta pitkään aikaan.

Tehdasasetusten palautus

- Paina oikeaa painiketta yli kahden sekunnin ajan palataksesi ohjelmointitilaan.
- Näytössä näkyy 01.
- Paina molempia painikkeita yli kahden sekunnin ajan.
- ✓ Näytöllä näkyy F5.

Polkupyörätelineen tai perävaunun käytön häivyttäminen



OHJE

Voit ohjelmoida PIN 17 -liitännän joko pysäytysvyöhykkeen **tai** kytkemisen tai perävaunua käytettäessä deaktivoinnin mukaan.

Voit käyttää ulkoista kytkintä (ei sisälly toimituskokonaisuuteen):

- vakiopysäytysvyöhykkeen (parametrit **47**, **48** ja **49**) kytkemiseen korkeammaksi pysäytysvyöhykkeeksi (parametrit **61**, **62** ja **63**) kun käytössä on polkupyöräteline sekä näiden avaamiseen.
- parkkitutkan deaktivoimiseen, kun käytetään perävaunua.

Toimi tätä varten seuraavasti:

- Liitä pistokkeen Pin 17 liitäntäjohdolla ulkoiseen kytkimeen ja maadoitukseen.
- **Vain perävaunu:** Aseta parametrille **56** arvo **00**.

Perävaunuliitännän tai ulkoisen vararenkaan ilmoituksen häivyttäminen

- Aseta parametrit **51**, **52** ja **53** perävaunuliitännän tai vararenkaan mukaisesti.

12 Toiminnan testaaminen

Testaa antureiden toiminta seuraavasti:

- Kytke virta päälle ja aseta peruutusvaihte päälle.

Ota järjestelmä käyttöön ensimmäisen kerran äärimmäisen varovaisesti ja tutustu erilaisiin äänisarjoihin.



VAROITUS!

Vyöhykkeellä 4 voi käydä niin, että estettä ei enää tunnisteta, ts. se on anturien tarkkailualueen ulkopuolella (johtuu rakenteesta).

13 Parkkitutkan käyttö

Anturit aktivoituvat automaattisesti kytkettäessä peruutusvaihte päälle, jos virta on päällä tai moottori käynnissä. Kuulet aktivointisignaalin (kaksi lyhyttä ääntä).

Samanlaisena toistuva merkkiääni alkaa kuulua heti, kun tarkkailualueella on este. Lähestyttäessä estettä äänisarja muuttuu ja ilmaisee etäisyyden sen mukaan, millä vyöhykkeellä este kulloinkin on.

Käytä järjestelmää ensimmäisen kerran äärimmäisen varovaisesti, jotta totut etäisyyden ilmaisemiseen erilaisilla äänisarjoilla.



VAROITUS!

Pysäytä ajoneuvo heti ja tarkasta tilanne (nouse tarvittaessa ulos), jos pysäköitäessä tapahtuu seuraavaa:
Ajoneuvoa käännettäessä laite ilmaisee ensin esteen ja äänisarja nopeutuu aivan normaalisti (esim. vaihtuu hitaasta keskiäänisarjalle). Merkkiääni hyppää äkkiä hitaalle äänisarjalle tai se ei ilmaise enää lainkaan esteitä.
Tämä tarkoittaa, että alkuperäinen este ei ole enää anturien tarkkailualueella (johtuu rakenteesta), mutta siihen voidaan silti yhä törmätä.

14 Vianetsintä

Laite ei ilmaise toimintaa

Peruutusvaloon liitetyillä johdoilla ei kontaktia tai ne on sekoitettu keskenään.

Anturien pistokkeita ei ole liitetty ohjauselektronikkaan tai ne on liitetty väärin.

- Tarkista pistokkeet ja työnnä ne tarvittaessa paikalleen siten, että ne loksahavat kiinni.

Syvä virheääni kolme sekuntia peruutusvaihteen asettamisen jälkeen

Yksi tai useampi anturi on viallinen tai ei enää yhdistetty ohjauselektroniikkaan. Näytöllä näkyy viallinen anturi:

- esimerkiksi **E1** anturille 1
Anturi 1 on lyhimällä liitäntäjohdolla, anturi 6 pisimmällä.
- Kun useampi kuin yksi anturi on viallinen, ne näytetään vuorotellen.
- Tarkista pistokkeet ja työnnä ne tarvittaessa paikalleen siten, että ne loksahtavat kiinni.
- Vaihda vialliset anturit.



HUOMAUTUS!

Järjestelmä ei toimi, jos yksi tai useampi anturi on viallinen.

Ei äänimerkkiä

Kovaääninen on sammutettu tai väärin liitetty.

- Tarkasta, että kovaääninen on kytketty päälle.
- Tarkasta, että kovaääninen on liitetty oikein.
- Aseta parametri **01** arvolle "1" tai "2" (katso kap. "Järjestelmän säätäminen" sivulla 155).

Laite ilmoittaa esteet väärin

Seuraavat seikat voivat johtaa virrehälytyksiin:

- Likaa tai jäätä antureilla.
- Puhdista kaikki anturit.
- Anturit asennettiin väärin.
- Sovita antureiden paikka (kuva **3**).
- Aseta tarvittaessa parametreilla **41**, **42** ja **43** antureiden herkkyys (katso kap. "Järjestelmän säätäminen" sivulla 155).
- Antureilla on kontakti ajoneuvon koriin.
- Erota anturit korista.

Vararengas johtaa virrehälytykseen

- Aseta parametrit **51**, **52** ja **53** vararenkaan mukaisesti (katso kap. "Järjestelmän säätäminen" sivulla 155).

Ajoneuvon kohteet (esim. perävaunuliitäntä) johtavat virrehälytykseen

- Aseta parametrit **51**, **52** ja **53** kohteiden mukaan arvoon **00** tai **01** (katso kap. "Järjestelmän säätäminen" sivulla 155).
- Siirrä pysäytysvyöhyke parametreilla **47**, **48** ja **49** kohteen mukaisesti (katso kap. "Järjestelmän säätäminen" sivulla 155).

15 Tuotevastuu

Laitetta koskee lakisääteinen takuu-aika. Jos tuote sattuu olemaan viallinen, käänny maasi valmistajan toimipisteen puoleen (osoitteet käyttöohjeen takasivulla) tai ota yhteyttä omaan ammattikauppiaseesi.

Korjaus- ja takuukäsittelyä varten lähetä mukana seuraavat:

- vialliset osat,
- kopio ostolaskusta, jossa näkyy ostopäivä,
- valitusperuste tai vikakuvaus.


16 Hävittäminen

- Vie pakkausmateriaali mahdollisuuksien mukaan vastaavan kierrätysjätteen joukkoon.



Jos poistat tuotteen lopullisesti käytöstä, pyydä tietoa sen hävittämistä koskevista määräyksistä lähimmästä kierrätyskeskuksesta tai ammattiliikkeestäsi.

17 Tekniset tiedot

	MWE7006
Tuotenumero:	9600000359
Tarkkailualue:	n. 0,60 m – 3 m
Ultraäänitaajuus:	58 kHz
Syöttöjännite:	10 – 32 V
Virrankulutus:	korkeintaan 350 mA
Käyttölämpötila:	-35 °C ... + 70 °C
Hyväksyntä:	



OHJE

Anturit voi maalata. Valmistaja suosittelee, että annat huoltoliikkeen maalata anturit.

Прочтите данную инструкцию перед монтажом и вводом в эксплуатацию и сохраните ее. В случае передачи продукта передайте инструкцию следующему пользователю.

Оглавление

1	Пояснение к символам	162
2	Указания по безопасности и монтажу	162
3	Комплект поставки	163
4	Принадлежности	164
5	Использование по назначению	164
6	Указания перед монтажом	164
7	Монтаж парковочного радара	166
8	Подключение парковочного радара	167
9	Регистрация и идентификация датчиков	168
10	Диапазон охвата	169
11	Настройка системы	170
12	Проверка работы	171
13	Использование парковочного радара	172
14	Локализация неисправностей	172
15	Гарантия	174
16	Утилизация	174
17	Технические характеристики	175

1 Пояснение к символам



ПРЕДУПРЕЖДЕНИЕ!

Указания по технике безопасности: Несоблюдение может привести к смертельному исходу или тяжелым травмам.



ВНИМАНИЕ!

Несоблюдение может привести к повреждениям и нарушить работу продукта.



УКАЗАНИЕ

Дополнительная информация по управлению продуктом.

2 Указания по безопасности и монтажу

Следующие тексты лишь дополняют иллюстрации на вкладыше. Сами они не являются полными указаниями по монтажу и эксплуатации! Обязательно принимайте во внимание иллюстрации на вкладыше!

Соблюдайте указания по технике безопасности и требования, предписанные изготовителем автомобиля и автомастерской!

Соблюдайте требования действующего законодательства.

Изготовитель не несет никакой ответственности за ущерб в следующих случаях:

- Повреждения продукта из-за механических воздействий и перенапряжений
- Изменения в продукте, выполненные без однозначного разрешения изготовителя
- Использование в целях, отличных от указанных в данной инструкции



ПРЕДУПРЕЖДЕНИЕ!

- Крепите установленные в автомобиле детали парковочного радара так, чтобы они ни при каких условиях (резком торможении, аварии) не могли отсоединиться, тем самым **приводя к травмам пассажиров.**
- Не крепите устанавливаемые в автомобиле детали парковочного радара в радиусе действия надувных подушек безопасности. В противном случае имеется опасность травмирования в случае срабатывания надувной подушки безопасности.

- Парковочный радар служит для дополнительной поддержки, т. е. он не освобождает вас от обязанности соблюдать повышенную осторожность при маневрировании.



ВНИМАНИЕ!

- В автомобилях со светодиодными задними фонарями установка парковочного радара может приводить к неисправностям.
- Если вы хотите установить датчики в металлический бампер, то вам требуется подходящий адаптер (не входит в объем поставки).
- Электроника управления не должна подвергаться действию влаги.
- Запрещается устанавливать управляющую электронику вблизи других модулей управления.
- Датчики не должны перекрывать сигнальные лампы.
- При монтаже датчиков следите за тем, чтобы ни один из стационарно установленных на автомобиле объектов (например, крепление для перевозки велосипедов) не находился в диапазоне охвата датчиков.

3 Комплект поставки

См. рис. 1

№	Кол-во	Наименование	Арт. №
1	1	Электроника управления	9101500069
2	1	Динамик	
3	1	Соединительный кабель электроники управления	
4	1	Распределитель датчиков	9101500067
5	6	Ультразвуковые датчики с соединительным кабелем	9101500070
6	6	Держатель датчика 0° с предохранительным кольцом	
7	6	Держатель датчика 10° с предохранительным кольцом	
-	2	Удлинительный кабель 3 м	
-	1	Крепежный материал	

4 Принадлежности

Продается в качестве принадлежности (не входит в комплект поставки):

Наименование	Арт. №
Держатель датчика для металлических бамперов	9101500015
Удлинительный кабель датчика 1,5 м	9103555747
Держатель датчика для внутренней установки (рис. 13 1)	9101500078
Резиновый держатель датчика для поверхностного монтажа (рис. 13 2)	9101500071
Динамик	MWD-900
ЖК-дисплей	9101500079

5 Использование по назначению

Dometic MWE 7006 (арт. № 9600000359) представляет собой парковочный радар на базе ультразвуковой технологии. Он контролирует пространство позади автомобиля при маневрировании и подает акустическую сигнализацию препятствий, распознанных прибором.

MWE 7006 предназначен для монтажа в кемперы.

6 Указания перед монтажом

6.1 Лакирование датчиков

См. рис. 2



УКАЗАНИЕ

Разрешается покрывать датчики лаком. Изготовитель рекомендует доверять лакирование датчиков специализированной мастерской.

6.2 Определение места монтажа датчиков

См. рис. **3** – рис. **6**



УКАЗАНИЕ

Важным условием бесперебойной работы прибора является правильная регулировка датчиков.

Если они обращены к земле, то, например, неровности дороги распознаются как препятствия. Если они подняты слишком сильно вверх, то имеющиеся препятствия не распознаются.

При монтаже соблюдайте следующие указания:

- Зона вокруг датчиков должна быть свободна от других объектов.
- Расстояние от датчиков до земли должно составлять не менее 45 см и не более 60 см (рис. **3**).
- Учтите, что угол монтажа зависит от высоты монтажа. Выберите согласно таблице на рис. **3** подходящий держатель датчика, а также соответствующий диаметр отверстий.
- Если установлено крепление для перевозки велосипедов, то установите датчики на расстоянии не менее 30 см под ним (рис. **4**).

Дополнение к рис. **6**

- Учитывайте расстояния от датчиков.



УКАЗАНИЕ

Вы можете также распределить датчики так, как показано в альтернативах В и С.

7 Монтаж парковочного радара

См. рис. **7** – рис. **10**

Дополнение к рис. **3**



ВНИМАНИЕ! Опасность неполадок в работе!

Расположите держатель датчика так, чтобы крепежные выступы располагались горизонтально. В противном случае не гарантируется должная работа парковочного радара.

- ▶ Вставьте держатель датчика в отверстие так, чтобы он надежно зафиксировался.

Дополнение к рис. **10**

- ▶ Убедитесь в том, что динамик включен (положение «Middle» или «High»).

8 Подключение парковочного радара

См. рис. 11



УКАЗАНИЕ

В некоторых автомобилях фара заднего хода работает только при включенном зажигании. В этом случае для распознавания положительного и заземляющего провода необходимо включить зажигание.

№	Наименование	Гнездо Штекер
1	Электроника управления	–
2	Фара заднего хода	–
3	Сине-черная жила: присоединение к фаре заднего хода	14
4	Коричневая жила: соединение с корпусом	2
5	Желтая жила динамика	15
6	Синяя жила динамика	3
7	Красно-серая жила: присоединение к разъему отключения звука радиоприемника (опция)	6
8	Соединительный кабель датчиков	9/21 (12/24) (10/22) (11/23)
9	Датчики	–

9 Регистрация и идентификация датчиков

Датчики и их положение должны быть зарегистрированы устройством управления. При этом соблюдайте следующий порядок действий:

- Включите зажигание.
- Включите передачу заднего хода.
- ✓ Устройство управления регистрирует подключенные датчики.
- ✓ На дисплее устройства управления появляется сообщение **LE**.
- ✓ Динамик многократно подает короткие звуковые сигналы.

Когда регистрация завершена, на дисплее мигает сообщение **LE**. Теперь датчики должны быть идентифицированы устройством управления.

- Установите автомобиль так, чтобы вокруг него имелось свободное пространство шириной не менее 1,5 м, чтобы исключить обнаружение датчиками каких-либо препятствий.
- Выключите и снова включите зажигание.
- Включите передачу заднего хода.
- Нажмите обе кнопки на устройстве управления вместе более чем на три секунды.
- ✓ Устройство управления регистрирует подключенные датчики.

Когда регистрация завершена, динамик подает длительный акустический сигнал. Теперь датчики должны быть идентифицированы устройством управления.

На дисплее появляется бегущий огонь, динамик многократно подает короткие звуковые сигналы.

- Соблюдайте следующий порядок действий согласно выбранной альтернативе монтажа (рис. **6**):
 - Альтернатива А: Используйте объект площадью ок 0,5 м² (например, кусок плотного картона) и обойдите один за другим датчики 1 – 6 (рис. **12** А)
 - Альтернатива В и С: Начиная от двери водителя, обойдите автомобиль от первого до последнего датчика (рис. **12** В и С).
- ✓ Динамик подтверждает каждый найденный датчик коротким акустическим сигналом.

Когда идентификация завершена, динамик подает длительный акустический сигнал.



УКАЗАНИЕ

Если во время процедуры возникает ошибка, можно заново начать процедуру, нажав обе кнопки вместе более, чем на три секунды.

10 Диапазон охвата

См. рис. 14

Диапазон охвата парковочного радара разделен на четыре зоны:

- **Зона 1**

Эта зона – первая опасная зона. В ней, при известных обстоятельствах, не распознаются небольшие или плохо отражающие предметы.

- **Зона 2**

В этой зоне отображаются почти все объекты.

- **Зона 3**

В этой зоне отображаются почти все объекты, но некоторые предметы могут попасть в «мертвую зону» датчиков.

- **Зона остановки (4)**

Обнаружение объектов в этой зоне ведет к тому, что парковочный радар непрерывным сигналом «Стоп» предупреждает о необходимости остановки.

В этой зоне отображаются почти все объекты, но некоторые предметы могут попасть в «мертвую зону» датчиков.

Такие объекты, как, например, крепление для перевозки велосипедов или запасные колеса, не должны находиться в диапазоне охвата датчиков, т. к. это ведет к неверной сигнализации.

Сигнализацию стационарных объектов, например, фаркопа или части запасного колеса, можно исключить (параметры 51, 52 и 53).

11 Настройка системы

См. рис. 14 – рис. 17



ПРЕДУПРЕЖДЕНИЕ!

Неадекватные настройки могут повлиять на надежность работы.

Электроника управления имеет следующие органы управления:

№ на рис. 15	Наименование		
1	Дисплей	F5	Активированы заводские настройки
		£5	Выполнены собственные настройки
2, 3	Кнопки для настройки системы		



УКАЗАНИЕ

- Для сохранения настроек включите заднюю передачу и подождите 2 секунды.
- Для отмены настройки параметра **без сохранения** или для завершения всего процесса настройки: продолжительное время не нажимайте ни какую кнопку.

Восстановление заводской настройки

- Нажмите правую кнопку более чем на 2 секунды, чтобы попасть в режим программирования.
- На дисплее появляется сообщение 01.
- Нажмите обе кнопки вместе более двух секунд.
- ✓ На дисплее появляется F5.

Деактивирование при использовании крепления для перевозки велосипедов или прицепа



УКАЗАНИЕ

Вы можете запрограммировать контакт 17 или для переключения зон остановки, **или** для деактивирования при использовании прицепа.

С помощью внешнего выключателя (не входит в комплект поставки) вы можете:

- переключить стандартную зону остановки (параметры **47**, **48** и **49**) на более высокую зону остановки (параметры **61**, **62** и **63**), если вы используете крепление для перевозки велосипедов и откидываете его.
- деактивировать парковочный радар на время использования прицепа.

При этом соблюдайте следующий порядок действий:

- Соедините контакт 17 штекера соединительного кабеля через внешний выключатель на корпус.
- **Только для прицепа:** Установите параметр **56** на значение **00**.

Исключение сигнализации фаркопа или наружного запасного колеса

- Установите параметры **51**, **52** и **53** соответственно расположению фаркопа и запасного колеса.

12 Проверка работы

При проверке работы датчиков соблюдайте следующий порядок действий:

- Включите зажигание и передачу заднего хода.

При первоначальном вводе в работу соблюдайте предельную осторожность и ознакомьтесь с различными звуковыми сигналами.



ПРЕДУПРЕЖДЕНИЕ!

В зоне 4 может возникать ситуация, когда препятствия более не распознаются, т. к. они находятся вне диапазона охвата датчиков (что вызвано конструктивными особенностями).

13 Использование парковочного радара

Датчики активируются автоматически при включении передачи заднего хода, если включено зажигание или работает двигатель. Звучит сигнал активирования (два коротких звуковых сигнала).

Как только в диапазон охвата попадает препятствие, звучит равномерно повторяющийся звуковой сигнал.

При приближении к препятствию, в зависимости от того, в какой зоне сейчас находится препятствие, звуковая сигнализация изменяется, тем самым указывая расстояние.

При первоначальном вводе в работу соблюдайте предельную осторожность, чтобы ознакомиться с сигнализацией расстояния различными звуковыми сигналами.



ПРЕДУПРЕЖДЕНИЕ!

Незамедлительно остановите автомобиль и проверьте ситуацию (при необходимости, выйдите из автомобиля), если при маневрировании происходит следующее:

При маневрировании прибор вначале сигнализирует препятствие, и последовательность звуковых сигналов становится абсолютно нормально быстрее (например, переход с низкой на среднюю частоту подачи звуковых сигналов). Внезапно частота подачи звуковых сигналов уменьшается, либо прибор вообще перестает сигнализировать препятствие.

Это означает, что первоначальное препятствие более не находится в диапазоне охвата датчиков (что вызвано конструктивными особенностями), но все еще существует опасность столкновения с ним.

14 Локализация неисправностей

Прибор не работает

Соединительные кабели с фарой заднего хода не имеют контакта или перепутаны местами.

Штекеры датчиков не вставлены в блок электроники управления или вставлены неправильно.

- Проверьте штекеры и, при необходимости, вставьте их повторно так, чтобы они зафиксировались.

Низкий сигнал неисправности на три секунды после включения передачи заднего хода

Один или несколько датчиков неисправны или больше не соединены с электроникой управления. На дисплее указывается неисправный датчик:

- например, *E1* – неисправность датчика 1
Датчик 1 имеет самый короткий соединительный кабель, датчик 6 – самый длинный.
- Если неисправно несколько датчиков, то они указываются один за другим.
- Проверьте штекеры и, при необходимости, вставьте их повторно так, чтобы они зафиксировались.
- Замените неисправный датчик или датчики.



ВНИМАНИЕ!

Система не функционирует, если неисправен один или несколько датчиков.

Отсутствуют акустические сигналы

Динамик выключен или неправильно присоединен.

- Убедитесь в том, что динамик включен.
- Убедитесь в том, что динамик правильно присоединен.
- Установите параметр *D1* на значение «1» или «2» (см. гл. «Настройка системы» на стр. 170).

Прибор неверно сигнализирует препятствия

Следующие причины могут приводить к неверной сигнализации:

- Грязь или лед на датчиках.
- Очистите датчики.
- Датчики были неправильно установлены.
- Отрегулируйте положение датчиков (рис. **3**).
- При необходимости, посредством параметров *Ч1*, *Ч2* и *Ч3* настройте чувствительность датчиков (см. гл. «Настройка системы» на стр. 170).
- Датчики имеют контакт с рамой ходовой части.
- Устраните контакт датчиков с рамой ходовой части.

Запасное колесо вызывает неверные сигналы

- Установите параметры **51**, **52** и **53** соответственно расположению запасного колеса (см. гл. «Настройка системы» на стр. 170).

Объекты на автомобиле (например, фаркоп) вызывают неверные сигналы

- Установите параметры **51**, **52** и **53** соответственно расположению объекта на значение **00** или **01** (см. гл. «Настройка системы» на стр. 170).
- Сместите зону остановки посредством параметров **47**, **48** и **49** соответственно расположению объекта (см. гл. «Настройка системы» на стр. 170).

15 Гарантия

Действителен установленный законом срок гарантии. Если продукт неисправен, обратитесь в представительство изготовителя в Вашей стране (адреса см. на оборотной стороне инструкции) или в торговую организацию.

В целях проведения ремонта или гарантийного обслуживания Вы должны также послать следующее:

- неисправные компоненты,
- копию счета с датой покупки,
- причину рекламации или описание неисправности.


16 Утилизация

- По возможности, выкидывайте упаковочный материал в мусор, подлежащий вторичной переработке.



Если Вы окончательно выводите продукт из эксплуатации, то получите информацию в ближайшем центре по вторичной переработке или в торговой сети о соответствующих предписаниях по утилизации.

17 Технические характеристики

	MWE 7006
Арт. №:	9600000359
Диапазон охвата:	от ок. 0,60 м до 3 м
Частота ультразвуковых колебаний:	58 кГц
Напряжение питания:	10 – 32 В
Потребляемый ток:	макс. 350 мА
Рабочая температура:	от – 35 °С до 70 °С
Допуск:	



УКАЗАНИЕ

Разрешается покрывать датчики лаком. Изготовитель рекомендует доверять лакирование датчиков специализированной мастерской.

Przed instalacją i uruchomieniem urządzenia należy uważnie przeczytać niniejszą instrukcję. Instrukcję należy zachować. W razie przekazywania urządzenia należy ją udostępnić kolejnemu nabywcy.

Spis treści

1	Objaśnienie symboli	177
2	Wskazówki dotyczące bezpieczeństwa i montażu	177
3	W zestawie	178
4	Osprzęt	179
5	Użytkowanie zgodne z przeznaczeniem	179
6	Wskazówki przed montażem	179
7	Montaż systemu parkowania	180
8	Podłączanie systemu parkowania	181
9	Rejestracja i identyfikacja czujników	182
10	Zasięg wykrywania	183
11	Ustawienia systemu	184
12	Testowanie działania	185
13	Korzystanie z systemu parkowania	186
14	Wykrywanie usterek	186
15	Gwarancja	188
16	Utylizacja	188
17	Dane techniczne	189

1 Objąśnienie symboli

**OSTRZEŻENIE!**

Wskazówka dot. bezpieczeństwa: Nieprzestrzeganie może prowadzić do śmierci lub ciężkich obrażeń ciała.

**UWAGA!**

Nieprzestrzeganie może prowadzić do powstania szkód materialnych i zakłóceń w działaniu produktu.

**WSKAZÓWKA**

Informacje uzupełniające dot. obsługi produktu.

2 Wskazówki dotyczące bezpieczeństwa i montażu

Poniższe teksty są jedynie uzupełnieniem do rysunków w załączniku. Same nie stanowią kompletnej instrukcji montażu i obsługi! Należy koniecznie uwzględnić rysunki znajdujące się w załączniku!

Należy stosować się do zasad bezpieczeństwa i dokumentacji udostępnianych przez producenta i warsztaty serwisowe!

Należy stosować się do obowiązujących przepisów ustawowych.

Producent nie odpowiada za szkody spowodowane:

- uszkodzeniem produktu w sposób mechaniczny lub spowodowany przeciążeniami elektrycznymi
- zmianami dokonanyymi w produkcie bez wyraźnej zgody producenta
- użytkowaniem w celach innych niż opisane w niniejszej instrukcji

**OSTRZEŻENIE!**

- Części systemu parkowania montowane w pojeździe należy zamontować tak, aby w żadnych warunkach nie mogło dojść do ich poluzowania (ostre hamowanie, wypadek komunikacyjny), a w konsekwencji do **obrażeń ciała pasażerów.**

- Elementy systemu parkowania umieszczane w pojeździe należy zamontować poza obszarem działania poduszki powietrznej. W przeciwnym wypadku w razie uruchomienia się poduszki powietrznej może dojść do obrażeń ciała.
- System parkowania należy traktować jako dodatkowe wyposażenie pomocnicze; stosowanie go nie zwalnia z obowiązku zachowania szczególnej ostrożności podczas manewrowania.



UWAGA!

- W przypadku pojazdów ze światłami wstecznymi typu LED montaż systemu parkowania może powodować zakłócenia.
- Do zamontowania czujników w metalowym zderzaku wymagany jest odpowiedni adapter (nie należący do zakresu dostawy).
- Sterowniki elektryczne nie mogą być narażone na wilgoć.
- Elektroniczny układ sterujący nie może być montowany w pobliżu innych modułów sterujących.
- Czujniki nie mogą zakrywać lampek sygnalizacyjnych.
- Podczas montażu czujników należy sprawdzić, czy w ich zasięgu wykrywania nie znajdują się elementy zamocowane na stałe (np. bagażnik na rowery).

3 W zestawie

Zobacz rys. **1**

Nr	Ilość	Nazwa	Nr produktu
1	1	Sterownik elektroniczny	9101500069
2	1	Głośnik	
3	1	Przewód przyłączeniowy sterownika elektronicznego	
4	1	Rozdzielacz czujników	9101500067
5	6	Czujniki ultradźwiękowe z kablem przyłączeniowym	9101500070
6	6	Uchwyt czujnika 0° z pierścieniem osłaniającym	
7	6	Uchwyt czujnika 10° z pierścieniem osłaniającym	
–	2	Kabel przedłużający 3 m	
–	1	Materiał mocujący	

4 Osprzęt

Elementy dostępne jako osprzęt (nieobjęte zakresem dostawy):

Nazwa	Nr produktu
Uchwyt czujnika do metalowego zderzaka	9101500015
Przewód przedłużający do czujnika 1,5 m	9103555747
Wspornik czujnika podwozia (rys. 13 1)	9101500078
Gumowy uchwyt czujnika do montażu na zewnątrz (rys. 13 2)	9101500071
Głośniki	MWD-900
Wyświetlacz diodowy	9101500079

5 Użytkowanie zgodne z przeznaczeniem

Dometic MWE 7006 (nr produktu 9600000359) to system parkowania oparty na czujnikach ultradźwiękowych. Monitoruje on podczas manewrowania przestrzeń za pojazdem i ostrzega za pomocą sygnałów dźwiękowych przed przeszkodami wykrywanymi przez czujniki.

System MWE 7006 jest przeznaczony do stosowania w kamperach.

6 Wskazówki przed montażem

6.1 Lakierowanie czujników

Zobacz rys. 2



WSKAZÓWKA

Czujniki można lakierować. Producent zaleca lakierowanie w specjalistycznym warsztacie.

6.2 Ustalanie miejsca montażu czujników

Zob. rys. **3** do rys. **6**



WSKAZÓWKA

Aby urządzenie działało prawidłowo, należy właściwie ustawić czujniki. W przypadku skierowania ich na ziemię będą one sygnalizowały jako przeszkodę również np. nierówności podłoża. Jeśli natomiast będą skierowane zbyt wysoko, nie wykryją rzeczywistych przeszkód.

Podczas montażu należy stosować się do następujących zasad:

- W obszarze dookoła czujników nie mogą znajdować się inne obiekty.
- Odległość czujników od podłoża powinna wynosić od 45 cm do 60 cm (rys. **3**).
- Należy uwzględnić, że kąt montażu zależy od wysokości montażu. Uchwyty i średnicę otworu wierconego należy wybrać na podstawie tabeli na rys. **3**.
- Gdy zamontowany jest uchwyt rowerowy, czujniki zamontować minimum 30 cm poniżej (rys. **4**).

Uzupełnienie do rys. 6

- Uwzględnić odstęp między czujnikami.



WSKAZÓWKA

Czujniki można rozdzielić także w taki sposób, jak przedstawiono w alternatywie B i C.

7 Montaż systemu parkowania

Zob. rys. **7** do rys. **10**

Uzupełnienie do rys. 8



UWAGA! Zagrożenie bezzakłóceńowej pracy urządzenia!

Tak ustawić uchwyty czujników, aby występy mocujące znajdowały się poziomo. W innym przypadku nie gwarantuje się prawidłowego działania systemu parkowania.

- Wsunąć uchwyty czujników w otwory, aż się w nich zablokują.

Uzupełnienie do rys. 10

- Upewnić się, czy głośnik jest włączony (pozycja „Middle” lub „High”).

8 Podłączanie systemu parkowania

Zobacz rys. 11



WSKAZÓWKA

W niektórych pojazdach światła cofania działają tylko przy włączonym zapłonie. Wówczas należy włączyć zapłon, aby określić przewód dodatni i przewód masowy.

Nr	Nazwa	Gniazdo wtyczki
1	Sterownik elektroniczny	–
2	Światła cofania	–
3	Żyła niebieska/czarna: podłączenie do świateł cofania	14
4	Żyła brązowa: podłączenie do masy	2
5	Żółta żyła od głośnika	15
6	Niebieska żyła od głośnika	3
7	Żyła czerwona/szara: podłączenie do funkcji ściszenia radia (opcjonalne)	6
8	Przewód przyłączeniowy czujników	9/21 (12/24) (10/22) (11/23)
9	Czujniki	–

9 Rejestracja i identyfikacja czujników

Czujniki i ich pozycje muszą zostać zarejestrowane przez sterownik. W tym celu należy wykonać następujące czynności:

- Włączyć zapłon.
- Włączyć bieg wsteczny.
- ✓ Sterownik rejestruje podłączone czujniki.
- ✓ Na wyświetlaczu na sterowniku pojawia się wskazanie **LE**.
- ✓ Z głośnika wydobywają się powtarzane krótkie dźwięki.

Po zakończeniu rejestracji na wyświetlaczu miga wskazanie **LE**. Teraz czujniki muszą zostać zidentyfikowane przez sterownik.

- Tak ustawić pojazd, aby dookoła niego na 1,5 m była zachowana wolna przestrzeń, aby czujniki nie wykrywały żadnych przeszkód.
- Wyłączyć i ponownie włączyć zapłon.
- Włączyć bieg wsteczny.
- Wcisnąć oba przyciski na sterowniku na ponad trzy sekundy.
- ✓ Sterownik rejestruje podłączone czujniki.

Po zakończeniu rejestracji z głośnika wydobywa się długi dźwięk. Teraz czujniki muszą zostać zidentyfikowane przez sterownik.

Na wyświetlaczu pojawia się przemieszczające się światło, a z głośnika wydobywają się powtarzające się krótkie dźwięki.

- Postępować zgodnie z wybraną alternatywą montażu (rys. **6**) w następujący sposób:
 - Alternatywa A: Użyć przedmiotu o powierzchni ok. 0,5 m² (np. kawałek twardej tektury) i przesunąć kolejno przed czujnik 1 do 6 (rys. **12** A)
 - Alternatywa B i C: Przejść od drzwi kierowcy dookoła pojazdu od pierwszego do ostatniego czujnika (rys. **12** B i C).
- ✓ Każdy rozpoznany czujnik jest potwierdzany krótkim sygnałem dźwiękowym z głośnika.

Po zakończeniu identyfikacji z głośnika wydobywa się długi dźwięk.



WSKAZÓWKA

Gdy podczas tego procesu wystąpi błąd, można go powtórzyć przez wciśnięcie obu przycisków na ponad trzy sekundy.

10 Zasięg wykrywania

Zobacz rys. 14

Zasięg wykrywania systemu parkowania jest podzielony na cztery strefy:

- **Strefa 1**

Strefa ta to pierwszy obszar graniczny. Niekiedy nie są tu wykrywane drobne przedmioty i obiekty słabo odbijające ultradźwięki.

- **Strefa 2**

W tej strefie sygnalizowane są prawie wszystkie obiekty.

- **Strefa 3**

Sygnalizowana jest tu obecność niemal wszystkich obiektów, ale czasem przedmioty mogą się znaleźć w martwym kącie czujników.

- **Strefa zatrzymania (4)**

Obiekty znajdujące się w tej strefie powodują włączenie stałego sygnału „Stop”.

Sygnalizowana jest tu obecność niemal wszystkich obiektów, ale czasem przedmioty mogą się znaleźć w martwym kącie czujników.

W obszarze wykrywania czujników nie mogą znajdować się obiekty takie jak uchwyt na rowery lub koła zapasowe, ponieważ powodują one błędne wskazania.

Możliwe jest wyłączenie wykrywania stałych obiektów, jak np. sprzęgu przyczepy lub części koła zapasowego (parametry 51, 52 i 53).

11 Ustawienia systemu

Zob. rys. 14 do rys. 17



OSTRZEŻENIE!

Nieprawidłowe ustawienia mogą wpływać ujemnie na funkcjonowanie systemu.

Sterownik elektroniczny posiada następujące elementy obsługi.

Nr na rys. 15	Nazwa		
1	Wyświetlacz	F5	Ustawienia fabryczne włączone
		£5	Wprowadzone własne ustawienia
2, 3	Przyciski do ustawiania systemu		



WSKAZÓWKA

- W celu zapisania ustawień, wcisnąć sprzęgło, włączyć bieg wsteczny i odczekać 2 sekundy.
- Aby przerwać ustawianie parametru **bez zapamiętywania** lub zakończyć cały proces ustawiania: Nie naciskać przez dłuższy czas żadnego przycisku.

Przywracanie ustawień fabrycznych

- ▶ Prawy przycisk wcisnąć na ponad 2 sekundy i przejść do trybu programowania.
- ▶ Na wyświetlaczu pojawi się 01.
- ▶ Wcisnąć oba przyciski na ponad dwie sekundy.
- ✓ Na wyświetlaczu pojawi się F5.

Wyłączanie w przypadku używania uchwytu na rower lub przyczepey



WSKAZÓWKA

Styk 17 można zaprogramować do przełączania stref zatrzymania **lub** do dezaktywacji czujników w przypadku używania przyczepey.

Można zastosować przełącznik zewnętrzny (nie zawarty w zakresie dostawy), aby:

- przełączać standardową strefę zatrzymania (parametry **47**, **48** i **49**) na wyższą strefę zatrzymania (parametry **51**, **52** i **53**) w przypadku używania rozłożonego uchwytu na rower.
- wyłączać system parkowania podczas korzystania z przyczepey.

W tym celu należy wykonać następujące czynności:

- Styk 17 wtyczki kabla przyłączeniowego połączyć z masą poprzez zewnętrzny przełącznik.
- **Tylko dla przyczepey:** Ustawić parametr **56** na wartość **00**.

Wyłączanie wskazywania sprzęgu przyczepey lub zewnętrznego koła zapasowego

- Ustawić parametry **51**, **52** i **53** odpowiednio do danego sprzęgu przyczepey i koła zapasowego.

12 Testowanie działania

Podczas testowania działania czujników należy wykonać następujące czynności:

- Uruchomić zapłon i włączyć bieg wsteczny.

Uruchamiając system po raz pierwszy, należy zachować najwyższą ostrożność i poznać się z różnymi częstotliwościami dźwięków.



OSTRZEŻENIE!

W strefie 4 może się zdarzyć, że przeszkody nie będą już rozpoznawane, gdyż nie znajdą się one już w obszarze wykrywania czujników (w zależności od konstrukcji).

13 Korzystanie z systemu parkowania

Czujniki włączają się automatycznie przy włączaniu biegu wstecznego, jeśli włączony został zapłon lub działa silnik. Rozlega się sygnał aktywacji (dwa krótkie dźwięki).

W momencie pojawienia się przeszkody w strefie wykrywania rozlega się powtarzany równomiernie sygnał.

Podczas zbliżania się do przeszkody – w zależności od tego, w której strefie ona się znajduje, zmienia się częstotliwość dźwięku, a tym samym sygnalizowana jest odległość od przeszkody.

Uruchamiając system po raz pierwszy, należy zachować najwyższą ostrożność i zapoznać się z sygnalizacją odległości za pomocą różnych częstotliwości dźwięków.



OSTRZEŻENIE!

Jeżeli podczas manewrowania wystąpi jeden z opisanych poniżej przypadków, należy natychmiast zatrzymać pojazd i ocenić sytuację (w razie potrzeby wysiąść):

Podczas manewrowania urządzenie sygnalizuje najpierw przeszkodę i częstotliwość sygnału „wzrasta” (np. zmiana z małej na średnią częstotliwość dźwięku). Nagle sygnał dźwiękowy „przeskakuje” na małą częstotliwość lub nie wskazuje już żadnej przeszkody.

Oznacza to, że sygnalizowana pierwotnie przeszkoda nie znajduje się już w strefie wykrywania (jest to uwarunkowane rodzajem konstrukcji), ale nadal stanowi zagrożenie.

14 Wykrywanie usterek

Urządzenie nie działa.

Przewody przyłączeniowe do świateł cofania nie mają styku lub zostały zamienione.

Wtyczki czujników nie zostały włożone, bądź zostały włożone nieprawidłowo do modułu sterującego.

- Sprawdzić wtyczki i w razie potrzeby wcisnąć je aż do zatrzaśnięcia.

Niski sygnał usterki przez trzy sekundy po włączeniu biegu wstecznego

Jeden lub kilka czujników jest uszkodzonych lub nie są podłączone do sterownika elektrycznego. Wyświetlacz pokazuje uszkodzony czujnik.

- np. **E1** dla czujnika 1
Czujnik 1 ma najkrótszy kabel przyłączeniowy, a czujnik 6 najdłuższy.
- Gdy uszkodzony jest więcej niż jeden czujnik, zostaną one pokazane po kolej.
- Sprawdzić wtyczki i w razie potrzeby wcisnąć je aż do zatrzaśnięcia.
- Wymienić uszkodzony czujnik lub czujniki.



UWAGA!

Jeśli czujnik jest uszkodzony, system nie działa.

Brak sygnałów akustycznych

Głośnik jest wyłączony lub nieprawidłowo podłączony.

- Sprawdzić, czy głośnik jest włączony.
- Sprawdzić, czy głośnik jest prawidłowo podłączony.
- Ustawić parametr **07** na wartość „1” lub „2” (patrz rozdz. „Ustawienia systemu” na stronie 184).

Urządzenie nieprawidłowo sygnalizuje przeszkody

Przyczyny nieprawidłowych alarmów mogą być następujące:

- Zabrudzenie lub szron na czujnikach.
- Oczyszczyć czujniki.
- Czujniki zostały nieprawidłowo zamontowane.
- Dostosować położenie czujników (rys. **3**).
- Za pomocą parametrów **41**, **42** i **43** ustawić czułość czujników (patrz rozdz. „Ustawienia systemu” na stronie 184).
- Czujniki mają kontakt z podwoziem.
- Oddzielić czujniki od podwozia.

Koło zapasowe powoduje fałszywe alarmy

- Ustawić parametry **51**, **52** i **53** odpowiednio do danego koła zapasowego (patrz rozdz. „Ustawienia systemu” na stronie 184).

Obiekty na pojeździe (np. sprzęg przyczepy) powodują fałszywe alarmy

- ▶ Ustawić parametry **51**, **52** i **53** odpowiednio do danego obiektu na wartość **00** lub **01** (patrz rozdz. „Ustawienia systemu” na stronie 184).
- ▶ Przeszawić strefę zatrzymania za pomocą parametrów **47**, **48** i **49** odpowiednio do obiektu (patrz rozdz. „Ustawienia systemu” na stronie 184).

15 Gwarancja

Warunki gwarancji zostały opisane w Karcie Gwarancyjnej dołączonej do produktu.

W celu naprawy lub rozpatrzenia gwarancji konieczne jest przesłanie:

- uszkodzonych komponentów,
- kopii rachunku z datą zakupu,
- informacji o przyczynie reklamacji lub opisu wady.


16 Utylizacja

- ▶ Opakowanie należy wyrzucić do odpowiedniego pojemnika na śmieci do recyklingu.



Jeżeli produkt nie będzie dłużej eksploatowany, koniecznie dowiedz się w najbliższym zakładzie recyklingu lub w specjalistycznym sklepie, jakie są aktualnie obowiązujące przepisy dotyczące utylizacji.

17 Dane techniczne

	MWE7006
Nr produktu:	9600000359
Zasięg wykrywania:	od ok. 0,60 m do 3 m
Częstotliwość ultradźwięków:	58 kHz
Napięcie zasilające:	10 – 32 V
Pobór prądu:	maksymalnie 350 mA
Temperatura robocza:	-35 °C do +70 °C
Atest:	



WSKAZÓWKA

Czujniki można lakierować. Producent zaleca lakierowanie w specjalistycznym warsztacie.

Pred montážou a uvedením do prevádzky si prosím pozorne prečítajte tento návod a odložte si ho. V prípade odovzdania výrobku ďalšiemu používateľovi mu odovzdajte aj tento návod.

Obsah

1	Vysvetlenie symbolov	191
2	Pokyny k bezpečnosti a montáži	191
3	Obsah dodávky	192
4	Príslušenstvo	193
5	Správne používanie.	193
6	Upozornenia pred montážou	193
7	Montáž parkovacieho asistenta	194
8	Zapojenie parkovacieho asistenta	195
9	Registrácia a identifikácia senzorov	196
10	Dosah snímania	197
11	Nastavenie systému	198
12	Testovanie činnosti	199
13	Používanie parkovacieho asistenta.	200
14	Zisťovanie porúch	200
15	Záruka	202
16	Likvidácia	202
17	Technické údaje	203

1 Vysvetlenie symbolov



VÝSTRAHA!

Bezpečnostný pokyn: Nerešpektovanie môže viesť k smrti alebo k ťažkému zraneniu.



POZOR!

Nerešpektovanie môže viesť k materiálnym škodám a môže ovplyvniť funkciu zariadenia.



POZNÁMKA

Doplňujúce informácie k obsluhu výrobku.

2 Pokyny k bezpečnosti a montáži

Nasledujúce texty dopĺňajú len obrázky na prílohe. Samotné texty nie sú úplné pokyny na montáž a obsluhu! Všimnite si bezpodmienečne obrázky na prílohe!

Dodržiavajte bezpečnostné pokyny a podmienky predpísané výrobcom vozidla a združením automobilového priemyslu!

Dodržiavajte platné zákonné predpisy.

Výrobca v nasledujúcich prípadoch nepreberá za škody žiadnu záruku:

- Poškodenia produktu mechanickými vplyvmi a prepätiami
- Zmeny produktu bez vyjadreného povolenia výrobcu
- Použitie na iné účely ako sú účely uvedené v návode



VÝSTRAHA!

- Upevnite časti parkovacieho asistenta namontované vo vozidle tak, aby sa za žiadnych okolností (prudké zabrzdzenie, dopravná nehoda) neuvolnili a nemohli spôsobiť **poranenia posádky vozidla**.
- Časti parkovacieho asistenta nemontujte vo vozidle v dosahu airbagov. Ináč hrozí nebezpečenstvo poranenia, keď sa airbag aktivuje.
- Parkovací asistent by vám mal len pomáhať, t. j. prístroj vás nezbavuje povinnosti opatrnosti počas posunovania a cúvania.

**POZOR!**

- Pri vozidlách s LED spätnými svetlami môže montáž parkovacieho asistenta spôsobovať poruchy.
- Keď chcete senzory namontovať do kovového nárazníka, použite vhodný adaptér (nie je súčasťou dodávky).
- Riadiace elektroniky nesmú byť vystavené vlhkosti.
- Riadiacu elektroniku nesmiete montovať v blízkosti ostatných riadiacich modulov.
- Senzory nesmú zakrývať signálne svetlá.
- Pri montáži senzorov dbajte na to, aby sa v dosahu snímania senzorov nenachádzali žiadne pevne zabudované objekty (napr. nosič bicyklov).

3 Obsah dodávky

Pozri obr. 1

Č.	Množstvo	Označenie	Č. výrobku
1	1	Riadiaca elektronika	9101500069
2	1	Reproduktor	
3	1	Prípojný kábel riadiacej elektroniky	
4	1	Rozdeľovač senzorov	9101500067
5	6	Ultrazvukové senzory s prípojným káblom	9101500070
6	6	Držiak senzorov 0° s krycím krúžkom	
7	6	Držiak senzorov 10° s krycím krúžkom	
-	2	Predlžovací kábel 3 m	
-	1	Upevňovací materiál	

4 Príslušenstvo

Dostupné ako príslušenstvo (nie je súčasťou dodávky):

Označenie	Č. výrobku
Držiak senzorov pre nárazník z kovu	9101500015
Predlžovací kábel senzora 1,5 m	9103555747
Spodný držiak senzorov (obr. 13 1)	9101500078
Držiak gumených senzorov pre montáž na karosériu (obr. 13 2)	9101500071
Reproduktor	MWD-900
LED displej	9101500079

5 Správne používanie

Dometic MWE 7006 (č. výrobku 9600000359) je parkovací asistent fungujúci na báze ultrazvukových vln. Pri posunovaní a cúvaní kontroluje priestor za vozidlom a akustickým signálom varuje pred prekážkami, ktoré prístroj zaznamená.

Prístroj MWE 7006 je dimenzovaný na montáž do obytných automobilov.

6 Upozornenia pred montážou

6.1 Lakovanie senzorov

Pozri obr. 2



POZNÁMKA

Senzory sa môžu nalakovať. Výrobca odporúča prenechať lakovanie senzorov odbornej dielni.

6.2 Určenie miesta montáže senzorov

Pozri obr. **3** až obr. **6**



POZNÁMKA

Pre bezchybné fungovanie prístroja je dôležité správne nastavenie senzorov.

Ak tieto smerujú k zemi, budú sa napr. nerovnosti vozovky zobrazovať ako prekážka. Ak smerujú príliš nahor, prítomné prekážky nebudú rozpoznané.

Pri montáži dodržiavajte nasledovné:

- V oblasti okolo senzorov sa nesmú nachádzať žiadne iné objekty.
- Vzdialenosť senzorov od zeme by mala byť minimálne 45 cm a maximálne 60 cm (obr. **3**).
- Nezabudnite, že montážny uhol závisí od výšky montáže. Vyberte podľa tabuľky obr. **3** vhodný držiak senzorov a príslušný priemer vrtáka.
- Ak je namontovaný nosič bicyklov, namontujte senzory minimálne 30 cm pod nosič (obr. **4**).

Doplnenie k obr. 6

- Dodržte vzdialenosti senzorov.



POZNÁMKA

Senzory môžete prerozdeliť aj tak, ako je to zobrazené v alternatíve B a C.

7 Montáž parkovacieho asistenta

Pozri obr. **7** až obr. **10**

Doplnenie k obr. 8



POZOR! Nebezpečenstvo poruchy funkcie!

Držiaky senzorov nasmerujte tak, aby sa upevňovacie výstupky nachádzali vodorovne. V opačnom prípade nie je zaručené správne fungovanie parkovacieho asistenta.

- Zasuňte držiaky senzorov do otvorov tak, aby sa zaistili.

Doplnenie k obr. 10

- Zabezpečte, aby bol reproduktor zapnutý (poloha „Middle“ alebo „High“).

8 Zapojenie parkovacieho asistenta

Pozri obr. 11**POZNÁMKA**

Na niektorých vozidlách fungujú spätné svetlomety len vtedy, keď je zapnuté zapalovanie. V tom prípade musíte zapnúť zapalovanie, aby ste určili kladný vodič a vodič ukostrenia.

Č.	Označenie	Miesto zasunutia konektora
1	Riadiaca elektronika	–
2	Spätný svetlomet	–
3	Modrá/čierna žila: Pripojenie k spätnému svetlometu	14
4	Hnedá žila: Pripojenie ku kostre	2
5	Žltá žila reproduktora	15
6	Modrá žila reproduktora	3
7	Červená/sivá žila: Pripojenie na Mute prípojku rádia (voliteľne)	6
8	Prípojný kábel senzorov	9/21 (12/24) (10/22) (11/23)
9	Senzory	–

9 Registrácia a identifikácia senzorov

Riadiaci prístroj musí zaregistrovať senzory a ich polohu. Postupujte takto:

- Zapnite zapaľovanie.
- Zarad'te spiatocku.
- ✓ Riadiaci prístroj zaregistruje pripojené senzory.
- ✓ Na displeji riadiaceho prístroja sa zobrazí **LE**.
- ✓ Z reproduktora sa ozvú opakované krátke akustické tóny.

Keď je registrácia ukončená, na displeji bliká zobrazenie **LE**. Teraz musí riadiaci prístroj identifikovať senzory.

- Umiestnite vozidlo tak, aby sa okolo neho nachádzalo minimálne 1,5 m voľného miesta, aby senzory nemohli nasnímať žiadnu prekážku.
- Vypnite zapaľovanie a znova ho zapnite.
- Zarad'te spiatocku.
- Stlačte obidve tlačidlá na riadiacom prístroji súčasne a držte ich stlačené dlhšie ako tri sekundy.
- ✓ Riadiaci prístroj zaregistruje pripojené senzory.

Po ukončení registrácie sa z reproduktora ozve dlhý tón. Teraz musí riadiaci prístroj identifikovať senzory.

Na displeji sa zobrazí pohyblivá svetelná indikácia a z reproduktora sa ozvú opakované krátke akustické tóny.

- Postupujte podľa vami zvolenej alternatívy montáže (obr. **6**) takto:
 - Alternatíva A: Použite objekt vo veľkosti približne 0,5 m² (napr. kus stabilného kartónu) a postupne prejdite popred senzory 1 až 6 (obr. **12** A).
 - Alternatíva B a C: Obíďte vozidlo od prvého až po posledný senzor (obr. **12** B a C), pričom začnite od dverí vodiča.
- ✓ Z reproduktora sa na potvrdenie každého rozpoznaného senzora ozve krátky tón.

Po ukončení identifikácie sa z reproduktora ozve dlhý tón.



POZNÁMKA

Ak sa počas tohto procesu vyskytne chyba, môžete proces spustiť odznovu tým, že súčasne stlačíte obidve tlačidlá a podržíte ich stlačené dlhšie ako tri sekundy.

10 Dosah snímania

Pozri obr. 14

Dosah snímania parkovacieho asistenta je rozdelený na štyri zóny:

- **Zóna 1**

Táto zóna predstavuje prvú hraničnú oblasť. V nej za istých okolností nebudú rozpoznané malé alebo zle sa odrážajúce predmety.

- **Zóna 2**

V tejto zóne sa zobrazujú takmer všetky objekty.

- **Zóna 3**

V tejto zóne sa zobrazia takmer všetky predmety, avšak predmety sa môžu dostať do mŕtveho uhla senzorov.

- **Zóna so signálom zastavenia (4)**

Objekty v tejto zóne vedú k tomu, že parkovací asistent signalizuje trvalým tónom „Stop“.

V tejto zóne sa zobrazia takmer všetky predmety, avšak predmety sa môžu dostať do mŕtveho uhla senzorov.

Objekty, ako napríklad nosič bicyklov alebo rezervné kolesá, sa nesmú nachádzať v oblasti snímania senzorov, pretože by viedli k nesprávnemu zobrazeniu.

Zobrazenie pevných objektov, ako napríklad spájacieho zariadenia alebo časti rezervného kolesa, je možné potlačiť (parameter 51, 52 a 53).

11 Nastavenie systému

Pozri obr. 14 až obr. 17



VÝSTRAHA!

Neodborné nastavenia môžu nepriaznivo ovplyvniť bezpečnú funkciu.

Riadiaca elektronika má nasledovné ovládacie prvky:

Č. na obr. 15	Označenie	
1	Displej	F5 Výrobné nastavenia aktivované E5 Vlastné nastavenia uskutočnené
2, 3	Tlačidlá na nastavenie systému	



POZNÁMKA

- Na uloženie nastavení vypnite spojku, zaradíte spiatočku a počkajte 2 s.
- Na prerušenie nastavovania parametra **bez jeho uloženia** alebo na ukončenie celého procesu nastavovania: po dlhšiu dobu nestlačte žiadne tlačidlo.

Obnovenie výrobných nastavení

- ▶ Stlačte pravé tlačidlo na dobu dlhšiu ako 2 s, aby ste sa dostali do režimu programovania.
- ▶ Na displeji sa zobrazí 01.
- ▶ Stlačte obidve tlačidlá súčasne a podržte ich stlačené dlhšie ako dve sekundy.
- ✓ Displej zobrazí F5.

Potlačenie pri použití nosiča bicyklov alebo privesu



POZNÁMKA

PIN 17 môžete naprogramovať buď na prepnutie zón so signálom zastavenia **alebo** na deaktiváciu pri použití privesu.

Môžete použiť externý vypínač (nie je súčasťou obsahu dodávky) na:

- prepnutie štandardnej zóny so signálom zastavenia (parameter **47**, **48** a **49**) na vyššiu zónu so signálom zastavenia (parameter **51**, **52** a **53**), ak použijete nosič bicyklov a vyklopite ho.
- deaktiváciu parkovacieho asistenta po dobu, počas ktorej používate prives.

Postupujte takto:

- Pripojte PIN 17 konektora prípojného kábla cez externý vypínač ku kostre.
- **Iba pre prives:** Nastavte parametre **55** na hodnotu **00**.

Potlačenie zobrazovania spájacieho zariadenia alebo externého rezervného kolesa

- Nastavte parametre **51**, **52** a **53** tak, aby boli vhodné pre vaše spájacie zariadenie alebo vaše rezervné koleso.

12 Testovanie činnosti

Pri testovaní činnosti senzorov postupujte takto:

- Zapnite zapalovanie a zarad'te spätný chod.

Pri prvom uvedení do prevádzky postupujte mimoriadne opatrne a oboznámte sa s rôznymi sledmi zvukov.



VÝSTRAHA!

V zóne 4 sa môže stať, že prekážky nebudú zachytené, pretože už sa nenachádzajú v dosahu snímania senzorov (podmienene typom konštrukcie).

13 Používanie parkovacieho asistenta

Senzory sa aktivujú automaticky zaradením spätného chodu, keď je zapalovanie zapnuté alebo beží motor. Zaznie signál aktivovania (dva krátke tóny).

Hneď ako sa v dosahu snímania nachádza prekážka, zaznie rovnomerne opakujúci sa signálny tón.

Pri priblížení sa, podľa toho v ktorej zóne sa prekážka práve nachádza, sa zmení sled tónov, čím sa signalizuje vzdialenosť.

Pri prvom uvedení do prevádzky postupujte mimoriadne opatrne, aby ste sa oboznámili s uvedením vzdialenosti prostredníctvom rôznych sledov tónov.



VÝSTRAHA!

Vozidlo okamžite zastavte a skontrolujte situáciu (v prípade potreby vystúpte), ak sa pri cúvaní stane nasledovné:

Pri cúvaní zobrazí prístroj najprv prekážku a sled tónov sa normálne zrýchli (napr. striedanie dlhého a stredne dlhého sledu tónov). Náhle prejde signálny tón na pomalý sled tónov alebo už nezobrazí žiadnu prekážku.

Znamená to, že pôvodná prekážka sa už nenachádza v dosahu snímania senzorov (konštrukčne podmienené), ale ešte vždy do nej možno naraziť.

14 Zisťovanie porúch

Prístroj nevykazuje žiadnu funkciu

Prípojné káble k svetlu spiatocky nemajú žiadny kontakt alebo sú zamenené.

Konektory senzorov nie sú alebo nie sú správne zapojené do riadiacej elektroniky.

► Skontrolujte konektory a prípadne ich pripojte tak, aby sa zaistili.

Hlboký tón signalizujúci chybu znejúci tri sekundy po zaradení spriatočky

Jeden alebo viacero snímačov je chybných alebo nepripojených k radiacej elektronicke. Displej zobrazí chybný senzor:

- napr. **E1** pre senzor 1
Senzor 1 má najkratší prípojný kábel, senzor 6 najdlhší.
- Ak je chybných viac než len jeden senzor, tieto sa budú postupne zobrazovať.
- Skontrolujte konektory a prípadne ich pripojte tak, aby sa zaistili.
- Vymeňte chybný senzor alebo chybné senzory.



POZOR!

Systém nefunguje, ak je chybný jeden alebo viaceré senzory.

Žiadne akustické signály

Reproduktor je vypnutý alebo je nesprávne pripojený.

- Skontrolujte, či je reproduktor zapnutý.
- Skontrolujte, či je reproduktor správne pripojený.
- Nastavte parameter **D1** na hodnotu „1“ alebo „2“ (pozri kap. „Nastavenie systému“ na strane 198).

Systém hlási prekážky nesprávne

Nasledujúce dôvody môžu viesť k chybným alarmom:

- Nečistoty alebo námraza na senzorochoch.
- Vyčistite senzory.
- Senzory boli nesprávne namontované.
- Prispôbte polohu senzorov (obr. **3**).
- Nastavte prípadne pomocou parametrov **41**, **42** a **43** citlivosť senzorov (pozri kap. „Nastavenie systému“ na strane 198).
- Senzory majú kontakt so šasi vozidla.
- Oddel'te senzory od šasi.

Rezervné koleso spôsobuje chybné alarmy

- Nastavte parametre **51**, **52** a **53** tak, aby boli vhodné pre vaše rezervné koleso (pozri kap. „Nastavenie systému“ na strane 198).

Objekty na vozidle (napr. spájacie zariadenie) spôsobujú chybné alarmy

- ▶ Nastavte parametre **51**, **52** a **53** tak, aby boli vhodné k vášmu objektu, na hodnotu **00** alebo **01** (pozri kap. „Nastavenie systému“ na strane 198).
- ▶ Presuňte zónu so signálom zastavenia pomocou parametrov **47**, **48** a **49** tak, aby bola vhodná pre objekt (pozri kap. „Nastavenie systému“ na strane 198).

15 Záruka

Platí zákonom stanovená záručná lehota. Ak by bol výrobok chybný, obráťte sa na pobočku výrobcu vo vašej krajine (adresy pozri na zadnej strane návodu) alebo na vášho špecializovaného predajcu.

Ak žiadate o vybavenie opravy alebo nárokov vyplývajúcich zo záruky, musíte priložiť nasledovné:

- chybné komponenty,
- kópiu faktúry s dátumom kúpy,
- dôvod reklamácie alebo opis chyby.


16 Likvidácia

- ▶ Obalový materiál podľa možnosti odovzdajte do príslušného odpadu na recykláciu.



Keď výrobok definitívne vyradíte z prevádzky, informujte sa v najbližšom recyklačnom stredisku alebo u vášho špecializovaného predajcu o príslušných predpisoch týkajúcich sa likvidácie.

17 Technické údaje

	MWE 7006
Č. výrobku:	9600000359
Dosah:	cca 0,60 m až 3 m
Frekvencia ultrazvuku:	58 kHz
Napájacie napätie:	10 – 32 V
Spotreba prúdu:	maximálne 350 mA
Prevádzková teplota:	-35 °C až + 70 °C
Povolenie:	



POZNÁMKA

Senzory sa môžu nalakovať. Výrobca odporúča prenechať lakovanie senzorov odbornej dielni.

Před zahájením instalace a uvedením do provozu si pečlivě přečtete tento návod a uschovejte jej. V případě dalšího prodeje výrobku předejte návod novému uživateli.

Obsah

1	Vysvětlení symbolů	205
2	Bezpečnostní pokyny a pokyny k instalaci	205
3	Rozsah dodávky	206
4	Příslušenství	207
5	Použití v souladu se stanoveným účelem	207
6	Pokyny před montáží	207
7	Montáž parkovacího asistenta	208
8	Připojení parkovacího asistenta	209
9	Registrace a identifikace snímačů	210
10	Rozsah snímané oblasti	211
11	Nastavení systému	212
12	Test funkce	213
13	Používání parkovacího asistenta	214
14	Vyhledávání závad	214
15	Záruka	216
16	Likvidace	216
17	Technické údaje	217

1 Vysvětlení symbolů



VÝSTRAHA!

Bezpečnostní pokyny: Následkem nedodržení pokynů mohou být smrtelná nebo vážná zranění.



POZOR!

Nedodržení pokynů může mít za následek hmotné škody a narušení funkce výrobku.



POZNÁMKA

Doplňující informace týkající se obsluhy výrobku.

2 Bezpečnostní pokyny a pokyny k instalaci

Následující texty pouze doplňují obrázky v příloze. Samy o sobě nejsou kompletním návodem k instalaci a návodem k obsluze! Vždy respektujte informace uvedené v příloze!

Dodržujte předepsané bezpečnostní pokyny a předpisy vydané výrobcem vozidla a autoservisem!

Dodržujte platné legislativní předpisy.

V následujících případech nepřebírá výrobce žádné záruky za škody:

- Poškození výrobku působením mechanických vlivů a přepětí
- Změna výrobku bez výslovného souhlasu výrobce
- Použití k jiným účelům, než jsou popsány v tomto návodu



VÝSTRAHA!

- Upevněte součásti parkovacího asistenta, namontované ve vozidle, tak, aby se nemohly za žádných okolností uvolnit (náhlé brzdění, nehoda) a **způsobit úrazy posádce vozidla.**
- Neinstalujte součásti parkovacího asistenta uvnitř vozidla do blízkosti airbagu. V opačném případě hrozí při vystřelení airbagu nebezpečí úrazu.
- Parkovací asistent vám má být dodatečnou podporou, tzn. přístroj vás nezabavuje toho, abyste věnovali jízdě mimořádnou pozornost.

**POZOR!**

- U vozidel se světlem zpátečky LED může způsobovat instalace parkovacího asistenta poruchy.
- Pokud si přejete instalovat snímače do kovových nárazníků, budete potřebovat vhodné adaptéry (nejsou součástí dodávky).
- Řídicí elektroniku nesmíte vystavit žádné vlhkosti.
- Řídicí elektroniku nesmíte montovat v blízkosti ostatních řídicích modulů.
- Snímače nesmějí zakrývat žádná signalizační světla a kontrolky.
- Při montáži snímačů pamatujte, že v oblasti záběru snímačů nesmějí být žádné pevně instalované objekty (např. držák jízdních kol).

3 Rozsah dodávky

Viz obr. **1**

Č.	Množství	Název	Č. výrobku
1	1	Řídicí elektronika	9101500069
2	1	Reproduktor	
3	1	Přívodní kabel řídicí elektroniky	
4	1	Snímače rozdělovače	9101500067
5	6	Ultrazvukové snímače s přívodním kabelem	9101500070
6	6	Držák snímače 0° s krycím kroužkem	
7	6	Držák snímače 10° s krycím kroužkem	
-	2	Prodlužovací kabel 3 m	
-	1	Upevňovací materiál	

4 Příslušenství

Dostupné jako příslušenství (není součástí dodávky):

Název	Č. výrobku
Držák snímače na kovový nárazník	9101500015
Prodlužovací kabel snímače 1,5 m	9103555747
Držák snímače podvozku (obr. 13 1)	9101500078
Gumové držáky snímačů pro montáž nástavby (obr. 13 2)	9101500071
Reproduktor	MWD-900
Displej LED	9101500079

5 Použití v souladu se stanoveným účelem

Dometic MWE 7006 (č. výrobku 9600000359) je ultrazvukový parkovací asistent. Při manévrování s vozidlem snímá prostor za vozidlem a generuje akustický výstražný signál před překážkami, které přístroj zachytí.

MWE 7006 je určen k instalaci do obytných vozidel.

6 Pokyny před montáží

6.1 Lakování snímačů

Viz obr. 2



POZNÁMKA

Snímače smějí být přelakovány. Výrobce doporučuje nechat provést lakování snímačů ve specializovaném servisu.

6.2 Výběr místa instalace snímačů

Viz obr. **3** až obr. **6**



POZNÁMKA

Pro bezvadnou funkci přístroje je důležité správné nasměrování snímačů.

Pokud jsou namířeny na zem, budou za překážku označeny například nerovnosti povrchu. Pokud jsou namířeny příliš vysoko, nebudou skutečně překážky identifikovány.

Při montáži dodržujte následující pokyny:

- V prostoru kolem snímačů nesmějí být žádné jiné předměty.
- Vzdálenost snímačů od vozovky musí být minimálně 45 cm a maximálně 60 cm (obr. **3**).
- Pamatujte, že úhel montáže závisí na výšce montáže. Podle tabulky na obr. **3** vyberte vhodný držák snímače a příslušný průměr vrtačného otvoru.
- Pokud máte namontovaný držák jízdních kol, namontujte snímače minimálně 30 cm pod něj (obr. **4**).

Doplnění k obr. 6

- Dodržujte vzájemné vzdálenosti snímačů.



POZNÁMKA

Snímače můžete rozmístit také tak, jak je uvedeno v alternativách B a C.

7 Montáž parkovacího asistenta

Viz obr. **7** až obr. **10**

Doplnění k obr. 8



POZOR! Nebezpečí poruchy funkce!

Nastavte polohu držáků snímačů tak, aby byly upevňovací výstupky vodorovně. V opačném případě nelze zajistit řádnou funkci parkovacího asistenta.

- Nasaďte držáky snímačů do otvorů tak, aby došlo k jejich zajištění.

Doplnění k obr. 10

- Zkontrolujte, zda je reproduktor zapnutý (poloha „Middle“ nebo „High“).

8 Připojení parkovacího asistenta

Viz obr. 11



POZNÁMKA

U některých vozidel fungují světla zpátečky pouze po zapnutí zapalování. V takovém případě musíte zapnout zapalování, abyste zjistili kladný kabel a kabel kostry.

Č.	Název	Zásuvka pro zástrčku
1	Řídicí elektronika	–
2	Zpětný světlomet	–
3	Modrá/černá žíla: Připojení ke světlu zpátečky	14
4	Hnědá žíla: Připojení ke kostře	2
5	Žlutá žíla z reproduktoru	15
6	Modrá žíla z reproduktoru	3
7	Červená/šedá žíla: Připojení k přípojce Mute rádia (volitelně)	6
8	Přívodní kabel snímačů	9/21 (12/24) (10/22) (11/23)
9	Snímače	–

9 Registrace a identifikace snímačů

Řídicí jednotka musí registrovat snímače a jejich polohu. Postupujte takto:

- Zapněte zapalování.
- Zařad'te zpátečku.
- ✓ Řídicí jednotka zaregistruje připojené snímače.
- ✓ Na displeji řídicí jednotky je hlášení **LE**.
- ✓ Z reproduktoru opakovaně zazní krátké akustické signály.

Jakmile je registrace dokončena, bliká na displeji hlášení **LE**. Nyní musí řídicí jednotka identifikovat snímače.

- Postavte vozidlo tak, aby kolem něj zůstalo volné místo 1,5 m a snímače nemohly zaznamenat žádné překážky.
- Vypněte a znovu zapněte zapalování.
- Zařad'te zpátečku.
- Stiskněte obě tlačítka na řídicí jednotce současně na dobu delší než tři sekundy.
- ✓ Řídicí jednotka zaregistruje připojené snímače.

Jakmile je registrace dokončena, zazní z reproduktoru dlouhý akustický signál. Nyní musí řídicí jednotka identifikovat snímače.

Na displeji se zobrazí světelná indikace a z reproduktoru zazní opakovaně krátké akustické signály.

- V souladu s vybranou alternativou montáže (obr. **6**) postupujte takto:
 - Alternativa A: Použijte objekt o velikosti cca 0,5 m² (např. kus pevné lepenky) a postupně obcházejte snímače 1 až 6 (obr. **12** A)
 - Alternativa B a C: Postupujte od dveří řidiče kolem vozidla od prvního až po poslední snímač (obr. **12** B a C).
- ✓ Reprodukter potvrdí každý zaznamenaný snímač krátkým akustickým signálem.

Jakmile je identifikace dokončena, zazní z reproduktoru dlouhý akustický signál.



POZNÁMKA

Pokud během akce dojde k chybě, můžete akci opakovat od začátku stisknutím obou tlačítek současně a jejich podržením po dobu delší než tři vteřiny.

10 Rozsah snímané oblasti

Viz obr. 14

Rozsah oblasti snímané parkovacím asistentem je rozdělen do čtyř zón:

- **Zóna 1**

Tato zóna je první mezní oblastí. Za určitých okolností zde nejsou zaznamenány malé předměty nebo předměty se špatným odrazem.

- **Zóna 2**

V této zóně jsou indikovány téměř všechny objekty.

- **Zóna 3**

V této zóně jsou indikovány téměř všechny objekty, některé předměty se ale mohou dostat do mrtvého úhlu snímačů.

- **Zóna zastavení (4)**

Objekty v této zóně vedou k tomu, že parkovací asistent signalizuje trvalý zvukový signál „Stop“.

V této zóně jsou indikovány téměř všechny objekty, některé předměty se ale mohou dostat do mrtvého úhlu snímačů.

V rozsahu snímaném snímači nesmějí být objekty jako např. držáky jízdních kol nebo rezervy. Tyto předměty mohou vyvolat falešnou signalizaci.

Indikaci pevných předmětů, jako jsou např. tažné zařízení nebo část rezervního kola, můžete potlačit (parametry 51, 52 a 53).

11 Nastavení systému

Viz obr. 14 až obr. 17



VÝSTRAHA!

Nesprávné nastavení může mít negativní vliv na bezpečnou funkci systému.

Řídicí elektronický systém je vybaven následujícími ovládacími prvky:

Č. na obr. 15	Název		
1	Displej	F5	Je aktivní nastavení z výroby
		Ľ5	Provedeno vlastní nastavení
2, 3	Tlačítka k nastavování systému		



POZNÁMKA

- K uložení nastavení sešlápněte spojku, zařaďte zpátečku a počkejte 2 s.
- Přerušení nastavování parametrů **bez uložení** nebo ukončení procesu nastavování: Delší dobu nestiskněte žádné tlačítko.

Obnova nastavení z výroby

- ▶ Stiskněte pravé tlačítko a podržte je po dobu delší než 2 s tak, abyste se dostali do režimu programování.
- ▶ Na displeji se zobrazí hodnota 01.
- ▶ Stiskněte obě tlačítka současně na dobu delší než dvě sekundy.
- ✓ Na displeji se zobrazí F5.

Potlačení indikace nosiče jízdních kol nebo přívěsu



POZNÁMKA

Kolík PIN 17 můžete naprogramovat pro přepnutí zón zastavení **nebo** k deaktivaci při použití přívěsu.

Můžete použít externí spínač (není součástí dodávky) k následujícím funkcím:

- Přepnutí standardní zóny zastavení (parametry **47**, **48** a **49**) na delší zónu zastavení (parametry **51**, **52** a **53**), pokud používáte nosič jízdních kol a provedete jeho sklopení.
- Deaktivace parkovacího asistenta při používání přívěsu.

Postupujte takto:

- Připojte kolík 17 zástrčky přívodního kabelu pomocí externího spínače ke kostře.
- **Pouze pro přívěsy:** Nastavte parametr **55** na hodnotu **00**.

Potlačení indikace tažného zařízení nebo externího rezervního kola

- Nastavte parametry **51**, **52** a **53** odpovídajícím způsobem vzhledem k vašemu tažnému zařízení nebo rezervnímu kolu.

12 Test funkce

Při testu funkcí snímačů postupujte takto:

- Zapněte zapalování a zařaďte zpátečku.

Postupujte při prvním použití s mimořádnou opatrností a seznamte se s významem různých sledů zvukových signálů.



VÝSTRAHA!

V zóně 4 se může stát, že nebudou překážky rozpoznány, protože již nejsou v oblasti snímané snímači (závisí na způsobu instalace).

13 Používání parkovacího asistenta

Snímače jsou aktivovány automaticky zařazením zpátečky, jakmile je zapnuto zapalování nebo když běží motor. Zazní aktivační zvukový signál (dva krátké akustické signály).

Jakmile se v oblasti snímané snímači objeví překážka, zazní rovnoměrně se opakující akustický signál.

Při přibližování, v závislosti na tom, v jaké zóně se překážka nachází, se sled akustických signálů mění, a tím je signalizována vzdálenost.

Při prvním použití postupujte mimořádně opatrně, abyste se seznámili s informacemi o vzdálenosti, poskytovanými různým sledem akustických signálů.



VÝSTRAHA!

Okamžitě zastavte vozidlo a zkontrolujte situaci (případně i vystupte), pokud se při manévrování stane následující:

Při manévrování přístroj nejprve signalizoval překážku a sled akustických signálů se obvyklým způsobem měnil (např. změna z pomalejšího sledu akustických signálů na rychlejší). Náhle se změnil sled akustických signálů na pomalejší nebo systém zcela přestal indikovat překážku. To znamená, že původní překážka již není v oblasti snímané snímači (závisí na typu instalace), ale stále ještě je možné do ní narazit.

14 Vyhledávání závad

Přístroj nefunguje

Přívodní kabely světla zpátečky nemají žádný kontakt nebo došlo k jejich záměně.

Zástrčky snímačů nejsou zapojeny do řídicího elektronického systému, nebo jsou zapojeny nesprávně.

- Zkontrolujte zástrčky a zapojte je příp. tak, aby zacvakly.

Po zařazení zpátečky zazní na tři vteřiny hluboká akustická signalizace závady

Jeden nebo několik snímačů jsou vadné nebo nejsou spojeny s řídicím elektronickým systémem. Na displeji se zobrazí vadný snímač:

- Například **E1** jako snímač 1
Snímač 1 je vybaven nejkratším přívodním kabelem, snímač 6 nejdelším.
- Pokud je vadný více než jeden snímač, jsou vadné snímače indikovány postupně.
- Zkontrolujte zástrčky a zapojte je příp. tak, aby zacvakly.
- Vyměňte vadný snímač nebo vadné snímače.



POZOR!

Systém nefunguje, pokud jsou jeden nebo několik snímačů poškozené.

Bez akustických signálů

Reproduktor je vypnutý nebo je nesprávně připojený.

- Zkontrolujte, zda je reproduktor zapnutý.
- Zkontrolujte, zda je reproduktor správně připojený.
- Nastavte parametr **D1** na hodnotu „1“ nebo „2“ (viz kap. „Nastavení systému“ na straně 212).

Přístroj nehlásí správně překážky

Příčiny nesprávné indikace mohou být následující:

- Nečistoty nebo námraza na snímačích.
- Vycištěte snímače.
- Snímače byly namontovány nesprávně.
- Upravte polohu snímačů (obr. **3**).
- Případně nastavte pomocí parametrů **41**, **42** a **43** citlivost snímačů (viz kap. „Nastavení systému“ na straně 212).
- Snímače jsou v kontaktu s šasi vozidla.
- Odpojte snímače od šasi vozidla.

Rezervní kolo spouští falešný poplach

- Nastavte parametry **51**, **52** a **53** odpovídajícím způsobem vzhledem k vašemu rezervnímu kolu (viz kap. „Nastavení systému“ na stranì 212).

Objekty na vozidle (např. tažné zařízení) způsobují falešný poplach

- Nastavte parametry **51**, **52** a **53** odpovídajícím způsobem vzhledem k objektu na hodnoty **00** nebo **01** (viz kap. „Nastavení systému“ na stranì 212).
- Nastavte zónu zastavení pomocí parametrů **47**, **48** a **49** odpovídajícím způsobem vzhledem k objektu (viz kap. „Nastavení systému“ na stranì 212).

15 Záruka

Na výrobek je poskytována záruka v souladu s platnými zákony. Zjistíte-li, že je výrobek vadný, zašlete jej do pobočky výrobce ve vaší zemi (adresy viz zadní strana tohoto návodu) nebo specializovanému prodejci.

K vyřízení opravy nebo záruky nezapomeňte odeslat následující:

- Vadné součásti,
- Kopii účtenky s datem zakoupení,
- Uvedení důvodu reklamace nebo popis vady.


16 Likvidace

- Obalový materiál likvidujte v odpadu určeném k recyklaci.



Jakmile výrobek zcela vyřadíte z provozu, informujte se v příslušných recyklačních centrech nebo u specializovaného prodejce o příslušných předpisech o likvidaci odpadu.

17 Technické údaje

	MWE 7006
Č. výrobku:	9600000359
Rozsah snímané oblasti:	cca 0,60 m až 3 m
Frekvence ultrazvuku:	58 kHz
Napájecí napětí:	10 – 32 V
Příkon proudu:	Maximálně 350 mA
Provozní teplota:	- 35 °C až + 70 °C
Certifikace:	



POZNÁMKA

Snímače smějí být přelakovány. Výrobce doporučuje nechat provést lakování snímačů ve specializovaném servisu.

Beépítés és üzembe vétel előtt gondosan olvassa el és őrizze meg ezt a használati útmutatót. Ha a terméket továbbadja, mellékelje hozzá a használati útmutatót is.

Tartalomjegyzék

1	Szimbólumok magyarázata	219
2	Biztonsági és beszerelési megjegyzések	219
3	Szállítási terjedelem	220
4	Tartozékok	221
5	Rendeltetésszerű használat	221
6	Beszerelés előtti megjegyzések	221
7	A parkolósegéd beszerelése	222
8	A parkolósegéd csatlakoztatása	223
9	Érzékelők regisztrálása és azonosítása	224
10	Érzékelési tartomány	225
11	A rendszer beállítása	226
12	A működés ellenőrzése	227
13	A parkolósegéd használata	228
14	Hibakeresés	228
15	Szavatosság	230
16	Ártalmatlanítás	230
17	Műszaki adatok	231

1 Szimbólumok magyarázata



FIGYELMEZTETÉS!

Biztonsági tudnivaló: Az utasítás figyelmen kívül hagyása halált vagy súlyos sérülést okozhat.



FIGYELEM!

Ha nem veszi figyelembe az információt, az anyagkárosodást eredményezhet, és káros kihatással lehet a termék működésére.



MEGJEGYZÉS

Kiegészítő információk a termék kezelésével kapcsolatosan.

2 Biztonsági és beszerelési megjegyzések

A következő szövegek csupán a mellékelt lap ábráit egészítik ki. Ezek önmagukban nem teljes beszerelési és kezelési útmutatások! Feltétlenül vegye figyelembe a mellékelt lapon lévő ábrákat!

Vegye figyelembe a járműgyártó és a gépjármű-szakma által előírt biztonsági megjegyzéseket és előírásokat!

Vegye figyelembe az érvényes törvényi előírásokat.

A gyártó a bekövetkező károkért a következő esetekben nem vállal felelősséget:

- a termék mechanikai behatások és túlfeszültségek miatti sérülése
- a termék kifejezett gyártói engedély nélküli módosítása
- az útmutatóban leírt céloktól eltérő felhasználás



FIGYELMEZTETÉS!

- A parkolósegéd járműben felszerelt alkatrészeit úgy rögzítse, hogy azok semmilyen körülmények között (éles fékezés, közlekedési baleset) ne szabadulhassanak el és ne okozhassák **a jármű utasainak sérülését**.
- A parkolósegéd járművön belülről elhelyezendő alkatrészeit ne szerelje légszák hatókörzetébe. Ellenkező esetben a légszák kioldása esetén sérülésveszély állhat fenn.
- A parkolósegéd csak kiegészítő támogatást nyújt, azaz a készülék nem menti fel a felhasználót a manőverezés során is érvényes, kifejezett óvatossági kötelezettsége alól.

**FIGYELEM!**

- LED-es hátsó lámpákkal szerelt járműveknél a parkolósegéd beépítése üzemzavart okozhat.
- Ha az érzékelőket fémütközőbe szeretné beszerelni, akkor ehhez megfelelő adapter (nincs mellékelve) szükséges.
- A vezérlőelektronikákat nem szabad nedvesség hatásának kiténni.
- A vezérlőelektronikát tilos más vezérlőmodulok közelében felszerelni.
- Az érzékelők nem fedhetik el a jelzőlámpákat.
- Az érzékelők szerelése során ügyeljen arra, hogy a járműre rögzített tárgyak (például kerékpárhordozók) ne legyenek az érzékelők érzékelési tartományában.

3 Szállítási terjedelem

Lásd: **1.** ábra

Szám	Mennyiség	Megnevezés	Cikkszám
1	1	Vezérlőelektronika	9101500069
2	1	Hangszóró	
3	1	Vezérlőelektronika csatlakozókábele	
4	1	Érzékelők elosztója	9101500067
5	6	Ultraszónus érzékelők csatlakozókábel	9101500070
6	6	Érzékelőtartó 0° fedőgyűrűvel	
7	6	Érzékelőtartó 10° fedőgyűrűvel	
-	2	3 m hosszabbítókábel	
-	1	Rögzítőanyag	

4 Tartozékok

Tartozékként kapható (nincs mellékelve):

Megnevezés	Cikkszám
Érzékelőtartó fém lökhárítókhoz	9101500015
1,5 m hosszabbítókábel érzékelőhöz	9103555747
Alvázérezékelő-tartó (13. ábra 1)	9101500078
Felszerelhető gumí érzékelőtartó (13. ábra 2)	9101500071
Hangszóró	MWD-900
LED-kijelző	9101500079

5 Rendeltetészerű használat

A Dometic MWE 7006 (cikkszám: 9600000359) egy ultrahang-alapú parkolósegéd. Tolatáskor felügyeli a jármű mögötti területet és hangjelzéssel figyelmeztet azokra az akadályokra, amelyeket észlel a készülék.

Az MWE 7006 lakóautókba szerelhető be.

6 Beszerelés előtti megjegyzések

6.1 Az érzékelők lakkozása

Lásd: 2. ábra



MEGJEGYZÉS

Az érzékelők lakkozhatók. Az érzékelők lakkozását szakműhelyben javasolt elvégezteni.

6.2 Az érzékelők beépítési helyének meghatározása

Lásd **3.** ábra – **6.** ábra



MEGJEGYZÉS

A készülék kifogástalan működéséhez az érzékelők pontos beigazítása szükséges.

Ha ezek a föld felé mutatnak, akkor például a készülék a talajegyenetlenségeket akadályokként érzékeli és jelzi. Ha túlságosan magasra mutatnak, akkor a készülék a meglévő akadályokat nem ismeri fel.

A szerelés során vegye figyelembe a következőket:

- Az érzékelők körüli területet szabadon kell hagyni.
- Az érzékelők földtől mért távolsága legalább 45 cm és legfeljebb 60 cm legyen (**3.** ábra).
- Vegye figyelembe, hogy a szerelési szög a szerelési magasságtól függ. Válassza ki a táblázatnak (lásd **3.** ábra) megfelelően a hozzáillő érzékelőtartót, valamint a hozzá tartozó furatátmérőt.
- Ha a járműre kerékpártartó van felszerelve, akkor az érzékelőket minimum 30 cm-rel a kerékpártó alá kell felszerelni (**4.** ábra).

A(z) **6.** ábra kiegészítése

- Vegye figyelembe az érzékelők távolságát.



MEGJEGYZÉS

Az érzékelőket eloszthatja a B és C alternatíva szerint is.

7 A parkolósegéd beszerelése

Lásd **7.** ábra – **10.** ábra

A(z) **8.** ábra kiegészítése



FIGYELEM! Működési zavar veszélye!

Az érzékelőtartókat úgy kell beigazítani, hogy a rögzítőorrok vízszintesen álljanak. Ellenkező esetben a parkolósegéd megfelelő működése nincs biztosítva.

- Dugja be annyira az érzékelőtartókat a furatokba, hogy a tartók a helyükre ugorjanak.

A(z) 10. ábra kiegészítése

- Biztosítsa, hogy a hangszóró be legyen kapcsolva („Middle” vagy „High” állás).

8 A parkolósegéd csatlakoztatása

Lásd: 11. ábra

**MEGJEGYZÉS**

Bizonyos járműveknél a hátrameneti fényszóró csak bekapcsolt gyújtásnál működik. Ilyen esetben a gyújtást – a plusz és a testvezeték meghatározásához – be kell kapcsolni.

Szám	Megnevezés	Csatlakozódugó foglalata
1	Vezérlőelektronika	–
2	Tolatófényszóró	–
3	Kék / fekete ér: Csatlakozás a tolatófényszóróhoz	14
4	Barna ér: Csatlakozás testhez	2
5	Sárga ér a hangszórótól	15
6	Kék ér a hangszórótól	3
7	Piros / szürke ér: Csatlakozás a rádió némításcsatlakozójához (opcionális)	6
8	Érzékelők csatlakozókábele	21/9 (12/24) (10/22) (11/23)
9	Érzékelők	–

9 Érzékelők regisztrálása és azonosítása

Az érzékelőket és azok pozícióját regisztrálnia kell a vezérlőegységnek. Ehhez a következő módon járjon el:

- Kapcsolja be a gyújtást.
- Kapcsolja a sebességváltót hátrameneti fokozatba.
- ✓ A vezérlőegység regisztrálja a csatlakoztatott érzékelőket.
- ✓ A vezérlőegység kijelzőjén megjelenik az **LE** felirat.
- ✓ A hangszóró ismétlődő rövid hangjelzést ad ki.

A regisztrálás befejeződése után villog az **LE** felirat a kijelzőn. Ezután a vezérlőegységnek azonosítania kell az érzékelőket.

- Állítsa le úgy a járművet, hogy körülötte legalább 1,5 m szabad hely maradjon, így az érzékelők nem észlelhetnek majd akadályt.
- Kapcsolja ki, majd vissza a gyújtást.
- Kapcsolja a sebességváltót hátrameneti fokozatba.
- Nyomja meg egyszerre a vezérlőegységen mindkét gombot három másodpercnél hosszabb ideig.
- ✓ A vezérlőegység regisztrálja a csatlakoztatott érzékelőket.

A regisztráció befejeződése után a hangszóró hosszú hangot ad ki. Ezután a vezérlőegységnek azonosítania kell az érzékelőket.

A kijelzőn futófény látható, a hangszóró pedig ismétlődő rövid hangjelzést ad ki.

- A kiválasztott szerelési alternatívának megfelelően (**6**. ábra) a következőképpen járjon el:
 - A alternatíva: Használjon egy kb. 0,5 m²-es tárgyat (pl. egy darab stabil kartont) és járja be egymás után az 1-6 érzékelőt (**12**. ábra A)
 - B és C alternatíva: A vezetőoldali ajtótól indulva járja körbe a járművet az első-től az utolsó érzékelőig (**12**. ábra B és C).
- ✓ A hangszóró rövid hangjelzéssel nyugtáz minden egyes felismert érzékelőt.

Az azonosítás befejeződése után a hangszóró hosszú hangot ad ki.



MEGJEGYZÉS

Ha hiba lép fel a folyamat közben, akkor úgy indíthatja újra a folyamatot, hogy egyszerre megnyomja mindkét gombot három másodpercnél hosszabb ideig.

10 Érzékelési tartomány

Lásd: **14.** ábra

A parkolósegéd érzékelési tartománya négy zónára van felosztva:

- **1. zóna**

Ez a zóna az első határtartomány. Itt előfordulhat, hogy az érzékelők kis méretű vagy rossz hangvisszaverő képességű tárgyakat nem érzékelnek.

- **2. zóna**

Ebben a zónában az érzékelők szinte minden tárgyat jeleznek.

- **3. zóna**

Ebben a zónában szinte minden tárgy megjelenik, azonban bizonyos tárgyak az érzékelők holtterébe kerülhetnek.

- **Megállási zóna (4)**

Az ebben a zónában lévő tárgyakat érzékelve a parkolósegéd folyamatos „Állj” hangjelet ad.

Ebben a zónában szinte minden tárgy megjelenik, azonban bizonyos tárgyak az érzékelők holtterébe kerülhetnek.

Kerékpártartókhoz vagy pótkerekekhez hasonló tárgyak nem lehetnek az érzékelők észlelési tartományában, ellenkező esetben hibás kijelzés lehet az eredmény.

A fix tárgyak, pl. vonóhorgok vagy a pótkerék egy részének kijelzése elnyomható (57-es, 52-es és 53-as paraméter).

11 A rendszer beállítása

Lásd **14.** ábra – **17.** ábra



FIGYELMEZTETÉS!

A szakszerűtlen beállítás a biztonságos működést korlátozza.

A vezérlőelektronika a következő kezelőelemekkel rendelkezik:

Szám (15. ábra)	Megnevezés		
1	Kijelző	<i>F5</i>	Gyári beállítás aktív
		<i>Ĺ5</i>	Saját beállítások elvégezve
2, 3	Rendszerbeállító gombok		



MEGJEGYZÉS

- A beállítások mentéséhez kapcsoljon hátrameneti fokozatba és várjon 2 másodpercet.
- A paraméterek beállításainak **mentés nélküli** megszakításához, illetve a teljes beállítási művelet befejezéséhez: egyik gombot se működtesse hosszabb ideig.

A gyári beállítások helyreállítása

- ▶ Nyomja meg a jobb oldali gombot 2 másodpercnél hosszabb időre, hogy beléphessen a programozó módba.
- ▶ A kijelzőn a következő jelenik meg: *01*.
- ▶ Nyomja meg mindkét gombot egyszerre két másodpercnél hosszabb ideig.
- ✓ A kijelzőn az *F5* kijelzés jelenik meg.

Kerékpártartó vagy utánfutó használatának elnyomása



MEGJEGYZÉS

A 17-es PIN a megállási zónák átkapcsolására **vagy** utánfutó használata esetén deaktiválásra programozható be.

Külső kapcsolóval (nem tartalmazza a csomag) a következők lehetségesek:

- az alap megállási zóna (47-es, 48-as és 49-es paraméter) átkapcsolása magasabb megállási zónára (51-es, 52-es és 53-as paraméter), ha kerékpártartót használ és azt kihajtja.
- a parkolósegéd deaktiválása utánfutó használata közben.

Ehhez a következő módon járjon el:

- ▶ Kösse össze a csatlakozódugó 17-es tűjét egy külső kapcsolón keresztül a testtel.
- ▶ **Csak utánfutókhoz:** Állítsa az 56-os paramétereket 00 értékre.

Vonóhorog vagy külső pótkerék kijelzésének elnyomása

- ▶ Állítsa be az 51-es, 52-es és 53-as paramétereket a vonóhorognak vagy a pótkeréknek megfelelően.

12 A működés ellenőrzése

Az érzékelők működés-ellenőrzése során a következő módon járjon el:

- ▶ Kapcsolja be a gyújtást és kapcsoljon hátrameneti fokozatba.

Az első üzembe helyezés során különös elővigyázatossággal járjon el, és ismerje meg a különböző hangszorozatok jelentését.



FIGYELMEZTETÉS!

A 4. zónában előfordulhat, hogy az érzékelők bizonyos akadályokat nem érzékelnek, mivel azok nem az érzékelők felismerési tartományában vannak (ez az építési mód függvénye).

13 A parkolósegéd használata

Az érzékelőket automatikusan aktiválja a hátrameneti fokozat kapcsolása, ha a gyújtás be van kapcsolva vagy a motor jár. Megszólal egy aktiválási hang (két rövid hang).

Ha az érzékelési tartományban akadály fordul elő, egyenletesen ismétlődő jelzőhang szólal meg.

Az akadályhoz közeledve, az illető zónától függően a hangszorozat változik és így jelzi az akadálytól való távolságot.

Az első üzembe helyezés során különös elővigyázatossággal járjon el, és ismerje meg a különböző hangszorozatok távolságjelző jelentését.



FIGYELMEZTETÉS!

Azonnal állítsa meg a járművet és ellenőrizze a helyzetet (adott esetben szálljon ki), ha a manőverezésnél a következőket tapasztalja:

A manőverezés során a készülék előbb akadályt jelez, és a hangszorozat teljesen normális módon gyorsabbá válik (például a lassúból a közepes hangszorozatra vált). A jelzőhang hirtelen a lassú hangszorozatra ugrik át vagy egyáltalán nem jelez további akadályt.

Ez azt jelenti, hogy az eredeti akadály többé már nincs az érzékelők érzékelési tartományában (ez a konstrukcióból is eredhet), de a beleütközés veszélye még mindig fennáll.

14 Hibakeresés

A készülék nem jelez működést

A tolatófényszóró csatlakozókábelelei nem érintkeznek vagy fel vannak cserélve.

Az érzékelők dugaszai nincsenek vagy hibásan vannak a vezérlőelektronikába bedugva.

- ▶ Ellenőrizze a dugaszokat, és adott esetben dugja be azokat úgy, hogy bepattanjanak.

Mély, három másodperces hibajelző hang hátrameneti fokozatba kapcsolás után

Egy vagy több érzékelő hibás vagy már nincs összekötve a vezérlőelektronikával. A kijelző megjeleníti a hibás érzékelőt:

- például **E1** az 1. érzékelő esetén
Az 1. érzékelő csatlakozókábele a legrövidebb, a 6. érzékelőé a leghosszabb.
- Ha egynél több érzékelő hibás, akkor a hibás érzékelők egymás után jelennek meg.
- Ellenőrizze a dugaszokat, és adott esetben dugja be azokat úgy, hogy bepattanjanak.
- Cserélje ki a hibás érzékelő(ke)t.



FIGYELEM!

A rendszer csak akkor működik, ha az összes érzékelő hibátlan.

Nincsenek hangjelzések

A hangszóró ki van kapcsolva vagy helytelenül van csatlakoztatva.

- Ellenőrizze, hogy be van-e kapcsolva a hangszóró.
- Ellenőrizze, hogy helyesen csatlakoztatta-e a hangszórót.
- Állítsa a **D1**-es paramétert „1” vagy „2” értékre (lásd „A rendszer beállítása” fejelet, 226. oldal).

A készülék hibásan jelez akadályokat

Hibás riasztáshoz a következő okok vezethetnek:

- Az érzékelők szennyeződése vagy eljégeseződése.
- Tisztítsa meg az érzékelőket.
- Az érzékelők hibásan lettek felszerelve.
- Igazítsa be az érzékelők helyzetét (**3**. ábra).
- Szükség esetén állítsa be az érzékelők érzékenységét a **41**-es, **42**-es és **43**-as paraméterekkel (lásd „A rendszer beállítása” fejelet, 226. oldal).
- Az érzékelők hozzáérnek a járműkarosszériához.
- Távolítsa el az érzékelőket a karosszériától.

A pótkerék hibás riasztásokat eredményez

- ▶ Állítsa be az 51-es, 52-es és 53-as paramétereket a pótkeréknek megfelelően (lásd „A rendszer beállítása” fejr., 226. oldal).

A járművön lévő tárgyak (például vonóhorgok) hibás riasztást okoznak

- ▶ Állítsa be az 51-es, 52-es és 53-as paramétert az adott tárgynak megfelelően a 00 vagy 01 értékre (lásd „A rendszer beállítása” fejr., 226. oldal).
- ▶ Állítsa be a 47-es, 48-as és 49-es paramétereken keresztül az adott tárgynak megfelelően a megállási zónát (lásd „A rendszer beállítása” fejr., 226. oldal).

15 Szavatosság

A termékre a törvény szerinti szavatossági időszak érvényes. A termék meghibásodása esetén forduljon a gyártói lerakathoz (a címetek lásd jelen útmutató hátoldalán), illetve az illetékes szakkereskedőhöz.

A javításhoz, illetve a szavatossági adminisztrációhoz a következő dokumentumokat kell beküldenie:

- hibás részegységek,
- a számla vásárlási dátummal rendelkező másolatát,
- a reklamáció okát vagy a hibát tartalmazó leírást.


16 Ártalmatlanítás

- ▶ A csomagolóanyagot lehetőleg a megfelelő újrahasznosítható hulladék közé tegye.



Ha a terméket véglegesen kivonja a forgalomból, kérjük, tájékozódjon a legközelebbi hulladékártalmatlanító központnál vagy a szakkereskedőjénél az idevonatkozó ártalmatlanítási előírásokkal kapcsolatosan.

17 Műszaki adatok

	MWE 7006
Cikkszám:	9600000359
Érzékelési tartomány:	kb. 0,60 m – 3 m
Ultrahang-frekvencia:	58 kHz
Tápfeszültség:	10 – 32 V
Áramfelvétel:	legfeljebb 350 mA
Üzemi hőmérséklet:	–35 °C és +70 °C közt
Engedély:	



MEGJEGYZÉS

Az érzékelők lakkozhatók. Az érzékelők lakkozását szakműhelyben javasolt elvégeztetni.

GERMANY**Domestic WAECO International GmbH**

Hollefeldstraße 63 · D-48282 Emsdetten
 ☎ +49 (0) 2572 879-195 · 📠 +49 (0) 2572 879-322
 Mail: info@domestic-waeco.de

AUSTRALIA**Domestic Australia Pty. Ltd.**

1 John Duncan Court
 Varsity Lakes QLD 4227
 ☎ 1800 212121
 📠 +61 7 55076001
 Mail: sales@domestic.com.au

AUSTRIA**Domestic Austria GmbH**

Neudorferstraße 108
 A-2353 Guntramsdorf
 ☎ +43 2236 908070
 📠 +43 2236 90807060
 Mail: info@domestic.at

BENELUX**Domestic Branch Office Belgium**

Zincstraat 3
 B-1500 Halle
 ☎ +32 2 3598040
 📠 +32 2 3598050
 Mail: info@domestic.be

BRAZIL**Domestic DO Brasil LTDA**

Avenida Paulista 1754, conj. 111
 SP 01310-920 Sao Paulo
 ☎ +55 11 3251 3352
 📠 +55 11 3251 3362
 Mail: info@domestic.com.br

DENMARK**Domestic Denmark A/S**

Nordensvej 15, Taulov
 DK-7000 Fredericia
 ☎ +45 75585966
 📠 +45 75586307
 Mail: info@domestic.dk

FINLAND**Domestic Finland OY**

Mestariitie 4
 FIN-01730 Vantaa
 ☎ +358 20 7413220
 📠 +358 9 7593700
 Mail: info@domestic.fi

FRANCE**Domestic SAS**

ZA du Pré de la Dame Jeanne
 B.P. 5
 F-60128 Plessilly
 ☎ +33 3 44633525
 📠 +33 3 44633518
 Mail: vehiculesdeloisirs@domestic.fr

HONG KONG**Domestic Group Asia Pacific**

Suites 2207-11 / 22/F - Tower 1
 The Gateway - 25 Canton Road,
 Tsim Sha Tsui - Kowloon
 ☎ +852 2 4611386
 📠 +852 2 4665553
 Mail: info@waeco.com.hk

HUNGARY**Domestic Zrt. Sales Office**

Kerekgyártó u. 5.
 H-1147 Budapest
 ☎ +36 1 468 4400
 📠 +36 1 468 4401
 Mail: budapest@domestic.hu

ITALY**Domestic Italy S.r.l.**

Via Virgilio, 3
 I-47122 Forlì (FC)
 ☎ +39 0543 754901
 📠 +39 0543 754983
 Mail: vendite@domestic.it

JAPAN**Domestic KK**

Maekawa-Shibaura, Bldg. 2
 2-13-9 Shibaura Minato-ku
 Tokyo 108-0023
 ☎ +81 3 5445 3333
 📠 +81 3 5445 3339
 Mail: info@domestic.jp

MEXICO**Domestic Mx, S. de R. L. de C. V.**

Circuito Médicos No. 6 Local 1
 Colonia Ciudad Satélite
 CP 53100 Naucalpan de Juárez
 Estado de México
 ☎ +52 55 5374 4108
 📠 +52 55 5393 4683
 Mail: info@domestic.com.mx

NETHERLANDS**Domestic Benelux B.V.**

Ecustraat 3
 NL-4879 NP Etten-Leur
 ☎ +31 76 5029000
 📠 +31 76 5029019
 Mail: info@domestic.nl

NEW ZEALAND**Domestic New Zealand Ltd.**

Unite E, The Gate
 373 Neilson Street
 Penrose 1, Auckland
 ☎ +64 9 622 1490
 📠 +64 9 622 1573
 Mail: customerservices@domestic.co.nz

NORWAY**Domestic Norway AS**

Østerøyveien 46
 N-3232 Sandefjord
 ☎ +47 33428450
 📠 +47 33428459
 Mail: firmapost@domestic.no

POLAND**Domestic Poland Sp. z o.o.**

Ul. Puławska 435A
 PL-02-801 Warszawa
 ☎ +48 22 414 3200
 📠 +48 22 414 3201
 Mail: info@domestic.pl

PORTUGAL**Domestic Spain, S.L.**

Branch Office em Portugal
 Rot. de São Gonçalo nº 1 – Esc. 12
 2775-399 Carcavelos
 ☎ +351 219 244 173
 📠 +351 219 243 206
 Mail: info@domestic.pt

RUSSIA**Domestic RUS LLC**

Komsomolskaya square 6-1
 RU-107140 Moscow
 ☎ +7 495 780 79 39
 📠 +7 495 916 56 53
 Mail: info@domestic.ru

SINGAPORE**Domestic Pte Ltd**

18 Boon Lay Way 06-140 Trade Hub 21
 Singapore 609966
 ☎ +65 6795 3177
 📠 +65 6862 6620
 Mail: domestic@domestic.com.sg

SLOVAKIA**Domestic Slovakia s.r.o. Sales Office Bratislava**

Nádražná 34/A
 900 28 Ivanka pri Dunaji
 ☎/📠 +421 2 45 529 680
 Mail: bratislava@domestic.com

SOUTH AFRICA**Domestic (Pty) Ltd.****Regional Office****South Africa & Sub-Saharan Africa**

2 Avalon Road
 West Lake View Ext 11
 Modderfontein 1645
 Johannesburg
 ☎ +27 11 4504978
 📠 +27 11 4504976
 Mail: info@domestic.co.za

SPAIN**Domestic Spain S.L.**

Avda. Sierra del Guadarrama, 16
 E-28691 Villanueva de la Cañada
 Madrid
 ☎ +34 902 111 042
 📠 +34 900 100 245
 Mail: info@domestic.es

SWEDEN**Domestic Scandinavia AB**

Gustaf Melins gata 7
 S-42131 Västra Frölunda
 ☎ +46 31 7341100
 📠 +46 31 7341101
 Mail: info@domesticgroup.se

SWITZERLAND**Domestic Switzerland AG**

Riedackerstrasse 7a
 CH-8153 Rümlang
 ☎ +41 44 8187171
 📠 +41 44 8187191
 Mail: info@domestic.ch

UNITED ARAB EMIRATES**Domestic Middle East FZCO**

P. O. Box 17860
 S-D 6, Jebel Ali Freezone
 Dubai
 ☎ +971 4 883 3858
 📠 +971 4 883 3868
 Mail: info@domestic.ae

UNITED KINGDOM**Domestic UK Ltd.**

Domestic House, The Brewery
 Blandford St. Mary
 Dorset DT11 9LS
 ☎ +44 344 626 0133
 📠 +44 344 626 0143
 Mail: customerservices@domestic.co.uk

USA**Domestic RV Division**

1120 North Main Street
 Elkhart, IN 46515
 ☎ +1 574-264-2131