

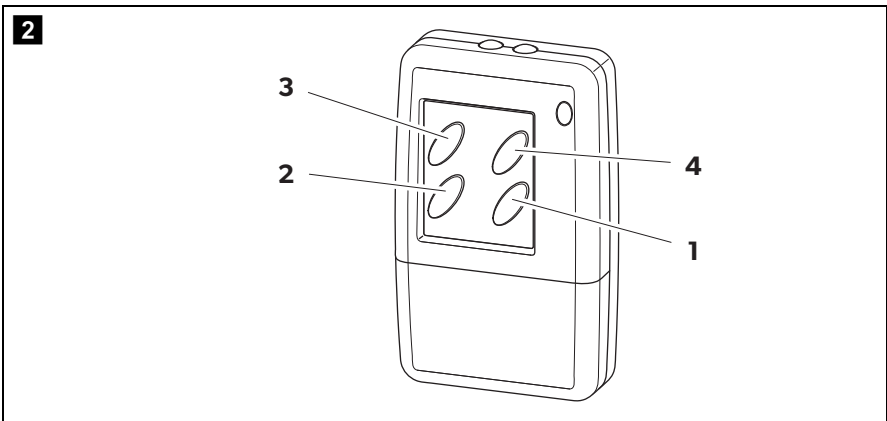
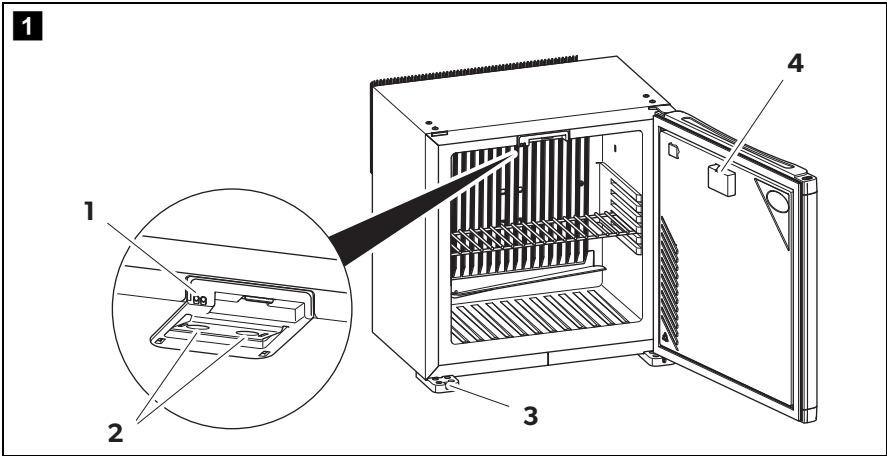
↗ DOMETIC REFRIGERATION CLASSIC

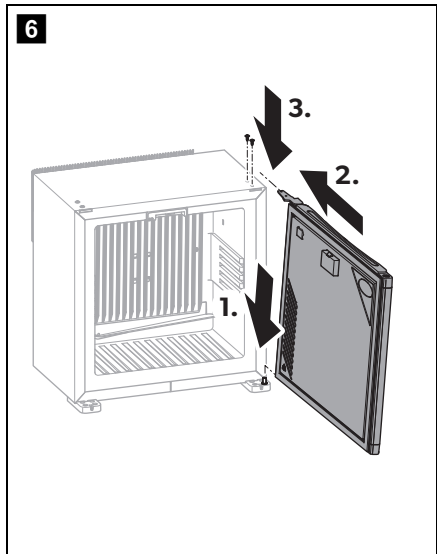
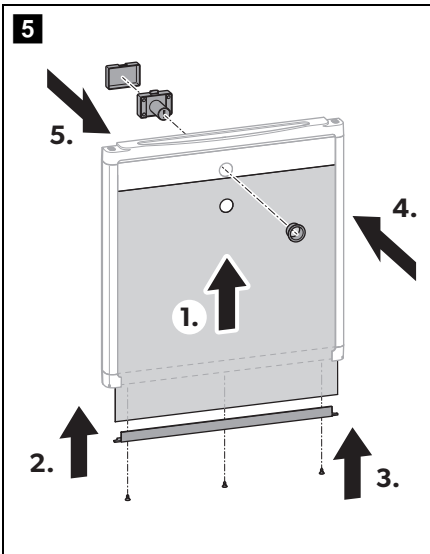
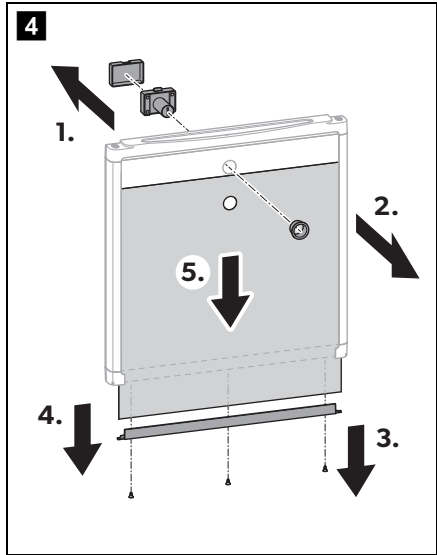
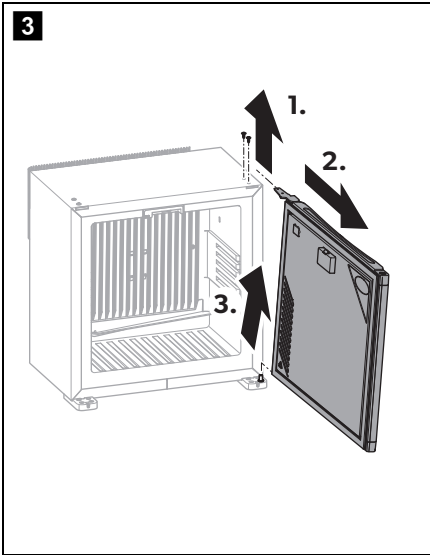


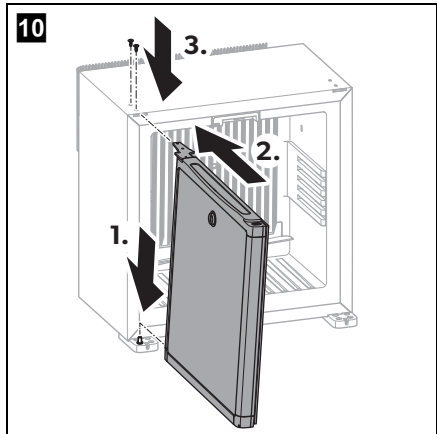
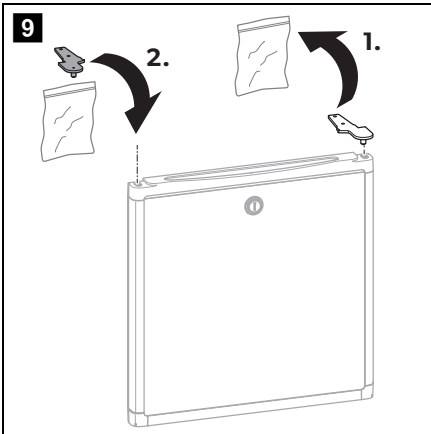
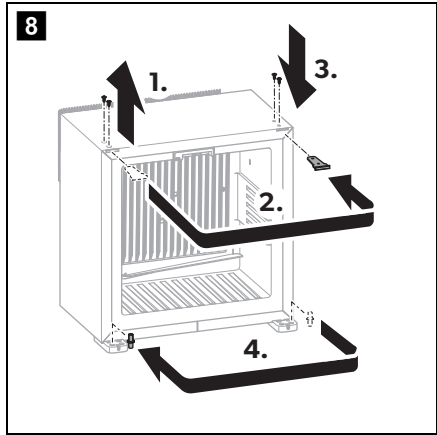
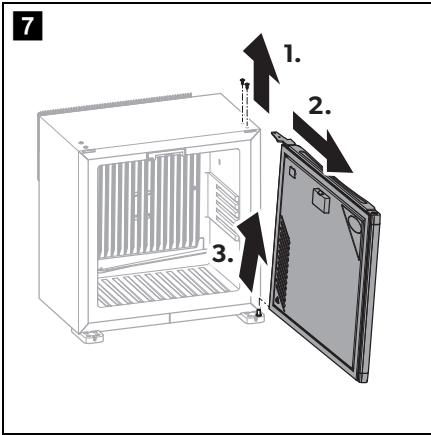
RH418NTE, RH418NTEG

EN	Minibar Installation and Operating Manual	10
DE	Minibar Montage- und Bedienungsanleitung	24
FR	Minibar Instructions de montage et de service	38
ES	Minibar Instrucciones de montaje y de uso	53
PT	Minibar Instruções de montagem e manual de instruções	68

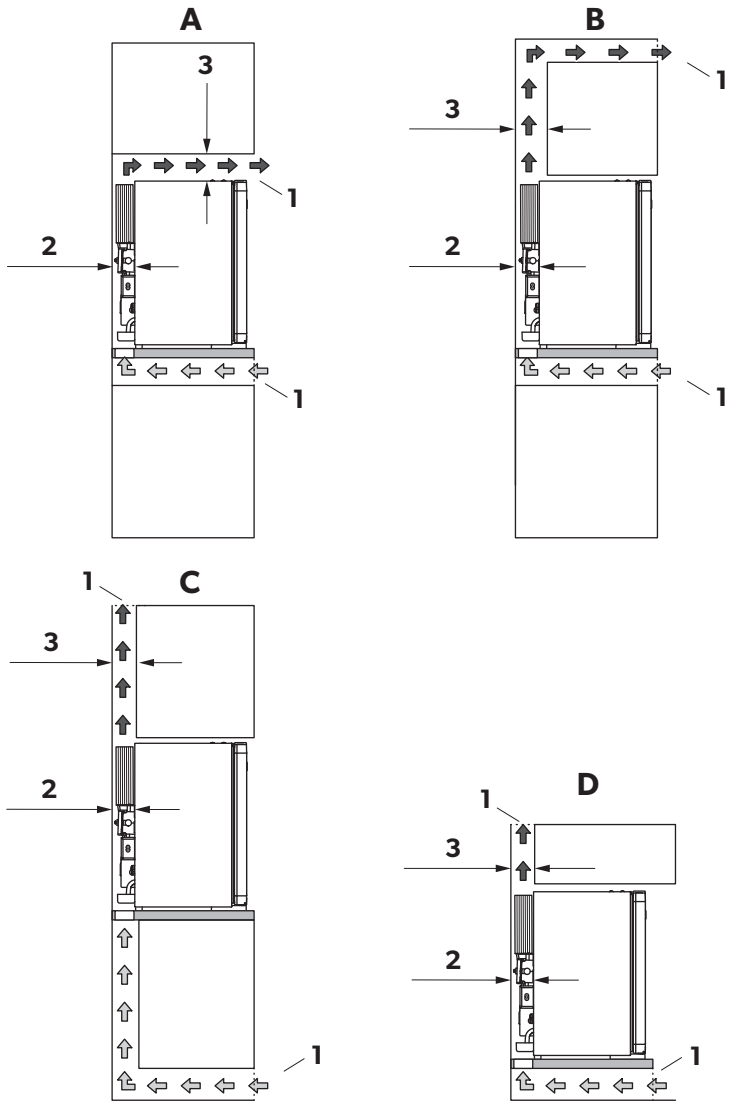
© 2023 Dometic Group. The visual appearance of the contents of this manual is protected by copyright and design law. The underlying technical design and the products contained herein may be protected by design, patent or be patent pending. The trademarks mentioned in this manual belong to Dometic Sweden AB. All rights are reserved.

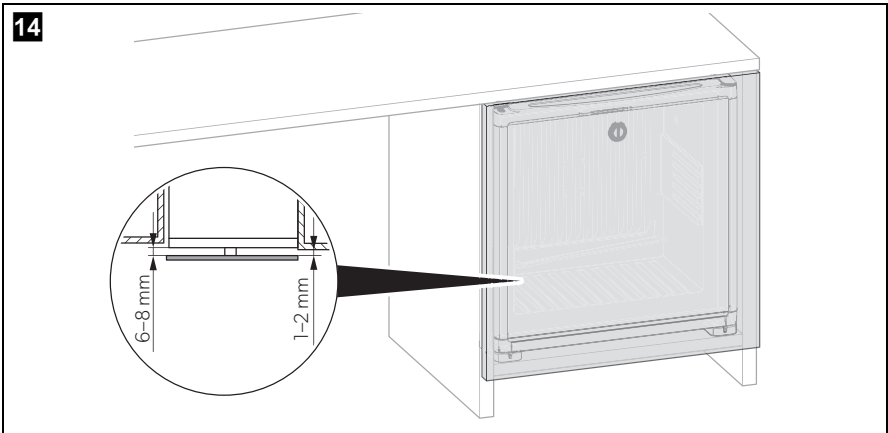
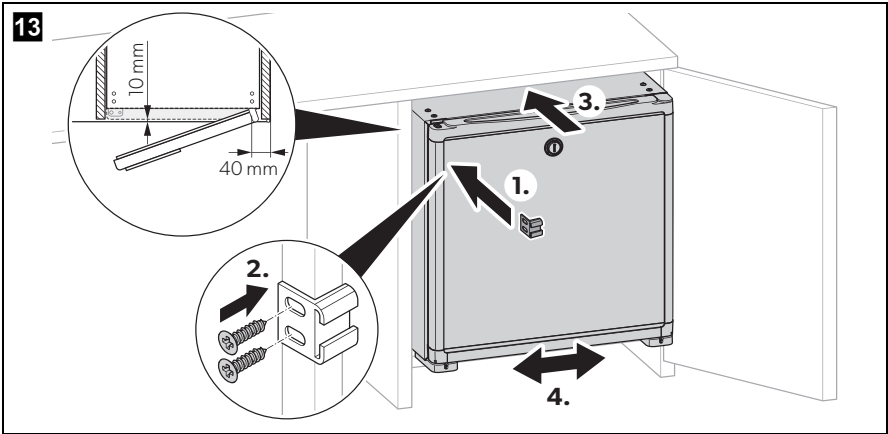
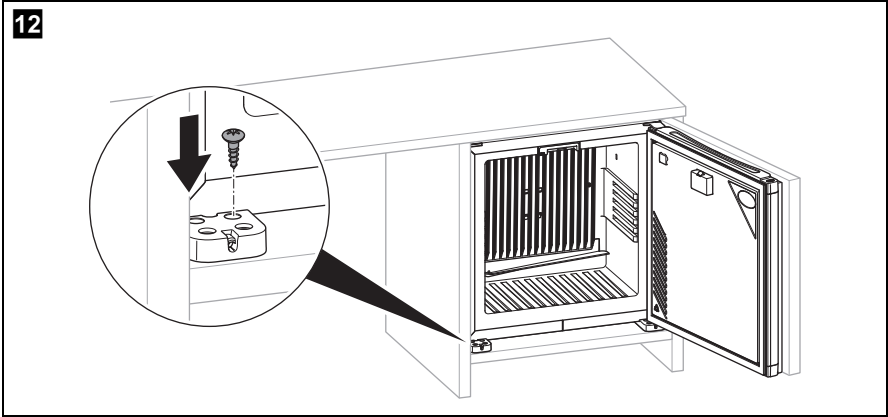


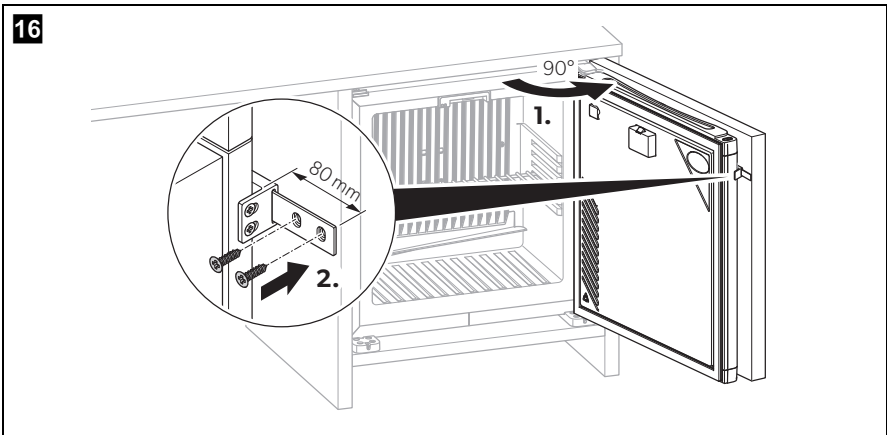
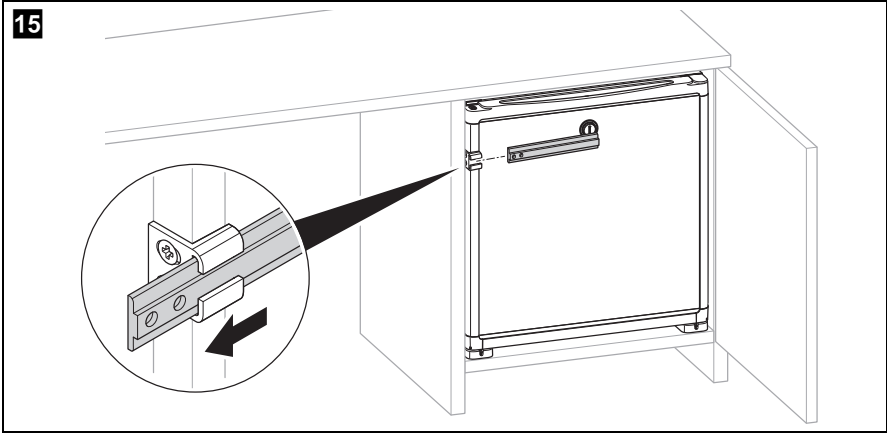


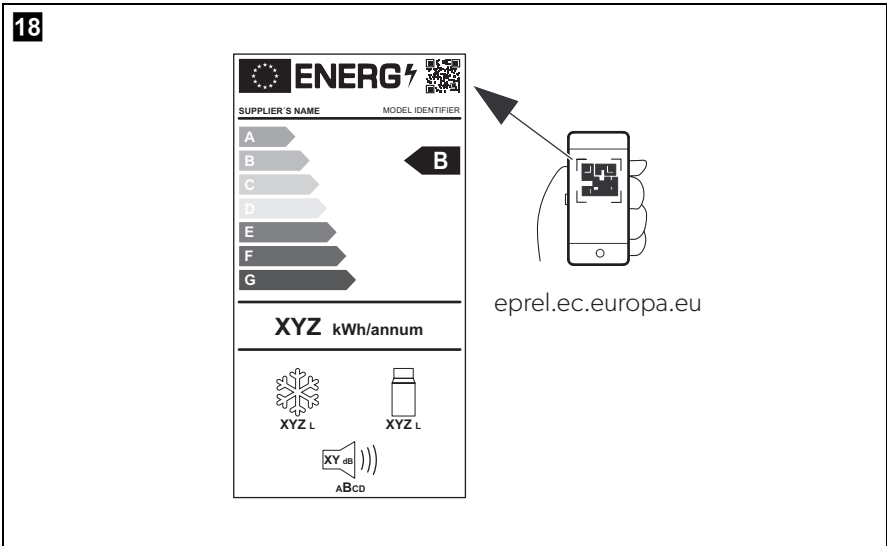
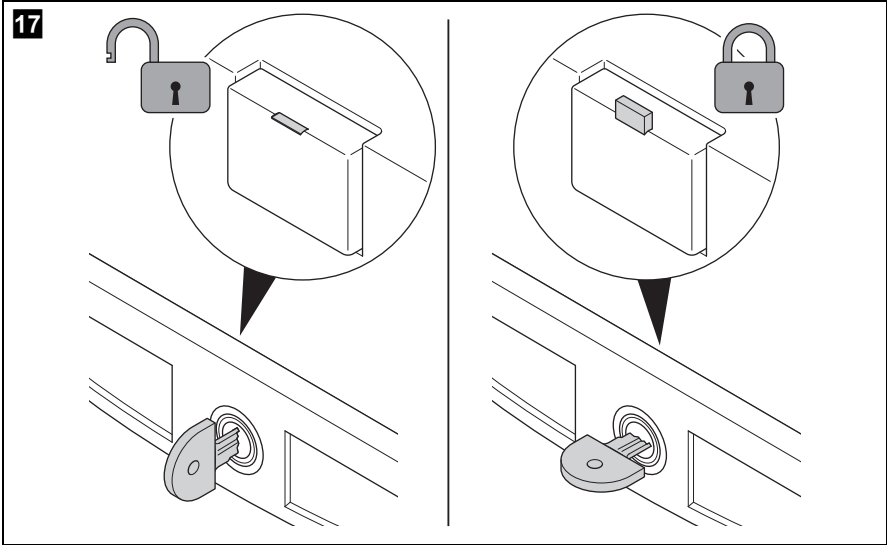


11









Please read these instructions carefully and follow all instructions, guidelines, and warnings included in this product manual in order to ensure that you install, use, and maintain the product properly at all times. These instructions **MUST** stay with this product.

By using the product, you hereby confirm that you have read all instructions, guidelines, and warnings carefully and that you understand and agree to abide by the terms and conditions as set forth herein. You agree to use this product only for the intended purpose and application and in accordance with the instructions, guidelines, and warnings as set forth in this product manual as well as in accordance with all applicable laws and regulations. A failure to read and follow the instructions and warnings set forth herein may result in an injury to yourself and others, damage to your product or damage to other property in the vicinity. This product manual, including the instructions, guidelines, and warnings, and related documentation, may be subject to changes and updates. For up-to-date product information, please visit dometic.com.

Contents

- 1 Explanation of symbols 10
- 2 Safety instructions 11
- 3 Intended use 14
- 4 Technical description 15
- 5 Installation 16
- 6 Operation 17
- 7 Cleaning and maintenance 20
- 8 Troubleshooting 21
- 9 Warranty 21
- 10 Disposal 22
- 11 Technical data 23

1 Explanation of symbols



DANGER!
Safety instruction: Indicates a hazardous situation that, if not avoided, will result in death or serious injury.



WARNING!
Safety instruction: Indicates a hazardous situation that, if not avoided, could result in death or serious injury.



CAUTION!
Safety instruction: Indicates a hazardous situation that, if not avoided, could result in minor or moderate injury.

**NOTICE!**

Indicates a situation that, if not avoided, can result in property damage.

**NOTE**

Supplementary information for operating the product.

2 Safety instructions

2.1 General safety



WARNING! Failure to obey these warnings could result in death or serious injury.

Electrocution hazard

- Ensure that the minibar has been installed by a qualified technician in accordance with the Dometic installation manual.
- Do not operate the minibar if it is visibly damaged.
- If this minibars power cable is damaged, it must be replaced by the manufacturer, service agent or a similarly qualified person in order to prevent safety hazards.
- This minibar may only be repaired by qualified personnel. Inadequate repairs may cause serious hazards.
- When positioning the minibar, ensure the supply cord is not trapped or damaged.
- Do not locate multiple portable socket-outlets or portable power supplies at the rear of the appliance.
- Plug the device to sockets that ensure proper connection especially when the device needs to be earthed.

Fire hazard

- The refrigerant in the refrigerant circuit is highly flammable. In the event of any damage to the refrigerant circuit:
 - Switch off the minibar.
 - Avoid naked flames and sparks.
 - Air the room well.
- After installation, it must still be possible to disconnect the minibar from the supply mains. This may be achieved by having the plug accessible or by incorporating a switch in the fixed wiring according to the wiring rules.

- Keep ventilation openings, in the minibar enclosure or in the built-in structure, clear of obstruction.
- Do not use mechanical devices or other means to accelerate the defrosting process, other than those recommended by the manufacturer.
- Do not open the refrigerant circuit under any circumstances.
- Do not use electrical devices inside the minibar unless they are recommended by the manufacturer for that purpose.
- Do not use or store the minibar in confined spaces with none or minimal air circulation.

Explosion hazard

- Do not store any explosive substances, such as spray cans with propellants, in the minibar.

Health hazard

- This minibar can be used by children aged from 8 years and above and persons with reduced physical, sensory or mental capabilities or lack of experience and knowledge if they have been given supervision or instruction concerning use of the minibar in a safe way and understand the hazards involved.
- Children shall not play with the minibar.
- Cleaning and user maintenance shall not be made by children without supervision.
- Children aged from 3 to 8 years are allowed to load and unload the minibar.



CAUTION! Failure to obey these cautions could result in minor or moderate injury.

Risk of crushing

- Do not put your fingers into the hinge.

Health hazard

- Foodstuff may only be stored in its original packaging or in suitable containers.



NOTICE! Damage hazard

- Check that the voltage specification on the type plate is the same as that of the power supply.
- The minibar is not suitable for storing substances which are caustic or contain solvents.

- The insulation of the cooling device contains flammable cyclopentane and requires special disposal procedures. Deliver the cooling device at the end of its life-cycle to an appropriate recycling center.
- Keep the drainage outlet clean at all times.
- Only carry the minibar upright.

2.2 Operating the minibar safely



DANGER! Failure to obey these warnings will result in death or serious injury.

Electrocution hazard

- Do not touch exposed cables with your bare hands.



CAUTION! Failure to obey these cautions could result in minor or moderate injury.

Electrocution hazard

- Before starting the minibar, ensure that the power supply line and the plug are dry.

Health hazard

- Ensure that you only put items in the minibar which may be chilled at the selected temperature.
- Food may only be stored in its original packaging or in suitable containers.
- Opening the door for long periods can cause significant increase of the temperature in the compartments of the minibar.
- Clean regularly surfaces that can come in contact with food and accessible drainage systems.
- If the minibar is left empty for long periods:
 - Switch off the minibar.
 - Defrost the minibar.
 - Clean and dry the minibar.
 - Leave the door open to prevent mold developing within the minibar.



NOTICE!

Fire hazard

- Keep burning candles, lamps and other items with naked flames away from the minibar so that they do not set the minibar on fire.

Damage hazard

- Do not place the minibar near naked flames or other heat sources (heaters, direct sunlight, gas ovens etc.).
- Never immerse the minibar in water.
- Protect the minibar and the cable against heat and moisture.
- Ensure that foodstuffs do not touch the walls of the cooling area.

3 Intended use

The refrigeration appliance (also referred to as minibar) is intended for cooling and storing beverages and food in closed containers.

The minibar is designed for operation on cruise liners or to be used in household and similar applications such as:

- Staff kitchens in stores, offices and other working environments
- Farmhouses
- Hotels, motels and other residential type environments
- Bed and breakfast type environments
- Catering and similar non-retail applications

The minibar is **not** designed for installation in caravans or motor homes.

The minibar is suitable either as a built-in appliance or as a freestanding refrigeration appliance. Refer to the installation instructions.

The minibar is **not** suitable for

- Storage of corrosive, caustic or solvent-containing substances
- Storage of fresh foods and medicine
- Deep-freezing of foodstuff

This product is only suitable for the intended purpose and application in accordance with these instructions.

This manual provides information that is necessary for proper installation and/or operation of the product. Poor installation and/or improper operating or maintenance will result in unsatisfactory performance and a possible failure.

The manufacturer accepts no liability for any injury or damage to the product resulting from:

- Incorrect assembly or connection, including excess voltage

- Incorrect maintenance or use of spare parts other than original spare parts provided by the manufacturer
- Alterations to the product without express permission from the manufacturer
- Use for purposes other than those described in this manual

Dometic reserves the right to change product appearance and product specifications.

4 Technical description

The cooling device can cool products and keep them cool. A grid divider can be used to separate foodstuffs, e.g. bottles and sweets. The cooling system is a thermo-electric cooling with a Peltier element.

4.1 Control elements on the cooling device

No. in fig. 1 , page 3	Description
1	Door opening sensor
2	Interior light
3	Automatic door control LED (optional)
4	Door lock

4.2 Remote control

No. in fig. 2 , page 3	Description
1	Red button: Resets the door control monitor
2	Black button: Low inside temperature (two different levels possible)
3	Yellow button: High inside temperature
4	Blue button: Medium inside temperature

5 Installation



CAUTION! Health hazard

To avoid a hazard due to instability of the device, it must be fixed in accordance with the instructions.



NOTICE! Damage hazard

Do not use extension cords or ungrounded (two prong) adapters.

The cooling device is designed for free-standing installation, but can be built-in if the following conditions are complied with to ensure satisfactory operation and maximum cooling efficiency.

- The cooling device must be leveled carefully to ensure proper function.
- For the glass door version: When the ambient humidity is above 65 % at 25 °C ambient temperature, moisture will condense on the door.
- The socket outlet for the mains connection must be freely accessible.

5.1 Changing the decorative plate

- ▶ Change the decorative plate as shown (fig. **3**, page 4 to fig. **6**, page 4).

5.2 Reversing the door

- ▶ Reverse the door as shown (fig. **7**, page 5 to fig. **10**, page 5).



NOTE

The LED of the automatic door control (optional) must always be located opposite the door hinge.

For versions with automatic door control, proceed as follows:

1. Pull out the LED (fig. **1** 3, page 3).
2. Lay the cable in the guide.
3. Insert the LED on the device's foot on the other side.

5.3 Fixing the cooling device

Ventilation (fig. **11, page 6)**

- Ventilation must be provided as shown in alternatives A, B, C or D.
- Ventilation grills (**1**), if used, must have openings of at least 200 cm² each.

- The minimum clearance between the cooling device's back and the surrounding structure should be as follows:

No. in fig. 11 , page 6	Min. distance
2	20 mm
3	105 mm

- The ventilation duct must at least measure 105 mm x the width of the cooling device.
 - The entire cooling unit must project into the ventilation duct as shown.
 - Air passing through the ventilation duct must not be preheated by any source of heat.
 - The ventilation duct must be kept free from any obstacles. Especially portable multi socket outlets or portable power supplies, which can get warm, must not be kept at the rear of the cooling device.
- Fix the cooling device through its fixing feet as shown (fig. **12**, page 7).

5.4 Mounting the sliding hinge (optional)

You can mount a sliding hinge that allows the cooling device door to be opened at the same time as the door of the built-in cabinet.

- Mount the sliding hinge as shown (fig. **13**, page 7 to fig. **16**, page 8).

6 Operation

6.1 Before first use

Before first use, clean the minibar inside and outside with a damp cloth for hygienic reasons (see also chapter "Cleaning and maintenance" on page 20).

6.2 Saving energy

- Only open the minibar as often and for as long as necessary.
- Avoid unnecessarily low temperature settings.
- For optimal energy consumption, position the shelves and drawers according to their position on delivery.

- On a regularly basis, make sure the door seal still fits properly.
- Clean dust and dirt from the condenser at regular intervals.

6.3 Switching on



NOTE

A few water drops may form inside the cooling device if it has been cooling for a lengthy period. This is normal because the moisture in the air condenses to water when the temperature in the cooling device falls. The cooling device is not defective. Wipe it out with a dry cloth if necessary.

1. Place the cooling device on a firm base.
 2. Connect the connection cable to the AC mains supply.
- ✓ The cooling device starts cooling the interior.

6.4 Setting the temperature

To avoid food waste, note the following:

- Keep temperature fluctuation as low as possible. Only open the minibar as often and for as long as necessary. Store the foodstuff in such a way that the air can still circulate well.
- The minibar is equipped with an automatic temperature regulation function. Select the average of the possible temperature values.
- Adjust the temperature to the quantity and type of the foodstuff.

Foodstuff can easily absorb or release odor or taste. Always store foodstuff covered or in closed containers/bottles.

The cooling device is equipped with an automatic temperature regulation function. With the optional remote control (fig. **2**, page 3) you can adjust the temperature to four different levels. Three buttons on the remote control the temperature settings.

- Black button (**2**): Low inside temperature (two different levels possible)
- Yellow button (**3**): High inside temperature
- Blue button (**4**): Medium inside temperature

With each press of the buttons on the remote control, the cooling temperature switches between the possible values. By pressing a button, a red LED illuminates on the remote control.

**NOTE**

The red LED illuminates as soon as a signal has been sent out. Check the batteries if the LED does not illuminate.

1. Remove the plastic insulation from the battery holder before initial use.
2. Align the upper side of the remote control to the LEDs of the interior light (fig. **1** 2, page 3). Maintain a distance of approx. 10 cm.
3. Press the desired button:

Button (fig. 2 page 3)	Inside temperature	LED signal
Black button (2)	Press once: Low level Press twice: Lowest level (maximum performance)	The LEDs of the interior light flash at high speed.
Yellow button (3)	High level (minimum performance)	The LEDs of the interior light flash at low speed.
Blue button (4)	Medium level	The LEDs of the interior light flash at medium speed.

6.5 Using the minibar

**NOTICE! Damage hazard**

Only store heavy objects such as bottles or cans on the bottom of the minibar.

6.6 Locking the door (optional)

- ▶ Turn the key a quarter turn to the left to lock the cooling device (fig. **17**, page 9).

6.7 Switching off

1. If you wish to switch the cooling device off, pull out the connection cable.
2. Clean the interior to make sure it is dry enough.

6.8 Using the automatic door control (optional)

The automatic door control (optional) displays via an LED (fig. **1** 3, page 3) that the door has been opened.

If the door opening monitor LED is lit:

1. Open the cooling device.
2. If necessary, refill the cooling device.
3. Reset the door control monitor with the remote control (optional).
 - Hold the remote control towards the door opening sensor (fig. **1** 1, page 3).
 - Press the red button once (fig. **2** 1, page 3).
4. Close the cooling device.

6.9 Defrosting the cooling device

The cooling device is equipped with an auto-defrost function.

7 Cleaning and maintenance



WARNING! Electrocutation hazard

Always disconnect the device from the power supply before you clean and service it.



NOTICE! Damage hazard

- Never clean the cooling device under running water or in dish water.
- Do not use abrasive cleaning agents or hard objects during cleaning as these can damage the cooling device.

1. Use a soft cloth, lukewarm water and a mild detergent to clean the inside of the cooling device.
2. Wash out the cooling device using clean water and dry thoroughly.
3. At annual intervals, remove dust from the cooling aggregate at the back of the cooling device using a brush or a soft cloth.

8 Troubleshooting

Problem	Possible cause	Suggested remedy
The cooling is poor.	Too much food was put in.	Remove some food.
	Door is not closed properly.	Close the door.
	Internal air circulation is restricted.	Provide internal air circulation.
There is no cooling.	Plug is not properly connected to the mains socket.	Put the plug into the mains socket properly.
	There is no voltage in the mains socket.	Establish voltage.

9 Warranty

The statutory warranty period applies. If the product is defective, please contact your retailer or the manufacturer's branch in your country (see dometic.com/dealer).

For repair and warranty processing, please include the following documents when you send in the product:

- A copy of the receipt with purchasing date
- A reason for the claim or description of the fault

Note that self-repair or non-professional repair can have safety consequences and might void the warranty.

10 Disposal

Recycling products with non-replaceable batteries, rechargeable batteries or light sources



➤ If the product contains any non-replaceable batteries, rechargeable batteries or light sources, you don't have to remove them before disposal.



➤ If you wish to finally dispose of the product, ask your local recycling center or specialist dealer for details about how to do this in accordance with the applicable disposal regulations.



➤ The product can be disposed free of charge.


Recycling packaging material



➤ Place the packaging material in the appropriate recycling waste bins whenever possible.

11 Technical data

The refrigerant circuit contains a small quantity of an environmentally friendly but flammable refrigerant. It does not damage the ozone layer and does not increase the greenhouse effect. Any leaking refrigerant may ignite.

	RH418NTE	RH418NTEG
Total volume	20 l	
Connection voltage:	100 – 240 V~	
Power consumption:	max. 49 W	
Energy consumption (ambient temperature +12 °C to +25 °C):	0.222 kWh/24 h	0.285 kWh/24 h
Temperature range:	0 °C to +12 °C	
Climate class:	N	
Intended ambient temperature use:	+16 °C to +32 °C	
Refrigerant:	R1234yf	
Refrigerant quantity:	38 g	
Global warming potential (GWP):	4	
Dimensions (W x H x D):	422 x 435 x 350 mm	
Weight:	10 kg	13 kg
Testing/certification:		

Further product information can be accessed via QR code on the energy label in the figures or via eprel.ec.europa.eu.

Lesen und befolgen Sie bitte alle Anweisungen, Richtlinien und Warnhinweise in diesem Produkthandbuch sorgfältig, um sicherzustellen, dass Sie das Produkt ordnungsgemäß installieren und stets ordnungsgemäß betreiben und warten. Diese Anleitung MUSS bei dem Produkt verbleiben.

Durch die Verwendung des Produktes bestätigen Sie hiermit, dass Sie alle Anweisungen, Richtlinien und Warnhinweise sorgfältig gelesen haben und dass Sie die hierin dargelegten Bestimmungen verstanden haben und ihnen zustimmen. Sie erklären sich damit einverstanden, dieses Produkt nur für den angegebenen Verwendungszweck und gemäß den Anweisungen, Richtlinien und Warnhinweisen dieses Produkthandbuchs sowie gemäß allen geltenden Gesetzen und Vorschriften zu verwenden. Eine Nichtbeachtung der hierin enthaltenen Anweisungen und Warnhinweise kann zu einer Verletzung Ihrer selbst und anderer Personen, zu Schäden an Ihrem Produkt oder zu Schäden an anderem Eigentum in der Umgebung führen. Dieses Produkthandbuch, einschließlich der Anweisungen, Richtlinien und Warnhinweise, sowie die zugehörige Dokumentation können Änderungen und Aktualisierungen unterliegen. Aktuelle Produktinformationen finden Sie unter dometic.com.

Inhaltsverzeichnis

1	Erläuterung der Symbole	24
2	Sicherheitshinweise	25
3	Bestimmungsgemäßer Gebrauch	28
4	Technische Beschreibung	29
5	Montage	30
6	Bedienung	32
7	Reinigung und Pflege	35
8	Störungsbeseitigung	35
9	Garantie	36
10	Entsorgung	36
11	Technische Daten	37

1 Erläuterung der Symbole



GEFAHR!

Sicherheitshinweis: Kennzeichnet eine Gefahrensituation, die zum Tod oder schwerer Verletzung führt, wenn die jeweiligen Anweisungen nicht befolgt werden.



WARNUNG!

Sicherheitshinweis: Kennzeichnet eine Gefahrensituation, die zum Tod oder schwerer Verletzung führen könnte, wenn die jeweiligen Anweisungen nicht befolgt werden.

**VORSICHT!**

Sicherheitshinweis: Kennzeichnet eine Gefahrensituation, die zu geringer oder mittelschwerer Verletzung führen könnte, wenn die jeweiligen Anweisungen nicht befolgt werden.

**ACHTUNG!**

Kennzeichnet eine Situation, die zu Sachschäden führen kann, wenn die jeweiligen Anweisungen nicht befolgt werden.

**HINWEIS**

Ergänzende Informationen zur Bedienung des Produktes.

2 Sicherheitshinweise

2.1 Grundlegende Sicherheit



WARNUNG! Nichtbeachtung dieser Warnungen kann zum Tod oder schwerer Verletzung führen.

Gefahr durch Stromschlag

- Stellen Sie sicher, dass die Minibar von einem qualifizierten Techniker gemäß der Dometic Montageanleitung installiert wurde.
- Wenn die Minibar sichtbare Beschädigungen aufweist, dürfen Sie sie nicht in Betrieb nehmen.
- Wenn das Anschlusskabel der Minibar beschädigt ist, muss es durch den Hersteller, einen Kundendienstmitarbeiter bzw. eine entsprechend ausgebildete Fachkraft ersetzt werden, um Gefahren zu verhindern.
- Reparaturen an der Minibar dürfen nur von qualifiziertem Personal durchgeführt werden. Durch unsachgemäße Reparaturen können erhebliche Gefahren entstehen.
- Achten Sie beim Aufstellen der Minibar darauf, dass das Netzkabel nicht eingeklemmt oder beschädigt wird.
- Platzieren Sie keine Steckdosenleisten oder tragbare Stromversorgungen hinter dem Gerät.
- Schließen Sie das Gerät an eine Steckdose an, die einen geeigneten Anschluss sicherstellt, insbesondere wenn das Gerät geerdet werden muss.

Brandgefahr

- Das Kühlmittel im Kühlkreislauf ist leicht entflammbar.
Bei einer Beschädigung des Kühlkreislaufs:
 - Schalten Sie die Minibar aus.
 - Vermeiden Sie offenes Feuer und Zündfunken.
 - Lüften Sie den Raum gut.
- Es muss nach dem Einbau noch möglich sein, die Minibar vom Stromnetz zu trennen. Dies kann erreicht werden, indem die Steckdose zugänglich bleibt bzw. das Kabel fachgerecht mit einem Schalter versehen wird.
- Halten Sie die Lüftungsöffnungen frei – sowohl im Gehäuse als auch im Einbauteil der Minibar.
- Verwenden Sie keine mechanischen oder anderen Mittel, um das Abtauen zu beschleunigen – es sei denn, diese werden vom Hersteller empfohlen.
- Öffnen Sie auf keinen Fall den Kühlkreislauf.
- Benutzen Sie keine Elektrogeräte innerhalb der Minibar, außer wenn diese Elektrogeräte vom Hersteller dafür empfohlen werden.
- Verwenden und lagern Sie die Minibar nicht in geschlossenen Räumen ohne oder mit nur geringer Luftzirkulation.

Explosionsgefahr

- Lagern Sie keine explosionsfähigen Stoffe wie z. B. Sprühdosen mit brennbarem Treibgas in der Minibar.

Gesundheitsgefahr

- Diese Minibar kann von Kindern ab 8 Jahren und von Personen mit verringerten physischen, sensorischen oder mentalen Fähigkeiten oder Mangel an Erfahrung und/oder Wissen verwendet werden, wenn diese Personen beaufsichtigt werden oder im sicheren Gebrauch der Minibar unterwiesen wurden und die daraus resultierenden Gefahren verstanden haben.
- Kinder dürfen nicht mit der Minibar spielen.
- Reinigung und Benutzerwartung dürfen nicht durch unbeaufsichtigte Kinder durchgeführt werden.
- Kinder von 3 bis 8 Jahren dürfen die Minibar be- und entladen.



VORSICHT! Nichtbeachtung dieser Hinweise kann zu leichten bis mittelschweren Verletzungen führen.

Quetschgefahr

- Fassen Sie nicht in das Scharnier.

Gesundheitsgefahr

- Lebensmittel dürfen nur in Originalverpackungen oder geeigneten Behältern eingelagert werden.

**ACHTUNG! Beschädigungsgefahr**

- Prüfen Sie, ob die Spannungsangabe auf dem Typenschild mit der vorhandenen Netzspannung übereinstimmt.
- Die Minibar ist nicht geeignet für die Lagerung ätzender oder lösungsmittelhaltiger Stoffe.
- Die Isolierung des Kühlgeräts enthält brennbares Cyclopentan und erfordert ein besonderes Entsorgungsverfahren. Entsorgen Sie das Kühlgerät am Ende seiner Nutzungsdauer in einem entsprechenden Recyclingcenter.
- Halten Sie die Abflussöffnung stets sauber.
- Transportieren Sie die Minibar nur in aufrechter Stellung.

2.2 Sicherheit beim Betrieb der Minibar**GEFAHR! Nichtbeachtung dieser Warnungen führt zum Tod oder schwerer Verletzung.****Gefahr durch Stromschlag**

- Fassen Sie nie mit bloßen Händen an blanke Leitungen.

**VORSICHT! Nichtbeachtung dieser Hinweise kann zu leichten bis mittelschweren Verletzungen führen.****Gefahr durch Stromschlag**

- Achten Sie vor der Inbetriebnahme der Minibar darauf, dass Zuleitung und Stecker trocken sind.

Gesundheitsgefahr

- Achten Sie darauf, dass sich nur Gegenstände bzw. Waren in der Minibar befinden, die auf die gewählte Temperatur gekühlt werden dürfen.
- Lebensmittel dürfen nur in Originalverpackungen oder geeigneten Behältern gelagert werden.
- Ein längeres Öffnen der Tür kann zu einem erheblichen Anstieg der Temperatur in den Fächern der Minibar führen.
- Reinigen Sie regelmäßig Oberflächen, die mit Lebensmitteln in Kontakt kommen können, sowie zugängliche Ablaufsysteme.

- Wenn die Minibar über längere Zeiträume leer bleibt:
 - Schalten Sie die Minibar aus.
 - Tauen Sie die Minibar ab.
 - Reinigen und trocknen Sie die Minibar.
 - Lassen Sie die Tür offenstehen, um Schimmelbildung in der Minibar zu verhindern.



ACHTUNG!

Brandgefahr

- Halten Sie brennende Kerzen, Lampen oder andere Gegenstände mit offenen Flammen von der Minibar fern, damit diese die Minibar nicht in Brand setzen.

Beschädigungsgefahr

- Stellen Sie die Minibar nicht in der Nähe von offenen Flammen oder anderen Wärmequellen auf (Heizungen, direkte Sonneneinstrahlung, Gasöfen usw.).
- Tauchen Sie die Minibar nie in Wasser.
- Schützen Sie die Minibar und die Kabel vor Hitze und Nässe.
- Stellen Sie sicher, dass die Lebensmittel keine Wand des Kühlraums berühren.

3 Bestimmungsgemäßer Gebrauch

Das Kühlgerät (auch als Minibar bezeichnet) ist zum Kühlen und Lagern von Getränken und Lebensmitteln in geschlossenen Behältern vorgesehen.

Die Minibar ist für den Einsatz auf Kreuzfahrtschiffen oder zur Verwendung im Haushalt oder ähnlichen Anwendungen konzipiert, wie zum Beispiel:

- Personalküchen in Ladengeschäften, Büros und anderen Arbeitsumgebungen
- Landwirtschaftliche Gebäude
- Hotels, Motels und andere wohnungsähnliche Einrichtungen
- „Bed and Breakfast“ u. ä.
- Catering und ähnliche Anwendungen außerhalb des Einzelhandels

Die Minibar ist **nicht** für den Einbau in Wohnwagen oder Wohnmobile geeignet.

Die Minibar ist entweder als Einbaugerät oder als freistehendes Kühlgerät zu verwenden. Beachten Sie die Installationsanleitung.

Die Minibar ist **nicht** für folgende Verwendungszwecke geeignet

- Lagerung von korrosiven, ätzenden oder Lösungsmittelhaltigen Stoffen
- Lagerung von frischen Lebensmitteln und Medikamenten
- Tiefkühlen von Lebensmitteln

Dieses Produkt ist nur für den angegebenen Verwendungszweck und die Anwendung gemäß dieser Anleitung geeignet.

Dieses Handbuch enthält Informationen, die für die ordnungsgemäße Installation und/oder den ordnungsgemäßen Betrieb des Produkts erforderlich sind. Installationsfehler und/oder ein nicht ordnungsgemäßer Betrieb oder eine nicht ordnungsgemäße Wartung haben eine unzureichende Leistung und u. U. einen Ausfall des Geräts zur Folge.

Der Hersteller übernimmt keine Haftung für Verletzungen oder Schäden am Produkt, die durch Folgendes entstehen:

- unsachgemäße Montage oder falscher Anschluss, einschließlich Überspannung
- unsachgemäße Wartung oder Verwendung von anderen als den vom Hersteller gelieferten Original-Ersatzteilen
- Veränderungen am Produkt ohne ausdrückliche Genehmigung des Herstellers
- Verwendung für andere als die in der Anleitung beschriebenen Zwecke

Dometic behält sich das Recht vor, das Erscheinungsbild des Produkts und dessen technische Daten zu ändern.

4 Technische Beschreibung

Das Kühlgerät kann Waren abkühlen und kühl halten. Durch ein Trenngitter können Lebensmittel getrennt werden, z. B. Flaschen und Süßigkeiten. Die Kühlung verfügt über ein thermoelektrisches Kühlsystem mit Peltierelement.

4.1 Bedienelemente am Kühlgerät

Nr. in Abb. 1 , Seite 3	Beschreibung
1	Türöffnungssensor
2	Innenbeleuchtung
3	LED der automatischen Türsteuerung (optional)
4	Türverriegelung

4.2 Fernbedienung

Nr. in Abb. 2 , Seite 3	Beschreibung
1	Roter Taster: Setzt die Türsteuerungsüberwachung zurück
2	Schwarzer Taster: Niedrige Innentemperatur (zwei verschiedene Pegel möglich)
3	Gelber Taster: Hohe Innentemperatur
4	Blauer Taster: Mittlere Innentemperatur

5 Montage



VORSICHT! Gesundheitsgefahr

Um Gefahren aufgrund eines instabilen Stands des Geräts zu vermeiden, muss das Gerät entsprechend den Anweisungen fixiert werden.



ACHTUNG! Beschädigungsgefahr

Keine Verlängerungskabel oder ungeerdete (zweipolige) Adapter verwenden.

Das Kühlgerät ist auf eine freistehende Verwendung ausgelegt. Wenn folgende Voraussetzungen erfüllt sind, bietet das Gerät jedoch auch in eingebautem Zustand einen zuverlässigen Betrieb und eine optimale Kühlleistung.

- Um eine ordnungsgemäße Funktion sicherzustellen, muss das Kühlgerät möglichst eben ausgerichtet sein.
- Bei dem Modell mit Glastür: Bei einer Luftfeuchtigkeit von über 65 % bei einer Umgebungstemperatur von 25 °C kondensiert Feuchtigkeit an der Tür.
- Die Steckdose, an die das Gerät angeschlossen ist, muss frei zugänglich sein.

5.1 Dekorplatte wechseln

- ▶ Wechseln Sie die Dekorplatte wie dargestellt (Abb. **3**, Seite 4 bis Abb. **6**, Seite 4).

5.2 Türanschlag wechseln

- Wechseln Sie den Türanschlag wie dargestellt (Abb. **7**, Seite 5 bis Abb. **10**, Seite 5).



HINWEIS

Die LED der automatischen Türsteuerung (optional) muss sich gegenüber des Türscharniers befinden.

Gehen Sie bei Modellen mit automatischer Türsteuerung wie folgt vor:

1. Entnehmen Sie die LED (Abb. **1** 3, Seite 3).
2. Verlegen Sie das Kabel in der Führung.
3. Setzen Sie die LED am Gerätesockel auf der anderen Seite ein.

5.3 Kühlgerät befestigen

Belüftung (Abb. **11**, Seite 6)

- Eine Belüftung gemäß einer der Abbildungen A, B, C oder D muss sichergestellt sein.
- Falls Lüftungsgitter (**1**) verwendet werden, müssen diese eine Öffnung von jeweils mindestens 200 cm² aufweisen.
- Bei dem Mindestabstand zwischen der Rückseite des Kühlgeräts und der umgebenden Struktur müssen folgende Werte eingehalten werden:

Nr. in Abb. 11 , Seite 6	Mindestabstand
2	20 mm
3	105 mm

- Die Abmessung des Belüftungskanals muss mindestens 105 mm x Breite des Kühlgeräts betragen.
 - Das gesamte Aggregat muss wie gezeigt in den Belüftungskanal ragen.
 - In den Belüftungskanal eintretende Luft darf nicht durch eine Wärmequelle erwärmt werden.
 - Der Belüftungskanal muss stets freigehalten werden. Insbesondere dürfen sich keine nicht fest installierten Mehrfachsteckdosen oder mobilen Stromversorgungen, die Wärme entwickeln können, an der Rückseite des Kühlgeräts befinden.
- Befestigen Sie das Kühlgerät mithilfe der Befestigungsfüße wie dargestellt (Abb. **12**, Seite 7).

5.4 Schleppbeschlag (optional) montieren

Sie können einen Schleppbeschlag montieren, mit dem sich die Tür des Kühlgeräts gleichzeitig mit der Tür des Einbauschranks öffnet.

- Montieren Sie den Schleppbeschlag wie dargestellt (Abb. **13**, Seite 7 bis Abb. **16**, Seite 8).

6 Bedienung

6.1 Vor dem ersten Gebrauch

Reinigen Sie die Minibar vor dem ersten Gebrauch aus hygienischen Gründen innen und außen mit einem feuchten Tuch (siehe auch Kapitel „Reinigung und Pflege“ auf Seite 35).

6.2 Energie sparen

- Öffnen Sie die Minibar nur so oft und so lange wie nötig.
- Vermeiden Sie eine unnötig tiefe Innentemperatur.
- Für einen optimalen Energieverbrauch positionieren Sie die Regale und Schubladen entsprechend ihrer Position bei der Auslieferung.
- Prüfen Sie in regelmäßigen Abständen, ob die Dichtung der Tür noch richtig sitzt.
- Befreien Sie den Kondensator in regelmäßigen Abständen von Staub und Verunreinigungen.

6.3 Einschalten



HINWEIS

Einige Wassertropfen können sich im Inneren des Kühlgeräts absetzen, wenn es über einen längeren Zeitraum gekühlt hat. Dies ist normal, weil die Feuchtigkeit in der Luft zu Wassertropfen kondensiert, wenn die Temperatur im Kühlgerät sinkt. Dies ist kein Zeichen für einen Defekt des Kühlgeräts. Wischen Sie die Minibar ggf. mit einem trockenen Tuch aus.

1. Stellen Sie das Kühlgerät auf eine feste Unterlage.
 2. Schließen Sie das Anschlusskabel an das Wechselstromnetz an.
- ✓ Das Kühlgerät startet mit dem Kühlen des Innenraums.

6.4 Temperatur einstellen

Um Lebensmittelverschwendung zu vermeiden, beachten Sie bitte Folgendes:

- Halten Sie Temperaturschwankungen so gering wie möglich. Öffnen Sie die Minibar nur so oft und so lange wie nötig. Lagern Sie Lebensmittel so, dass die Luft immer noch gut zirkulieren kann.
- Die Minibar ist mit einer automatischen Temperaturregelung ausgestattet. Wählen Sie den Mittelwert der möglichen Temperaturwerte aus.
- Passen Sie die Temperatur der Menge und Art der Lebensmittel an.

Lebensmittel nehmen leicht Gerüche auf und geben Gerüche oder Aromen ab. Lagern Sie Lebensmittel daher stets abgedeckt oder in geschlossenen Behältern bzw. Flaschen.

Das Kühlgerät ist mit einer automatischen Temperaturregelung ausgestattet. Mit der optionalen Fernbedienung (Abb. **2**, Seite 3) können Sie die Temperatur auf eine von vier Stufen einstellen. Über drei Taster auf der Fernbedienung lässt sich die Temperatureinstellung regeln.

- Schwarzer Taster (**2**): Niedrige Innentemperatur (zwei verschiedene Pegel möglich)
- Gelber Taster (**3**): Hohe Innentemperatur
- Blauer Taster (**4**): Mittlere Innentemperatur

Durch Drücken des entsprechenden Tasters auf der Fernbedienung wird die Kühltemperatur auf den jeweiligen Wert eingestellt. Bei Drücken eines Tasters leuchtet eine rote LED an der Fernbedienung auf.



HINWEIS

Die rote LED leuchtet auf, sobald ein Signal gesendet wurde. Wenn die LED nicht aufleuchtet, prüfen Sie die Batterien.

1. Entfernen Sie vor dem ersten Gebrauch die Kunststoffisolierung von der Batteriehalterung.
2. Richten Sie die obere Seite der Fernbedienung auf die LEDs der Innenbeleuchtung (Abb. **1** 2, Seite 3). Halten Sie einen Abstand von ca. 10 cm ein.
3. Drücken Sie den gewünschten Taster:

Taster (Abb. 2 Seite 3)	Innentemperatur	LED-Signal
Schwarzer Taster (2)	Einmal drücken: Niedrige Stufe Zweimal drücken: Niedrigste Stufe (höchste Leistung)	Die LEDs der Innenbeleuchtung blinken schnell.

Taster (Abb. 2 Seite 3)	Innentemperatur	LED-Signal
Gelber Taster (3)	Hohe Stufe (minimale Leistung)	Die LEDs der Innenbeleuchtung blinken langsam.
Blauer Taster (4)	Mittlere Stufe	Die LEDs der Innenbeleuchtung blinken mit mittlerer Geschwindigkeit.

6.5 Verwenden der Minibar



ACHTUNG! Beschädigungsgefahr

Verstauen Sie schwere Gegenstände wie z. B. Flaschen oder Dosen ausschließlich auf dem Boden der Minibar.

6.6 Tür verriegeln (optional)

- ▶ Drehen Sie den Schlüssel eine viertel Umdrehung nach links, um das Kühlgerät zu verriegeln (Abb. **17**, Seite 9).

6.7 Ausschalten

1. Wenn Sie das Kühlgerät außer Betrieb nehmen möchten, ziehen Sie das Anschlusskabel ab.
2. Reinigen Sie den Innenraum und lassen Sie das Gerät gründlich trocknen.

6.8 Automatische Türsteuerung verwenden (optional)

Die automatische Türsteuerung (optional) zeigt über eine LED (Abb. **1** 3, Seite 3) an, dass die Tür geöffnet wurde.

Wenn die LED für die Türöffnungsüberwachung leuchtet:

1. Öffnen Sie das Kühlgerät.
2. Befüllen Sie das Kühlgerät bei Bedarf neu.
3. Setzen Sie die Türsteuerungsüberwachung mithilfe der Fernbedienung (optional) zurück.
 - Richten Sie die Fernbedienung auf den Türöffnungssensor (Abb. **1** 1, Seite 3).
 - Drücken Sie den roten Taster einmal (Abb. **2** 1, Seite 3).
4. Schließen Sie das Kühlgerät.

6.9 Kühlgerät abtauen

Das Kühlgerät ist mit einer automatischen Abtaufunktion ausgestattet.

7 Reinigung und Pflege



WARNUNG! Gefahr durch Stromschlag

Trennen Sie vor jeder Reinigung und Pflege das Gerät von der Stromversorgung.



ACHTUNG! Beschädigungsgefahr

- Reinigen Sie das Kühlgerät niemals unter fließendem Wasser oder in Spülwasser.
- Verwenden Sie zum Reinigen keine scharfen Reinigungsmittel oder harten Gegenstände, da diese das Kühlgerät beschädigen können.

1. Verwenden Sie zum Reinigen des Innenraums des Kühlgeräts ein weiches Tuch und lauwarmes Wasser mit einem milden Reinigungsmittel.
2. Reinigen Sie das Kühlgerät mit sauberem Wasser und lassen Sie es gründlich trocknen.
3. Entfernen Sie einmal im Jahr den Staub von dem Kühlaggregat auf der Rückseite des Kühlgeräts mithilfe einer Bürste oder eines weichen Tuchs.

8 Störungsbeseitigung

Problem	Mögliche Ursache	Lösungsvorschlag
Die Kühlleistung des Geräts ist schlecht.	Es befinden sich zu viele Lebensmittel im Innenraum des Geräts.	Nehmen Sie einige Lebensmittel heraus.
	Die Tür ist nicht richtig geschlossen.	Schließen Sie die Tür.
	Die Luftzirkulation im Innenraum ist behindert.	Stellen Sie eine ausreichende Luftzirkulation im Innenraum sicher.

Problem	Mögliche Ursache	Lösungsvorschlag
Das Gerät kühlt nicht.	Der Stecker des Geräts ist nicht richtig in die Steckdose eingesteckt.	Stecken Sie den Netzstecker richtig in die Steckdose.
	An der Steckdose liegt keine Spannung an.	Stellen Sie die Spannung an der Steckdose wieder her.

9 Garantie

Es gilt die gesetzliche Gewährleistungsfrist. Sollte das Produkt defekt sein, wenden Sie sich bitte an Ihren Fachhändler oder die Niederlassung des Herstellers in Ihrem Land (siehe dometic.com/dealer).

Bitte senden Sie bei einem Reparatur- bzw. Gewährleistungsantrag folgende Unterlagen mit dem Produkt ein:

- eine Kopie der Rechnung mit Kaufdatum
- einen Reklamationsgrund oder eine Fehlerbeschreibung

Bitte beachten Sie, dass eigenständig oder nicht fachgerecht durchgeführte Reparaturen die Sicherheit gefährden und zum Erlöschen der Garantie führen können.

10 Entsorgung

Recycling von Produkten mit nicht auswechselbaren Batterien, wiederaufladbaren Batterien oder Leuchtmitteln



- ▶ Wenn das Produkt nicht auswechselbare Batterien, wiederaufladbare Batterien oder Leuchtmittel enthält, brauchen Sie diese vor der Entsorgung nicht zu entfernen.



- ▶ Wenn Sie das Gerät endgültig entsorgen möchten, informieren Sie sich bitte bei Ihrem Wertstoffhof vor Ort oder bei Ihrem Fachhändler, wie dies gemäß den geltenden Entsorgungsvorschriften zu tun ist.
- ▶ Das Produkt kann kostenlos entsorgt werden.


Recycling von Verpackungsmaterial



- ▶ Geben Sie das Verpackungsmaterial möglichst in den entsprechenden Recycling-Müll.

11 Technische Daten

Der Kühlkreislauf enthält eine kleine Menge an umweltfreundlichem, aber brennbarem Kühlmittel. Das Kühlmittel schädigt nicht die Ozonschicht und trägt auch nicht zum Treibhauseffekt bei. Austretendes Kühlmittel kann sich entzünden.

	RH418NTE	RH418NTEG
Gesamtinhalt	20 l	
Anschlussspannung:	100 – 240 V~	
Leistungsaufnahme:	max. 49 W	
Energieverbrauch (Umgebungstemperatur +12 °C bis +25 °C):	0,222 kWh/24 h	0,285 kWh/24 h
Temperaturbereich:	0 °C bis +12 °C	
Klimaklasse:	N	
Bestimmungsgemäßer Gebrauch bei Umgebungstemperatur:	+16 °C bis +32 °C	
Kühlmittel:	R1234yf	
Kühlmittelmenge:	38 g	
Treibhauspotential (GWP):	4	
Abmessungen (B x H x T):	422 x 435 x 350 mm	
Gewicht:	10 kg	13 kg
Prüfung/Zertifikat:		

Weitere Produktinformationen sind über den QR-Code auf dem Energieetikett in den Abbildungen oder unter eprel.ec.europa.eu abrufbar.

Veillez lire et suivre attentivement l'ensemble des instructions, directives et avertissements figurant dans ce manuel afin d'installer, d'utiliser et d'entretenir le produit correctement à tout moment. Ces instructions DOIVENT rester avec le produit.

En utilisant ce produit, vous confirmez expressément avoir lu attentivement l'ensemble des instructions, directives et avertissements et que vous comprenez et acceptez de respecter les modalités et conditions énoncées dans le présent document. Vous acceptez d'utiliser ce produit uniquement pour l'usage et l'application prévus et conformément aux instructions, directives et avertissements figurant dans le présent manuel, ainsi qu'à toutes les lois et réglementations applicables. En cas de non-respect des instructions et avertissements figurant dans ce manuel, vous risquez de vous blesser ou de blesser d'autres personnes, d'endommager votre produit ou d'endommager d'autres biens à proximité. Le présent manuel produit, y compris les instructions, directives et avertissements, ainsi que la documentation associée peuvent faire l'objet de modifications et de mises à jour. Pour obtenir des informations actualisées sur le produit, veuillez consulter le site dometic.com.

Sommaire

1	Signification des symboles	38
2	Consignes de sécurité	39
3	Usage conforme	42
4	Description technique	43
5	Installation	44
6	Utilisation	46
7	Nettoyage et entretien	49
8	Guide de dépannage	50
9	Garantie	50
10	Retraitement	51
11	Caractéristiques techniques	52

1 Signification des symboles



DANGER !

Consignes de sécurité : indiquent une situation dangereuse qui, si elle n'est pas évitée, entraînera des blessures graves, voire mortelles.



AVERTISSEMENT !

Consignes de sécurité : indiquent une situation dangereuse qui, si elle n'est pas évitée, est susceptible d'entraîner des blessures graves, voire mortelles.

**ATTENTION !**

Consignes de sécurité : indiquent une situation dangereuse qui, si elle n'est pas évitée, est susceptible d'entraîner des blessures légères ou de gravité modérée.

**AVIS !**

indiquent une situation dangereuse qui, si elle n'est pas évitée, peut entraîner des dommages matériels.

**REMARQUE**

Informations complémentaires sur l'utilisation de ce produit.

2 Consignes de sécurité

2.1 Sécurité générale



AVERTISSEMENT ! Le non-respect de ces mises en garde peut entraîner des blessures graves, voire mortelles.

Risque d'électrocution

- Assurez-vous que le minibar a été installé par un technicien qualifié conformément au manuel d'installation de Dometic.
- Si le minibar présente des dégâts visibles, ne le mettez pas en service.
- Si le câble de raccordement du minibar est endommagé, il doit être remplacé par le fabricant, un agent de service ou une personne de qualification similaire, afin d'éviter tout danger.
- Seul un opérateur qualifié est habilité à effectuer des réparations sur le minibar. Toute réparation inappropriée risque d'entraîner de graves dangers.
- Veillez à ne pas coincer ni endommager le cordon d'alimentation lors de la mise en place du minibar.
- Ne placez pas de multiprises portables ou de blocs d'alimentation portables à l'arrière de l'appareil.
- Branchez l'appareil sur des prises permettant un raccordement approprié, en particulier lorsque l'appareil doit être relié à la terre.

Risque d'incendie

- Le réfrigérant du circuit frigorifique s'enflamme facilement.
En cas d'endommagement du circuit frigorifique :
 - Éteignez le minibar.
 - Évitez toute flamme nue et/ou étincelle.
 - Aérez bien la pièce.
- Après l'installation, il doit être possible de débrancher le minibar du secteur. Pour ce faire, la prise de courant doit être accessible ou un interrupteur doit être ajouté dans le câblage fixe, conformément aux règles de câblage.
- Veillez à ce que les orifices de ventilation situés sur le châssis du minibar ou dans la structure intégrée ne soient pas obstrués.
- N'utilisez pas d'appareils mécaniques ou d'autres moyens pour accélérer le processus de décongélation, outre ceux recommandés par le fabricant.
- N'ouvrez jamais le circuit frigorifique.
- N'utilisez aucun appareil électrique à l'intérieur du minibar, sauf s'ils sont recommandés par le fabricant pour cet usage.
- N'utilisez ou ne stockez pas le minibar dans des espaces confinés avec une aération faible ou inexistante.

Risque d'explosion

- Ne stockez aucune substance explosive, telle que des aérosols contenant des propulsifs dans le minibar.

Risque pour la santé

- Ce minibar peut être utilisé par des enfants âgés de 8 ans et plus et des personnes ayant des capacités physiques, sensorielles ou mentales réduites ou un manque d'expérience et de connaissances, s'ils sont sous surveillance ou ont reçu des instructions sur l'utilisation du minibar en toute sécurité et comprennent les risques impliqués.
- Les enfants ne doivent pas jouer avec le minibar.
- Le nettoyage et l'entretien ne doivent pas être effectués par des enfants sans surveillance.
- Les enfants âgés de 3 à 8 ans peuvent remplir et vider le minibar.



ATTENTION ! Le non-respect de ces mises en garde peut entraîner des blessures légères ou de gravité modérée.

Risque d'écrasement

- Ne touchez pas la charnière.

Risque pour la santé

- Les produits alimentaires doivent être conservés dans leurs emballages originaux ou dans des récipients appropriés.

**AVIS ! Risque d'endommagement**

- Vérifiez que la tension indiquée sur la plaque signalétique correspond à l'alimentation électrique dont vous disposez.
- Ne stockez aucune substance corrosive ou contenant des solvants dans le minibar.
- L'isolation du dispositif de réfrigération contient des gaz inflammables et nécessite des procédures d'élimination spéciales. À la fin de son cycle de vie, remettez le dispositif de réfrigération à un centre de recyclage approprié.
- Veillez à ce que l'ouverture d'évacuation soit toujours propre.
- Portez uniquement le minibar en position verticale.

2.2 Consignes de sécurité relatives au fonctionnement du minibar

**DANGER ! Le non-respect de cette mise en garde entraînera des blessures graves, voire mortelles.****Risque d'électrocution**

- Ne touchez jamais les câbles dénudés à mains nues.

**ATTENTION ! Le non-respect de ces mises en garde peut entraîner des blessures légères ou de gravité modérée.****Risque d'électrocution**

- Avant de mettre le minibar en service, assurez-vous que le câble et la prise d'alimentation électrique sont secs.

Risque pour la santé

- Assurez-vous de stocker uniquement des objets pouvant être refroidis à la température sélectionnée dans le minibar.
- Les aliments doivent être conservés dans leur emballage d'origine ou dans des récipients appropriés.
- Une ouverture prolongée de la porte peut entraîner une augmentation significative de la température dans les compartiments du minibar.
- Nettoyez régulièrement les surfaces qui entrent en contact avec les aliments, ainsi que les systèmes de drainage accessibles.

- Si le minibar reste vide pendant une période prolongée :
 - Éteignez le minibar.
 - Dégivrez le minibar.
 - Nettoyez et séchez le minibar.
 - Laissez la porte ouverte pour éviter que des moisissures ne se forment à l'intérieur du minibar.

**AVIS!****Risque d'incendie**

- Tenez les bougies allumées, lampes et autres objets comportant une flamme nue à l'écart du minibar pour éviter tout risque d'incendie.

Risque d'endommagement

- Ne placez pas le minibar près de flammes nues ou d'autres sources de chaleur (radiateurs, rayons solaires, fours à gaz, etc.).
- N'immergez jamais le minibar dans l'eau.
- Tenez le minibar et les câbles à l'abri de la chaleur et de l'humidité.
- Assurez-vous que les denrées alimentaires n'entrent pas en contact avec les parois du compartiment de réfrigération.

3 Usage conforme

L'appareil de réfrigération (également appelé minibar) est destiné à refroidir et à stocker les boissons et les aliments dans des conteneurs fermés.

Le minibar est conçu pour être utilisé dans des bateaux de croisière ou pour des applications domestiques ou similaires, telles que :

- Dans les réfectoires des magasins, bureaux et autres environnements professionnels
- Dans les maisons d'hôtes
- Dans les hôtels, motels et autres environnements de type résidentiel
- Les gîtes et environnements similaires
- La restauration et les applications similaires non liées à la vente au détail

Le minibar n'est **pas** adapté à une installation dans les caravanes ou mobile-homes.

Le minibar est adapté à une utilisation en tant qu'appareil de réfrigération intégré ou autonome. Consultez les instructions d'installation.

Le minibar n'est **pas** adapté à ce qui suit

- Le stockage de substances corrosives, caustiques ou contenant des solvants

- Stockage d'aliments frais et de médicaments
- Congélation d'aliments

Ce produit convient uniquement à l'usage et à l'application prévus, conformément au présent manuel d'instructions.

Ce manuel fournit les informations nécessaires à l'installation et/ou à l'utilisation correcte du produit. Une installation, une utilisation ou un entretien inappropriés entraînera des performances insatisfaisantes et une éventuelle défaillance.

Le fabricant décline toute responsabilité en cas de blessure ou de dommage résultant :

- d'un montage ou d'un raccordement incorrect, y compris d'une surtension
- d'un entretien inadapté ou de l'utilisation de pièces de rechange autres que les pièces de rechange d'origine fournies par le fabricant
- de modifications apportées au produit sans autorisation explicite du fabricant
- d'usages différents de ceux décrits dans ce manuel.

Dometic se réserve le droit de modifier l'apparence et les spécifications produit.

4 Description technique

L'appareil de réfrigération peut réfrigérer et tenir au frais les aliments. Une grille de séparation peut être utilisée pour séparer les denrées alimentaires, p. ex. bouteilles et sucreries. Le système de réfrigération est un refroidissement thermoélectrique par effet Peltier.

4.1 Éléments de commande sur l'appareil de réfrigération

No. dans fig. 1, page 3	Description
1	Capteur d'ouverture de la porte
2	Éclairage intérieur
3	LED de commande de porte automatique (en option)
4	Dispositif de verrouillage de la porte

4.2 Télécommande

No. dans fig. 2 , page 3	Description
1	Touche rouge : réinitialise le moniteur de commande de la porte
2	Touche noire : température intérieure basse (deux niveaux différents possibles)
3	Touche jaune : température intérieure élevée
4	Touche bleue : température intérieure moyenne

5 Installation



ATTENTION ! Risque pour la santé

Pour éviter tout risque dû à l'instabilité de l'appareil, celui-ci doit être fixé conformément aux instructions.



AVIS ! Risque d'endommagement

N'utilisez pas de câbles de rallonge ni d'adaptateurs non mis à la terre (à deux broches).

L'appareil de réfrigération est conçu pour une installation en pose libre, mais il peut également être encastré si les conditions suivantes sont entièrement satisfaites afin de garantir un fonctionnement correct et une puissance frigorifique maximale.

- L'appareil de réfrigération doit être mis à niveau avec précaution pour garantir un fonctionnement correct.
- Avec la version équipée d'une porte en verre : de l'humidité peut se condenser sur la porte lorsque l'humidité de l'air est supérieure à 65 % à une température ambiante de 25 °C.
- La sortie pour la tension secteur doit être facile d'accès.

5.1 Changement de la façade

- Vous pouvez changer la façade comme indiqué (fig. **3**, page 4 à fig. **6**, page 4).

5.2 Modification du côté d'ouverture de la porte

- Inversez la porte comme indiqué (fig. **7**, page 5 à fig. **10**, page 5).



REMARQUE

La LED de la commande de porte automatique (en option) doit toujours se trouver du côté opposé à la charnière de la porte.

Pour les versions avec commande de porte automatique, procédez comme suit :

1. Retirez la LED (fig. **1** 3, page 3).
2. Placez le câble dans le guide.
3. Insérez la LED sur le pied de l'appareil de l'autre côté.

5.3 Fixation de l'appareil de réfrigération

Ventilation (fig. **11**, page 6)

- La ventilation doit être assurée comme illustré dans les variantes A, B, C ou D.
- Les grilles d'aération (**1**), le cas échéant, doivent avoir une ouverture d'au moins 200 cm² chacune.
- L'espace minimum entre l'arrière de l'appareil de réfrigération et la structure environnante doit être comme suit :

No. dans fig. 11 , page 6	Distance min.
2	20 mm
3	105 mm

- La canalisation d'aération doit être d'au moins 105 mm x la largeur de l'appareil de réfrigération.
 - La canalisation d'aération doit être réservée à l'appareil de réfrigération, comme illustré.
 - L'air passant par la canalisation d'aération ne doit être chauffé par aucune source de chaleur.
 - La canalisation d'aération doit être dégagée de tout autre obstacle. En particulier, les multiprises portables ou les blocs d'alimentation portables qui risquent de chauffer ne doivent pas être placés à l'arrière de l'appareil de réfrigération.
- Fixez l'appareil de réfrigération à l'aide de ses pieds de fixation comme illustré (fig. **12**, page 7).

5.4 Montage (optionnel) de la ferrure coulissante

Vous pouvez monter une ferrure coulissante permettant d'ouvrir simultanément la porte de l'appareil de réfrigération et celle de l'armoire encastrée.

- Montez la ferrure coulissante comme indiqué (fig. **13**, page 7 à fig. **16**, page 8).

6 Utilisation

6.1 Avant la première utilisation

Avant la première utilisation, nettoyez l'intérieur et l'extérieur du minibar avec un chiffon humide pour des raisons d'hygiène (voir également chapitre « Nettoyage et entretien », page 49).

6.2 Économie d'énergie

- Ouvrez uniquement le minibar lorsque c'est nécessaire et le moins longtemps possible.
- Évitez une température intérieure inutilement basse.
- Pour une consommation d'énergie optimale, positionnez les clayettes et les tiroirs conformément à leur position à la livraison.
- Vérifiez régulièrement que le joint de la porte est correctement positionné.
- Nettoyez régulièrement le condenseur pour enlever la poussière et les salissures.

6.3 Mise en marche



REMARQUE

Quelques gouttes d'eau peuvent se former à l'intérieur de l'appareil de réfrigération s'il a été en mode de refroidissement pendant une longue période. Ceci est normal, car l'humidité de l'air se condense en gouttes d'eau lorsque la température baisse dans l'appareil de réfrigération. L'appareil de réfrigération n'est pas défectueux. Essayez-le éventuellement avec un chiffon sec.

1. Placez l'appareil de réfrigération sur une surface stable.
 2. Branchez le câble de raccordement au réseau électrique CA.
- ✓ L'appareil de réfrigération commence par la réfrigération du compartiment intérieur.

6.4 Réglage de la température

Pour éviter de gâcher des aliments, notez les éléments suivants :

- Évitez autant que possible les variations de température. Ouvrez uniquement le minibar lorsque c'est nécessaire et le moins longtemps possible. Entrez les denrées alimentaires de sorte que l'air puisse circuler librement entre eux.
- Le minibar est équipé d'une fonction de régulation automatique de la température. Sélectionnez la moyenne des valeurs de température possibles.
- Ajustez la température en fonction de la quantité et de la nature des denrées alimentaires.

Les denrées alimentaires peuvent facilement absorber ou dégager des odeurs. Entrez toujours les denrées alimentaires dans des conteneurs/bouteilles couverts ou fermés.

L'appareil de réfrigération est équipé d'une fonction de régulation de la température automatique. La télécommande proposée en option (fig. **2**, page 3) vous permet d'adapter la température sur quatre niveaux différents. Trois touches situées sur la télécommande permettent de contrôler les réglages de la température.

- Touche noire (**2**) : température intérieure basse (deux niveaux différents possibles)
- Touche jaune (**3**) : température intérieure élevée
- Touche bleue (**4**) : température intérieure moyenne

À chaque pression sur les touches de la télécommande, la température de refroidissement commute entre les valeurs possibles. Lorsque vous appuyez sur une touche, une LED rouge s'allume sur la télécommande.



REMARQUE

La LED rouge s'allume dès qu'un signal a été émis. Vérifiez les piles si la LED ne s'allume pas.

1. Retirez l'isolation plastique du compartiment des piles avant la première utilisation.
2. Dirigez la face supérieure de la télécommande vers les LED de l'éclairage intérieur (fig. **1** 2, page 3). Maintenez une distance d'environ 10 cm.
3. Appuyez sur la touche souhaitée :

Touche (fig. 2 page 3)	Température intérieure	Signal LED
Touche noire (2)	Une pression : niveau bas Deux pressions : niveau le plus bas (performance maximale)	Les LED de l'éclairage intérieur clignotent rapidement.
Touche jaune (3)	Niveau haut (performance minimale)	Les LED de l'éclairage intérieur clignotent lentement.
Touche bleue (4)	Niveau moyen	Les LED de l'éclairage intérieur clignotent à vitesse moyenne.

6.5 Utilisation du minibar



AVIS ! Risque d'endommagement

Entreposez uniquement les objets lourds, tels que des bouteilles ou des canettes en bas du minibar.

6.6 Verrouillage de la porte (en option)

- Tournez la clé d'un quart de tour vers la gauche pour verrouiller l'appareil de réfrigération (fig. **17**, page 9).

6.7 Arrêt

1. Pour mettre l'appareil de réfrigération hors service, débranchez le câble de raccordement.
2. Nettoyez l'intérieur et assurez-vous qu'il est assez sec.

6.8 Utilisation de la commande de porte automatique (en option)

La commande de porte automatique (en option) signale par une LED (fig. **1** 3, page 3) que la porte a été ouverte.

Si la LED de surveillance d'ouverture de la porte est allumée :

1. Ouvrez l'appareil de réfrigération.
2. Si nécessaire, remplissez l'appareil de réfrigération.
3. Réinitialisez la surveillance de commande de la porte à l'aide de la télécommande (en option).
 - Orientez la télécommande vers le capteur d'ouverture de la porte (fig. **1** 1, page 3).
 - Appuyez une fois sur la touche rouge (fig. **2** 1, page 3).
4. Fermez l'appareil de réfrigération.

6.9 Dégivrage de l'appareil de réfrigération

L'appareil de réfrigération est équipé d'une fonction de dégivrage automatique.

7 Nettoyage et entretien



AVERTISSEMENT ! Risque d'électrocution

Avant toute opération de nettoyage ou d'entretien de l'appareil, veillez à débrancher celui-ci du secteur.



AVIS ! Risque d'endommagement

- Ne nettoyez jamais l'appareil de réfrigération à l'eau courante et ne le plongez pas non plus dans l'eau.
- N'utilisez ni détergents abrasifs, ni objets durs pour le nettoyage, ceux-ci pouvant endommager l'appareil de réfrigération.

1. Utilisez un chiffon doux et de l'eau tiède mélangée à un détergent doux pour nettoyer l'intérieur de l'appareil de réfrigération.
2. Rincez l'appareil de réfrigération à l'eau claire et séchez-le méticuleusement.
3. Une fois par an, dépoussiérez le groupe de refroidissement à l'arrière de l'appareil de réfrigération à l'aide d'une brosse ou d'un chiffon doux.

8 Guide de dépannage

Problème	Cause possible	Solution proposée
Le refroidissement est médiocre.	Une quantité trop importante d'aliments a été placée à l'intérieur.	Retirez quelques aliments.
	La porte n'est pas correctement fermée.	Fermez la porte.
	La circulation d'air à l'intérieur de l'appareil est entravée.	Dégagez la circulation d'air à l'intérieur de l'appareil.
Il n'y a aucun refroidissement.	La fiche n'est pas branchée correctement sur la prise secteur.	Branchez la fiche correctement sur la prise secteur.
	Il n'y a aucune tension au niveau de la prise secteur.	Mettez sous tension.

9 Garantie

La période de garantie légale s'applique. Si le produit est défectueux, contactez votre revendeur ou la filiale locale du fabricant (voir dometic.com/dealer).

Pour toutes réparations ou autres prestations de garantie, veuillez joindre au produit les documents suivants :

- une copie de la facture avec la date d'achat
- un motif de réclamation ou une description du dysfonctionnement

Notez que toute réparation effectuée par une personne non agréée peut présenter un risque de sécurité et annuler la garantie.

10 Retraitement

Recyclage des produits contenant des piles non remplaçables, des batteries ou des sources lumineuses rechargeables



- Si le produit contient des piles non remplaçables, des batteries ou des sources lumineuses rechargeables, vous n'avez pas besoin de les retirer avant de les mettre au rebut.



- Si vous souhaitez mettre le produit au rebut, contactez le centre de recyclage le plus proche ou votre revendeur spécialisé afin d'être informé des réglementations liées au traitement des déchets.
- Le produit peut être mis au rebut gratuitement.


Recyclage des emballages



- Dans la mesure du possible, jetez les emballages dans les conteneurs de déchets recyclables prévus à cet effet.

11 Caractéristiques techniques

Le circuit frigorifique contient une faible quantité de liquide de réfrigérant écologique, mais inflammable. Il n'affecte pas la couche d'ozone et ne contribue pas à l'effet de serre. Une fuite de liquide réfrigérant peut prendre feu.

	RH418NTE	RH418NTEG
Volume total	20 L	
Tension de raccordement :	100 – 240 V~	
Consommation électrique :	49 W max.	
Consommation d'énergie (température ambiante de +12 °C à +25 °C) :	0,222 kWh/24 h	0,285 kWh/24 h
Plage de températures :	0 °C à +12 °C	
Classe climatique :	N	
Utilisation prévue à température ambiante :	+16 °C à +32 °C	
Fluide frigorigène :	R1234yf	
Quantité de fluide frigorigène :	38 g	
Potentiel d'effet de serre (GWP) :	4	
Dimensions (l x H x P) :	422 x 435 x 350 mm	
Poids :	10 kg	13 kg
Test/certification :		

Pour plus d'informations sur le produit, scannez le code QR figurant sur l'étiquette énergétique illustrée dans ce manuel ou rendez-vous sur eprel.ec.europa.eu.

Lea atentamente estas instrucciones y siga las indicaciones, directrices y advertencias incluidas en este manual para asegurarse de que instala, usa y mantiene correctamente el producto en todo momento. Estas instrucciones DEBEN permanecer con este producto.

Al usar el producto, usted confirma que ha leído cuidadosamente todas las instrucciones, directrices y advertencias, y que entiende y acepta cumplir los términos y condiciones aquí establecidos. Usted se compromete a usar este producto solo para el propósito y la aplicación previstos y de acuerdo con las instrucciones, directrices y advertencias establecidas en este manual del producto, así como de acuerdo con todas las leyes y reglamentos aplicables. La no lectura e incumplimiento de las instrucciones y advertencias aquí expuestas puede causar lesiones a usted o a terceros, daños en el producto o daños en otras propiedades cercanas. Este manual del producto, incluyendo las instrucciones, directrices y advertencias, y la documentación relacionada, pueden estar sujetos a cambios y actualizaciones. Para obtener información actualizada sobre el producto, visite la página dometic.com.

Índice

1	Explicación de los símbolos	53
2	Indicaciones de seguridad	54
3	Uso previsto	57
4	Descripción técnica	58
5	Instalación	59
6	Manejo.	61
7	Limpieza y cuidado	64
8	Resolución de problemas.	65
9	Garantía	65
10	Gestión de residuos	66
11	Datos técnicos.	67

1 Explicación de los símbolos



¡PELIGRO!

Información de seguridad: Indica una situación peligrosa que, de no evitarse, ocasionará la muerte o lesiones graves.



¡ADVERTENCIA!

Información de seguridad: Indica una situación peligrosa que, de no evitarse, puede ocasionar la muerte o lesiones graves.



¡ATENCIÓN!

Información de seguridad: Indica una situación peligrosa que, de no evitarse, puede ocasionar lesiones moderadas o leves.

**¡AVISO!**

Indica una situación peligrosa que, de no evitarse, puede provocar daños materiales.

**NOTA**

Información adicional para el manejo del producto.

2 Indicaciones de seguridad

2.1 Seguridad general



¡ADVERTENCIA! El incumplimiento de estas advertencias podría acarrear la muerte o lesiones graves.

Riesgo de electrocución

- Asegúrese de que el minibar sea instalado por un técnico cualificado de acuerdo con el manual de instalación de Dometic.
- No ponga el minibar en funcionamiento si presenta desperfectos visibles.
- Si el cable de conexión de este minibar está dañado, debe ser reemplazado por el fabricante, un técnico de mantenimiento o una persona con cualificación similar para evitar posibles peligros.
- Este minibar solo puede ser reparado por personal cualificado. Las reparaciones realizadas incorrectamente pueden generar situaciones de considerable peligro.
- Cuando ubique el minibar, asegúrese de que el cable de suministro eléctrico no se haya quedado atrapado o esté dañado.
- No coloque varias tomas o suministros de corriente portátiles detrás del aparato.
- Enchufe el aparato en tomas que garanticen una conexión correcta, sobre todo cuando sea necesario poner a tierra el aparato.

Peligro de incendio

- El refrigerante del circuito de refrigeración es muy inflamable. En caso de daños en el circuito de refrigeración:
 - Apague el minibar.
 - Evite el fuego abierto y las chispas.
 - Ventile bien la habitación.

- Tras la instalación, debe ser posible desconectar el minibar de la red eléctrica. Esto puede conseguirse haciendo que el enchufe quede accesible o montando un interruptor en el cableado fijo de acuerdo con las normas de cableado.
- Mantenga las aberturas de ventilación, tanto del minibar como de la estructura en la esté empotrado, libres de obstrucciones.
- No utilice dispositivos mecánicos u otros medios para acelerar el proceso de descongelación, salvo los recomendados por el fabricante.
- No abra nunca el circuito de refrigerante.
- No utilice dispositivos eléctricos en el interior del minibar a no ser que estén recomendados por el fabricante.
- No utilice ni almacene el minibar en espacios cerrados en los que no haya nada de aire o solo muy poco.

Peligro de explosión

- No guarde en el minibar sustancias explosivas, tales como aerosoles propelentes.

Riesgo para la salud

- Este minibar puede ser utilizado por menores a partir de 8 años y personas con capacidad física, sensorial o mental reducida, o con falta de experiencia y conocimientos, siempre que lo hagan bajo supervisión o hayan recibido instrucciones relativas al uso del mismo de manera segura y entendiendo los riesgos asociados.
- No deje que los niños jueguen con el minibar.
- Los menores no deberán limpiar ni realizar el mantenimiento de usuario sin la debida supervisión.
- Los menores de 3 a 8 años pueden introducir y extraer productos del minibar.



¡ATENCIÓN! El incumplimiento de estas precauciones podría acarrear lesiones moderadas o leves.

Riesgo de aplastamiento

- No introduzca la mano en el tope de la tapa.

Riesgo para la salud

- Los alimentos solo se pueden guardar en los envases originales o en recipientes adecuados.

**¡AVISO! Peligro de daños**

- Compare el valor de tensión indicado en la placa de características con el suministro de energía existente.
- Este minibar no es apto para almacenar sustancias corrosivas o que contengan disolventes.
- El aislamiento de la nevera contiene ciclopentano y requiere una gestión de residuos especial. Deposite el aparato de refrigeración en un centro de reciclaje adecuado al finalizar su vida útil.
- Mantenga siempre limpias las aberturas de desagüe.
- Traslade el minibar siempre en posición vertical.

2.2 Uso seguro del minibar

**¡PELIGRO! El incumplimiento de estas advertencias puede acarrear la muerte o lesiones graves.****Riesgo de electrocución**

- No toque los cables sin aislamiento directamente con las manos.

**¡ATENCIÓN! El incumplimiento de estas precauciones podría acarrear lesiones moderadas o leves.****Riesgo de electrocución**

- Antes de poner el minibar en funcionamiento, asegúrese de que el cable de alimentación y la clavija de enchufe estén secos.

Riesgo para la salud

- Asegúrese de guardar en el minibar solamente aquellos productos que puedan enfriarse a la temperatura seleccionada.
- Los alimentos solo se pueden almacenar con su envase original o en recipientes adecuados.
- Dejar la puerta abierta durante un período prolongado puede producir un incremento considerable de la temperatura en los compartimentos del minibar.
- Limpie periódicamente las superficies que puedan estar en contacto con alimentos y los sistemas de desagüe accesibles.

- Si el minibar se deja vacío durante un tiempo prolongado:
 - Apague el minibar.
 - Descongele el minibar.
 - Limpie y seque el minibar.
 - Deje la puerta abierta para evitar que se genere moho dentro del minibar.



¡AVISO!

Peligro de incendio

- Mantenga alejadas del minibar velas encendidas, lámparas y otros objetos con llama viva para que no puedan prender el minibar.

Peligro de daños

- No coloque el minibar cerca de llamas vivas ni de otras fuentes de calor (calefactores, radiación directa del sol, estufas de gas, etc.).
- No sumerja nunca el minibar en agua.
- Proteja el minibar y los cables contra el calor y la humedad.
- Asegúrese de que los alimentos no entren en contacto con las paredes del área de refrigeración.

3 Uso previsto

Este aparato de refrigeración (también llamado minibar) ha sido diseñado para refrigerar y almacenar bebidas y comidas en recipientes cerrados.

El minibar está diseñado para funcionar en cruceros o para ser utilizado en aplicaciones domésticas y similares, como:

- Cocinas de personal situadas en tiendas, oficinas y otras zonas de trabajo
- Casas rurales
- Hoteles, moteles y otros entornos de carácter residencial
- Ambientes de tipo “bed and breakfast”
- Catering y aplicaciones similares no comerciales

El minibar **no** es adecuado para ser instalado en caravanas o autocaravanas.

El minibar es adecuado para ser empotrado en un mueble o como aparato de refrigeración independiente. Consulte las instrucciones de instalación.

El minibar **no** es adecuado para:

- Guardar sustancias corrosivas o que contengan disolventes
- Almacenar alimentos frescos y medicamentos

- Congelar productos alimenticios

Este producto solo es apto para el uso previsto y la aplicación de acuerdo con estas instrucciones.

Este manual proporciona la información necesaria para la correcta instalación y/o funcionamiento del producto. Una instalación deficiente y/o un uso y mantenimiento inadecuados conllevan un rendimiento insatisfactorio y posibles fallos.

El fabricante no se hace responsable de ninguna lesión o daño en el producto ocasionados por:

- Un montaje o conexión incorrectos, incluido un exceso de tensión
- Un mantenimiento incorrecto o el uso de piezas de repuesto distintas de las originales proporcionadas por el fabricante
- Modificaciones realizadas en el producto sin el expreso consentimiento del fabricante
- Uso con una finalidad distinta de la descrita en las instrucciones

Dometic se reserva el derecho de cambiar la apariencia y las especificaciones del producto.

4 Descripción técnica

El aparato de refrigeración puede enfriar los productos almacenados en él y mantenerlos fríos. Se puede usar una rejilla separadora para separar alimentos (p.ej., botellas y confitería). El sistema de refrigeración es termoeléctrico con célula Peltier.

4.1 Elementos de mando del aparato de refrigeración

N.º en fig. 1, página 3	Descripción
1	Sensor de apertura de puerta
2	Luz interior
3	LED de control automático de puerta (opcional)
4	Pestillo

4.2 Control remoto

N.º en fig. 2 , página 3	Descripción
1	Botón rojo: restablece el monitor de control de la puerta
2	Botón negro: temperatura interior baja (dos niveles distintos posibles)
3	Botón amarillo: temperatura interior alta
4	Botón azul: temperatura interior media

5 Instalación



¡ATENCIÓN! Peligro para la salud

Para evitar peligros causados por la inestabilidad del aparato, este deberá fijarse tal como se indica en las instrucciones.



¡AVISO! Peligro de daños

No utilice alargos ni adaptadores sin toma de tierra (de dos clavijas).

El aparato de refrigeración está diseñado para su instalación independiente, pero puede integrarse si se cumplen las siguientes condiciones para garantizar un funcionamiento satisfactorio y la máxima eficiencia de refrigeración.

- El aparato de refrigeración debe nivelarse con cuidado para asegurar que su funcionamiento sea adecuado.
- Versión con puerta de cristal: Con una humedad del aire superior al 65 % y una temperatura ambiente de 25 °C, la humedad se condensará en la puerta.
- Debe poder accederse libremente a la salida de clavija.

5.1 Cambio de placa decorativa

- Cambie la placa decorativa como se indica (fig. **3**, página 4 a fig. **6**, página 4).

5.2 Cambio del lado de apertura de la puerta

- Para cambiar la puerta de lado, siga las indicaciones (fig. **7**, página 5 a fig. **10**, página 5).



NOTA

El LED para el control automático de la puerta (opcional) debe estar situado siempre en el lado opuesto de la bisagra.

Para los modelos con control automático de la puerta, siga los pasos siguientes:

1. Retire el LED (fig. **1** 3, página 3).
2. Tienda el cable en la guía.
3. Introduzca el LED en el pie del otro lado del aparato.

5.3 Fijación del aparato de refrigeración

Ventilación (fig. **11**, página 6)

- Debe proporcionarse ventilación tal y como se muestra en las alternativas A, B, C o D.
- Las rejillas de ventilación (**1**), en caso de utilizarse, deben tener abertura de al menos 200 cm² cada una.
- La distancia mínima entre la parte posterior del aparato de refrigeración y la estructura situada alrededor debe ser como se indica a continuación:

N.º en fig. 11 , página 6	Distancia mín.
2	20 mm
3	105 mm

- El canal de ventilación debe medir por lo menos 105 mm x la anchura del aparato de refrigeración.
- La unidad de refrigeración debe proyectar el aire hacia el canal de ventilación.
- El aire que pase por el canal de ventilación no debe ser precalentado por ninguna fuente calor.
- El canal de ventilación debe permanecer libre de obstáculos. Especialmente los multienchufes portátiles y los suministros de energía portátiles, que pueden calentarse, no deben colocarse en la parte posterior del aparato de refrigeración.

- ▶ Fije el aparato de refrigeración mediante sus patas de fijación como se indica (fig. **12**, página 7).

5.4 Montaje de la bisagra de arrastre (opcional)

Se puede montar una bisagra de arrastre para abrir la puerta del elemento de refrigeración junto con la del armario en el que está empotrado.

- ▶ Monte la bisagra de arrastre tal y como se indica (fig. **13**, página 7 a fig. **16**, página 8).

6 Manejo

6.1 Antes del primer uso

Antes del primer uso, limpie el minibar por dentro y por fuera con un paño húmedo por razones de higiene (véase también capítulo “Limpieza y cuidado” en la página 64).

6.2 Ahorro de energía

- Abra el minibar solamente el tiempo y las veces que sea necesario.
- No regule una temperatura innecesariamente baja en el interior.
- Para un consumo de energía óptimo, coloque los estantes y cajones en la misma posición que ocupan en el momento de la entrega.
- Compruebe periódicamente que la junta de la puerta encaja correctamente.
- Elimine regularmente el polvo y la suciedad del condensador.

6.3 Encendido



NOTA

En el interior del aparato de refrigeración se pueden formar unas gotas de agua si el aparato ha estado funcionando durante un periodo prolongado. Esto es normal puesto que la humedad del aire se condensa formando gotas de agua cuando la temperatura del aparato desciende. Esto no significa que el aparato de refrigeración esté averiado. Si es necesario, elimine la humedad con un paño seco.

1. Coloque la nevera sobre una base firme.
 2. Conecte el cable de conexión al suministro de corriente alterna.
- ✓ La nevera empieza refrigerando el interior.

6.4 Ajuste de la temperatura

Tenga en cuenta lo siguiente para no desperdiciar alimentos:

- Procure que las oscilaciones de temperatura sean mínimas. Abra el minibar solamente el tiempo y las veces que sea necesario. Almacene los productos alimenticios de manera que no impidan una buena circulación del aire.
- El minibar dispone de una función de regulación automática de la temperatura. Seleccione el promedio de los posibles valores de temperatura.
- Ajuste la temperatura a la cantidad y el tipo de productos alimenticios.

Los alimentos pueden absorber o desprender sabores y olores con facilidad. Almacene siempre los alimentos envueltos o cerrados en recipientes o botellas.

El aparato de refrigeración dispone de una función de regulación automática de la temperatura. El control remoto opcional (fig. **2**, página 3) le permite ajustar la temperatura a cuatro niveles distintos. El control remoto tiene tres botones para regular la temperatura.

- Botón negro (**2**): temperatura interior baja (dos niveles distintos posibles)
- Botón amarillo (**3**): temperatura interior alta
- Botón azul (**4**): temperatura interior media

Cada vez que se presionan los botones del control remoto, la temperatura de refrigeración cambia a uno de los valores posibles. Al presionar cualquier botón se enciende un LED rojo en el control remoto.

**NOTA**

El LED rojo se enciende cuando se envía una señal. Compruebe el estado de las baterías si el LED no se enciende.

1. Antes del primer uso, extraiga el aislamiento de plástico del compartimento de las baterías.
2. Apunte con la parte superior del control remoto hacia los LED de la iluminación interior (fig. **1** 2, página 3). Mantenga una distancia aproximada de 10 cm.
3. Presione el botón deseado:

Botón (fig. 2 página 3)	Temperatura interior	Señal LED
Botón negro (2)	Si se pulsa una vez: nivel bajo Si se pulsa dos veces: nivel más bajo (rendimiento máximo)	Los LED de la luz interior parpadean a ritmo rápido.
Botón amarillo (3)	Nivel alto (rendimiento mínimo)	Los LED de la luz interior parpadean a ritmo lento.
Botón azul (4)	Nivel medio	Los LED de la luz interior parpadean a ritmo medio.

6.5 Uso del minibar

**¡AVISO! Peligro de daños**

Coloque los objetos más pesados, por ejemplo, botellas o latas, únicamente en la parte de abajo del minibar.

6.6 Bloqueo de la puerta (opcional)

- Gire la llave un cuarto de vuelta a la izquierda para bloquear el aparato (fig. **17**, página 9).

6.7 Apagado

1. Si desea apagar el aparato, desenchufe el cable de conexión.
2. Limpie el interior para asegurarse de que esté lo suficientemente seco.

6.8 Uso del control automático de la puerta (opcional)

El control automático de la puerta (opcional) indica mediante un LED (fig. **1** 3, página 3) que la puerta se ha abierto.

Si el LED del monitor de apertura de la puerta está encendido:

1. Abra el aparato refrigerador.
2. Si es necesario, reponga productos en el aparato refrigerador.
3. Restablezca el monitor de control de la puerta con el control remoto (opcional).
 - Apunte con el control remoto hacia el sensor de apertura de la puerta (fig. **1** 1, página 3).
 - Pulse el botón rojo una vez (fig. **2** 1, página 3).
4. Cierre el aparato refrigerador.

6.9 Descongelación del aparato de refrigeración

El aparato de refrigeración dispone de una función de descongelación automática.

7 Limpieza y cuidado



¡ADVERTENCIA! Riesgo de electrocución

Desconecte siempre el aparato de la red de corriente antes de proceder a la limpieza o al mantenimiento de la misma.



¡AVISO! Peligro de daños

- Nunca limpie el aparato bajo un chorro de agua corriente ni inmerso en agua jabonosa.
- No emplee productos de limpieza corrosivos ni objetos duros, pues podrían dañar la nevera.

1. Utilice un paño suave, agua templada y un detergente suave para limpiar el interior del aparato.
2. Limpie el aparato con agua limpia y séquelo a fondo.
3. Una vez al año, elimine el polvo del conjunto situado en la parte trasera del aparato de refrigeración utilizando un cepillo o un paño suave.

8 Resolución de problemas

Problema	Posible causa	Propuesta de solución
La refrigeración es baja.	Hay demasiados productos en el interior.	Saque algún producto.
	La puerta no se ha cerrado correctamente.	Cierre la puerta.
	La circulación de aire interior es limitada.	Proporcione circulación de aire interior.
No hay refrigeración.	La clavija no está conectada correctamente en el enchufe.	Enchufe correctamente la clavija a la red de suministro.
	No hay tensión en el enchufe de suministro.	Restablezca la tensión.

9 Garantía

Se aplica el período de garantía estipulado por la ley. Si el producto está defectuoso, contacte con el punto de venta o con la sucursal del fabricante en su país ([visite dometic.com/dealer](http://visite.dometic.com/dealer)).

Para tramitar la reparación y la garantía, incluya los siguientes documentos cuando envíe el producto:

- Una copia de la factura con fecha de compra
- El motivo de la reclamación o una descripción de la avería

Tenga en cuenta que una reparación por medios propios o no profesionales puede tener consecuencias de seguridad y suponer la anulación de la garantía.

10 Gestión de residuos

Reciclaje de productos con pilas no sustituibles, baterías recargables o fuentes de luz



► Si el producto contiene pilas no sustituibles, baterías recargables o fuentes de luz, no es necesario que las quite antes de desecharlo.

► Cuando vaya a desechar definitivamente el producto, infórmese en el centro de reciclaje más cercano o en un comercio especializado sobre las normas pertinentes de gestión de residuos.



► El producto podrá desecharse gratuitamente.



Reciclaje de materiales de embalaje



► Deseche el material de embalaje en el contenedor de reciclaje correspondiente.

11 Datos técnicos

El circuito de refrigeración contiene una pequeña cantidad de refrigerante compatible con el medio ambiente, pero inflamable. No daña la capa de ozono ni aumenta el efecto invernadero. Toda fuga de refrigerante puede incendiarse.

	RH418NTE	RH418NTEG
Volumen total	20 l	
Tensión de conexión:	100 – 240 V~	
Consumo de potencia:	máx. 49 W	
Consumo de energía (a temperatura ambiente de +12 °C a +25 °C):	0,222 kWh/24 h	0,285 kWh/24 h
Rango de temperatura:	de 0 °C a +12 °C	
Clase climática:	N	
Temperatura ambiente prevista para el uso:	de +16 °C a +32 °C	
Refrigerante:	R1234yf	
Cantidad de refrigerante:	38 g	
Índice GWP (Global warming potential):	4	
Dimensiones (A x H x P):	422 x 435 x 350 mm	
Peso:	10 kg	13 kg
Homologación/certificado:	 	

Encontrará más información sobre el producto a través del código QR de la etiqueta energética que aparece en la sección de figuras o en el sitio eprel.ec.europa.eu.

Leia atentamente as presentes instruções e siga todas as instruções, orientações e avisos incluídos neste manual, de modo a garantir sempre a correta instalação, utilização e manutenção do produto. É OBRIGATÓRIO manter estas instruções junto com o produto.

Ao utilizar o produto, está a confirmar que leu atentamente todas as instruções, orientações e avisos, e que compreende e aceita cumprir os termos e condições estabelecidos no presente manual. Aceita utilizar este produto exclusivamente para o fim e a aplicação a que se destina e de acordo com as instruções, orientações e avisos estabelecidos neste manual, assim como de acordo com todas as leis e regulamentos aplicáveis. Caso não leia nem siga as instruções e os avisos aqui estabelecidos, poderá sofrer ferimentos pessoais ou causar ferimentos a terceiros e o produto ou outros materiais nas proximidades poderão ficar danificados. Este manual do produto, incluindo as instruções, orientações e avisos, bem como a documentação relacionada, podem estar sujeitos a alterações e atualizações. Para consultar as informações atualizadas do produto, visite dometic.com.

Índice

1	Explicação dos símbolos	68
2	Indicações de segurança	69
3	Utilização adequada	73
4	Descrição técnica	74
5	Montagem	75
6	Operação	77
7	Limpeza e manutenção	80
8	Resolução de falhas	81
9	Garantia	81
10	Eliminação	82
11	Dados técnicos	83

1 Explicação dos símbolos



PERIGO!

Indicação de segurança: indica uma situação perigosa que, se não for evitada, resultará em morte ou ferimentos graves.



AVISO!

Indicação de segurança: Indica uma situação perigosa que, se não for evitada, pode causar a morte ou ferimentos graves.



PRECAUÇÃO!

Indicação de segurança: Indica uma situação perigosa que, se não for evitada, pode causar ferimentos ligeiros ou moderados.

**NOTA!**

Indica uma situação que, se não for evitada, pode causar danos materiais.

**OBSERVAÇÃO**

Informações suplementares para a utilização do produto.

2 Indicações de segurança

2.1 Princípios básicos de segurança



AVISO! O incumprimento destes avisos poderá resultar em morte ou ferimentos graves.

Risco de eletrocussão

- Certifique-se de que o minibar foi instalado de acordo com as instruções de montagem por um técnico qualificado.
- Não coloque o minibar em funcionamento se este apresentar danos visíveis.
- Se o cabo de alimentação do minibar estiver danificado, terá de ser substituído pelo fabricante, pelo agente de assistência técnica ou por uma pessoa com qualificações equivalentes, a fim de evitar riscos de segurança.
- As reparações neste minibar só podem ser realizadas por técnicos qualificados. Reparações inadequadas podem originar perigos graves.
- Ao colocar o minibar, certifique-se de que o cabo de alimentação não fica preso nem é danificado.
- Não coloque tomadas múltiplas ou fontes de alimentação portáteis na parte de trás do aparelho.
- Ligue o aparelho a tomadas que garantam uma ligação correta, sobretudo se o aparelho tiver de ser ligado à terra.

Perigo de incêndio

- O agente de refrigeração no circuito de refrigeração é altamente inflamável.
Em caso de danos no circuito de refrigeração:
 - Desligue o minibar.
 - Evite chamas abertas e faíscas.
 - Ventile bem o espaço.
- Após a instalação, ainda deverá ser possível desligar o minibar da rede elétrica. Isto pode ser conseguido mantendo a tomada acessível ou incorporando um interruptor na cablagem fixa, de acordo com as normas de cablagem.
- Mantenha as aberturas de ventilação existentes no compartimento do minibar ou na estrutura encastrada sempre desobstruídas.
- Não utilize ferramentas mecânicas ou outros meios de acelerar o processo de descongelamento para além dos recomendados pelo fabricante.
- Não abra, em caso algum, o circuito de refrigeração.
- Não utilize aparelhos elétricos dentro do minibar, exceto se esses aparelhos forem recomendados pelo fabricante para o efeito.
- Não utilize nem armazene o minibar em espaços confinados com pouca ou nenhuma circulação de ar.

Perigo de explosão

- Não guarde no minibar substâncias com risco de explosão, tais como, por exemplo, latas de spray com gás carburante.

Risco para a saúde

- Este minibar pode ser utilizado por crianças a partir dos 8 anos e pessoas com capacidades físicas, sensoriais ou mentais reduzidas ou sem experiência e conhecimento se forem supervisionadas ou receberem instruções sobre a utilização do aparelho de forma segura e compreenderem os perigos implicados.
- As crianças não podem brincar com o minibar.
- A limpeza e a manutenção não podem ser efetuadas por crianças sem supervisão.
- Crianças com idades entre os 3 e os 8 anos podem encher e esvaziar o minibar.



PRECAUÇÃO! O incumprimento destas advertências poderá resultar em ferimentos ligeiros ou moderados.

Risco de esmagamento

- Não mexa no encosto da tampa com os dedos.

Risco para a saúde

- Os alimentos devem ser armazenados exclusivamente nas embalagens originais ou em recipientes adequados.



NOTA! Risco de danos

- Verifique se a indicação de tensão na placa de características corresponde à da fonte de alimentação existente.
- O minibar não se destina ao armazenamento de substâncias corrosivas ou que contenham solventes.
- O isolamento do aparelho de refrigeração contém ciclopentano inflamável e requer medidas de eliminação especiais. No fim da respetiva vida útil, encaminhe o aparelho de refrigeração para um centro de reciclagem adequado.
- Mantenha a abertura de escoamento sempre limpa.
- Transporte o minibar apenas na posição vertical.

2.2 Utilização segura do minibar



PERIGO! O incumprimento destes avisos resultará em morte ou ferimentos graves.

Risco de eletrocussão

- Nunca toque em cabos não blindados com as mãos desprotegidas.



PRECAUÇÃO! O incumprimento destas advertências poderá resultar em ferimentos ligeiros ou moderados.

Risco de eletrocussão

- Antes de colocar o minibar em funcionamento, certifique-se de que a conexão e a ficha estão secas.

Risco para a saúde

- Certifique-se de que coloca no minibar apenas produtos que possam ser refrigerados à temperatura selecionada.
- Os géneros alimentícios só podem ser guardados nas embalagens originais ou em recipientes adequados.

- Abrir a porta durante longos períodos pode provocar um aumento significativo da temperatura nos compartimentos do minibar.
- Limpe regularmente as superfícies que entram em contacto com géneros alimentícios e os sistemas de drenagem acessíveis.
- Se o minibar ficar vazio durante longos períodos:
 - Desligue o minibar.
 - Descongele o minibar.
 - Limpe e seque o minibar.
 - Deixe a porta aberta para impedir o crescimento de bolor no interior do minibar.

**NOTA!****Perigo de incêndio**

- Mantenha velas acesas, candeeiros e outros objetos com chamas sem proteção afastados do minibar para que não deflagre um incêndio no aparelho.

Risco de danos

- Não coloque o minibar na proximidade de chamas sem proteção ou outras fontes de calor (aquecimento, radiação solar intensa, fogões a gás, etc.).
- Nunca mergulhe o minibar em água.
- Proteja o minibar e o cabo do calor e da humidade.
- Assegure-se de que os alimentos não entram em contacto com as paredes do espaço de refrigeração.

3 Utilização adequada

O aparelho de refrigeração (também designado “minibar”) está concebido para refrigerar e armazenar bebidas e alimentos em recipientes fechados.

O minibar destina-se a ser utilizado em navios de cruzeiro ou em aplicações domésticas ou semelhantes, tais como:

- Na cozinha do pessoal em estabelecimentos comerciais, escritórios e outros ambientes de trabalho
- Quintas
- Hotéis, motéis e outros ambientes de tipo residencial
- Ambientes do tipo “bed and breakfast”
- Aplicações do ramo de catering e em aplicações semelhantes do comércio grossista

O minibar **não** está concebido para ser montado em caravanas ou autocaravanas.

O minibar é adequado para ser utilizado como aparelho encastrado ou como aparelho de refrigeração independente. Consulte as instruções de montagem.

O minibar **não** é adequado para:

- Armazenar substâncias corrosivas, cáusticas ou que contenham solventes
- Armazenar alimentos frescos e medicamentos
- Ultracongelar alimentos

Este produto destina-se exclusivamente à aplicação e aos fins pretendidos com base nestas instruções.

Este manual fornece informações necessárias para proceder a uma instalação e/ou a uma operação adequadas do produto. Uma instalação e/ou uma operação ou manutenção incorretas causarão um desempenho insatisfatório e uma possível avaria.

O fabricante não aceita qualquer responsabilidade por danos ou prejuízos no produto resultantes de:

- montagem ou ligação incorreta, incluindo sobretensões
- manutenção incorreta ou utilização de peças sobressalentes não originais fornecidas pelo fabricante
- alterações ao produto sem autorização expressa do fabricante
- utilização para outras finalidades que não as descritas no presente manual

A Dometic reserva-se o direito de alterar o design e as especificações do produto.

4 Descrição técnica

O aparelho de refrigeração consegue refrigerar alimentos e mantê-los frios. Uma grelha divisora pode ser utilizada para separar alimentos, por exemplo, garrafas e doces. O sistema de refrigeração é um sistema de refrigeração termoeletrónico com um elemento Peltier.

4.1 Elementos de comando no aparelho de refrigeração

N.º na fig. 1 , página 3	Descrição
1	Sensor de abertura da porta
2	Iluminação interior
3	LED de controlo de porta automático (opcional)
4	Bloqueio da porta

4.2 Controlo remoto

N.º na fig. 2 , página 3	Descrição
1	Botão vermelho: repõe o monitor de controlo da porta
2	Botão preto: temperatura interior baixa (dois níveis possíveis)
3	Botão amarelo: temperatura interior alta
4	Botão azul: temperatura interior média

5 Montagem



PRECAUÇÃO! Risco para a saúde

Para evitar riscos devido à instabilidade do aparelho, este tem de ser fixado de acordo com as instruções.



NOTA! Risco de danos

Não utilize cabos de extensão nem adaptadores sem ligação à terra (bifurcados).

O aparelho de refrigeração foi concebido para uma montagem independente, podendo, no entanto, ser embutido, se se verificarem as seguintes condições e estiverem asseguradas uma operação satisfatória e uma eficiência de refrigeração máxima.

- O aparelho de refrigeração tem de ser cuidadosamente nivelado para garantir um funcionamento adequado.
- Para a versão com porta de vidro: se a humidade do ar ambiente for superior a 65% a uma temperatura ambiente de 25 °C, irá formar-se água de condensação na porta.
- O acesso direto à tomada para a conexão à rede elétrica tem de estar garantido.

5.1 Substituir a placa decorativa

- ▶ Substitua a placa decorativa conforme ilustrado (fig. **3**, página 4 a fig. **6**, página 4).

5.2 Inverter a abertura da porta

- ▶ Inverta a abertura da porta conforme ilustrado (fig. **7**, página 5 a fig. **10**, página 5).



OBSERVAÇÃO

O LED do controlo de porta automático (opcional) tem de ser sempre colocado no lado oposto à dobradiça da porta.

Em versões com controlo de porta automático, proceda da seguinte forma:

1. Retire o LED (fig. **1** 3, página 3).
2. Coloque o cabo na guia.
3. Insira o LED no pé do aparelho do outro lado.

5.3 Fixar o aparelho de refrigeração

Ventilação (fig. 11, página 6)

- A ventilação tem de ser assegurada conforme ilustrado nas alternativas A, B, C ou D.
- Caso sejam usadas grelhas de ventilação (1), estas têm de possuir aberturas com pelo menos 200 cm².
- A distância mínima entre a parte traseira do aparelho de refrigeração e a estrutura envolvente deverá ser a seguinte:

N.º na fig. 11, página 6	Distância mín.
2	20 mm
3	105 mm

- A conduta de ventilação tem de medir pelo menos 105 mm x a largura do aparelho de refrigeração.
 - Toda a unidade de refrigeração tem de projetar-se para dentro da conduta de ventilação conforme ilustrado.
 - O ar que circula através da conduta de ventilação não pode ser pré-aquecido com nenhuma fonte de calor.
 - A conduta de ventilação tem de ser mantida desobstruída. Sobretudo tomadas múltiplas ou fontes de alimentação portáteis que possam ficar quentes não podem ser mantidas na parte traseira do aparelho de refrigeração.
- Fixe o aparelho de refrigeração com os pés de fixação tal como ilustrado (fig. 12, página 7).

5.4 Montar a dobradiça deslizante (opcional)

Pode montar uma dobradiça deslizante que permita abrir a porta do aparelho de refrigeração em simultâneo com a porta do armário embutido.

- Monte a dobradiça deslizante conforme ilustrado (fig. 13, página 7 a fig. 16, página 8).

6 Operação

6.1 Antes da primeira utilização

Antes da primeira utilização, limpe o interior e o exterior do minibar com um pano húmido, por razões de higiene (ver também capítulo “Limpeza e manutenção” na página 80).

6.2 Poupar energia

- Abra o minibar apenas as vezes que forem necessárias e apenas durante o tempo necessário.
- Evite temperaturas internas desnecessariamente baixas.
- Para um consumo de energia otimizado, posicione as prateleiras e as gavetas na posição original de entrega.
- Verifique regularmente se a vedação da porta ainda está corretamente encaixada.
- Limpe o pó e a sujidade do condensador regularmente.

6.3 Ligar



OBSERVAÇÃO

É possível que se formem algumas gotas de água no interior do aparelho de refrigeração durante um longo período. Isso é normal, pois a humidade presente no ar condensa-se e transforma-se em pingos de água quando a temperatura no aparelho de refrigeração desce. O aparelho de refrigeração não tem nenhum defeito. Se necessário, limpe-o com um pano seco.

1. Coloque o aparelho de refrigeração sobre uma base estável.
 2. Ligue o cabo de conexão à rede de corrente alternada.
- ✓ O aparelho de refrigeração começa a refrigerar o interior.

6.4 Definir a temperatura

Para evitar desperdício alimentar, observe o seguinte:

- Mantenha as oscilações de temperatura o mais reduzidas possível. Abra o mini-bar apenas as vezes que forem necessárias e apenas durante o tempo necessário. Armazene os alimentos de modo a que o ar continue a circular bem.
- O mini-bar está equipado com uma função de regulação da temperatura automática. Selecione a média dos valores de temperatura possíveis.
- Ajuste a temperatura à quantidade e ao tipo de alimentos.

Os alimentos podem absorver ou libertar facilmente cheiro ou sabor. Armazene os alimentos sempre bem cobertos ou em recipientes/garrafas fechadas.

O aparelho de refrigeração está equipado com uma função de regulação da temperatura automática. Com o controlo remoto opcional (fig. **2**, página 3), pode ajustar a temperatura em quatro níveis diferentes. Três botões no controlo remoto correspondem às definições de temperatura.

- Botão preto (**2**): temperatura interior baixa (dois níveis possíveis)
- Botão amarelo (**3**): temperatura interior alta
- Botão azul (**4**): temperatura interior média

A cada pressão dos botões no controlo remoto, a temperatura de refrigeração alterna entre os valores possíveis. Ao premir um botão, um LED vermelho no controlo remoto acende-se.



OBSERVAÇÃO

O LED vermelho acende-se assim que for enviado um sinal. Verifique as baterias se o LED não acender.

1. Retire o isolamento de plástico do suporte da bateria antes da primeira utilização.
2. Direcione o lado superior do controlo remoto para os LEDs da iluminação interior (fig. **1** 2, página 3). Mantenha uma distância de aprox. 10 cm.
3. Prima o botão pretendido:

Botão (fig. 2 página 3)	Temperatura interior	Sinal LED
Botão preto (2)	Pressionar uma vez: nível baixo Pressionar duas vezes: nível mínimo (potência máxima)	Os LEDs da iluminação interior piscam rapidamente.

Botão (fig. 2 página 3)	Temperatura interior	Sinal LED
Botão amarelo (3)	Nível elevado (potência mínima)	Os LEDs da iluminação interior piscam lentamente.
Botão azul (4)	Nível médio	Os LEDs da iluminação interior piscam a uma velocidade média.

6.5 Usar o minibar



NOTA! Risco de danos

Guarde os objetos pesados como, por exemplo, garrafas ou latas apenas na parte de baixo do minibar.

6.6 Trancar a porta (opcional)

- ▶ Rode a chave num quarto de volta para a esquerda para trancar o aparelho de refrigeração (fig. 17, página 9).

6.7 Desligação

1. Se pretender desligar o aparelho de refrigeração, retire o cabo de conexão da tomada.
2. Limpe o interior para garantir que este fica devidamente seco.

6.8 Usar o controlo de porta automático (opcional)

O controlo de porta automático (opcional) indica, através de um LED (fig. 1 3, página 3), que a porta foi aberta.

Se o LED no monitor de abertura da porta estiver aceso:

1. Abra o aparelho de refrigeração.
2. Se necessário, reabasteça o aparelho de refrigeração.
3. Reponha o monitor de controlo da porta com o controlo remoto (opcional).
 - Mantenha o controlo remoto na direção do sensor de abertura da porta (fig. 1 1, página 3).
 - Prima o botão vermelho uma vez (fig. 2 1, página 3).
4. Feche o aparelho de refrigeração.

6.9 Descongelar o aparelho de refrigeração

O aparelho de refrigeração está equipado com uma função de descongelamento automático.

7 Limpeza e manutenção



AVISO! Risco de eletrocussão

Desconecte sempre o aparelho da fonte de alimentação antes de proceder à limpeza e manutenção.



NOTA! Risco de danos

- Nunca limpe o aparelho de refrigeração sob água corrente ou em água de lavar a loiça.
- Não utilize produtos de limpeza abrasivos ou objetos duros para a limpeza, pois estes podem danificar o aparelho de refrigeração.

1. Use um pano macio, água morna e um detergente suave para limpar o interior do aparelho de refrigeração.
2. Limpe o aparelho de refrigeração com água limpa e seque-o bem.
3. Remova anualmente o pó do agregado de refrigeração na parte traseira do aparelho de refrigeração utilizando uma escova ou um pano macio.

8 Resolução de falhas

Problema	Possível causa	Sugestão de solução
A refrigeração é fraca.	Foram colocados demasiados géneros alimentícios no interior.	Retire alguns géneros alimentícios.
	A porta não está devidamente fechada.	Feche a porta.
	A circulação de ar interna está limitada.	Assegure a circulação de ar interna.
Não existe refrigeração.	A ficha não está devidamente inserida na tomada de alimentação.	Insira a ficha corretamente na tomada de alimentação.
	A tomada de alimentação não tem tensão.	Estabeleça a tensão.

9 Garantia

Aplica-se o prazo de garantia legal. Se o produto apresentar defeitos, contacte o seu revendedor ou a filial do fabricante no seu país (ver dometic.com/dealer).

Para fins de reparação e do processamento da garantia, envie também os seguintes documentos quando devolver o produto:

- Uma cópia da fatura com a data de aquisição
- Um motivo de reclamação ou uma descrição da falha

Tenha em atenção que as reparações feitas por si ou por não profissionais podem ter consequências sobre a segurança e anular a garantia.

10 Eliminação

Reciclagem de produtos com baterias, baterias recarregáveis ou fontes de luz não substituíveis



➤ Se o produto contiver quaisquer pilhas, baterias recarregáveis ou fontes de luz não substituíveis, não tem de as remover antes da eliminação.

➤ Para eliminar definitivamente o produto, informe-se junto do centro de reciclagem ou revendedor mais próximo sobre as disposições de eliminação aplicáveis.



➤ O produto pode ser eliminado gratuitamente.



Reciclagem do material de embalagem



➤ Sempre que possível, coloque o material de embalagem no respetivo contentor de reciclagem.

11 Dados técnicos

O circuito de refrigeração contém uma pequena quantidade de um refrigerante ecológico mas inflamável. Este produto não é prejudicial para a camada de ozono e não aumenta o efeito de estufa. Qualquer refrigerante vazado pode incendiar-se.

	RH418NTE	RH418NTEG
Volume total	20 l	
Tensão de conexão:	100 – 240 V~	
Consumo de corrente:	máx. 49 W	
Consumo de energia (temperatura ambiente +12 °C a +25 °C):	0,222 kWh/24 h	0,285 kWh/24 h
Intervalo de temperatura:	0 °C a +12 °C	
Classe climática:	N	
Temperatura ambiente com a utilização prevista:	+16 °C a +32 °C	
Agente de refrigeração:	R1234yf	
Quantidade de agente de refrigeração:	38 g	
Potencial de aquecimento global (PAG):	4	
Dimensões (L x A x P):	422 x 435 x máx 350 mm	
Peso:	10 kg	13 kg
Verificação/certificação:	 	

Consulte mais informações sobre o produto através do código QR existente no rótulo energético das imagens ou em eprel.ec.europa.eu.



dometic.com

**YOUR LOCAL
DEALER**

dometic.com/dealer

**YOUR LOCAL
SUPPORT**

dometic.com/contact

**YOUR LOCAL
SALES OFFICE**

dometic.com/sales-offices
