

# ↗ DOMETIC REFRIGERATION CLASSIC



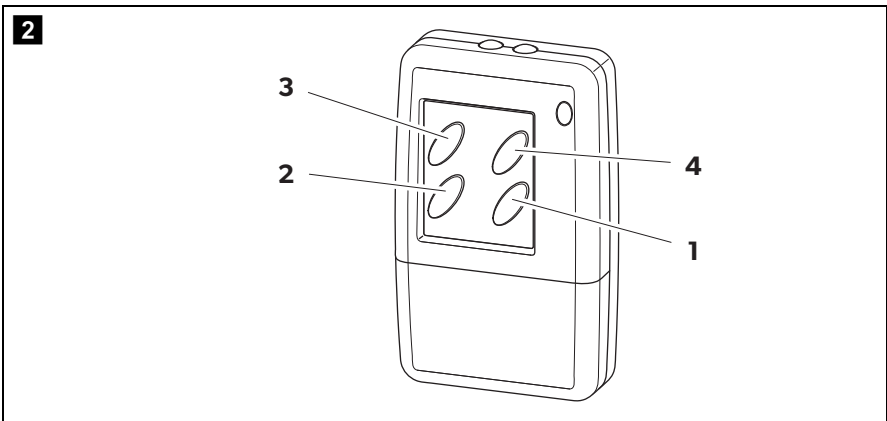
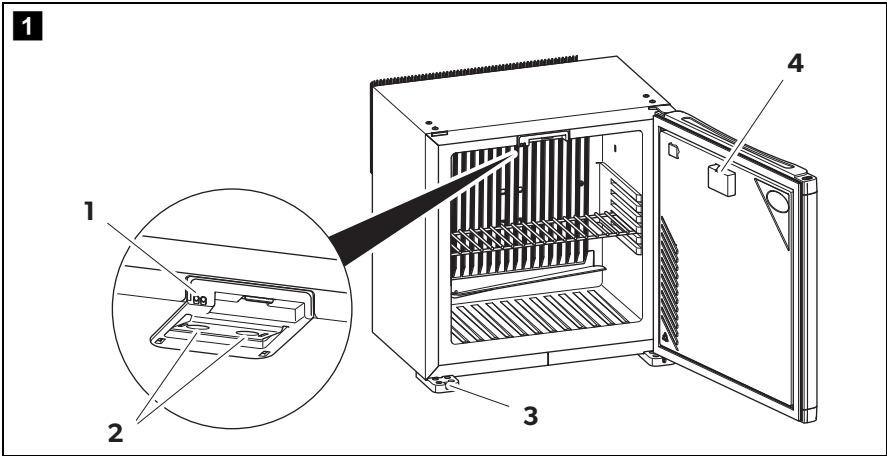
RH418NTE, RH418NTEG

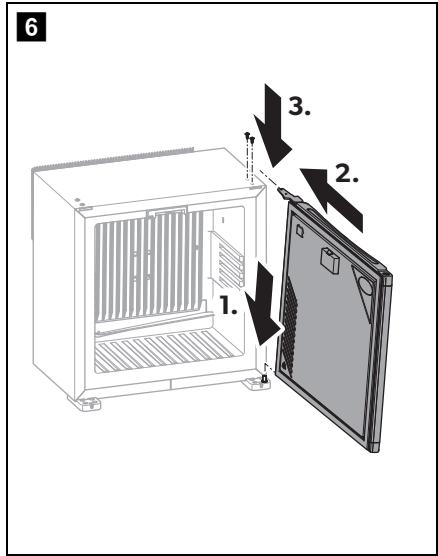
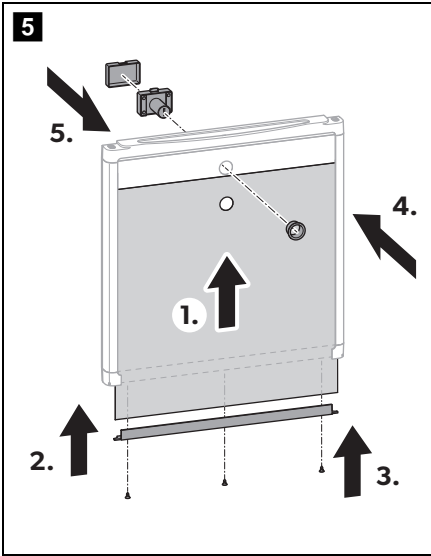
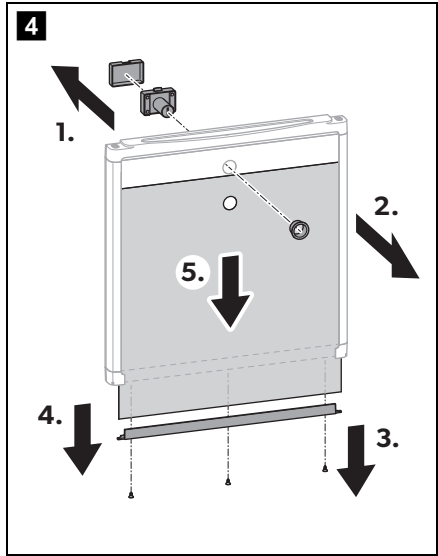
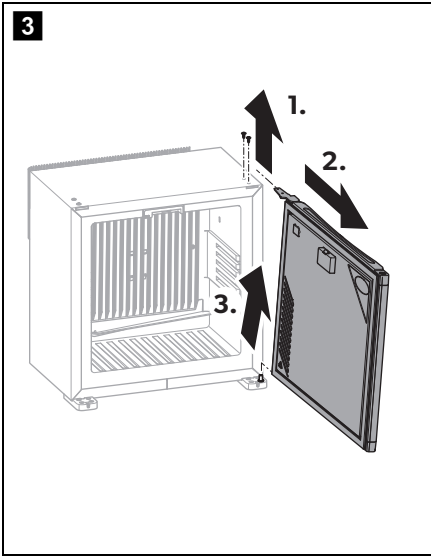
EN

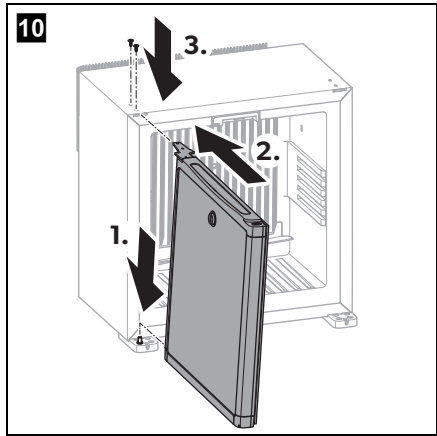
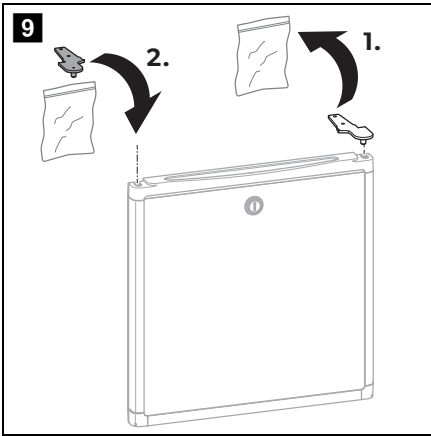
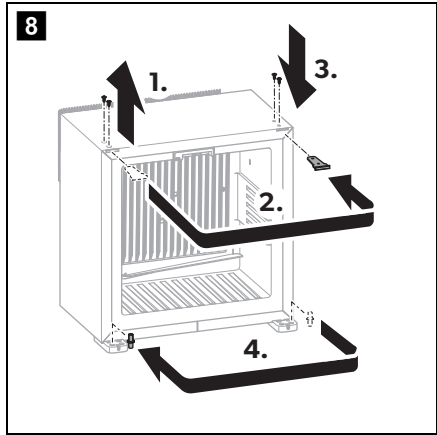
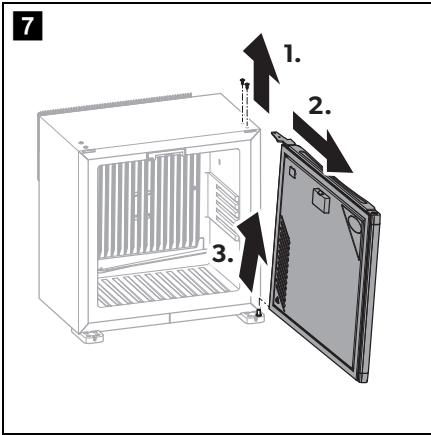
## Minibar

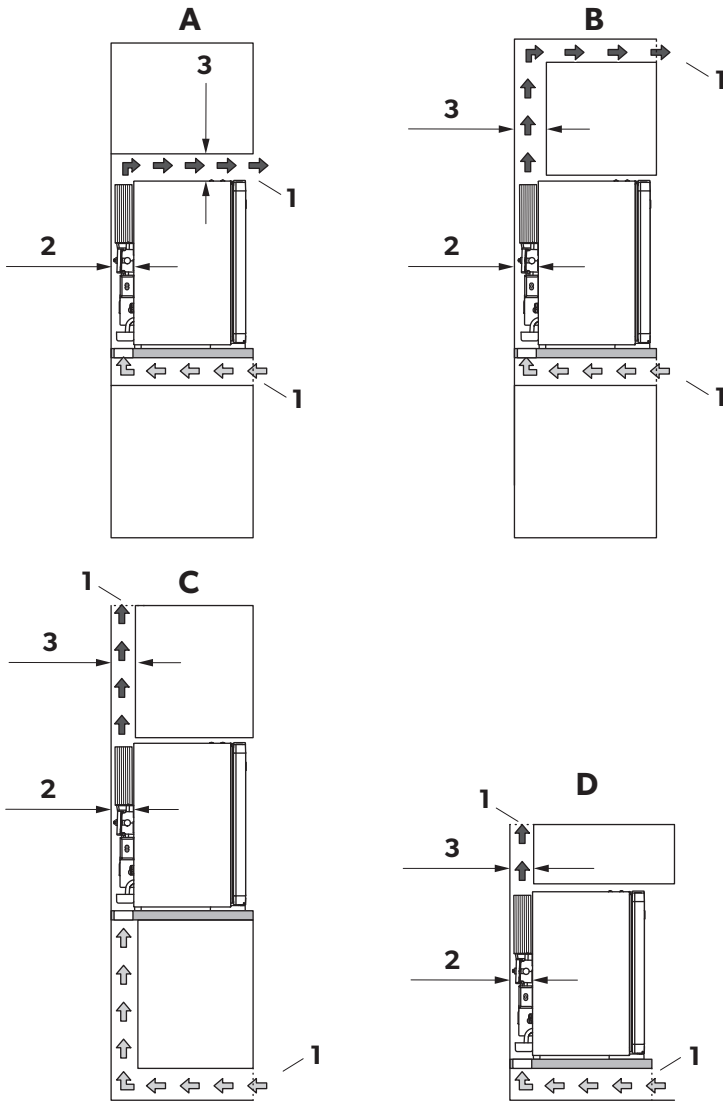
Installation and Operating Manual . . . . . 10

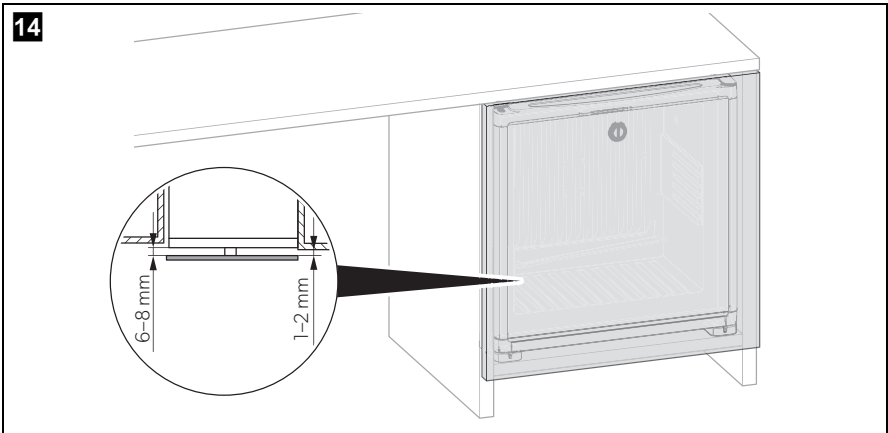
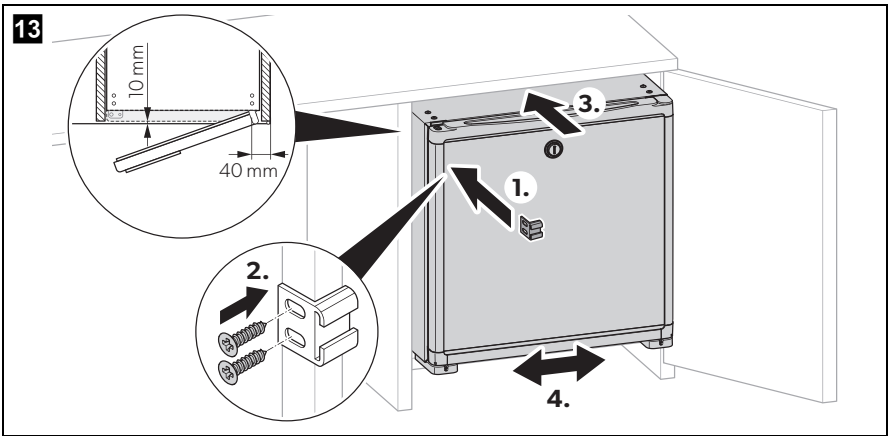
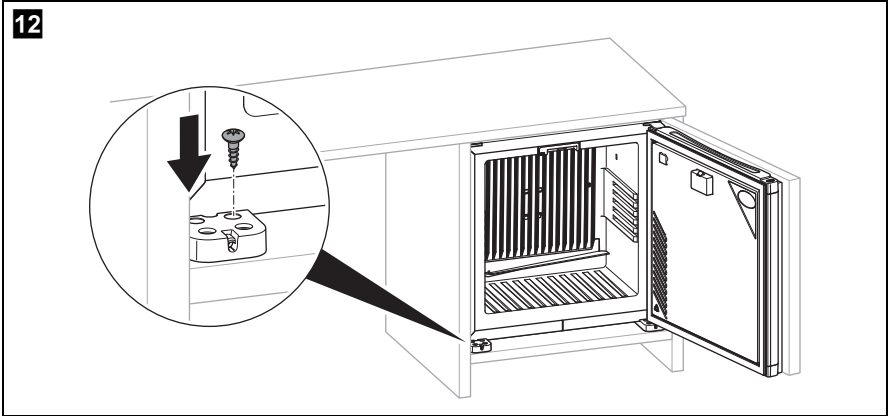
© 2023 Dometic Group. The visual appearance of the contents of this manual is protected by copyright and design law. The underlying technical design and the products contained herein may be protected by design, patent or be patent pending. The trademarks mentioned in this manual belong to Dometic Sweden AB. All rights are reserved.

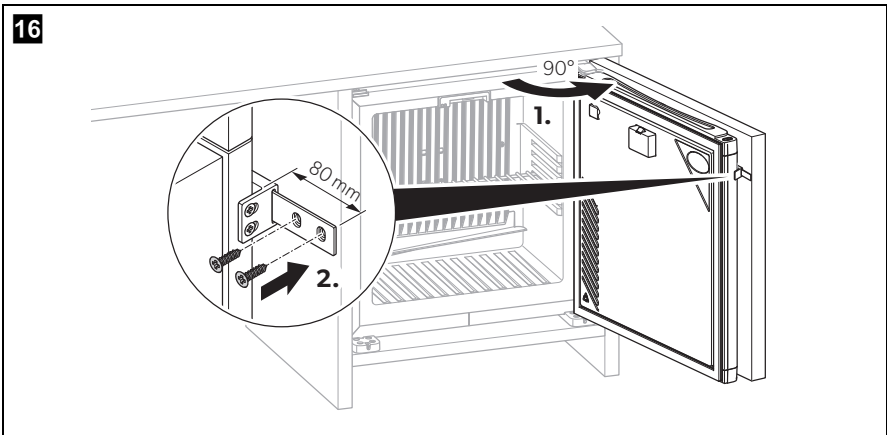
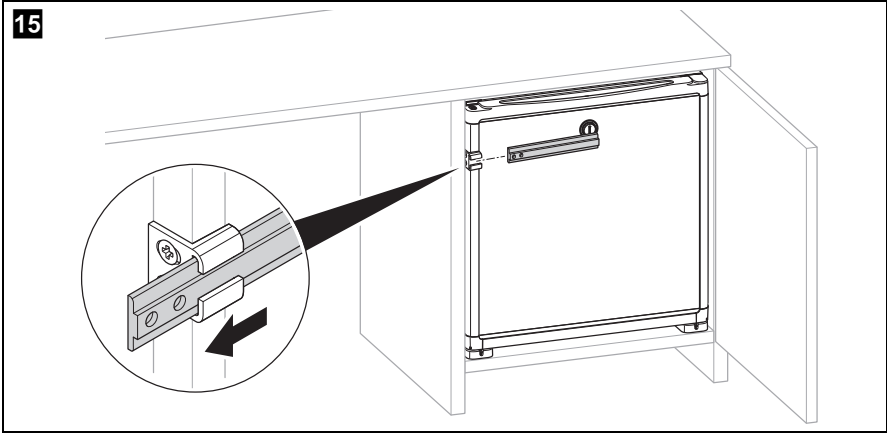




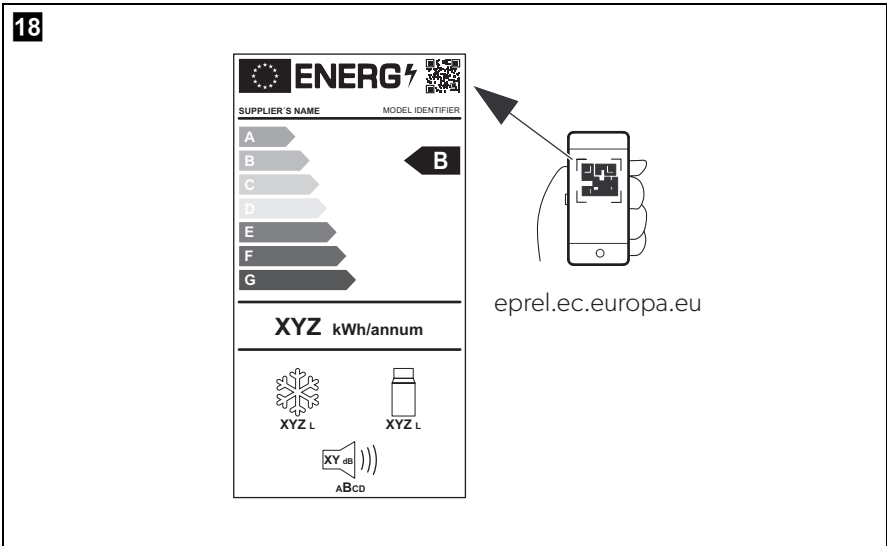
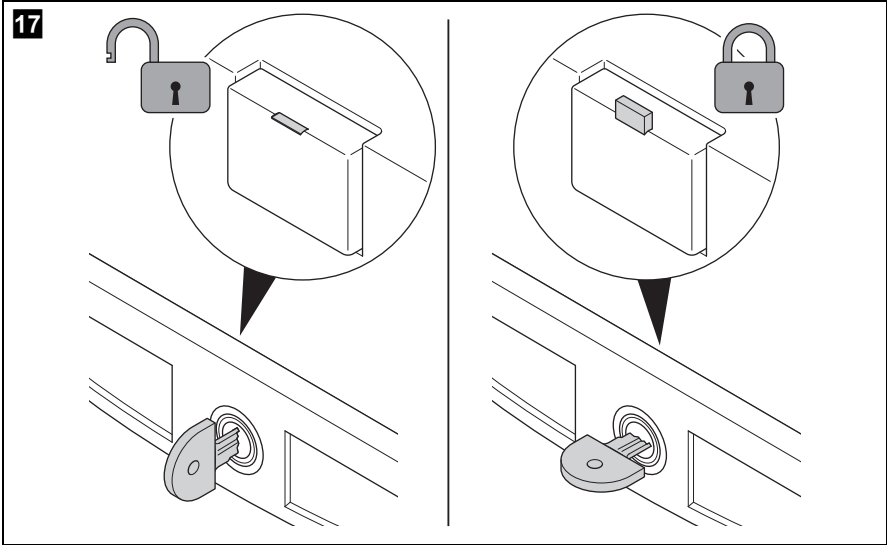


**11**









Please read these instructions carefully and follow all instructions, guidelines, and warnings included in this product manual in order to ensure that you install, use, and maintain the product properly at all times. These instructions **MUST** stay with this product.

By using the product, you hereby confirm that you have read all instructions, guidelines, and warnings carefully and that you understand and agree to abide by the terms and conditions as set forth herein. You agree to use this product only for the intended purpose and application and in accordance with the instructions, guidelines, and warnings as set forth in this product manual as well as in accordance with all applicable laws and regulations. A failure to read and follow the instructions and warnings set forth herein may result in an injury to yourself and others, damage to your product or damage to other property in the vicinity. This product manual, including the instructions, guidelines, and warnings, and related documentation, may be subject to changes and updates. For up-to-date product information, please visit [dometic.com](http://dometic.com).

## Contents

1	Explanation of symbols . . . . .	10
2	Safety instructions . . . . .	11
3	Intended use . . . . .	14
4	Technical description . . . . .	15
5	Installation . . . . .	16
6	Operation . . . . .	17
7	Cleaning and maintenance . . . . .	20
8	Troubleshooting . . . . .	21
9	Warranty . . . . .	21
10	Disposal . . . . .	22
11	Technical data . . . . .	23

## 1 Explanation of symbols



### **DANGER!**

**Safety instruction:** Indicates a hazardous situation that, if not avoided, will result in death or serious injury.



### **WARNING!**

**Safety instruction:** Indicates a hazardous situation that, if not avoided, could result in death or serious injury.



### **CAUTION!**

**Safety instruction:** Indicates a hazardous situation that, if not avoided, could result in minor or moderate injury.

**NOTICE!**

Indicates a situation that, if not avoided, can result in property damage.

**NOTE**

Supplementary information for operating the product.

## 2 Safety instructions

### 2.1 General safety



**WARNING! Failure to obey these warnings could result in death or serious injury.**

**Electrocution hazard**

- Ensure that the minibar has been installed by a qualified technician in accordance with the Dometic installation manual.
- Do not operate the minibar if it is visibly damaged.
- If this minibars power cable is damaged, it must be replaced by the manufacturer, service agent or a similarly qualified person in order to prevent safety hazards.
- This minibar may only be repaired by qualified personnel. Inadequate repairs may cause serious hazards.
- When positioning the minibar, ensure the supply cord is not trapped or damaged.
- Do not locate multiple portable socket-outlets or portable power supplies at the rear of the appliance.
- Plug the device to sockets that ensure proper connection especially when the device needs to be earthed.

**Fire hazard**

- The refrigerant in the refrigerant circuit is highly flammable. In the event of any damage to the refrigerant circuit:
  - Switch off the minibar.
  - Avoid naked flames and sparks.
  - Air the room well.
- After installation, it must still be possible to disconnect the minibar from the supply mains. This may be achieved by having the plug accessible or by incorporating a switch in the fixed wiring according to the wiring rules.

- Keep ventilation openings, in the minibar enclosure or in the built-in structure, clear of obstruction.
- Do not use mechanical devices or other means to accelerate the defrosting process, other than those recommended by the manufacturer.
- Do not open the refrigerant circuit under any circumstances.
- Do not use electrical devices inside the minibar unless they are recommended by the manufacturer for that purpose.
- Do not use or store the minibar in confined spaces with none or minimal air circulation.

### **Explosion hazard**

- Do not store any explosive substances, such as spray cans with propellants, in the minibar.

### **Health hazard**

- This minibar can be used by children aged from 8 years and above and persons with reduced physical, sensory or mental capabilities or lack of experience and knowledge if they have been given supervision or instruction concerning use of the minibar in a safe way and understand the hazards involved.
- Children shall not play with the minibar.
- Cleaning and user maintenance shall not be made by children without supervision.
- Children aged from 3 to 8 years are allowed to load and unload the minibar.



**CAUTION! Failure to obey these cautions could result in minor or moderate injury.**

### **Risk of crushing**

- Do not put your fingers into the hinge.

### **Health hazard**

- Foodstuff may only be stored in its original packaging or in suitable containers.



### **NOTICE! Damage hazard**

- Check that the voltage specification on the type plate is the same as that of the power supply.
- The minibar is not suitable for storing substances which are caustic or contain solvents.

- The insulation of the cooling device contains flammable cyclopentane and requires special disposal procedures. Deliver the cooling device at the end of its life-cycle to an appropriate recycling center.
- Keep the drainage outlet clean at all times.
- Only carry the minibar upright.

## 2.2 Operating the minibar safely



**DANGER! Failure to obey these warnings will result in death or serious injury.**

### **Electrocution hazard**

- Do not touch exposed cables with your bare hands.



**CAUTION! Failure to obey these cautions could result in minor or moderate injury.**

### **Electrocution hazard**

- Before starting the minibar, ensure that the power supply line and the plug are dry.

### **Health hazard**

- Ensure that you only put items in the minibar which may be chilled at the selected temperature.
- Food may only be stored in its original packaging or in suitable containers.
- Opening the door for long periods can cause significant increase of the temperature in the compartments of the minibar.
- Clean regularly surfaces that can come in contact with food and accessible drainage systems.
- If the minibar is left empty for long periods:
  - Switch off the minibar.
  - Defrost the minibar.
  - Clean and dry the minibar.
  - Leave the door open to prevent mold developing within the minibar.



### **NOTICE!**

### **Fire hazard**

- Keep burning candles, lamps and other items with naked flames away from the minibar so that they do not set the minibar on fire.

**Damage hazard**

- Do not place the minibar near naked flames or other heat sources (heaters, direct sunlight, gas ovens etc.).
- Never immerse the minibar in water.
- Protect the minibar and the cable against heat and moisture.
- Ensure that foodstuffs do not touch the walls of the cooling area.

### 3 Intended use

The refrigeration appliance (also referred to as minibar) is intended for cooling and storing beverages and food in closed containers.

The minibar is designed for operation on cruise liners or to be used in household and similar applications such as:

- Staff kitchens in stores, offices and other working environments
- Farmhouses
- Hotels, motels and other residential type environments
- Bed and breakfast type environments
- Catering and similar non-retail applications

The minibar is **not** designed for installation in caravans or motor homes.

The minibar is suitable either as a built-in appliance or as a freestanding refrigeration appliance. Refer to the installation instructions.

The minibar is **not** suitable for

- Storage of corrosive, caustic or solvent-containing substances
- Storage of fresh foods and medicine
- Deep-freezing of foodstuff

This product is only suitable for the intended purpose and application in accordance with these instructions.

This manual provides information that is necessary for proper installation and/or operation of the product. Poor installation and/or improper operating or maintenance will result in unsatisfactory performance and a possible failure.

The manufacturer accepts no liability for any injury or damage to the product resulting from:

- Incorrect assembly or connection, including excess voltage

- Incorrect maintenance or use of spare parts other than original spare parts provided by the manufacturer
- Alterations to the product without express permission from the manufacturer
- Use for purposes other than those described in this manual

Dometic reserves the right to change product appearance and product specifications.

## 4 Technical description

The cooling device can cool products and keep them cool. A grid divider can be used to separate foodstuffs, e.g. bottles and sweets. The cooling system is a thermo-electric cooling with a Peltier element.

### 4.1 Control elements on the cooling device

No. in fig. <b>1</b> , page 3	Description
1	Door opening sensor
2	Interior light
3	Automatic door control LED (optional)
4	Door lock

### 4.2 Remote control

No. in fig. <b>2</b> , page 3	Description
1	Red button: Resets the door control monitor
2	Black button: Low inside temperature (two different levels possible)
3	Yellow button: High inside temperature
4	Blue button: Medium inside temperature

## 5 Installation



### CAUTION! Health hazard

To avoid a hazard due to instability of the device, it must be fixed in accordance with the instructions.



### NOTICE! Damage hazard

Do not use extension cords or ungrounded (two prong) adapters.

The cooling device is designed for free-standing installation, but can be built-in if the following conditions are complied with to ensure satisfactory operation and maximum cooling efficiency.

- The cooling device must be leveled carefully to ensure proper function.
- For the glass door version: When the ambient humidity is above 65 % at 25 °C ambient temperature, moisture will condense on the door.
- The socket outlet for the mains connection must be freely accessible.

### 5.1 Changing the decorative plate

- ▶ Change the decorative plate as shown (fig. **3**, page 4 to fig. **6**, page 4).

### 5.2 Reversing the door

- ▶ Reverse the door as shown (fig. **7**, page 5 to fig. **10**, page 5).



### NOTE

The LED of the automatic door control (optional) must always be located opposite the door hinge.

For versions with automatic door control, proceed as follows:

1. Pull out the LED (fig. **1** 3, page 3).
2. Lay the cable in the guide.
3. Insert the LED on the device's foot on the other side.

### 5.3 Fixing the cooling device

#### Ventilation (fig. **11**, page 6)

- Ventilation must be provided as shown in alternatives A, B, C or D.
- Ventilation grills (**1**), if used, must have openings of at least 200 cm<sup>2</sup> each.



- The minimum clearance between the cooling device's back and the surrounding structure should be as follows:

No. in fig. <b>11</b> , page 6	Min. distance
2	20 mm
3	105 mm

- The ventilation duct must at least measure 105 mm x the width of the cooling device.
  - The entire cooling unit must project into the ventilation duct as shown.
  - Air passing through the ventilation duct must not be preheated by any source of heat.
  - The ventilation duct must be kept free from any obstacles. Especially portable multi socket outlets or portable power supplies, which can get warm, must not be kept at the rear of the cooling device.
- Fix the cooling device through its fixing feet as shown (fig. **12**, page 7).

## 5.4 Mounting the sliding hinge (optional)

You can mount a sliding hinge that allows the cooling device door to be opened at the same time as the door of the built-in cabinet.

- Mount the sliding hinge as shown (fig. **13**, page 7 to fig. **16**, page 8).

# 6 Operation

## 6.1 Before first use

Before first use, clean the minibar inside and outside with a damp cloth for hygienic reasons (see also chapter "Cleaning and maintenance" on page 20).

## 6.2 Saving energy

- Only open the minibar as often and for as long as necessary.
- Avoid unnecessarily low temperature settings.
- For optimal energy consumption, position the shelves and drawers according to their position on delivery.

- On a regularly basis, make sure the door seal still fits properly.
- Clean dust and dirt from the condenser at regular intervals.

### 6.3 Switching on



#### NOTE

A few water drops may form inside the cooling device if it has been cooling for a lengthy period. This is normal because the moisture in the air condenses to water when the temperature in the cooling device falls. The cooling device is not defective. Wipe it out with a dry cloth if necessary.

1. Place the cooling device on a firm base.
  2. Connect the connection cable to the AC mains supply.
- ✓ The cooling device starts cooling the interior.

### 6.4 Setting the temperature

To avoid food waste, note the following:

- Keep temperature fluctuation as low as possible. Only open the minibar as often and for as long as necessary. Store the foodstuff in such a way that the air can still circulate well.
- The minibar is equipped with an automatic temperature regulation function. Select the average of the possible temperature values.
- Adjust the temperature to the quantity and type of the foodstuff.

Foodstuff can easily absorb or release odor or taste. Always store foodstuff covered or in closed containers/bottles.

The cooling device is equipped with an automatic temperature regulation function. With the optional remote control (fig. **2**, page 3) you can adjust the temperature to four different levels. Three buttons on the remote control the temperature settings.

- Black button (**2**): Low inside temperature (two different levels possible)
- Yellow button (**3**): High inside temperature
- Blue button (**4**): Medium inside temperature

With each press of the buttons on the remote control, the cooling temperature switches between the possible values. By pressing a button, a red LED illuminates on the remote control.

**NOTE**

The red LED illuminates as soon as a signal has been sent out. Check the batteries if the LED does not illuminate.

1. Remove the plastic insulation from the battery holder before initial use.
2. Align the upper side of the remote control to the LEDs of the interior light (fig. **1** 2, page 3). Maintain a distance of approx. 10 cm.
3. Press the desired button:

Button (fig. <b>2</b> page 3)	Inside temperature	LED signal
Black button ( <b>2</b> )	Press once: Low level Press twice: Lowest level (maximum performance)	The LEDs of the interior light flash at high speed.
Yellow button ( <b>3</b> )	High level (minimum performance)	The LEDs of the interior light flash at low speed.
Blue button ( <b>4</b> )	Medium level	The LEDs of the interior light flash at medium speed.

## 6.5 Using the minibar

**NOTICE! Damage hazard**

Only store heavy objects such as bottles or cans on the bottom of the minibar.

## 6.6 Locking the door (optional)

- ▶ Turn the key a quarter turn to the left to lock the cooling device (fig. **17**, page 9).

## 6.7 Switching off

1. If you wish to switch the cooling device off, pull out the connection cable.
2. Clean the interior to make sure it is dry enough.

## 6.8 Using the automatic door control (optional)

The automatic door control (optional) displays via an LED (fig. **1** 3, page 3) that the door has been opened.

If the door opening monitor LED is lit:

1. Open the cooling device.
2. If necessary, refill the cooling device.
3. Reset the door control monitor with the remote control (optional).
  - Hold the remote control towards the door opening sensor (fig. **1** 1, page 3).
  - Press the red button once (fig. **2** 1, page 3).
4. Close the cooling device.

## 6.9 Defrosting the cooling device

The cooling device is equipped with an auto-defrost function.

# 7 Cleaning and maintenance



### **WARNING! Electrocutation hazard**

Always disconnect the device from the power supply before you clean and service it.



### **NOTICE! Damage hazard**

- Never clean the cooling device under running water or in dish water.
- Do not use abrasive cleaning agents or hard objects during cleaning as these can damage the cooling device.

1. Use a soft cloth, lukewarm water and a mild detergent to clean the inside of the cooling device.
2. Wash out the cooling device using clean water and dry thoroughly.
3. At annual intervals, remove dust from the cooling aggregate at the back of the cooling device using a brush or a soft cloth.

## 8 Troubleshooting

Problem	Possible cause	Suggested remedy
The cooling is poor.	Too much food was put in.	Remove some food.
	Door is not closed properly.	Close the door.
	Internal air circulation is restricted.	Provide internal air circulation.
There is no cooling.	Plug is not properly connected to the mains socket.	Put the plug into the mains socket properly.
	There is no voltage in the mains socket.	Establish voltage.

## 9 Warranty

The statutory warranty period applies. If the product is defective, please contact your retailer or the manufacturer's branch in your country (see [dometic.com/dealer](http://dometic.com/dealer)).

For repair and warranty processing, please include the following documents when you send in the product:

- A copy of the receipt with purchasing date
- A reason for the claim or description of the fault

Note that self-repair or non-professional repair can have safety consequences and might void the warranty.

## 10 Disposal

### Recycling products with non-replaceable batteries, rechargeable batteries or light sources



➤ If the product contains any non-replaceable batteries, rechargeable batteries or light sources, you don't have to remove them before disposal.



➤ If you wish to finally dispose of the product, ask your local recycling center or specialist dealer for details about how to do this in accordance with the applicable disposal regulations.



➤ The product can be disposed free of charge.


### Recycling packaging material



➤ Place the packaging material in the appropriate recycling waste bins whenever possible.

## 11 Technical data

The refrigerant circuit contains a small quantity of an environmentally friendly but flammable refrigerant. It does not damage the ozone layer and does not increase the greenhouse effect. Any leaking refrigerant may ignite.

	<b>RH418NTE</b>	<b>RH418NTEG</b>
Total volume	20 l	
Connection voltage:	100 – 240 V~	
Power consumption:	max. 49 W	
Energy consumption (ambient temperature +12 °C to +25 °C):	0.222 kWh/24 h	0.285 kWh/24 h
Temperature range:	0 °C to +12 °C	
Climate class:	N	
Intended ambient temperature use:	+16 °C to +32 °C	
Refrigerant:	R1234yf	
Refrigerant quantity:	38 g	
Global warming potential (GWP):	4	
Dimensions (W x H x D):	422 x 435 x 350 mm	
Weight:	10 kg	13 kg
Testing/certification:		

Further product information can be accessed via QR code on the energy label in the figures or via [eprel.ec.europa.eu](http://eprel.ec.europa.eu).



**dometic.com**

---

**YOUR LOCAL  
DEALER**

**[dometic.com/dealer](https://dometic.com/dealer)**

**YOUR LOCAL  
SUPPORT**

**[dometic.com/contact](https://dometic.com/contact)**

**YOUR LOCAL  
SALES OFFICE**

**[dometic.com/sales-offices](https://dometic.com/sales-offices)**

---