

RM2410 RM2510**FOR YOUR SAFETY**

If you smell gas:

1. Open windows.
2. Don't touch electrical switches.
3. Extinguish any open flame.
4. Immediately call your gas supplier.

PAR MESURE DE SÉCURITÉ

Si on détecte une odeur de gaz :

1. Ouvrir les fenêtres.
2. Ne pas toucher les commutateurs électriques.
3. Éteindre toute flamme nue.
4. Contacter immédiatement le fournisseur de gaz.

FOR YOUR SAFETY

Do not store or use gasoline or other flammable vapors and liquids in the vicinity of this or any other appliance.

PAR MESURE DE SÉCURITÉ

Ne pas entreposer ou utiliser de l'essence ou autre vapeur ou liquide inflammable au voisinage de cet appareil ou de tout autre appareil ménager.

⚠ WARNING

Improper installation, adjustment, alteration, service or maintenance can cause injury or property damage. Refer to this manual. For assistance or additional information consult a qualified installer, service agency or the gas supplier.

⚠ AVERTISSEMENT

Une installation, un réglage, une modification, un dépannage ou un entretien effectués incorrectement, peuvent provoquer des blessures ou des dommages matériels. Se reporter à ce manuel. Pour obtenir une aide ou des informations complémentaires, consulter un installateur qualifié, une entreprise de dépannage ou le fournisseur de gaz.

⚠ WARNING

If the refrigerator stops cooling - or - if it emits an ammonia smell, immediately turn the refrigerator off and contact a Service Center.

⚠ AVERTISSEMENT

Si le réfrigérateur cesse de refroidir - ou - s'il s'en dégage une odeur d'ammoniac, arrêter immédiatement le réfrigérateur et contacter un centre de service après-vente.

REVISION A

Form No. 3313909.016 09/16
(French 3314071.014_A)
©2016 Dometic Corporation
LaGrange, IN 46761

USA

Dometic Corporation
Service Office
1120 North Main Street
Elkhart, IN 46514

CANADA

Dometic Corporation
48 Zatonski, Unit 3
Brantford, ON N3T 5L8
CANADA

**SERVICE CENTER &
DEALER LOCATIONS**

Please Visit:
www.eDometic.com

INTRODUCTION

Thank you for purchasing a new Dometic refrigerator. This product is a recreational vehicle refrigerator intended for the storage of fresh and frozen foods, as well as making ice. Please read and be aware of possible safety hazards identified in this manual, and become familiar with the alert symbols on the refrigerator. Read this manual carefully so that you know how to operate the refrigerator safely and correctly. Keep this manual with the refrigerator for future reference.

CONTENTS

REFRIGERATOR OVERVIEW	4
INSTRUCTIONS FOR USE.....	6
STORAGE COMPARTMENTS	7
PRODUCT CARE	8
MAINTENANCE & SERVICE	9
REFRIGERATOR REMOVAL	10
TROUBLESHOOTING	11
APPENDIX A - SPARE PARTS	12
APPENDIX B - REARVIEW EQUIPMENT	13
APPENDIX C - WIRING DIAGRAM	14
APPENDIX D - CONSUMER SUPPORT	15
APPENDIX E - DOMETIC WARRANTY	16
APPENDIX F - MAINTENANCE SCHEDULE.....	17
NOTES	18

SYMBOLS

The following symbols are used throughout this manual:



This is the safety alert symbol. It is used to alert you to personal injury hazards. Obey all safety messages that follow this symbol to avoid possible injury or death.



WARNING indicates a hazardous situation which, if not avoided, could result in death or serious injury.



CAUTION, used with the safety alert symbol, indicates a hazardous situation which, if not avoided, could result in minor or moderate injury.



NOTICE is used to address practices not related to personal injury.

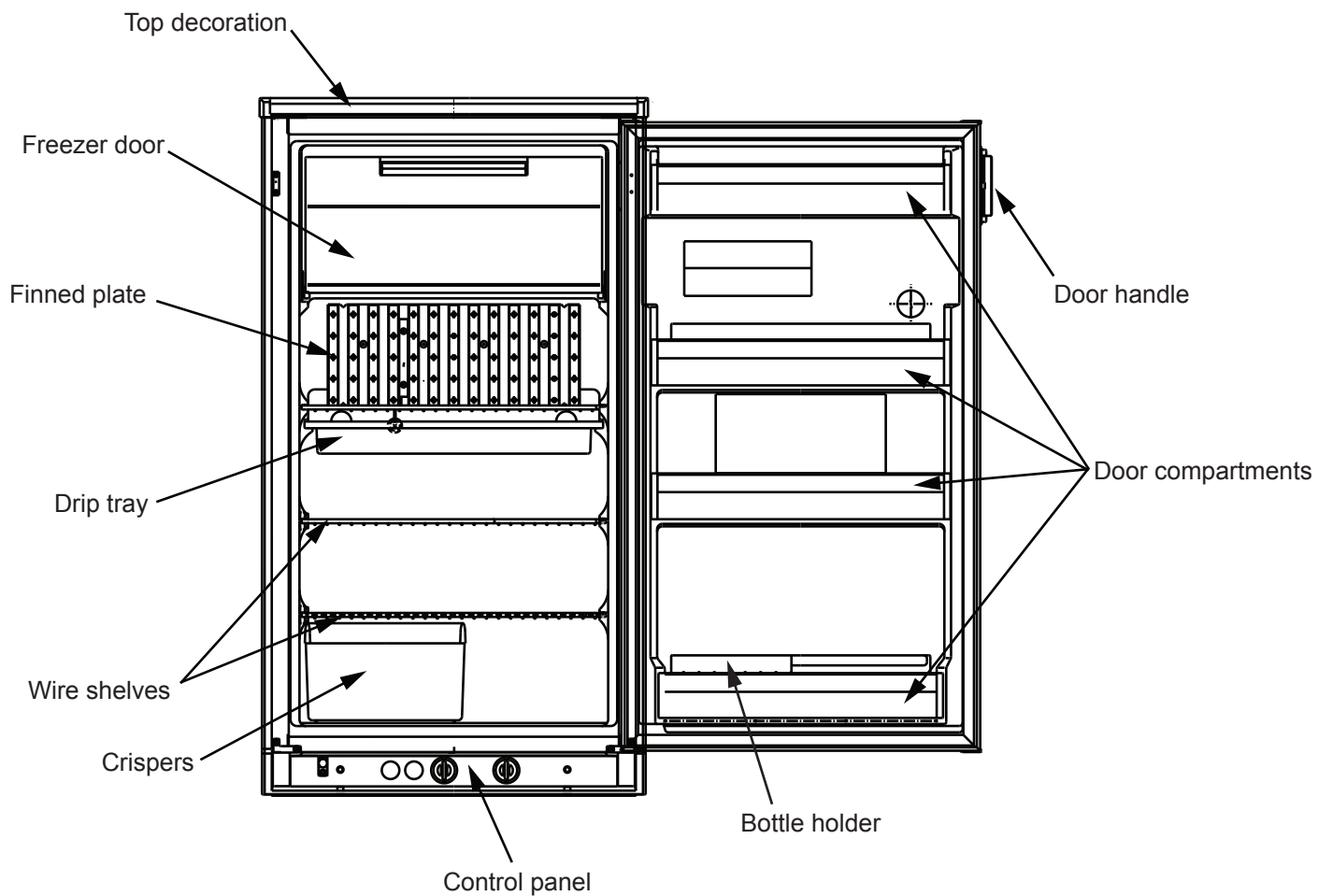


Information



Step-by-step instructions

REFRIGERATOR OVERVIEW



Model shown: RM2510.
The number of shelves and door compartments may vary according to model.

REFRIGERATOR OVERVIEW

ABSORPTION COOLING SYSTEM



When turning on the refrigerator, you should adjust the thermostat to the coldest temperature setting. The cooling cycle may require an extended running time before cooling effect is observed.

LEVELING THE REFRIGERATOR

Leveling is one of the requirements for proper operation with absorption refrigerators. To ensure proper leveling the vehicle needs to be leveled so it is comfortable to live in (no noticeable sloping of floor or walls).

Any time the vehicle is parked for several hours with the refrigerator operating, the vehicle should be leveled to allow proper cooling.

When the vehicle is moving, the leveling is not critical, as the rolling and pitching movement of the vehicle will pass to either side of level, keeping the liquid ammonia from accumulating in the evaporator tubing.

PURGING AIR FROM THE LINES

If the refrigerator has not been used for a long time - or - the LP tanks have just been refilled, air may be trapped in the supply lines. You may have to repeat the lighting procedure several times to purge the air from the lines. If repeated attempts fail to start the LP gas operation, check to make sure that the LP gas supply tanks are not empty and that all manual shutoff valves in the lines are open. If the problem persists, turn the refrigerator off and take it to a Service Center.

MODES OF OPERATION

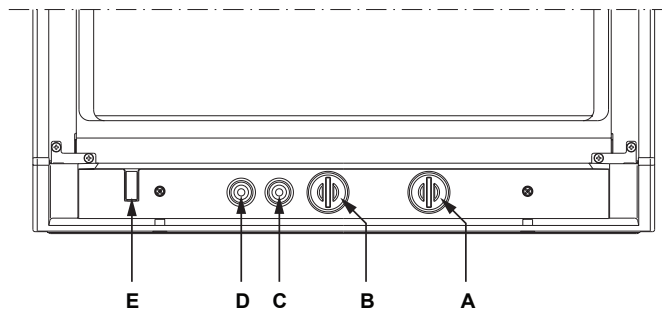
GAS OPERATION - LP

ELECTRIC OPERATION - 120 VAC

OFF

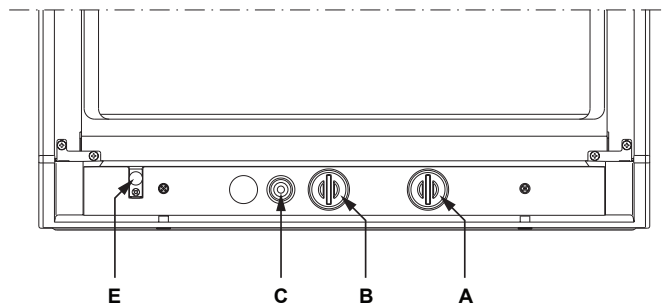
CONTROL PANEL

RM2410



- A. ON/OFF switch
- B. Thermostat Gas/Electric
- C. Safety button
- D. Piezo igniter
- E. Flame view port

RM2510



- A. ON/OFF switch
- B. Thermostat Gas/Electric
- C. Safety button
- E. Flame view port

INSTRUCTIONS FOR USE

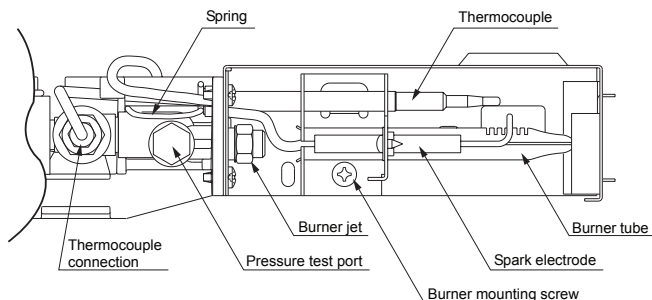
GAS OPERATION

⚠ WARNING

FIRE HAZARD. When the RV has not been used for some time, make sure that the path between the burner jet and the burner tube has not been obstructed before lighting the LP gas burner. Failure to obey this warning could cause a fire resulting in death or serious injury.

⚠ WARNING

FIRE OR EXPLOSION HAZARD. When refueling or parked near gasoline pumps, make sure the GAS mode is shut OFF and all LP gas appliances vented to the outside of the vehicle are shut OFF. Otherwise, gasoline fumes from gasoline pumps could come into contact with an LP gas appliance burner flame and ignite. Failure to obey this warning could cause a fire or explosion resulting in death or serious injury.



RM2410

1. Before starting the refrigerator, check that all the manual gas valves are in the ON position. To start the refrigerator, turn the ON/OFF switch to the GAS position.
2. Turn the thermostat knob one quarter (1/4) of a turn from the OFF position.
3. Press Safety button and hold. While holding the button, press the Piezo igniter button several times in order to light the burner. This can be observed through the flame view port.
4. After the flame is lit, continue to hold the Safety button for 10 seconds. Release the button and check the flame view port to make sure the burner does not go out. If the burner goes out, repeat the lighting procedure.
5. To shut off the refrigerator, turn the ON/OFF switch to OFF.

RM2510

1. To start the refrigerator, turn the ON/OFF switch to the GAS position. Lamp is lit.
2. Turn the thermostat knob one quarter (1/4) of a turn from the OFF position.
3. Press the Safety button and hold.
4. When the lamp stops flashing, hold the Safety button an additional 15 seconds.
5. Release the Safety button. If the lamp starts to flash again, repeat the procedure.
6. If flame blows out, the reigniter will automatically relight the flame.
7. To shut off the refrigerator, turn the ON/OFF switch to OFF.



After changing an LP tank, or after a long shut off period, the gas line is likely to be filled with air. You may have to repeat the lighting procedure several times to purge the air out of the gas lines.

ELECTRIC OPERATION



1. Check to be sure the power cord is properly connected to the power supply.
2. Turn the ON/OFF switch to the position marked ELEC for 120 VAC operation.
3. Turn the thermostat knob one quarter (1/4) of a turn from the OFF position.
4. To shut off the refrigerator, turn the ON/OFF switch to OFF.

ADJUSTING THE THERMOSTAT

The refrigerator is equipped with a thermostat which can be adjusted by turning the thermostat knob to **MAX** (coldest cabinet temperature) or **OFF** (warmest cabinet temperature) to obtain the desired cabinet temperature.

- **OFF:** In gas operation, the thermostat closes its main valve and the burner runs continuously at the bypass rate or pilot. In electric operation, the contacts in the thermostat are open and the heating element is off.
- **MAX:** In gas operation, the thermostat allows the burner to remain on high flame continuously. In electric operation, the heating element is "ON" continuously.

When the thermostat reaches the set temperature, it will cut the burner back to bypass or, in electric operation, shut off the heating element.

INSTRUCTIONS FOR USE

TURNING OFF THE REFRIGERATOR, AND WHEN NOT IN USE

You can turn off your refrigerator by turning the ON/OFF switch to OFF.

If the refrigerator will not be in operation for an extended period of time or put into winter storage, it should be emptied, defrosted, cleaned, and the doors left ajar. If ice cube trays are in use, they should also be dried and kept outside the cabinet.

NOTICE

This refrigerator is intended for continuous use. Do not allow it to run unattended when there is a risk for loss of electricity or fuel. Food spoilage could occur.

STORAGE COMPARTMENTS

⚠ WARNING

FIRE OR EXPLOSION HAZARD. Do not store or use gasoline, oil or gasoline soaked rags, or other flammable vapors and liquids in the service area behind the refrigerator or in the vicinity of this or any other gas appliance. Failure to obey this warning could cause a fire or an explosion resulting in death or serious injury.

- Arrange all food in the unit to allow for free air circulation. Do not overpack because a stuffed refrigerator must work harder and will have higher cabinet temperatures.
- Do not leave the unit's door open any longer than necessary. This will reduce frost formation and increase the efficiency of the refrigerator.

FROZEN FOOD STORAGE COMPARTMENT

This compartment is not designed for deep or quick freezing of food.

- To prevent food from drying out, keep it in covered dishes, containers, plastic bags or wrapped in aluminum foil.
- Meat or fish, whether raw or prepared, can be stored in the frozen food storage compartment provided they are precooled first in the refrigerator. They can be stored about three times longer in the frozen food compartment as compared to the fresh food compartment.
- Quick frozen soft fruits and ice cream should be placed in the coldest part of the compartment, which is at the bottom of the aluminum liner.
- Frozen vegetables, may be stored in any part of the compartment.
- To prevent frost buildup, which can reduce efficiency, wipe excess moisture off items being placed in the compartment.

REFRIGERATOR VOLUME

REFRIGERATOR MODEL	TOTAL REFRIGERATED VOLUME (CU. FT.)
RM2410	3.9
RM2510	5.1

FOOD STORAGE COMPARTMENT


- Cool the refrigerator before placing any food inside. Never put hot food or drinks into the refrigerator - cool them first.
- The food storage compartment is completely closed and unventilated, which is necessary to maintain the required low temperature for food storage. Consequently, foods having a strong odor or those that absorb odors easily should be covered.
- Vegetables, salads, etc., should be covered to retain their crispness.
- The coldest positions in the refrigerator are under the cooling fins and at the bottom of the refrigerator. The warmer areas are on the upper door shelves. This should be considered when placing different types of food in the refrigerator.


ICE CUBES

Ice cubes can be made in the freezer compartment. For faster freezing, place trays in direct contact with the bottom of the freezer compartment. Ice will be made more rapidly if the thermostat is set at its highest position, but be sure to move the thermostat back to normal setting when the ice is formed; the refrigerator might otherwise become too cold.

PRODUCT CARE

DEFROSTING

-  1. Shut off the refrigerator by turning knob (A) to OFF.
2. Empty the refrigerator.
3. Leave the cabinet and freezer doors open and make sure the drip tray is in place under the finned evaporator.

 Defrosting time can be reduced by filling ice trays with hot water and placing them in the freezer compartment.

WARNING

FIRE AND INHALATION HAZARD. Do not use a knife, ice pick, or any other sharp tool to remove frost from the freezer compartment. Failure to obey this warning could cause a leak in the ammonia cooling system which could lead to a fire hazard resulting in death or serious injury.

An ammonia leak also poses an inhalation hazard, and could cause chemical burns to the skin and eyes. Exposure to a high concentration of ammonia could result in death or serious injury.

NOTICE

Do not use a hot air blower to remove frost from the freezer compartment. Permanent damage could result from warping the metal or plastic parts.

4. When all the frost has melted, dry the interior with a clean cloth and turn the refrigerator back on.
5. Set the thermostat to the coldest setting for a few hours. Then, reset the thermostat to the desired setting, usually at mid setting. Replace food after refrigerator has reached appropriate cool temperature.

CLEANING

Always keep the refrigerator clean. Cleaning the refrigerator is usually done after it is defrosted or put into storage. Use lukewarm weak soda solution to clean the interior liner of the refrigerator. Use warm water only to clean the finned evaporator, gasket, and shelves. Do not spray liquid near electrical outlets, connections, or the refrigerator components.

NOTICE

Do not use strong chemicals or abrasives to clean these parts, as the protective surfaces will be damaged.

To keep the refrigerator operating efficiently, periodic inspection and cleaning of several components once a year is recommended:


- Check the lower vent, upper vent, and area between these openings for any obstructions such as bird/insect nests, spider webs, etc.
- Make sure the refrigerator area is free from combustible material, gasoline, and other flammable vapors or liquids.

WARNING

FIRE OR EXPLOSION HAZARD. Do not store or use gasoline, oil or gasoline soaked rags, or other flammable vapors and liquids in the service area behind the refrigerator or in the vicinity of this or any other gas appliance. Failure to obey this warning could cause a fire or an explosion resulting in death or serious injury.

- If accessible, clean the coils on the back of the refrigerator. Use a soft bristled brush to dust off the coils.

MAINTENANCE & SERVICE


 To keep the refrigerator working properly, a qualified service technician should, at least once a year, inspect the connections, the control system, the LP gas pressure, and the flue baffle.

WARNING


FIRE AND INHALATION HAZARD. If the refrigerator stops working -or- if it emits an ammonia smell, immediately turn the refrigerator off, leave the vicinity, and contact a Service Center.

A high concentration of ammonia refrigerant could cause an inhalation hazard, could cause chemical burns to the skin and eyes, and could cause a fire resulting in death or serious injury.

PERIODIC MAINTENANCE

 To be performed by a qualified service technician only.


CHECKING THE LP GAS CONNECTIONS

-  1. Check all connections in the LP gas system (at the back of the refrigerator) for gas leaks. The LP gas supply must be turned on.
2. Apply an approved leak detection solution to all LP gas connections. The appearance of bubbles indicates a leak and should be repaired immediately!

WARNING

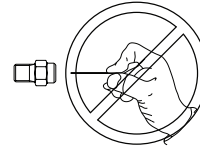
FIRE OR EXPLOSION HAZARD. Never use an open flame to check for gas leaks. Failure to obey this warning could cause a fire or explosion resulting in death or serious injury.

CLEANING THE BURNER

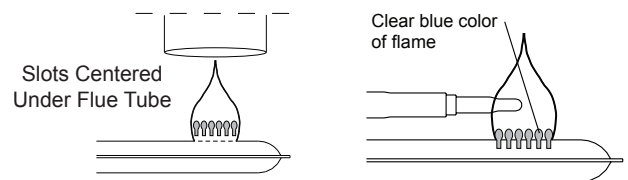
-  1. Turn off the refrigerator.
2. Unplug the power cord from the 120 VAC outlet.
3. RM2510: Disconnect the wires or shut off the 12 VDC power supply to the refrigerator.
4. Turn off the manual shut off valve.
5. Remove cover from burner housing.
6. Clean the burner tube with a brush. Blow out the burner with compressed air.

WARNING

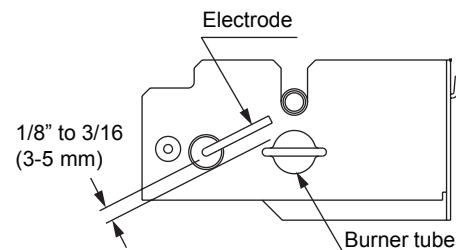
FIRE HAZARD. Never use a wire or pin to clear obstructions from the burner jet as damage will occur. Do not attempt to adjust the burner jet. Failure to obey this warning could cause a fire resulting in death or serious injury.



7. Verify that the burner jet slots are centered under the flue tube and that the thermocouple is positioned properly.
8. Be sure to check the burner flame for proper appearance. The flame should be clear blue over the slots of the burner.




9. Check the electrode for proper location and gap. Adjustments may be made with needle nose pliers if necessary.




10. Turn on the manual gas shut off valve.
11. Examine all fittings for leaks. (Use a commercial non-corrosive bubble solution.)
12. Connect the 120 VAC power cord.
13. RM2510: Reconnect / turn on the 12 VDC power.
14. Check LP gas safety shutoff.

REFRIGERATOR REMOVAL

 Refrigerator removal and installation should be performed by a qualified service technician.


Before removing the refrigerator:

-  1. Verify that the 120 VAC power cord is disconnected at rear of refrigerator.
2. RM2510: Verify that the 12 VDC leads are disconnected and capped at rear of refrigerator.
3. Shut off the gas supply.
4. Disconnect and cap the LP gas supply line at rear of refrigerator.


NOTICE

Always use a backup wrench when loosening and tightening LP gas connections.

To remove the refrigerator:

-  1. Remove the screws anchoring the refrigerator to the enclosure.
2. Slide the refrigerator out of the compartment.

To replace the refrigerator:

-  1. Make sure the sealing strips (isolating the appliance combustion system from the vehicle interior) are properly positioned for a complete seal.
2. Slide the refrigerator back into the compartment.
3. Replace the screws anchoring the refrigerator to the enclosure.
4. Reconnect the LP gas supply line at the rear of the refrigerator.

NOTICE

Always use a backup wrench when loosening and tightening LP gas connections.

5. Check all connections for LP gas leaks.
6. Reconnect the 12 VDC leads at rear of refrigerator.
7. Reconnect the 120 VAC power cord at rear of refrigerator.

TROUBLESHOOTING

TROUBLESHOOTING TABLE

If you run into a problem, refer to the troubleshooting table below.

SYMPTOM	CHECK/REMEDIAL ACTION
Refrigerator stops cooling	<ul style="list-style-type: none"> • Immediately turn refrigerator off and contact a Dometic dealer or Service Center. NOTE! Do not leave it running for an extended period of time, and never try to solve the problem by repeatedly restarting the refrigerator. • Do not use refrigerator until it has been repaired.
Refrigerator emits an ammonia smell	<ul style="list-style-type: none"> • Immediately turn refrigerator off at front control panel. • Do NOT open refrigerator doors. • Open coach windows and doors (to air out coach) and evacuate. • Turn off manual LP gas valve at rear of refrigerator. • Disconnect the 120 VAC power at rear of refrigerator. • Contact a Dometic dealer or Service Center for repair. • Do not use the refrigerator until it has been repaired.
Refrigerator or freezer is not cold enough	<ul style="list-style-type: none"> • Check the thermostat and adjust if necessary. • Is there a power failure? • Is the refrigerator level? (Due to the nature of its operation, it is important to keep an absorption refrigerator level.) • Door closing properly? Check the door gasket. • Heavy frost build-up on evaporator fins? To prevent frost buildup, do not leave the unit's door open longer than necessary. • Overpacked refrigerator? The unit will have to work harder if refrigerator is stuffed, and results in higher cabinet temperatures. Arrange food in the unit to allow for free air circulation.
Refrigerator does not work on electric	<ul style="list-style-type: none"> • Is the plug firmly connected to the receptacle? Is the receptacle energized? Check the receptacle by plugging in another appliance. • Is there a power failure? • Blown fuse. Turn refrigerator off and contact a Dometic dealer or Service Center for repair.
Refrigerator does not work in gas operation mode	<ul style="list-style-type: none"> • LP gas bottle empty? Change the gas bottle. • Air in the gas line? Remove air by repeating the ignition sequence. • If the problem persists, turn refrigerator off and contact a Dometic dealer or Service Center for repair.
Refrigerator emits an odor from fumes	<ul style="list-style-type: none"> • Dislocated or damaged burner. Turn refrigerator off and contact a Dometic dealer or Service Center for repair. • Dirty flue tube. Turn refrigerator off and contact a Dometic dealer or Service Center for repair.

If the problem persists and the refrigerator is still not working properly, turn refrigerator off and contact your nearest Service Center. State the problem, model, product, and serial number. These details are stated on the data label inside the fresh food compartment.

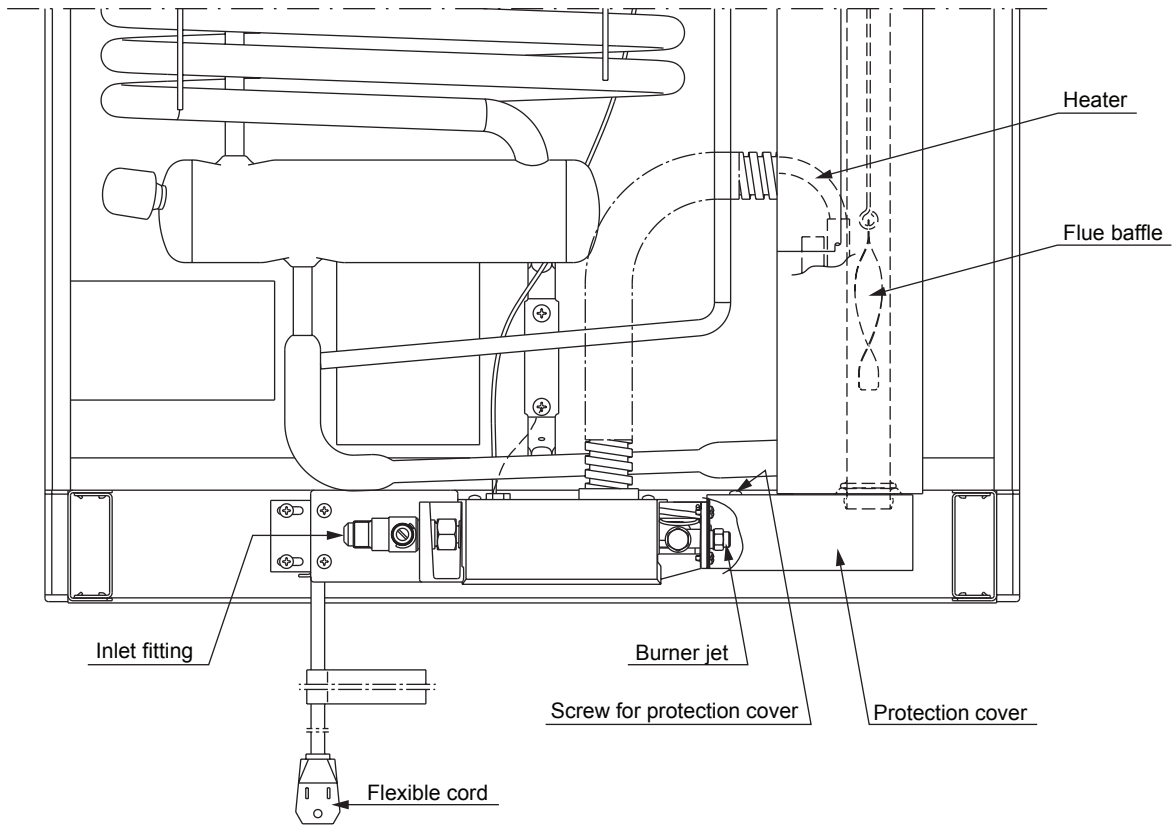
APPENDIX A - SPARE PARTS

The following table displays commonly used parts which should be available from your Dometic Service Center.

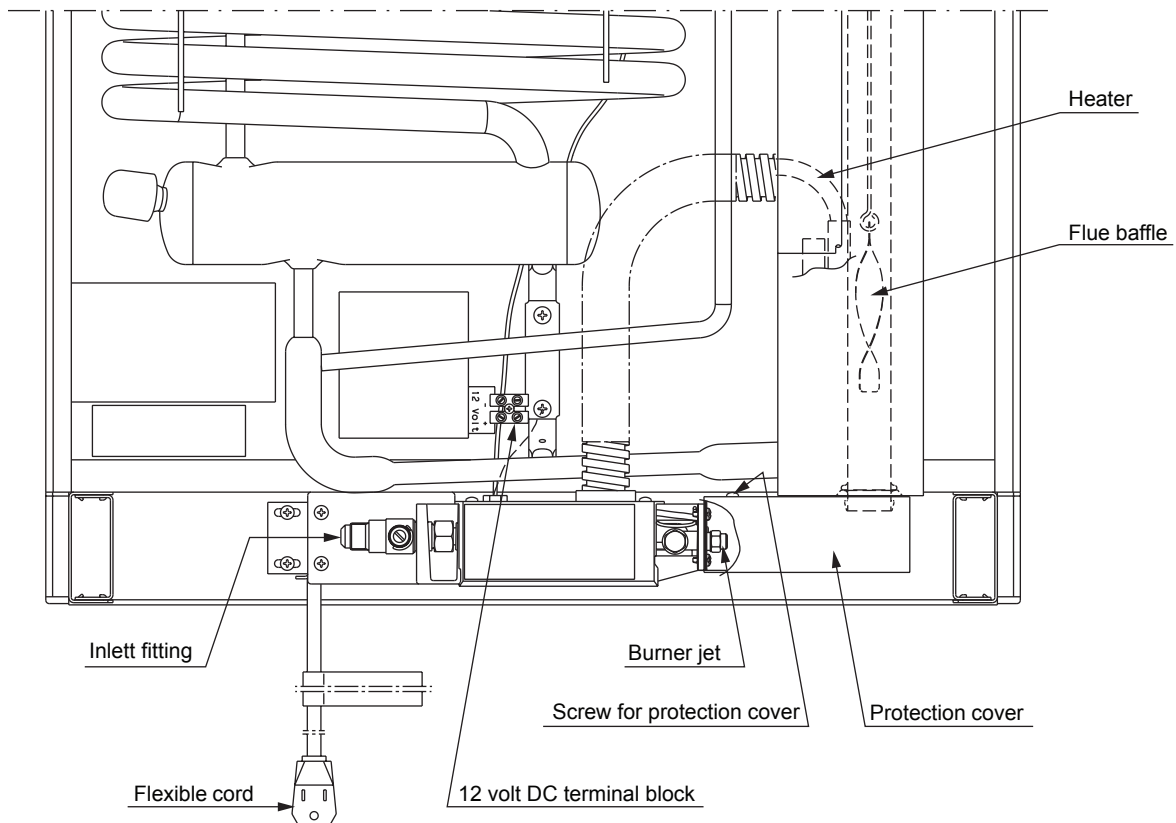
SPARE PARTS	PART NO	MODELS
Baffle	2007590017	RM2410, RM2510
Burner	2007503036	RM2410, RM2510
Crisper	2002726061	RM2410, RM2510
Door shelf, lower	2002261242	RM2410 RM2510
Door shelf, 2 pieces	2000571253	RM2410
Door shelf, 3 pieces	2000571253	RM2510
Electrode	2930379009	RM2410, RM2510
Heater (120V, 160W)	3850644331	RM2410
Heater (120V, 185W)	3850644505	RM2510
Handle	2931600023	RM2410, RM2510

APPENDIX B - REARVIEW EQUIPMENT

RM2410

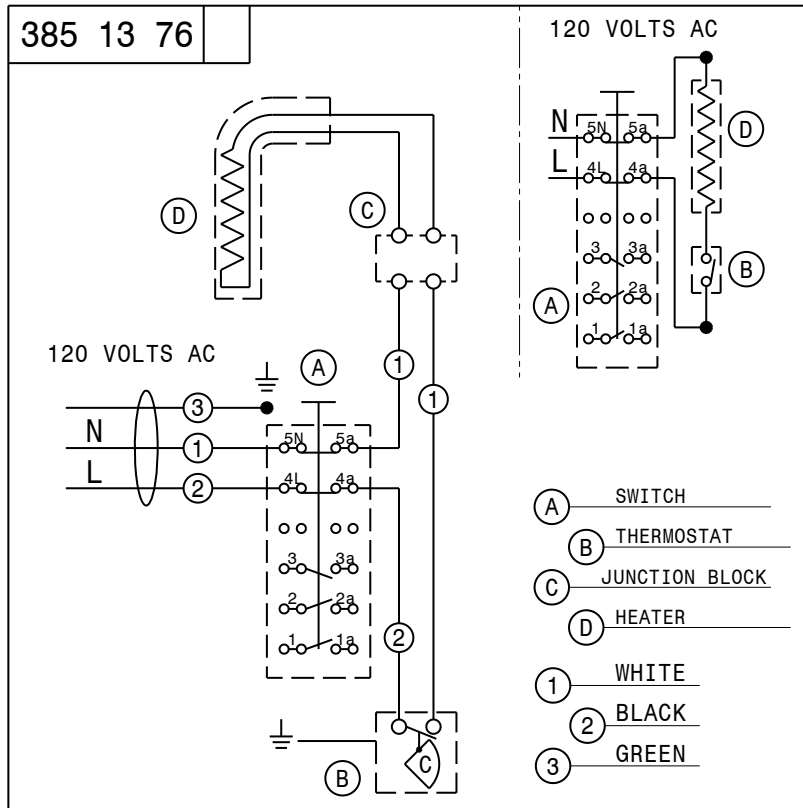


RM2510

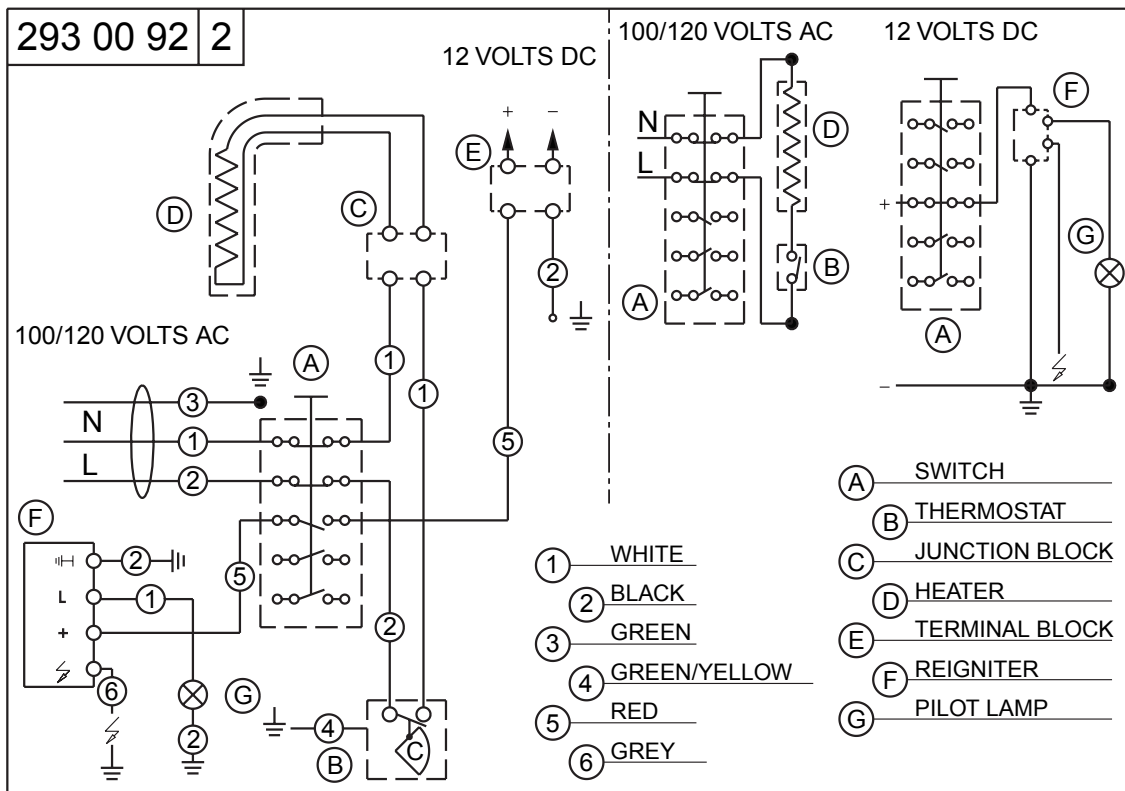


APPENDIX C - WIRING DIAGRAM

RM2410



RM2510



APPENDIX D - CONSUMER SUPPORT

Dometic website

www.dometicusa.com

Please visit the website for information and news about Dometic products. You can obtain information about how to get in contact, learn about product care, download manuals, leaflets and warranties.

Service and spare parts

For service, please contact the Service Center Assistance, see the front page of this manual - or - visit the Dometic website to find the location of the nearest Dometic Service Center.

Commonly used spare parts are listed in this manual, see APPENDIX A - SPARE PARTS. These should be available from your Dometic Service Center.

Contact us

For contact information, please see the front page of this manual - or - visit the Dometic website.

Register the appliance

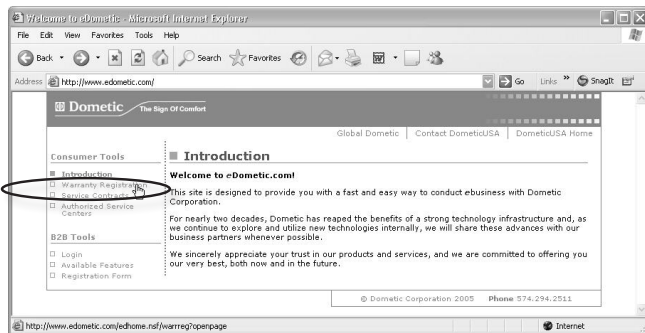
www.edometric.com

Timely registration will allow for enhanced communication and service under the terms of the warranty, see Appendix E - Dometic warranty.

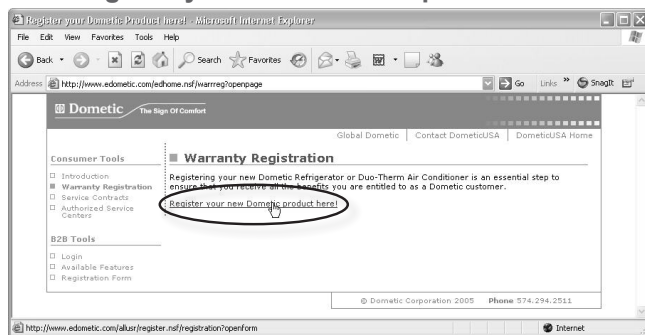
To register the appliance, fill in the pre-printed registration card on the last page of this manual or register on-line at the Dometic website www.edometric.com.

TO REGISTER ON-LINE, FOLLOW THESE STEPS:

1. At www.edometric.com, click **Warranty Registration**.



2. Click **Register your new Dometic product here**.



3. Complete the information and then, click the **Submit Registration** button.

A screenshot of the "Dometic Owner's Registration" form. The form includes fields for "First:", "M:", "Last:", "Street:", "City:", "State/Prov:", "Zip:", "Canadian Zip:", "Model Number:", "Serial Number:", and "Date of Purchase:". The "Model Number" and "Serial Number" fields are circled in red. At the bottom, there is a "SUBMIT Registration" button.

A close-up of the data label on the refrigerator compartment. The label contains technical specifications and identification numbers. The "MOD. NO." and "SER. NO." fields are circled in red. The label also includes information about the manufacturer, input rate, and installation instructions.

MANUFACTURED FOR THE DOMETIC CORP. - SUWAY (INC.) USA (USA) - SUWAY (INC.) CANADA (CANADA)	MOD. NO.	INPUT RATE	Btu/hr. (W)	FOR MANUFACTURED HOME (MOBILE HOMES) OR RECREATIONAL VEHICLE INSTALLATION
	PROD. NO.			
	SER. NO.			EQUIPPED FOR LP GAS
				MANIFOLD PRESSURE OF 11" W.C.
	120V 60Hz	Amp		PUR INSTALLATION DANS UNE MAISON PREFABRIQUEE (MOBILE) OU UN VEHICULE DE CAMPING
	12V	Amp		
				REFRIGERANT 7.17 oz.
				TESTED TO ISO 10134-1 (5.86 MPa)
				INSTALL ONLY WITH VENT KIT ACCORDING TO FORM NO. 310 B9 37,...
				INSTALLER UNIQUEMENT AVEC LA TROUSSE D'AIR DE COMBUSTION CONFORME NENT. FORMULAIRE NO. 310 B9 37,...
				2832720-00-MADE IN SWEDEN

The model number (e.g. RM2410) and serial number (e.g. 012 34567) are stated on the data label in the refrigerator compartment.

APPENDIX E - DOMETIC WARRANTY

Congratulations, and Thank You for purchasing the industry's best built and best backed RV Refrigerator. Below you will find important warranty and maintenance information on Dometic's exclusive two (2) year warranty. Please take a few moments and familiarize yourself with the program. We at Dometic appreciate your business and are confident that you will have many years of trouble-free RV enjoyment.

LIMITED TWO-YEAR WARRANTY DOMETIC REFRIGERATORS THE SELLER NAMED BELOW MAKES THE FOLLOWING WARRANTY WITH RESPECT TO THE DOMETIC PRODUCT:

1. This warranty is made only to the first purchaser (herein after referred to as the "Original Purchaser") who acquires the product for his own use and is installed and operated within the continental United States and Canada.
2. This warranty will be in effect for two years on parts and freight and two years on labor from the date of purchase by the Original Purchaser. It is suggested that the original purchaser retain a copy of the dated bill of sale as evidence of the date of purchase.
3. This warranty covers only specified parts, which shall be free from defects in material and workmanship under normal use. This warranty does not cover conditions unrelated to the material and workmanship of the product. Such unrelated conditions include, but are not limited to: (a) damage not reported within the first 7 days of ownership; (b) faulty installation or installation that does not comply with RVIA standards, and any damage resulting from such; (c) the need for normal maintenance and any damage resulting from the failure to provide such maintenance; (d) failure to follow Sellers instructions for use of product; (e) any accident to or misuse of any part of this product and any alteration by anyone other than the Seller or its authorized representative; (f) any non-Dometic parts that are installed as replacement parts will void any warranty (implied or written); (g) blow out conditions; (h) radio frequency interference and electromagnetic interference; (i) 12V system chassis ground decay and corrosion; (j) puncture of foam cabinet or vacuum insulated panels after acknowledged receipt; (k) animal or insect infiltration which damages unit or inhibits performance; (l) abuse or misuse of electrical components.
4. The specified parts covered by this warranty are as follows: Major components (cooling unit, LP gas valve, burner, burner housing, electronic display, electronic module, evaporator fins, foam integrity, frame, thermistor, spark probe, ignition wire, ice maker compressor, second absorption loop, display escutcheon, lower toe plate, humidity switch, frame heater mullion, ice maker mullion) are covered for parts and freight for two years and labor for two years from date of purchase. All other components that fail must be reported within the first 90 days of ownership in order to receive coverage of parts, freight and labor under warranty.
5. **This warranty requires the Original Purchaser to provide preventative maintenance on a yearly basis, starting at the anniversary of his date of purchase.** The Original Purchaser must keep a record of the preventative maintenance to keep the warranty in effect. Failure of the Original Purchaser in providing this annual maintenance may void the warranty. The preventative maintenance must be performed at a Dometic Authorized Service Center/Dealer. The preventative maintenance required is an inspection, cleaning and full diagnostics performed on the entire electronic system, burner assembly, wiring and cooling unit. A copy of the receipt covering the maintenance checks must accompany the warranty claim during the second year of ownership. The cost of this preventative maintenance is the Original Purchaser's responsibility and should take about one hour.
6. In order to obtain the benefits of this warranty, the original purchaser must return the product which is found defective to the Seller named below or to a Dometic Authorized Service Center during the period that this warranty is in effect. The original purchaser is responsible for all charges incurred in delivery of the product to the Seller or Dometic Authorized Service Center, and in pick up after the warranty service has been completed. To obtain the location of the nearest Authorized Service Center, please call 1-800-544-4881 or in Canada call 1-519-653-4390.
7. Any item returned in the manner described in paragraph 6 will be examined by the Seller or the Authorized Dometic Service Center. If it is found that the returned item was defective in material and workmanship, the Seller or the Authorized Dometic Service Center will repair the product per the terms outlined in paragraph 4. **CONFIRM THE SERVICE AGENCY IS AN AUTHORIZED DOMETIC SERVICE CENTER. DO NOT PAY THE SERVICE AGENCY FOR WARRANTY REPAIRS. SUCH PAYMENTS WILL NOT BE REIMBURSED.**
8. The Seller does not authorize any person or company to create any warranty obligations or liability on their behalf. This warranty is not extended by the length of time which you are deprived of the use of the product. Repairs and replacement parts provided under the terms of this warranty shall carry only the non-expired portion of this warranty.
9. In no event shall either seller be liable for incidental or consequential damages. This includes any damage to another product or products resulting from such a defect. Some states do not allow the exclusion or limitation of incidental or consequential damages, so the above limitations may not apply.
10. Any implied warranty, including the implied warranty of merchantability and fitness for any purpose, is limited to the duration of this limited warranty. Some states do not allow limitations on how long an implied warranty can last, so the above limitation may not apply.
11. THIS WARRANTY GIVE SPECIFIC LEGAL RIGHTS, YOU MAY ALSO HAVE OTHER RIGHTS WHICH VARY FROM STATE TO STATE. No action to enforce this warranty shall be commenced later than ninety (90) days after the expiration of the warranty period. Claims must be submitted in writing to the Dometic Warranty Department for arbitration.
12. All products (except those specifically built for commercial use) are warranted only when installed in vehicles built to current edition R.V.I.A A119.2 and C.R.V.A. Z-240 Standards.
13. The Seller reserves the right to change the design of any product without notice and with no obligation to make corresponding changes in products previously manufactured.

Dometic Corporation
Warranty Department
1120 North Main Street
Elkhart, IN 46514

APPENDIX F - MAINTENANCE SCHEDULE

REFRIGERATOR OWNER MAINTENANCE YEARLY RECORD

Customer Name: _____ Model No.: _____ Date of Purchase: _____
 Address: _____ Serial No.: _____
 City: _____ State: _____ Zip Code: _____
 Phone: _____

FIRST YEAR

Date: _____
 Dealership: _____
 Address: _____
 City: _____
 State: _____ Zip: _____
 Phone: _____
 Technician: _____

SECOND YEAR

Date: _____
 Dealership: _____
 Address: _____
 City: _____
 State: _____ Zip: _____
 Phone: _____
 Technician: _____

Cleaned Burner Assembly: Yes / No
 Cleaned/Check All Terminals Connections: Yes / No
 Cleaned/Inspect All Ground Connections: Yes / No
 Inspect and Test Door Seals: Yes / No
 Inspect and Tighten LP Lines: Yes / No
 Power Ventilator Installed: Yes / No
 *Gas Safety Shutdown in 45 seconds: Yes / No

Cleaned Burner Assembly: Yes / No
 Cleaned/Check All Terminals Connections: Yes / No
 Cleaned/Inspect All Ground Connections: Yes / No
 Inspect and Test Door Seals: Yes / No
 Inspect and Tighten LP Lines: Yes / No
 Power Ventilator Installed: Yes / No
 *Gas Safety Shutdown in 45 seconds: Yes / No

	ACTUAL	SPEC. RANGE
Electrode Gap	_____	3/16"
Thermister Reading	_____	7-10,000 ohms @ 32°
*D/C Voltage	_____	9.5 to 15 volts D/C
*A/C Voltage	_____	120 Volts ± 10%
Thermocouple Reading	_____	25-35 Millivolts
*Delay Between Modes	_____	Approx. 5 seconds

	ACTUAL	SPEC. RANGE
Electrode Gap	_____	3/16"
Thermister Reading	_____	7-10,000 ohms @ 32°
*D/C Voltage	_____	9.5 to 15 volts D/C
*A/C Voltage	_____	120 Volts ± 10%
Thermocouple Reading	_____	25-35 Millivolts
*Delay Between Modes	_____	Approx. 5 seconds

* Use PAL RV Diagnostic Tool for these tests.

* Use PAL RV Diagnostic Tool for these tests.

ICEMAKER MODELS

Inspect Water Valve and All Connections: Yes / No
 Inspect Heat Tape Switch for Proper
 Operation: Yes / No

ICEMAKER MODELS

Inspect Water Valve and All Connections: Yes / No
 Inspect Heat Tape Switch for Proper
 Operation: Yes / No

PROTECTION FOR YOUR NEW INVESTMENT

We truly appreciate that you have chosen to purchase a Dometic product for your recreational vehicle and we want to help you protect this wise investment.

We at Dometic back our products with one of the most comprehensive warranties in the industry. Complete the registration card and mail to us or register your Product on-line at www.edometic.com.



TIME-DATED
MATERIAL
Please Process
Promptly!

Tape
Here

FIRST
CLASS
POSTAGE
REQUIRED



Dometic Processing Center
1120 North Main Street
Elkhart, IN 46514

Tape
Here

■ **WARRANTY VERIFICATION**

Your prompt registration records your right to protection under the terms and conditions of your warranty.

■ **FACTORY COMMUNICATION**

Returning your card or registering on-line guarantees you will receive product information and specials. Leaving your email address below will allow us to communicate with you quickly and efficiently.

■ **OWNER CONFIRMATION**

Your completed Owner's registration card serves as confirmation of ownership in the event of product damage or theft.

■ **2 PLUS 3 SERVICE CONTRACT**

Returning the card below or registering on-line assures you of an invitation to take advantage of an Optional 2 Plus 3 Full Service Contract which allows you to add up to 3 years of additional warranty coverage.



Return this card within **10** days to ensure your:

- WARRANTY VERIFICATION
- FACTORY COMMUNICATION
- OWNER CONFIRMATION
- 2 PLUS 3 SERVICE CONTRACT

Fold here. Close with tape.

IMPORTANT:
Return Within
10 days



Owner's Registration Card

Registering your product is an essential step to ensure that you receive all the benefits you are entitled to as a DOMETIC customer. Complete the information below and mail to us or register on-line at www.edometric.com.

Be sure to include your email address so that we can communicate with you quickly and efficiently. Your address will remain confidential and will not be distributed to third parties.

Name

Address

City State/Prov.

Date of Purchase Zip/Postal Code

MO DAY YEAR

Email Address

- Email me exclusive offers and information on new products from Dometic.
- Email me offers and information from Dometic partners.

REFRIGERATOR MODEL NUMBER	SERIAL NUMBER
---------------------------	---------------

TO THE INSTALLER
 PLEASE AFFIX THESE INSTRUCTIONS
 TO THE REFRIGERATOR
 —
TO THE CONSUMER
 PLEASE RETAIN THESE INSTRUCTIONS
 FOR FUTURE REFERENCE