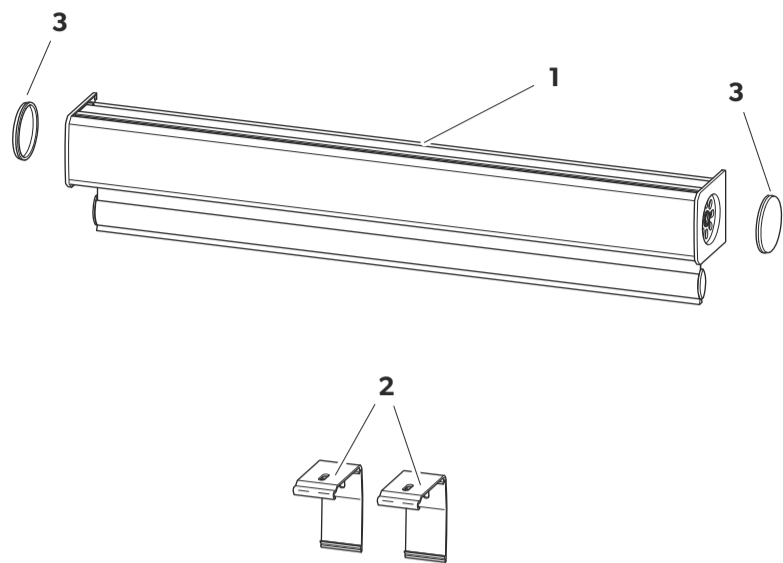
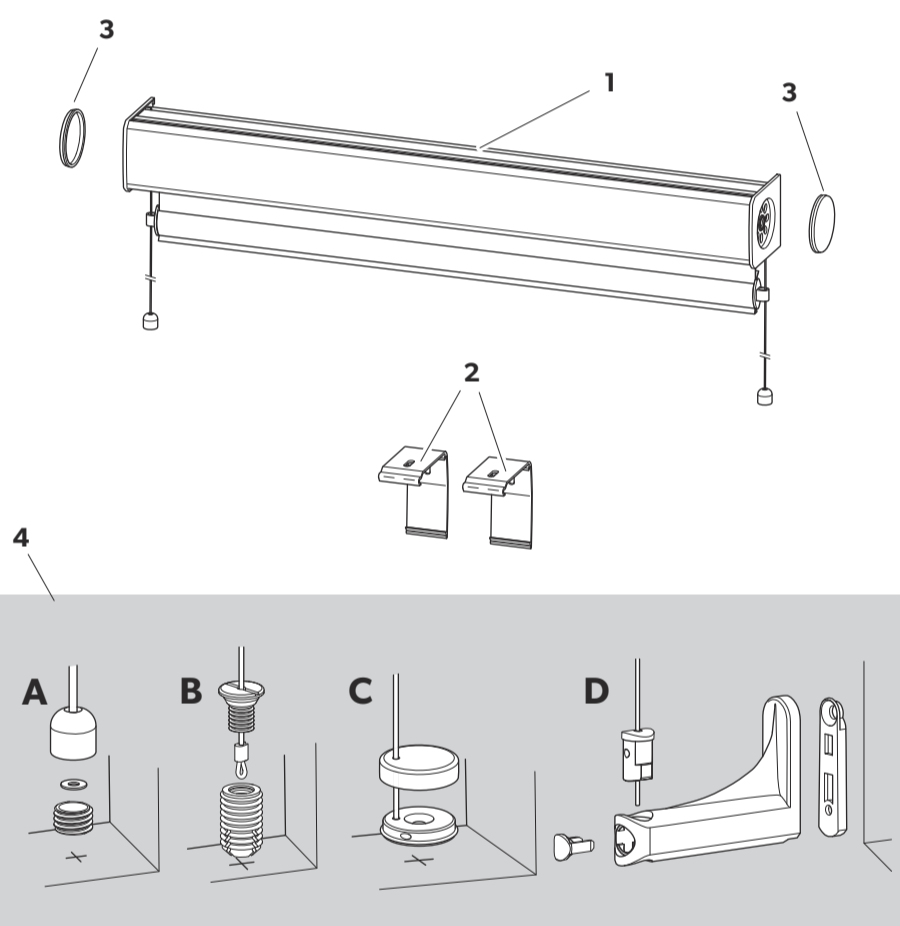


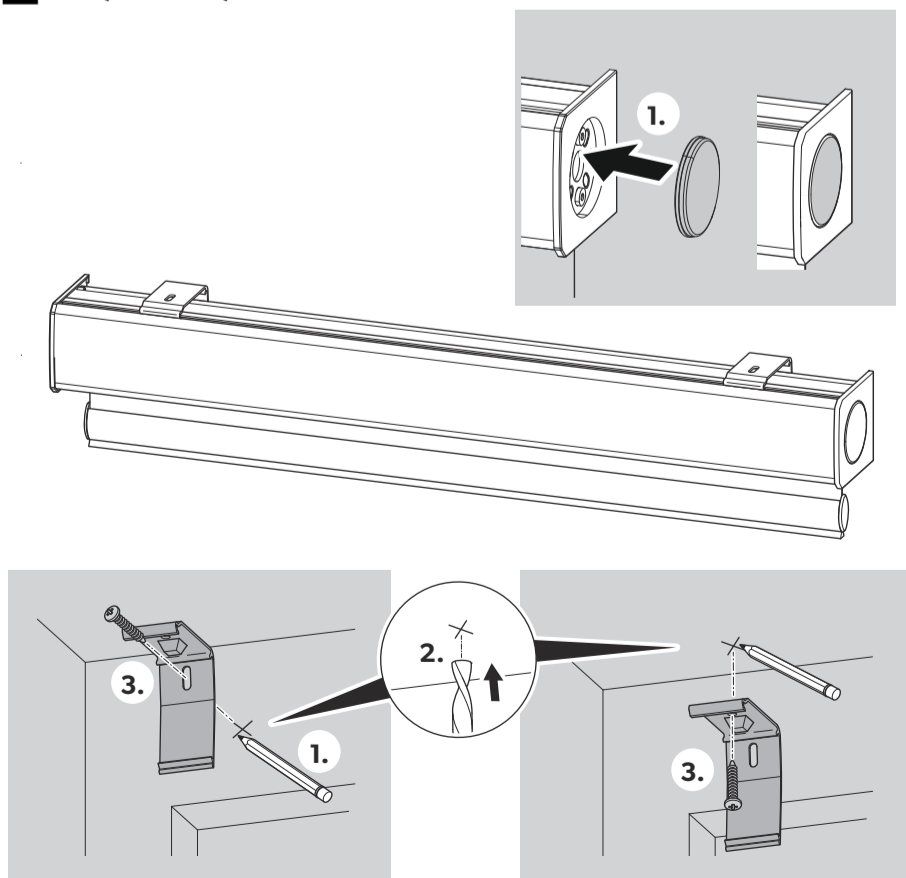
1 C1/C2 FH



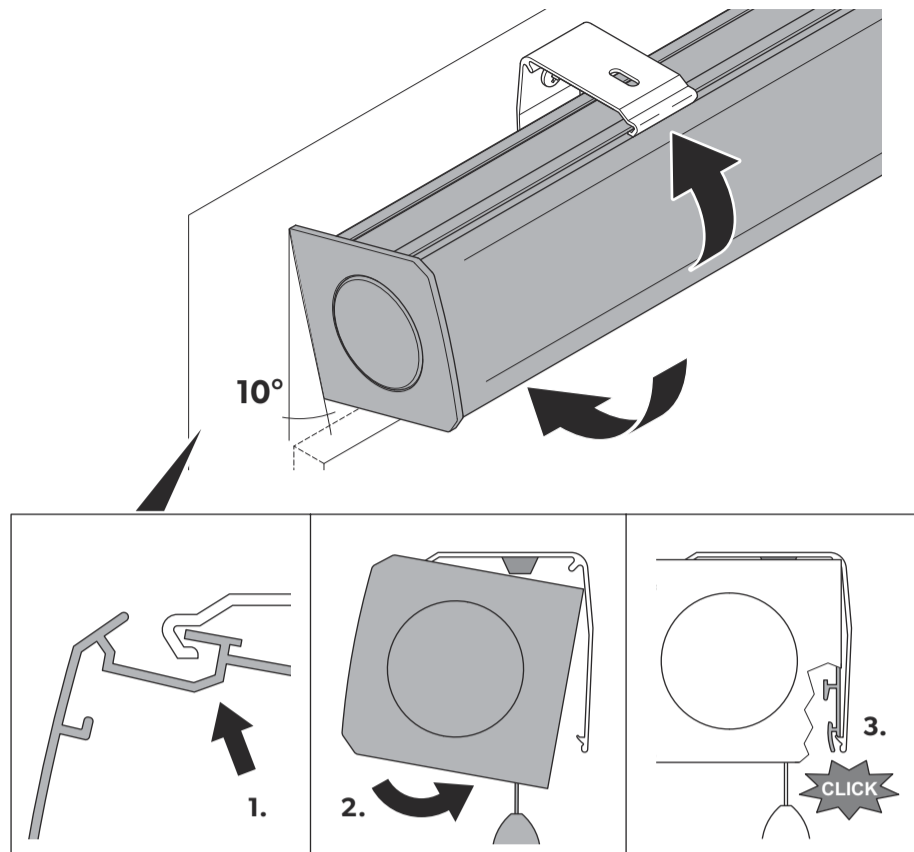
C1/C2 GW



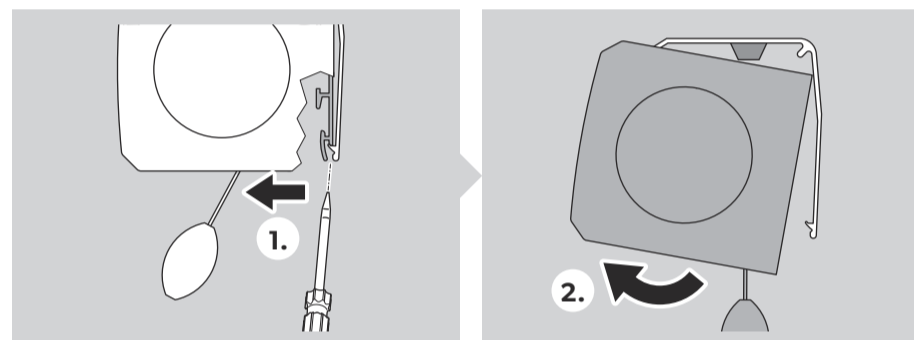
2 C1/C2 FH/GW



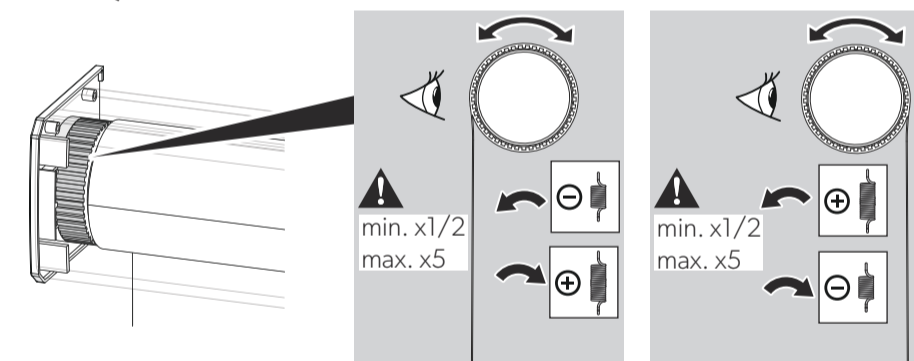
3 C1/C2 FH/GW



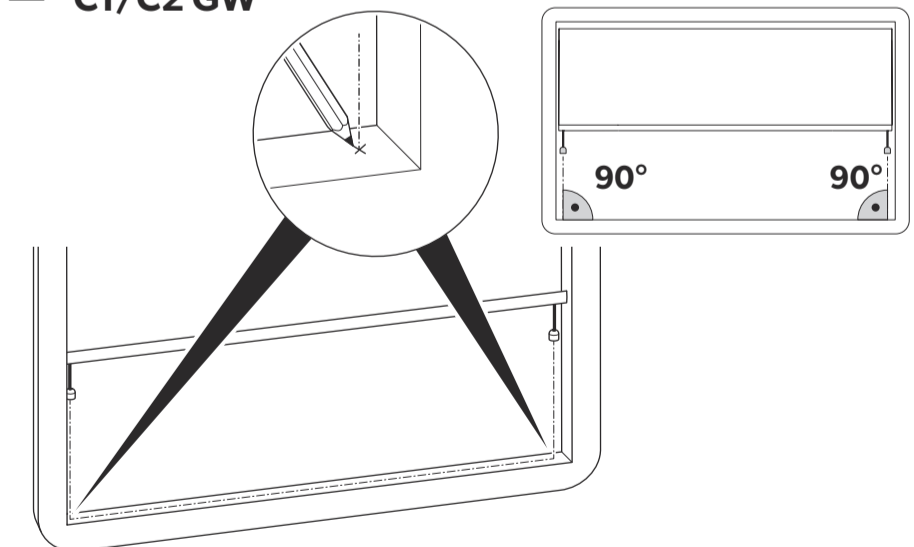
4 C1/C2 FH/GW



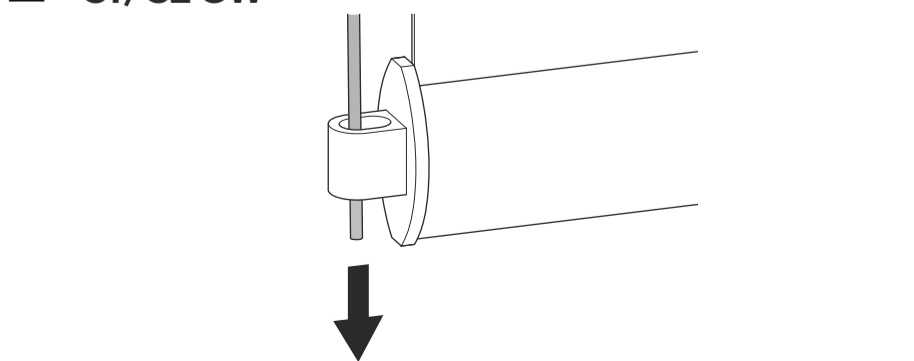
5 C1/C2 GW



6 C1/C2 GW



7 C1/C2 GW



i **8 C1/C2 GW A**

9 **10** **11**

1. 2. 1. 2. 1. 2.

5 mm [0,2 in]

12 **13**

2. 1. 1. 2.

i **14 C1/C2 GW B**

15 **16**

Ø 9,0 – 9,5 mm [Ø 23/64 – 3/8 in]

PZ1

≥ 19 mm [≥ 3/4 in]

17 **18** **19**

! 1. 2. 1. 2.

> 3 mm [> 1/8 in]

> 1 mm [> 7/16 in]

20 **21** **22** **23** **24** **25**

i **26 C1/C2 GW C**

27

6 mm [1/4 in]

! X ✓ X

28 **29** **30** **31**

1. 2. 1. 2. 1. 2.

32

20 mm [0,78 in]

1. ✓ X

i **33 C1/C2 GW D**

34 **35** **36**

1. 2. 3. 1. 2. 3.

37 **38**

1. 2. 1. 2.