

# DOMETIC SEASTAR FRONT MOUNT CYLINDER



EN

## Hydraulic Steering for Outboard Powered Vessels Front Mount Pivot Cylinder

Installation and owner's manual — Book 1.3

# To the Installer and End User (Owner)

Thank you for choosing SeaStar Steering Systems by Dometic. This Installation and Owner's Manual contains all the information that you and others will require for the safe installation and use of your steering system and MUST remain on board the boat. Throughout this manual, information for the safe installation and operation of the steering system will be distinguished in one of the following ways;

---

## WARNING

**Hazards or unsafe practices which could result in severe personal injury or death.**

Failure to adhere to a warning may lead to loss of steering control. Loss of steering control may result in unpredictable boat behavior, leading to ejection from boat causing property damage, personal injury and/or death.

---

## CAUTION

**Hazards or unsafe practices which could result in minor injury or product or property damage.**

---

## NOTICE

*Important information in regards to installation, use and maintenance of the steering components.*

---

## NOTICE

*Dometic Marine Canada Inc. is referred to as Dometic throughout this publication.*

**These safety alerts alone cannot eliminate all of the hazards that may be present while on the water. Dometic recommends that all users of the steering system take an accredited 'boating safety course', follow safe boating practices and are made aware of the environment that they will be in.**

# INDEX

<b>Safety information</b> .....	ii
<b>Introduction</b> .....	3
Important Information/Technical Support Contact.....	3
Parts List.....	3
Tools Required.....	3
Front Mount Outboard Installation Recommendations .....	4
<b>System Overview</b> .....	5
Minimum Splashwell Dimensions .....	5
Front Mount Cylinder .....	5
System Installation Overview .....	6
<b>Hydraulic Hose Installation</b> .....	7
<b>Installation Instructions</b> .....	9
Front Mount Cylinders.....	9
Positional O-Ring Horizontal and Vertical Tee Fitting Installation/Realignment .....	10
Ground Strap Installation .....	11
SeaStar Pro Cylinder .....	12
Single Engine Applications .....	13
HO5090 Spacer Kit.....	22
<b>Filling and Purging the System</b> .....	23
Hydraulic Oil Requirements.....	23
Single Station One Cylinder .....	25
Twin Station Single Cylinder .....	27
Single Station Twin Cylinder .....	27
Twin Station Twin Cylinder .....	27
Oil Level and System Check .....	28
<b>Routine Maintenance</b> .....	29
<b>Troubleshooting Guide</b> .....	31
<b>Technical Information</b> .....	33
<b>Seal/Replacement Parts</b> .....	34
<b>Limited Warranty</b> .....	35
Dometic Tech Support .....	36

## NOTICE

*Previous versions of Book 1.3 have listed installation instructions for HO6001, HO6002 and HO6003 tiebar brackets for twin engine installations. These instructions have been removed from Book 1.3 as they are redundant.*

*For information regarding tiebar bracket installation please refer to the specific instructions that come with each tiebar kit. For information regarding which tiebar kit to use in your application, please visit [www.dometic.com](http://www.dometic.com) or refer to the latest SeaStar Hydraulic Steering selection guide.*

# SAFETY INFORMATION

## WARNING

The safety information provided below is intended to inform you of the dangers that may be present before, during and after the installation. It is critical that you read and understand ALL the points noted.

The safe operation of the steering system is dependant upon proper installation and maintenance, common sense, safe judgment and the knowledge/expertise of the operator. Every installer/user of the steering system should know the following requirements 'before' installing/using the steering system.

If you have any questions regarding any of these warnings, contact Dometic. To reduce risk of severe injury or death. Always wear a Coast Guard Approved personal flotation device (PFD) and use an engine shut-off cord (lanyard).

## Before installation

1. Read and understand the Installation and Owner's Manuals provided with your steering components.
2. Ensure that all components required to complete the installation are on hand (including hoses, fittings, oil and the proper tools required for the installation).
3. SeaStar components are highly engineered and safety tested to ensure system integrity, DO NOT substitute any component with non-SeaStar components as this may compromise system performance/reliability.

## Installation

### CAUTION

-3 steering cylinders are fitted with ORB hose fittings. DO NOT use NPT fittings, irreparable damage to cylinder WILL occur.

### CAUTION

-4 helm pumps are fitted with positionable O-ring style hose fitting ports (referred throughout this manual as ORB). -4 fittings are exactly the same as -3 fittings. Do NOT attempt to install an NPT pipe fitting into a -4 helm hose fitting port. Doing so will lead to irreparable damage to the helm. ONLY use Dometic O-ring style hose fittings (ORB).

1. Install components as directed in all Installation Manuals (including helm pumps, hoses and fitting kits).
2. DO NOT modify or substitute any component in any way without written consent from Dometic.
3. Comply with all system ratings/regulations (boat/engine, U.S.C.G.).
  - Cylinder MUST be compatible with engine(s) installed.
  - Cylinder MUST be rated for use on the engine(s) installed.
4. Confirm that there is no interference between the steering cylinder(s), tiebars and the transom, splashwell, outboard engine or jackplate or any combination of these parts by performing the following steps;
  - a) With engine fully tilted DOWN, turn steering wheel from hard over to hard over and confirm that no interference occurs.
    - if using a hydraulic jack plate the above must also be performed at all the positions of the jack plate.
  - b) Repeat step 4a) with engines tilted UP.
  - c) Perform step 4a) with each engine in DOWN/UP positions confirming that independent TRIM/TILT can be done without any interference.
5. Confirm that the steering cylinder can be fully stroked in both directions as well as full tilt and trim without stretching, chafing, rubbing and/or kinking of the hydraulic hoses.
6. Confirm that extruded nylon tubing has NOT been substituted for SeaStar Steering Hose.
7. DO NOT use a wire coil type trim switch with a hydraulic steering system as the wire can wind up tight around the steering wheel shaft and prevent further steering.
8. Conduct Oil Level and System Check as outlined on page 28 of this manual.

---

**⚠ WARNING**

The safety information provided below is intended to inform you of the dangers that may be present before, during and after use. It is critical that you read and understand **ALL** the points noted.

---

---

**Prior to every use**

1. Check Fluid level in highest helm pump (see page 28 for proper fluid level setting).
2. Verify immediate steering response when turning steering wheel(s). (Ensure engine turns when steering wheel is turned.)
3. Visually inspect all steering hoses and fittings for wear, kinking and/or leaks.
4. Check for binding, loose, worn or leaking steering components.

DO NOT OPERATE BOAT IF ANY COMPONENT IS NOT IN PROPER WORKING CONDITION.

---

---

**During use**

1. WEAR A COAST GUARD-APPROVED PERSONAL FLOTATION DEVICE (PFD).
2. ATTACH ENGINE SHUT-OFF CORD (LANYARD) TO YOUR PFD.
3. Never allow anyone not familiar with the operation of the steering system operate the boat at any time.
4. Know and adhere to the operator restrictions for your area including:
  - Federal Laws/Regulations,
  - State Laws/Regulations and
  - Municipal Laws/Regulations.

DO NOT OPERATE BOAT IF ANY COMPONENT IS NOT IN PROPER WORKING CONDITION.

---

---

**After use**

1. Rinse off steering system thoroughly using 'fresh, clean water only', excluding electronics or areas around electronics.
    - Cleaning fluids containing ammonia, acids or any other corrosive ingredients **MUST NOT** be used for cleaning any part of the hydraulic steering system.
- 

---

**Maintenance**

1. Maintain steering system at a minimum of twice per year.
    - See Maintenance, on page 29 of this manual.
- 

*Keep our waters clean for all current and future users. Dispose of ALL fluids in accordance with your local regulations.*

**⚠ WARNING**

The safety information provided below is intended to inform you of the warning information on your products. Contact Dometic if labels are missing.

**Important Labels**

**SEASTAR™**

 **HC5345-3-XXXXXXX** BY  **DOMETIC**

**PART# HC5345-3**  
**SEASTAR OUTBOARD STEERING CYLINDER 10.3 MPa (1500psi) MAX.**



**⚠ WARNING** Failure to adhere to these warnings may result in loss of steering control, leading to possible ejection from vessel causing property damage, personal injury and/or death.

**PRIOR TO EVERY USE:** ❶ Check fluid level in highest helm (consult Owner's Manual). ❷ Verify immediate steering response when turning steering wheel(s). ❸ Inspect all steering hoses and fittings for wear, kinking and/or leaks. ❹ Check for binding, loose, worn or leaking steering components. **DO NOT OPERATE BOAT IF ANY COMPONENT IS NOT IN PROPER WORKING CONDITION.**

**INSTALLATION, USE AND MAINTENANCE:** ❶ Interference with any object **MUST** be corrected prior to use (consult Installation Manual). ❷ Maintain steering system at a minimum of twice per year. ❸ Refer to your Owner's Manual for important safety information. ❹ Ensure steering cylinder is compatible with outboard engine and U.S.C.G ratings.

ISO10592  **ABYC** MADE BY DOMETIC, RICHMOND, BC, CANADA [www.dometic.com](http://www.dometic.com) 929100 SeaStar

**SEASTAR™**


 **HC5358-3-XXXXXXX** BY  **DOMETIC**

**PART# HC5358-3**  
**SEASTAR OUTBOARD STEERING CYLINDER 10.3 MPa (1500psi) MAX.**

**⚠ WARNING** Failure to adhere to these warnings may result in loss of steering control, leading to possible ejection from vessel causing property damage, personal injury and/or death.

**PRIOR TO EVERY USE:** ❶ Check fluid level in highest helm (consult Owner's Manual). ❷ Verify immediate steering response when turning steering wheel(s). ❸ Inspect all steering hoses and fittings for wear, kinking and/or leaks. ❹ Check for binding, loose, worn or leaking steering components. **DO NOT OPERATE BOAT IF ANY COMPONENT IS NOT IN PROPER WORKING CONDITION.**

**INSTALLATION, USE AND MAINTENANCE:** ❶ Interference with any object **MUST** be corrected prior to use (consult Installation Manual). ❷ Maintain steering system at a minimum of twice per year. ❸ Refer to your Owner's Manual for important safety information. ❹ Ensure steering cylinder is compatible with outboard engine and U.S.C.G ratings.

ISO10592  **ABYC** MADE BY DOMETIC, RICHMOND, BC, CANADA [www.dometic.com](http://www.dometic.com) 929107 SeaStar

**SEASTAR™**  
**PRO**

 **HC6345-3-XXXXXXX** BY  **DOMETIC**

**PART# HC6345-3**  
**OUTBOARD STEERING CYLINDER 10.3 MPa (1500psi) MAX.**

**⚠ WARNING** Failure to adhere to these warnings may result in loss of steering control, leading to possible ejection from vessel causing property damage, personal injury and/or death.

**PRIOR TO EVERY USE:** ❶ Check fluid level in highest helm (consult Owner's Manual). ❷ Verify immediate steering response when turning steering wheel(s). ❸ Inspect all steering hoses and fittings for wear, kinking and/or leaks. ❹ Check for binding, loose, worn or leaking steering components. **DO NOT OPERATE BOAT IF ANY COMPONENT IS NOT IN PROPER WORKING CONDITION.**

**INSTALLATION, USE AND MAINTENANCE:** ❶ Interference with any object **MUST** be corrected prior to use (consult Installation Manual). ❷ Maintain steering system at a minimum of twice per year. ❸ Refer to your Owner's Manual for important safety information. ❹ Ensure steering cylinder is compatible with outboard engine and U.S.C.G ratings.

ISO10592  **ABYC** MADE BY DOMETIC, RICHMOND, BC, CANADA [www.dometic.com](http://www.dometic.com) 929300 SeaStar

**ENGINE JACK PLATE ⚠ WARNING**

Check for cylinder and/or hose fitting interference with transom/jack plate, or loss of steering may occur. Refer to instructions.

Figure 1.

# INTRODUCTION

---

## Important Information/Technical Support Contact

Before proceeding with the installation, read these instructions thoroughly. Dometic cannot accept responsibility for installations where instructions have not been followed, where substitute parts have been used, or where modifications have been made to our products.

## NOTICE

*Due to a small amount of internal hydraulic slip, a “master spoke” or “centered” steering wheel cannot be maintained with a hydraulic steering system. For best results, use an equal distance spoke steering wheel. SeaStar Pro Helm Pumps are not 100% locking and therefore, a small amount of hydraulic drift is normal.*

## WARNING

**DO NOT use a wire coil type trim switch with a hydraulic steering system. Wire coil can wind up tight around the steering wheel shaft and prevent further steering!**

**Pro Trim** offers fingertip trim or jackplate control with a column-mounted switch, enabling you to keep both hands on the steering wheel and concentrate on your driving. Pro Trim PT1000 controls trim or jackplate only. Pro Trim Dual PT2000 controls both functions.

To assist with the installation and maintenance of this steering system, Dometic recommends that;

- You read and understand ALL installation manuals before you start the installation process (cylinders, helms, power assist, etc.). Knowing the correct order of installation and location of components will drastically reduce installation time as well as inform you of common installation errors.
- Read and understand ALL Safety Information that is noted in this manual and ALL other Installation Manuals.

If you run into any problems before, during or after the installation of the steering system, please contact Technical Support for assistance.

### Technical Support

Web: [www.dometic.com](http://www.dometic.com)

Email: [marinesupport@dometic.com](mailto:marinesupport@dometic.com)

Phone: 1.800.730.4082

Fax: 604.279.2202

---

## Parts List

Before proceeding, confirm that you have all the necessary components required to complete the installation of the steering system.

- Helm Pump(s)
- Power Assist and Autopilot Pumps (if applicable)
- Steering Hoses
- Steering Cylinder(s)
- Tiebar(s)
- Hardware Kits
- Appropriate Fittings
- Fluid *NOTE: SeaStar recommends the use of SeaStar Steering Fluid ONLY.*
- Steering Wheel(s)

---

## Tools Required

You will need the following tools to complete your installation.

- 7/16", 1/2", 9/16", 5/8" and 3/4" Open End type Wrench/Spanner

### Additional tools needed

- 5/16" (8 mm) dia. Drill Bit
- 15/16" Socket for SeaStar helms wheel shaft nut
- 1" Hole Saw for Rear Mount helms
- 3" Hole Saw for Front Mount, Sport and Sport Plus helms
- 4" Hole Saw for Classic Tilt helms

**Cylinder, Outboard Front Mount Type**

- 5/8", 3/4", 1/2", 9/16" Wrench/Spanner, Box or Open End type, 2 required.
- 5/32" Allen Key/Wrench

**20° Mount Wedge**

- Key Hole or Sabre Saw
- 5/16" (8 mm) dia. Drill Bit
- 1/2" Wrench/Spanner, Box or Open End type
- 7/16" Socket and Drive

**NOTICE**

Additional tools may be required for the following;

- removal of existing steering components (mechanical steering systems).
- engine removal for installation of support rod.

**Front Mount  
Outboard Installation  
Recommendations**

Outboard recommendations made in this section are based on our experience with typical installations, applications and usage. Ensure you select the system which provides the best comfort versus performance. It is the boat manufacturer and the installer's responsibility to ensure the components selected are sufficiently validated on the boat for safe and acceptable operation. DO NOT use SeaStar steering in applications they are not intended for.

	NORMAL USE	AGGRESSIVE USE (SEE NOTE 1)
<b>ENGINE</b>	<b>SEASTAR FRONT MOUNT</b>	<b>SEASTAR TOURNAMENT SERIES</b>
<b>SINGLE ENGINE</b>	<b>SINGLE CYLINDER</b> 350 HP Max 75 MPH Max HC53xx-3 Cylinder (See Note 2)	<b>SINGLE CYLINDER</b> 350 HP Max HC63xx-3 Pro Cylinder (See Notes 2 & 3) or HC6845S
<b>DUAL ENGINE NON COUNTER ROTATING</b>	<b>SINGLE CYLINDER</b> 450 HP Max 55 MPH Max HC53xx-3 Cylinder HO60xx Tie Bar	<b>SINGLE CYLINDER</b> Tournament Cylinders (Visit <a href="http://www.dometic.com">www.dometic.com</a> or see application guide)
	<b>DUAL CYLINDER</b> 600 HP Max HC53xx-3 Cylinders HO60xx Tie Bar	<b>DUAL CYLINDER</b> Tournament Cylinders (Visit <a href="http://www.dometic.com">www.dometic.com</a> or see application guide)
<b>DUAL ENGINE COUNTER ROTATING</b>	<b>SINGLE CYLINDER</b> 600 HP Max 55 MPH Max HC53xx-3 Cylinder HO60xx Tie Bar	<b>SINGLE CYLINDER</b> Tournament Cylinders (Visit <a href="http://www.dometic.com">www.dometic.com</a> or see application guide)
	<b>DUAL CYLINDER</b> 600 HP Max 55 MPH Max HC53xx-3 Cylinders HO60xx Tie Bar	<b>DUAL CYLINDER</b> Tournament Cylinders (Visit <a href="http://www.dometic.com">www.dometic.com</a> or see application guide)

1. SeaStar has specific steering equipment for boats that are driven aggressively, used in severe conditions or with more than 300 HP per engine.

2. ALL ENGINES must use a high strength tiller bolt, kit part # HA5822. All front mount cylinders built after June 15, 2007 will have this high strength bolt included in the box High strength tiller bolts can be identified by the marking "SEASTAR ARP" or "DOMETIC" on the head of the bolt.

3. HC63xx PRO Cylinders are designed for all those critical high speed, single outboard engine boats, such as Bass, Flats combo Race/Ski and other performance orientated boats capable of speeds in excess of 65 mph. For optimal performance, the use of SeaStar PRO helms and PRO Hoses are recommended.



# SYSTEM OVERVIEW

Before attempting installation, ensure that the splashwell of your boat has the following minimum dimensions.

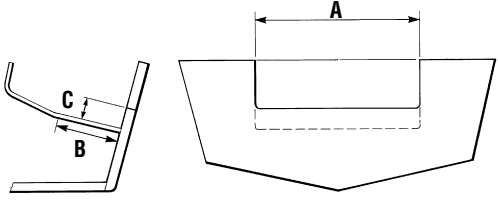
## Minimum Splashwell Dimensions

# OF ENGINES	A	B	C	MIN. ENGINE CENTER DISTANCE
1	22" (559 mm)	6" (152 mm)	5" (127 mm)	N/A
2	44" (1118 mm)	6" (152 mm)	5" (127 mm)	26" (660 mm)

**NOTE:**

a) Dimensional restrictions also apply to external motor mount brackets.

b) Maximum engine center distance for twin engine applications is 36" (914 mm) using the standard tie bar. Dimension 'A' would have to be increased proportional to the tie bar length.



## Front Mount Cylinder

Part # HC5345-3, HC5347-3, HC5348-3, HC5358-3, HC5375-3, HC5445-3, HC6345-3, HC6358-3.

Splashwells of less than 52" in overall width may require engine removal in order to install the support rod (Part # HP6016).

### NOTICE

Engine may need to be removed for proper cylinder maintenance.

### Dimensional Specifications

Dimensions shown in figure 2 are the same for all part numbers. Pivot plate dimensions vary between part numbers.

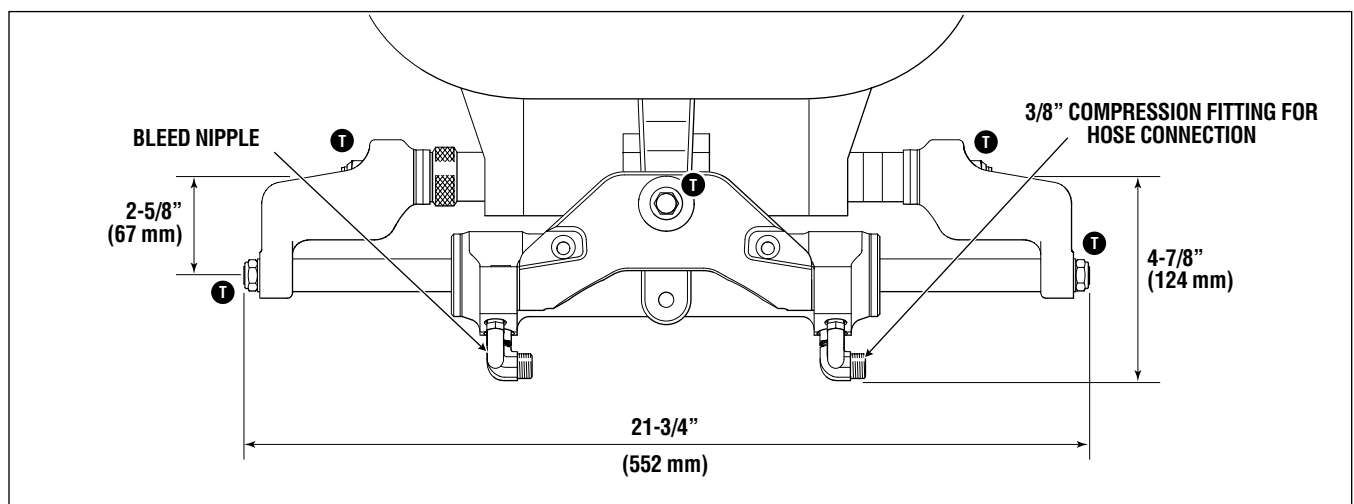


Figure 2.

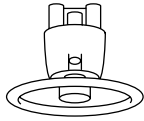
**T** Ensure correct Torque at these points, see page 33 for Torque specifications.

### CAUTION

-3 steering cylinders and -4 helms are fitted with ORB hose fittings. DO NOT use NPT fittings. Irreparable damage to cylinder WILL occur.

# System Installation Overview

HELM



## STEP 1 System Installation

- Install SeaStar helm pump onto dash using the installation instructions provided with your helm pump. To ease installation it is good practice to install hose fittings into helm pump prior to installing helm onto dash.

### ⚠ WARNING

**Ensure that you read and understand ALL cautions, notices and warnings that are noted in your helm pump installation instructions.**

CYLINDER

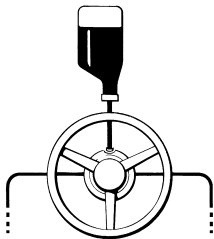


- Install SeaStar Steering Cylinder as outlined on page 9 of this manual.
- Install Ground Strap as outlined on page 11 of this manual.
- Install steering hoses as outlined on page 7 of this manual.

### ⚠ CAUTION

**-3 steering cylinders and -4 helms are fitted with ORB hose fittings. DO NOT use NPT fittings. Irreparable damage to cylinder WILL occur.**

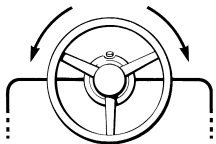
## STEP 2 Filling and Purging Procedure



- Refer to fill and purge procedures as outlined on page 23 of this manual.

**NOTE:** Power Assist and Catamaran users please use bleeding details included with your Power Assist or, Liquid Tiebar Installation Instructions.

## STEP 3 Oil Level and System Check

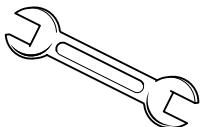


- Refer to page 28 of this manual for setting oil level in helm pump and performing the “system pressure test” to ensure steering system is ready for use.

### ⚠ WARNING

**Oil level and System check is critical to the safe operation of your boat, failure to follow this important step may lead to loss of steering control resulting in property damage, personal injury and/or death.**

## STEP 4 Routine Maintenance



- Refer to page 29 of this manual to become familiar with the routine maintenance that **MUST** be carried out in the intervals noted.

# HYDRAULIC HOSE INSTALLATION

Steering hoses and how they are installed are critical to the safe operation of your steering system. Dometic recommends the use of SeaStar steering hoses only. Use of any other hose may drastically reduce system performance and safety.

## ⚠ WARNING

**DO NOT cut SeaStar steering hoses, cutting these hoses will render them useless.**

Before continuing on with the installation of your steering hoses, please ensure that you read and understand the important points shown below;

- DO NOT install any pipe sealant onto the “hose” side of a fitting or on either side of an ORB fitting.
- DO NOT remove protective end covers until the hoses have been routed and are ready to be connected to the helm pump, hose fitting or steering cylinder(s).
- Before, during and after installation the hoses MUST be protected from chaffing, rubbing, and contact or interference with assembly screws or sharp edges of any type.
- DO NOT install hoses where they will be directly exposed to high heat, such as manifolds and engines, or highly corrosive areas such as battery fumes or electrical components.
- If possible, route hoses through a protective PVC cover.
- Secure hoses in min. 2’ increments using suitable hose trays, protective shields or appropriately sized non-marking, non-constricting rubberized ‘P’ clamps.
- DO NOT bend hoses tighter than a 3-1/2” (89 mm) radius.
- Provide sufficient hose lengths to allow for cylinder movement throughout the turning arc and UP/DOWN trim/tilt settings of the engine(s).
- DO NOT allow hoses to hang free in an area where they could become a safety hazard.
- DO NOT use extruded nylon tubing for plumbing a SeaStar outboard system. Extruded nylon tubing can only be used for return/compensating lines between power assist and/or autopilot pumps and the helm pump.
- Where possible, route hoses in an area where they can be easily inspected for wear on a regular basis.

## ⚠ CAUTION

**-3 steering cylinders are fitted with ORB hose fittings. DO NOT use NPT fittings, irreparable damage to cylinder WILL occur.**

## ⚠ CAUTION

**-4 helm pumps are fitted with positionable O-ring style hose fitting ports (referred throughout this manual as ORB). -4 fittings are exactly the same as -3 fittings. Do NOT attempt to install an NPT pipe fitting into a -4 helm hose fitting port. Doing so will lead to irreparable damage to the helm. ONLY use Dometic O-ring style hose fittings (ORB).**

## ⚠ WARNING

**Continuous kinking, rubbing, chafing or twisting of a steering hose may eventually weaken the hose(s) to a point where it could rupture. Rupture of a hose will lead to loss of steering control.**

## STEP 1 Set Up

- See figure 3 on the next page to locate your plumbing diagram.
- Mark each end of the hose to ensure proper connection.

## NOTICE

*Hoses are crossed from the helm pump(s) to the steering cylinder(s). Port side helm connection will be installed onto the starboard fitting on the cylinder, and the Starboard side helm connection will be installed onto the port side fitting on the cylinder.*

## STEP 2 Routing

**Throughout the hose installation, ensure the protective caps remain installed onto the end of the hoses. Doing so will prevent contamination from entering the system.**

- Route steering hoses so that the hose bend restrictor will be located at the steering cylinder(s).
- Route steering hoses so that they have a gradual rise from the steering cylinder(s) to the helm pump.

- If routing hoses through a blind area, ensure that the area is free and clear of any sharp edge, screw or any other object that may damage the hose.
- Secure hoses every 2'.

## ⚠ WARNING

1. Minimum hose bend radius 3-1/2" (89 mm).
2. If orientation is required, see page 10 for ORB Hose fitting installation/realignment.
3. Hoses should be secured to the control cable harness if they enter the splashwell through the boot.

Substituting brass fittings into the steering cylinder will result in galvanic corrosion and irreparable damage to the cylinder as well as affect system integrity.

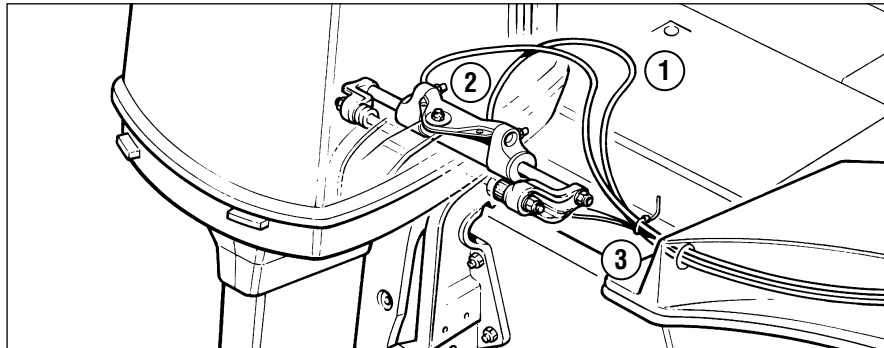


Figure 3.

## STEP 3

### Hose to fitting installation

- Remove protective covers.
- Install hose end fitting onto intended fitting, tighten hand tight.
- While holding the receiving fitting with a wrench, tighten hose fitting to 15ft-lb.

## ⚠ WARNING

When installed, confirm that the hoses are not being pulled or kinked over by pushing the engine(s) back and fourth. Hoses must NOT be pulled on at any time.

## NOTICE

Power Assist and Catamaran systems must refer to the installation instructions included with the power assist and/or liquid tiebar valve.

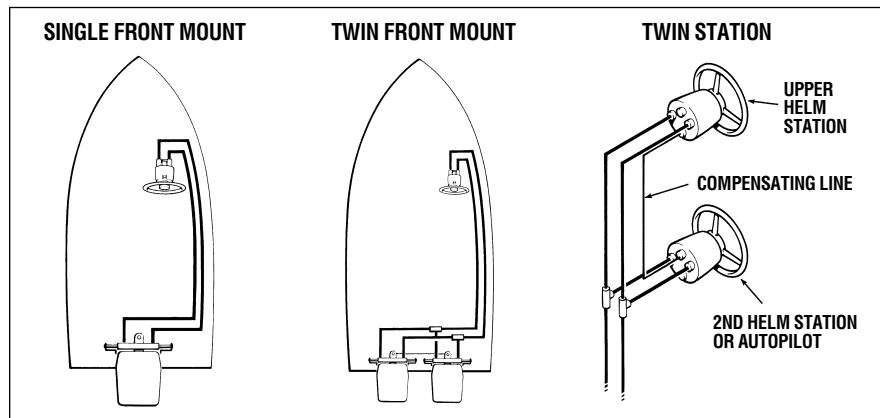


Figure 4.

## Hose Inspection

**DO NOT** operate the vessel if ANY of the following are observed:

- fitting slippage on hose
- damaged, cracked, cut or abraded cover (or any reinforcement exposed)
- hard, stiff, heat cracked, or charred hoses
- cracked, damaged, or badly corroded fittings
- leaks at fitting, or in hose
- kinked, crushed, flattened or twisted hose
- blistered, soft, degraded, or loose cover.

# INSTALLATION INSTRUCTIONS

## Front Mount Cylinders

HC5345-3, HC5347-3, HC5348-3, HC5358-3, HC5375-3, HC5385-3, HC5445-3 and HC6345-3.

### NOTICE

Installation of PRO and Catamaran cylinders are similar to that of the front mount cylinders. Notes will be made when differences occur. For Tournament Cylinders please refer to Installation Book 48 included with your Tournament steering cylinder.

On the following pages of this instruction booklet you will find the assembly drawing for your specific application.

### NOTICE

Before beginning installation make sure that all mounting hardware is included and that the tiller arm and tilt tube bolt holes are clean & free from rust or burrs.

### ⚠ CAUTION

**Engines with rigid engine mounts have been shown to cause premature wear to the pivot cylinder—therefore, please perform a complete inspection of your steering system as outlined in the Maintenance Section at the back of this manual.**

## Single Engines

### NOTICE

Please refer to the table below if using any PRO, Catamaran or stroke reduced cylinders. Installation will be the same as that shown, any changes will be noted when required.

Cylinder Part #	Install as per Cylinder Part #
HC6345-3	HC5345-3
HC5375-3	HC5345-3
HC5445-3	HC5345-3
HC6358-3	HC5358-3

### ⚠ WARNING

Refer to page 33 for the correct torque specifications for your installation. Failure to correctly install your steering cylinder and torque all screws may result in steering failure causing property damage and/or personal injury.

### ⚠ CAUTION

**STEP 1:** Using an approved marine grease such as Sierra Pro performance, Sierra Hydro Defense, quicksilver marine grease, Yamaha marine grease, or an equivalent, liberally lubricate the tilt tube and support rod (Item 9) and slide the support rod through the engine tilt tube.

**STEP 2:** Lightly grease the tiller bolt (Item 2) & partially screw into appropriate hole in the tiller arm to assure a proper fit. Remove and go to Step 3.

**⚠ WARNING** If the engine manufacturer has installed caps, plugs and/or screws into the tiller arm, these caps, plugs and/or screws **MUST** be removed prior to continuing on with installation.

**STEP 3:** Select appropriate insert diagram from page 13 to page 15 to determine proper orientation of the cylinder assembly, the tiller bolt and self locking nut (Items 13, 2 and 1). Grease tiller bolt as indicated and fully thread tiller bolt (Item 2) into the steering arm. While holding the head of the tiller bolt with a wrench, tighten and torque tiller nut (Item 1) as specified on page 33.

**⚠ WARNING** It is required that the tiller bolt head is held in place with a wrench while tightening the tiller nut to proper torque specification. Failure to do so may result in loss of steering control causing property damage, personal injury and/or death.

**STEP 4:** a) Screw the adjusting nut (item 10) all the way onto the tilt tube. b) Place the stainless washers (Item 11) and the plastic spacers (Items 7 & 8) on the support rod.

**⚠ CAUTION** Refer to your specific application figure for proper orientation of spacers on both sides of the engine tilt tube.

**STEP 5:** Attach and secure support brackets (Item 12) to the support rod and the cylinder shaft. Tighten using the nuts, bolts and washers (Items 3, 4, 5 & 6) as illustrated in application figures.

**STEP 6:** Eliminate the free play in the support rod by turning the adjusting nut (Item 10) counter clockwise until snug. Never use a wrench on the adjusting nut. Always hand tighten. Lock the adjusting nut in place by tightening the Hexagon set screw. **DO NOT TIGHTEN UNTIL ALL FASTENERS ARE TIGHTENED TO THE CORRECT TORQUE.**

If installing a jack plate make sure that there isn't any interference between the jack plate and your steering cylinder. If there is interference, it may occur during full tilt and you should install lift restrictors (Tilt Stop Switch). Some engine manufacturers supply these as standard equipment.

# Positional O-Ring Horizontal and Vertical Tee Fitting Installation/ Realignment

## **⚠ CAUTION**

**DO NOT attempt to install NPT pipe fittings into the cylinder hose fitting ports. Doing so will lead to irreparable damage to the cylinder. ONLY use ORB hose fittings provided by Dometic.**

### **Cylinder Fitting Installation** *(If required.)*

1. Back off lock nut (item 1, figure 5), counter-clockwise, until it stops.
2. Thread fitting into cylinder body until fitting washer (item 2, figure 5) contacts the face of the cylinder port. Tighten hand tight, **DO NOT TORQUE FITTING AT THIS TIME.**
3. Position fitting to desired orientation by turning it counter-clockwise to a **MAXIMUM** of 1 full turn.
4. While holding fitting with a wrench, tighten the locknut (item 1, figure 5) and torque to 40–43 ft-lb.
5. Purge system as per your cylinder instruction manual.

## **⚠ WARNING**

**Failure to properly tighten the lock-nut (item 1) may lead to loss of steering control. Loss of steering control may result in unpredictable boat behavior, collision with an obstacle and/or ejection from vessel, leading to property damage, personal injury and/or death.**

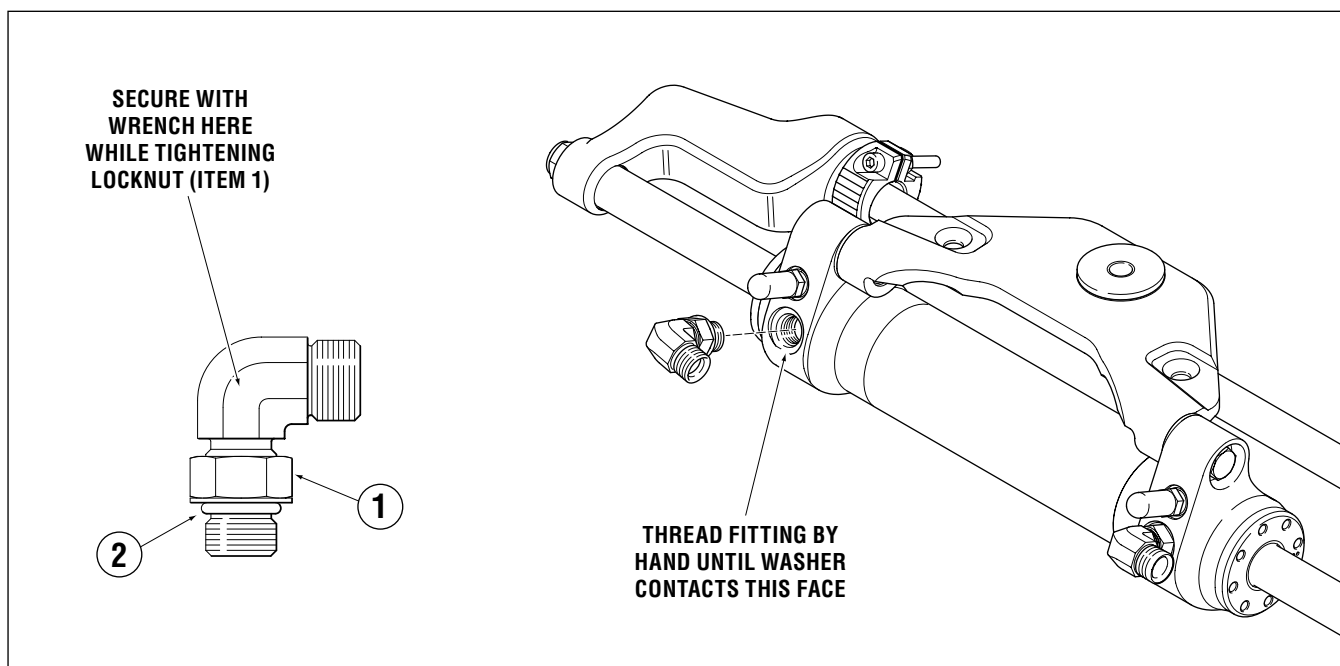


Figure 5.

## **⚠ WARNING**

**Dometic recommends that the hose and hose fittings are checked on a regular basis to ensure the safe operation of the steering system.**

# Ground Strap Installation

Dometic strongly recommends use of a ground strap on any outboard hydraulic steering cylinder with an exposed shaft (such as SeaStar front mount steering cylinders). This ground strap will provide added protection against corrosion caused by stray current.

## Installation Details

- Install ground strap to cylinder as per figure 6.
- Reinstall cylinder and support rod nuts, torque to the following
  - i) cylinder shaft nut = 33 ft-lb.
  - ii) support rod shaft nut = 45 ft-lb.
- Route ground strap UNDER the tilt tube and attach loose end of strap to the starboard side lower midsection steering bracket bolts using the correct fasteners.
- Ensure there is enough slack in the strap to allow the engine to pivot freely in ALL trim/tilt positions and throughout the entire steering range of the engine.

## ⚠ CAUTION

Ensure ground strap is routed 'under' the tilt tube. Installation of the strap 'above' the tilt tube may lead to a hang up, or restriction.

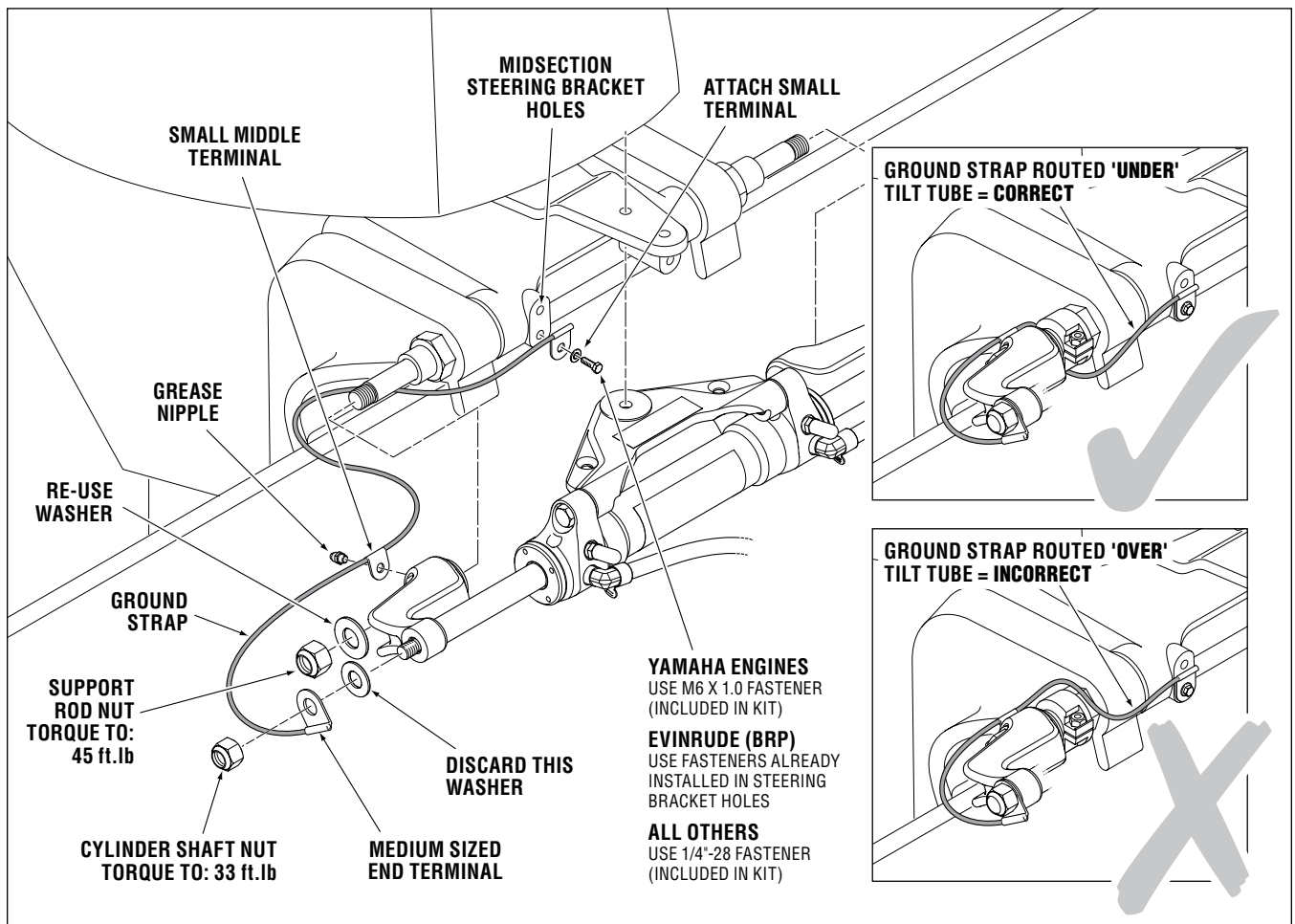


Figure 6. Ground Strap Installation.

# SeaStar Pro Cylinder

## Part # HC6345-3 and HC6358-3

### Installation Instructions for Keyed support rod to Keyed Bracket

1. Refer to steps 1–4 as shown on page 9 of this installation manual.
2. Place the supplied square 3/16" woodruff keys in both sides of the support rod.
3. Install support brackets onto the support rod ensuring the woodruff keys are in place.
4. Continue with step 6 on page 9 of this manual.

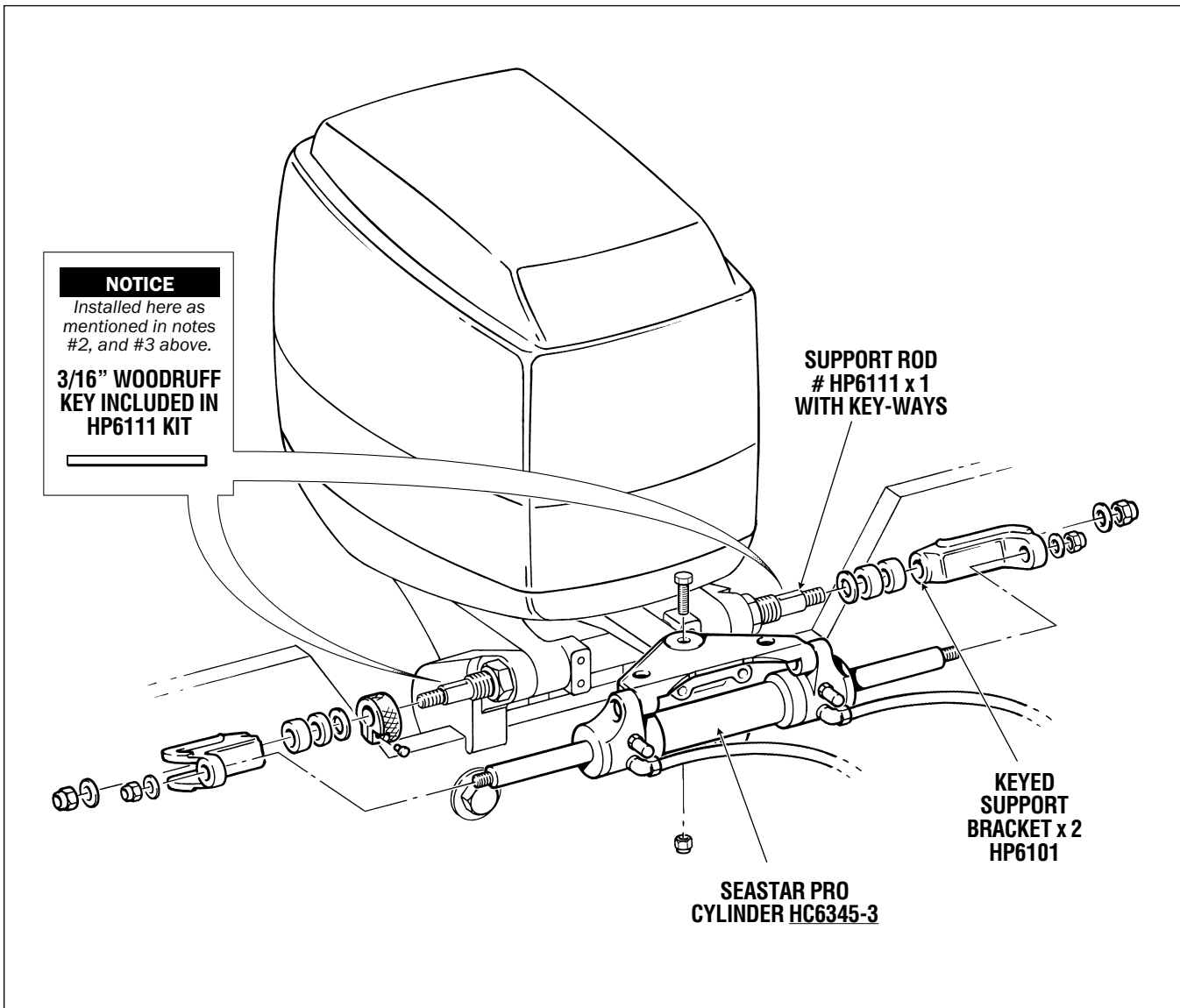


Figure 7. (HC6345 Cylinder Shown.)





**⚠ WARNING** Refer to page 33 for correct torque specifications of all installation hardware.

ENGINE MANUFACTURER	YEAR	MODEL	CYLINDER	NOTE
<b>HONDA</b>	1992 TO DATE	30–60 HP 4 Stroke	<b>HC5345-3</b>	Refer to Fig. 9a. Requires Spacer Kit HO5090
	1996 TO DATE	75–90 HP 4 Stroke	<b>HC5345-3</b>	Refer to Fig. 9a
	1998 TO 2009	115–130 HP 4 Stroke	HC5347-3	Refer to page 15 for Installation Instructions
	2001 TO 2022	BF200–250 4 Stroke	HC5445-3	
	2003 TO DATE	BF135–150 4 Stroke	<b>HC5345-3</b>	Refer to Fig. 9b
	2010 TO DATE	115 HP 4 Stroke	<b>HC5345-3</b>	
	2023 TO DATE	BF200–250 4 Stroke	<b>HC5345-3</b>	

Figure 9.

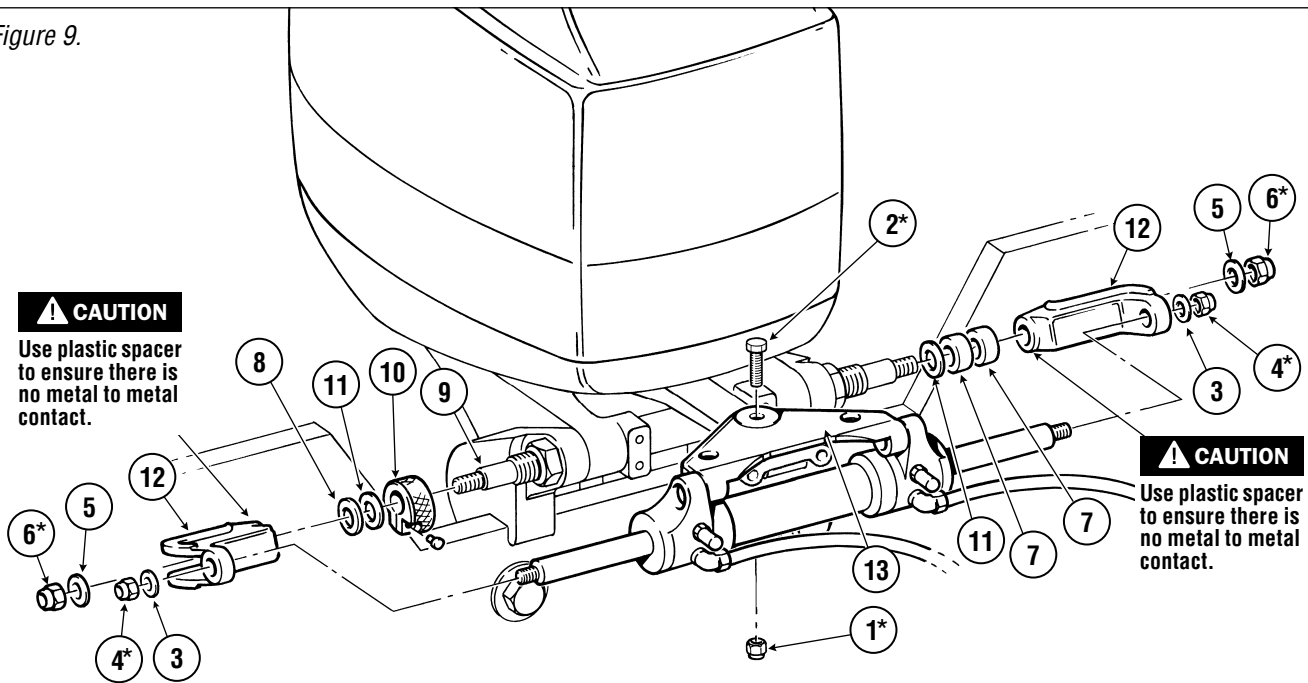
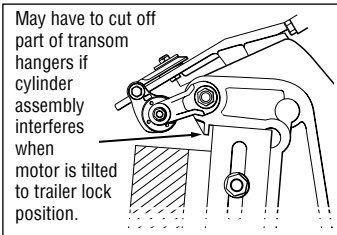
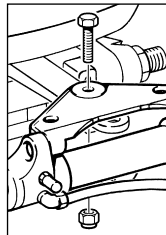


Figure 9a



Honda 1992 to Date 30–90 HP

Figure 9b



Honda 2010 to Date 115 HP

**⚠ WARNING**

Fully tilting the engine may cause the steering cylinder to interfere with the transom and/or splashwell. Possible damage to the steering system can result. Ensure that the cylinder is free from interference at all times.

\* Refer to page 33 for correct torque specifications.

ITEM	QTY	DESCRIPTION
*1	1	Nut, 3/8" NF Nylok® SS
*2	1	HHCS 3/8" UNJF x 1.35" HSS
3	2	Washer Flat, 7/16" SS
*4	2	7/16" NF Nylok® SS
5	2	Washer, Flat 1/2" SS
*6	2	Nut 1/2" NF Nylok® Ni plated brass
7	2	Spacer, Thick, Plastic
8	1	Spacer, Thin, Plastic

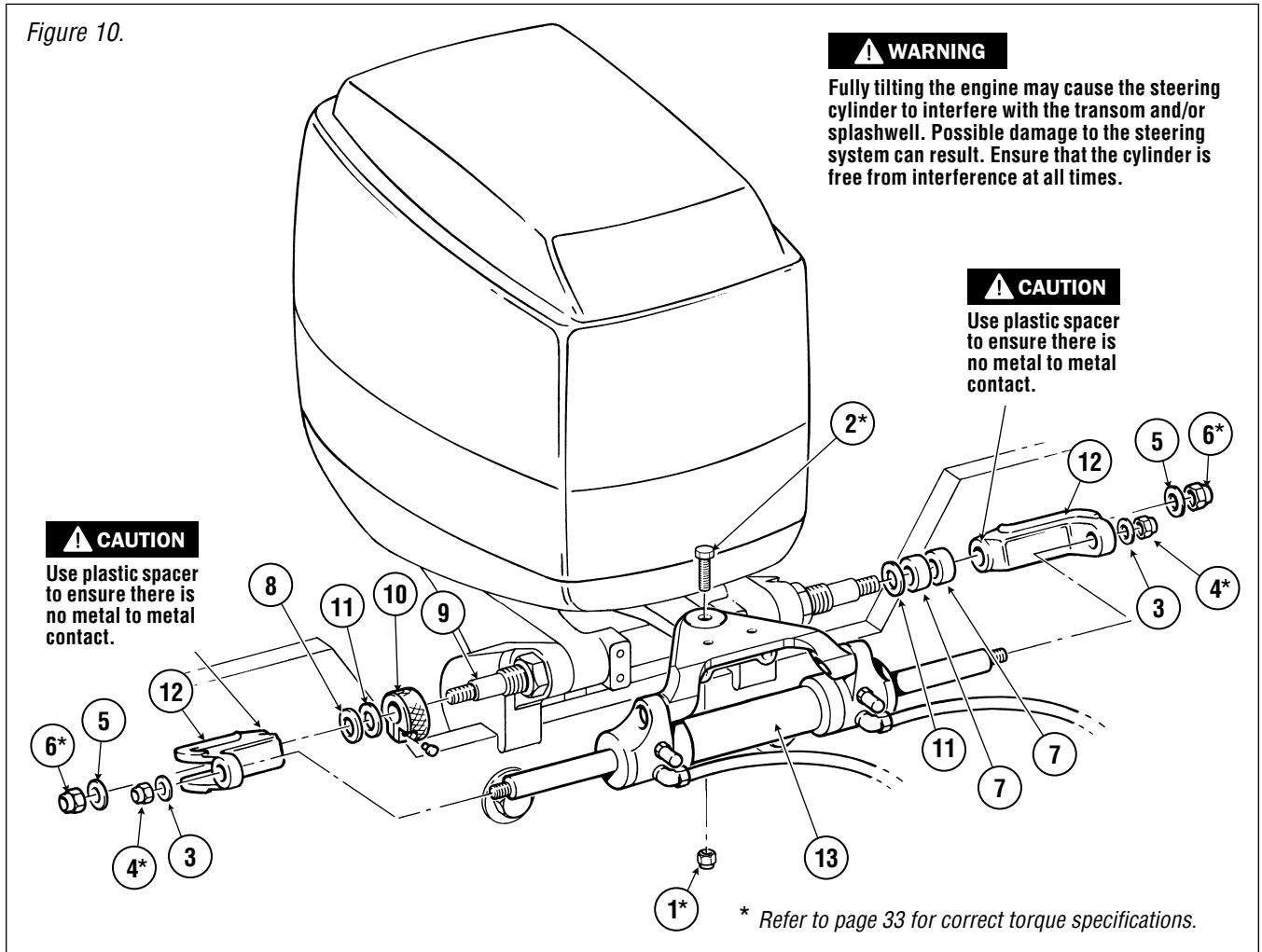
ITEM	QTY	DESCRIPTION
9	1	Support Rod
10	1	Adjusting Nut & Screw SS, Teflon Coated
11	2	Washer, Flat 5/8" SS
12	2	Support Brackets
13	1	Pivot Mount Cylinder
14	1	Spacer, Medium (Not used)

# For **HC5347-3** Cylinder Installation **ONLY**

**WARNING** Refer to page 33 for correct torque specifications of all installation hardware.

ENGINE MANUFACTURER	YEAR	MODEL	CYLINDER	NOTE
<b>HONDA</b>	1998 TO 2009	115–130 HP 4 Stroke	<b>HC5347-3</b>	
	2010 TO DATE	115 HP 4 Stroke	HC5345-3	Refer to page 14 for details

Figure 10.

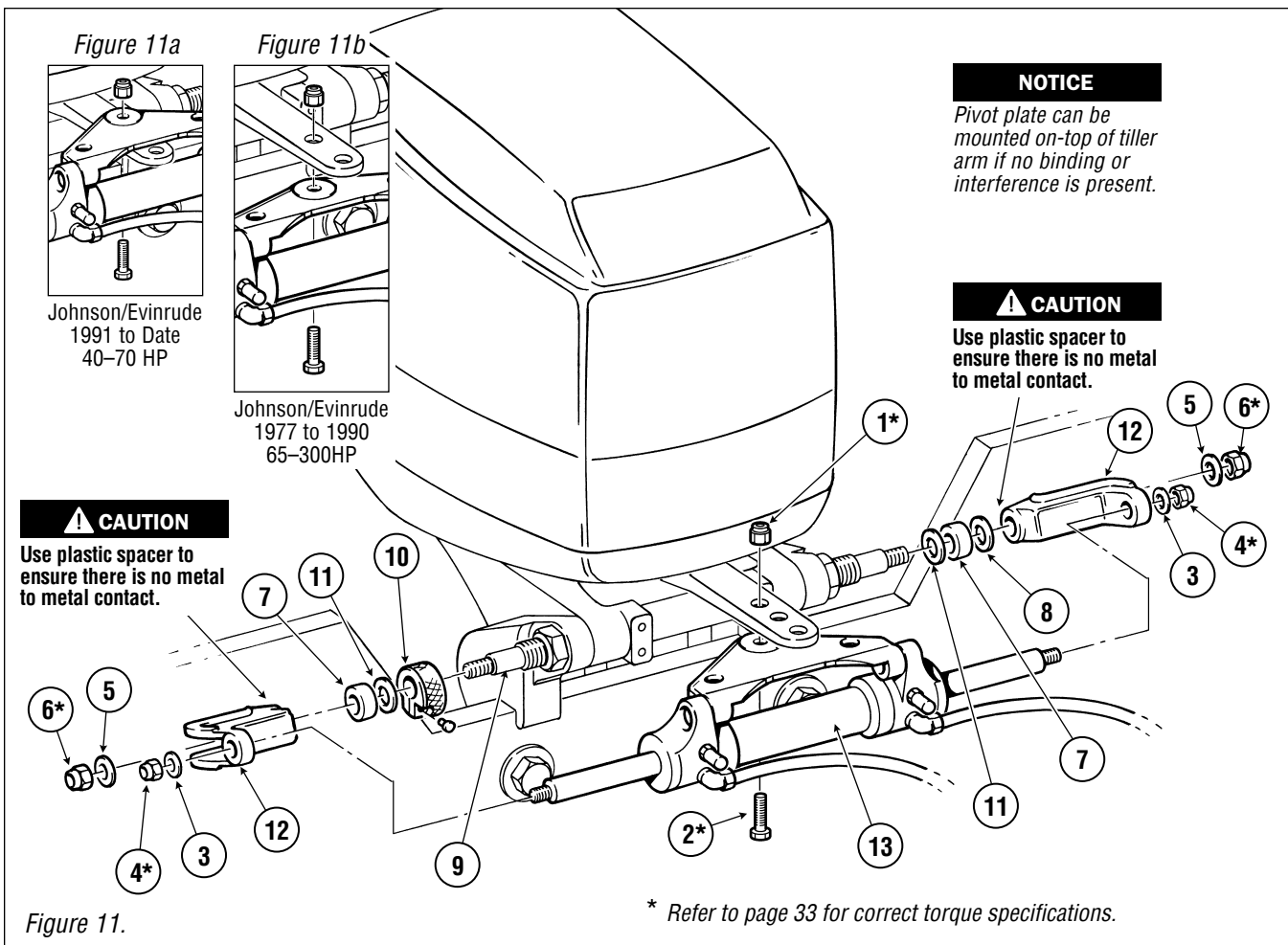


ITEM	QTY	DESCRIPTION
*1	1	Nut, 3/8" NF Nylok® SS
*2	1	HHCS 3/8" UNJF x 1.35" HSS
3	2	Washer Flat, 7/16" SS
*4	2	7/16" NF Nylok® SS
5	2	Washer, Flat 1/2" SS
*6	2	Nut 1/2" NF Nylok® Ni plated brass
7	2	Spacer, Thick, Plastic
8	1	Spacer, Thin, Plastic
9	1	Support Rod

ITEM	QTY	DESCRIPTION
10	1	Adjusting Nut & Screw SS, Teflon Coated
11	2	Washer, Flat 5/8" SS
12	2	Support Brackets
13	1	Pivot Mount Cylinder
14	1	Spacer, Medium (Not used)

**▲ WARNING** Refer to page 33 for correct torque specifications of all installation hardware.

ENGINE MANUFACTURER	YEAR	MODEL	CYLINDER	NOTE
<b>JOHNSON/EVINRUDE</b>	1977 TO 1990	65–300 HP 2 Stroke	HC5348-3	Refer to figure 11b
	1991 TO 2006	40–250 HP 2 Stroke	<b>HC5345-3</b>	Refer to figure 11a
	1997 TO 2006	75–300 HP FICHT	<b>HC5345-3</b>	
	1998 TO DATE	40–140 HP 4 Stroke	HC5358-3	Refer to figure 14b on page 19 for Installation Instructions. Requires Spacer Kit HO5090
	2007 TO DATE	200–250 HP 3.3L V6 250H.O.–300 HP 3.4L V6	<b>HC5345-3</b> <b>HC5345-3</b>	

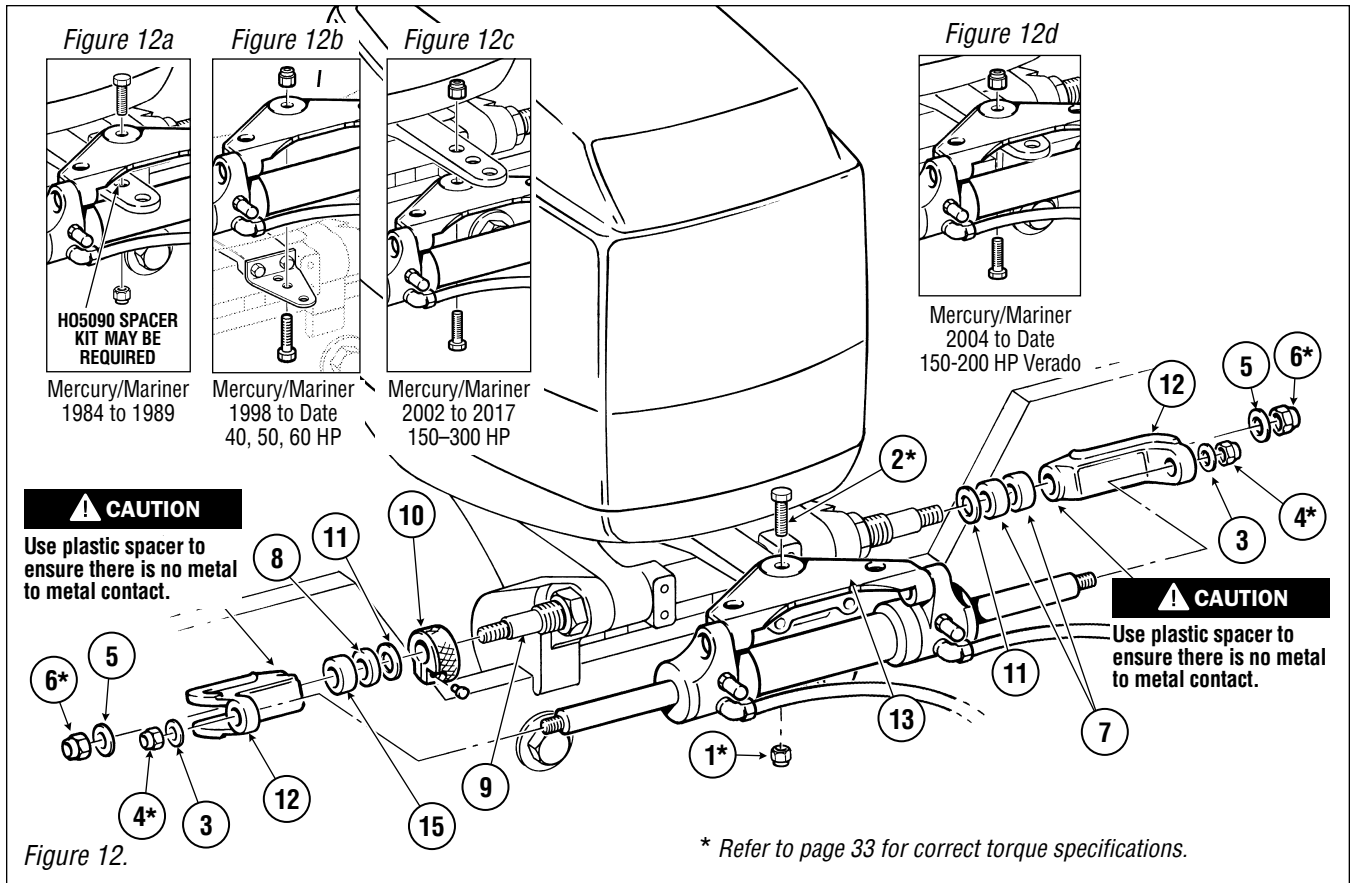


ITEM	QTY	DESCRIPTION
*1	1	Nut, 3/8" NF Nylok® SS
*2	1	HHCS 3/8" UNJF x 1.35" HSS
3	2	Washer Flat, 7/16" SS
*4	2	7/16" NF Nylok® SS
5	2	Washer, Flat 1/2" SS
*6	2	Nut 1/2" NF Nylok® Ni plated brass
7	2	Spacer, Thick, Plastic
8	1	Spacer, Thin, Plastic
9	1	Support Rod

ITEM	QTY	DESCRIPTION
10	1	Adjusting Nut & Screw SS, Teflon Coated
11	2	Washer, Flat 5/8" SS
12	2	Support Brackets
13	1	Pivot Mount Cylinder
14	1	Spacer, Medium (Not used)

**▲ WARNING** Refer to page 33 for correct torque specifications of all installation hardware.

ENGINE MANUFACTURER	YEAR	MODEL	CYLINDER	NOTE
<b>MERCURY/MARINER</b>	1984 TO 1989	75–250 HP 2 Stroke	<b>HC5345-3</b>	Refer to Fig. 12a
	1990 TO DATE	75–250 HP 2 Stroke	<b>HC5345-3</b>	
	1995 TO 1997	40, 50, 60 HP 2 Stroke	<b>HC5345-3</b>	Requires Spacer Kit H05090
	1998 TO 2008	40–60 HP 2 & 4 Stroke	<b>HC5348-3</b>	Requires Spacer Kit H05090
	2002 TO 2017	150–300 HP 2 Stroke PRO XS	HC6345-3	Refer to Fig. 12 or Fig. 12c
	2002 TO 2017	75–300 HP Optimax	<b>HC5345-3</b>	
	2004 TO 2017	150–200 HP Verado L4	<b>HC5345-3</b>	Refer to Fig. 12d
	2008 TO DATE	60 HP 4 Stroke	<b>HC5345-3</b>	
	2017 TO DATE	175–225 HP V6	<b>HC5345-3</b>	All CMS mid sections
	2017 TO DATE	115–300 HP PRO XS	HC6345-3	
	2018 TO DATE	250–300 HP V8	<b>HC5345-3</b>	All CMS mid sections
<b>TOHATSU</b>	1990 TO DATE	120–140 HP	<b>HC5345-3</b>	
	2003 TO DATE	150–250 HP	–	Refer to Honda chart on page 14

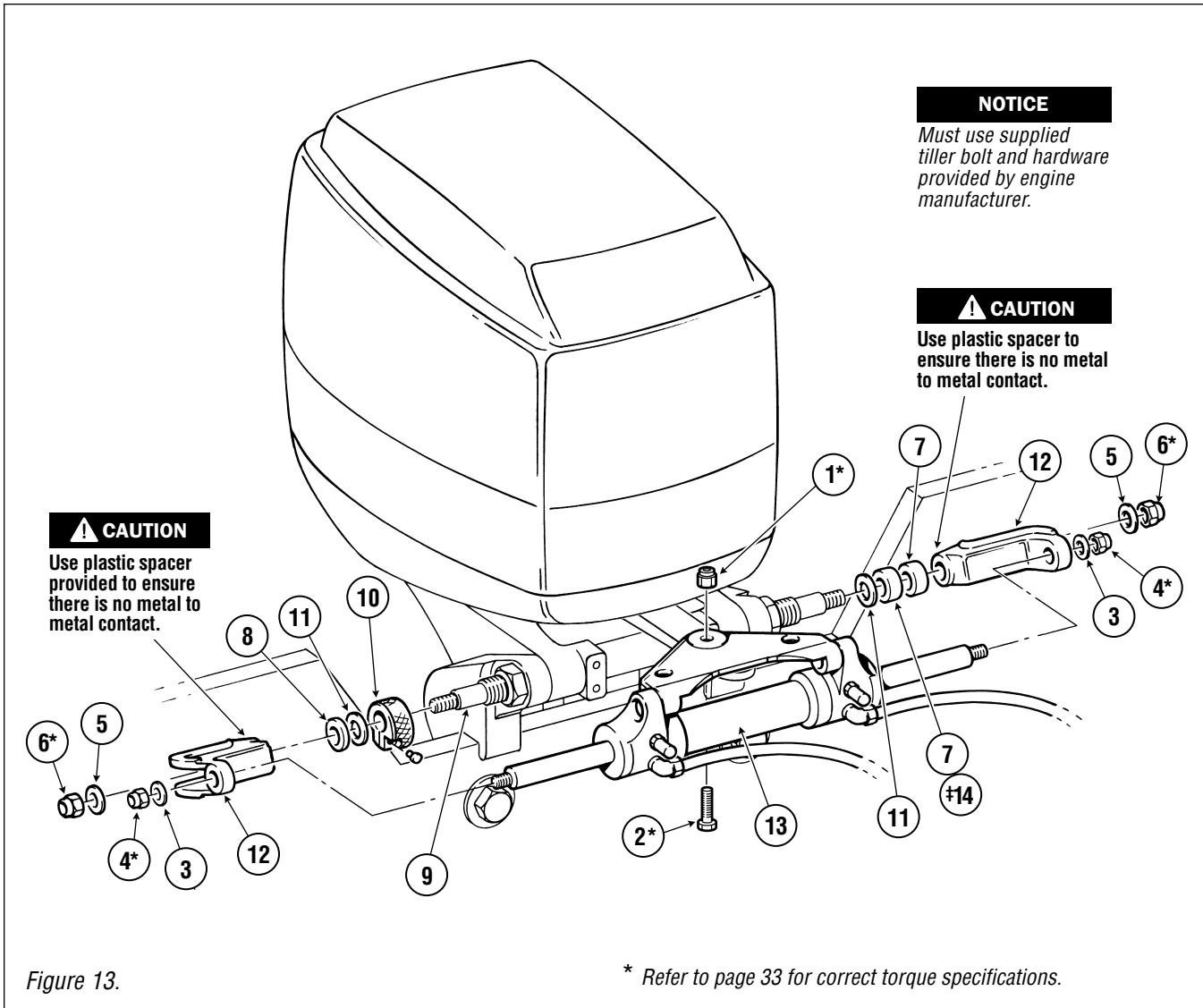


ITEM	QTY	DESCRIPTION
*1	1	Nut, 3/8" NF Nylok® SS
*2	1	HHCS 3/8" UNJF x 1.35" HSS
3	2	Washer Flat, 7/16" SS
*4	2	7/16" NF Nylok® SS
5	2	Washer, Flat 1/2" SS
*6	12	Nut 1/2" NF Nylok® Ni plated brass
7	2	Spacer, Thick, Plastic
8	1	Spacer, Thin, Plastic

ITEM	QTY	DESCRIPTION
9	1	Support Rod
10	1	Adjusting Nut & Screw SS, Teflon Coated
11	2	Washer, Flat 5/8" SS
12	2	Support Brackets
13	1	Pivot Mount Cylinder
14	1	Spacer, Medium (Not used)
*15	n/a	Refer to page 22 for specific spacer installation instructions.

**WARNING** Refer to page 33 for correct torque specifications of all installation hardware.

ENGINE MANUFACTURER	YEAR	MODEL	CYLINDER	NOTE
<b>OXE</b>	2017 TO DATE	200 HP Diesel I4 2.4L	<b>HC5345-3</b>	Must use HA6864 tiller bolt
	2020 TO DATE	300 HP Diesel	<b>HC5345-3</b>	Must use HA6864 tiller bolt

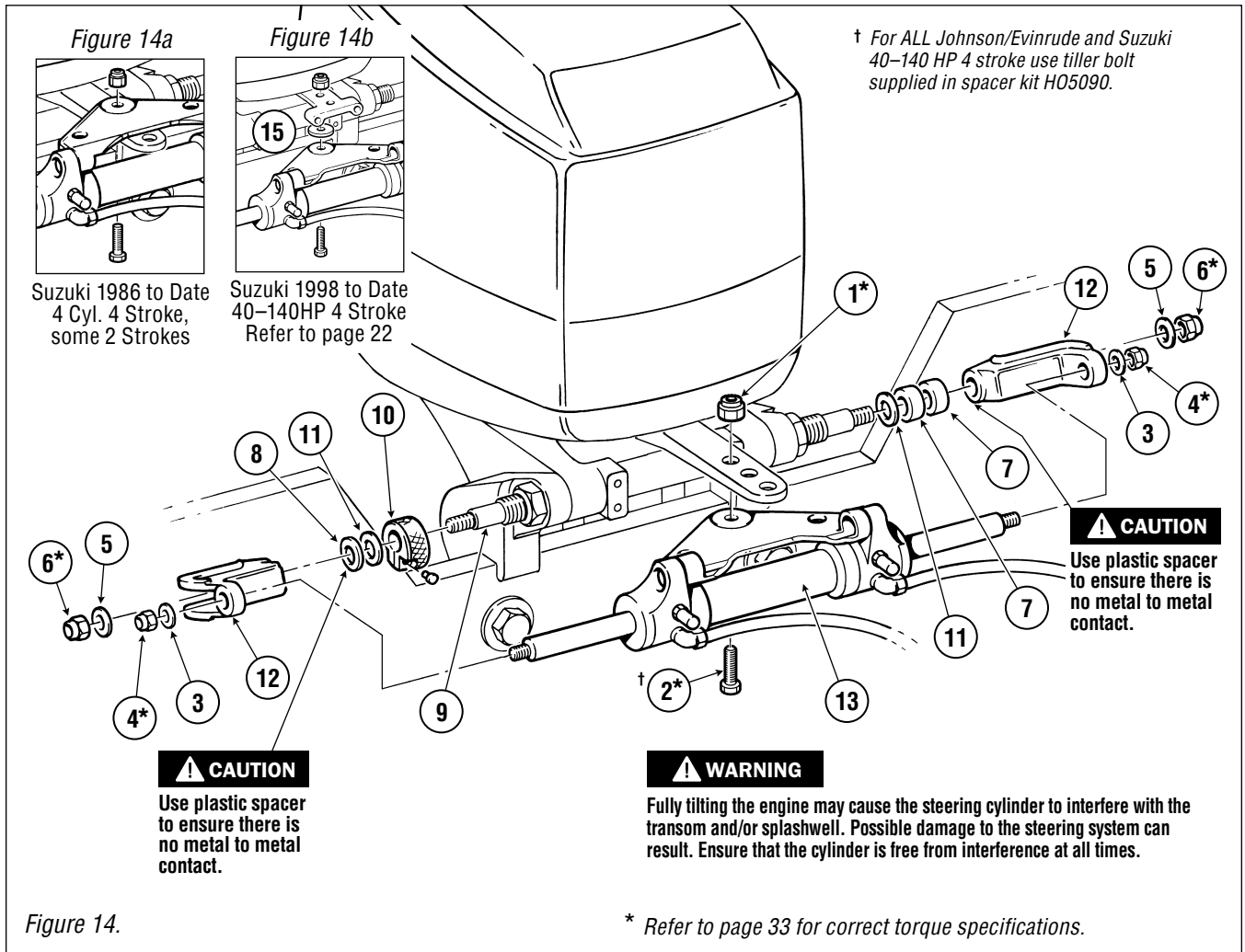


ITEM	QTY	DESCRIPTION
*1	1	Nut, 3/8" NF Nylok® SS
*2	1	HA6864 HHCS 3/8" NF x 1.5" HSS
3	2	Washer Flat, 7/16" SS
*4	2	Nut, 7/16" NF Nylok® SS
5	2	Washer, Flat 1/2" SS
*6	2	Nut 1/2" NF Nylok® Ni plated brass
7	2	Spacer, Thick
8	1	Spacer, Thin

ITEM	QTY	DESCRIPTION
9	1	Support Rod
10	1	Adjusting Nut & Screw SS, Teflon Coated
11	2	Washer, Flat 5/8" SS
12	2	Support Brackets
13	1	Pivot Mount Cylinder
†14	1	Spacer, Medium (Some 1996 to 1998)

**WARNING** Refer to page 33 for correct torque specifications of all installation hardware.

ENGINE MANUFACTURER	YEAR	MODEL	CYLINDER	NOTE
<b>SUZUKI</b>	1998 TO DATE	40–140 HP 4 Stroke, A & B series	<b>HC5358-3</b>	Refer to fig. 14b. Req. Spacer Kit H05090 Refer to page 22
	1986 TO DATE	150–225 HP 2 & 4 Stroke	HC5345-3	Refer to fig. 14a for locating on tiller
	2004 TO DATE	DF200–DF300 3.6–4.0L V6	<b>HC5358-3</b>	
	2013 TO DATE	150–200 HP 4 Cyl.	HC5345-3	Refer to fig. 14a
	2017 TO DATE	DF325–DF350 4.4L V6	<b>HC5358-3</b>	Single engine applications only

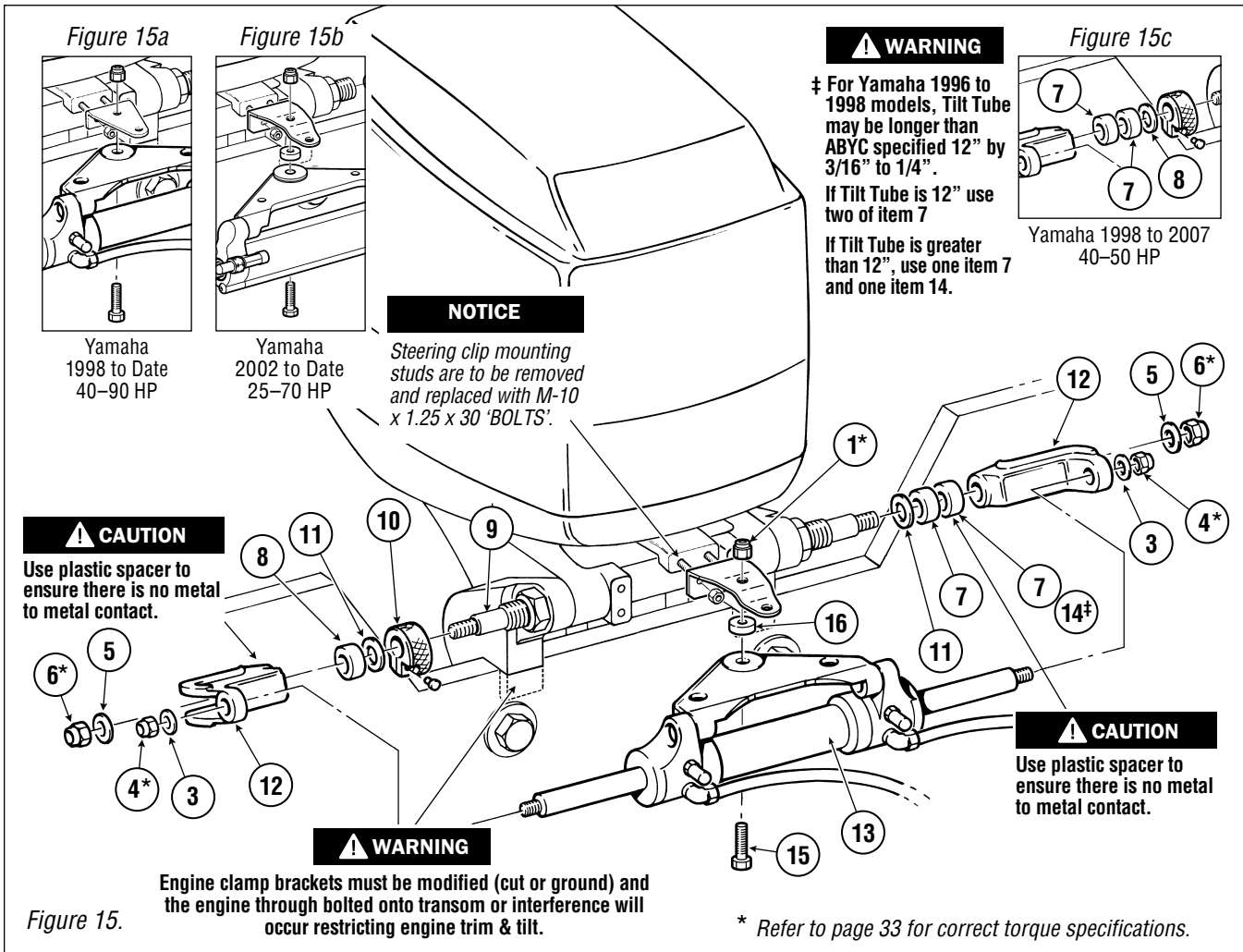


ITEM	QTY	DESCRIPTION
*1	1	Nut, 3/8" NF Nylok® SS
*2	1	HHCS 3/8" UNJF x 1.35" HSS
3	2	Washer Flat, 7/16" SS
*4	2	7/16" NF Nylok® SS
5	2	Washer, Flat 1/2" SS
*6	2	Nut 1/2" NF Nylok® Ni plated brass
7	2	Spacer, Thick, Plastic
8	1	Spacer, Thin, Plastic
9	1	Support Rod

ITEM	QTY	DESCRIPTION
10	1	Adjusting Nut & Screw SS, Teflon Coated
11	2	Washer, Flat 5/8" SS
12	2	Support Brackets
13	1	Pivot Mount Cylinder
14	1	Spacer, Medium (Not used)
15	n/a	Refer to page 22 for specific spacer installation instructions.

**WARNING** Refer to page 33 for correct torque specifications of all installation hardware.

ENGINE MANUFACTURER	YEAR	MODEL	CYLINDER	NOTE
<b>YAMAHA</b>	1998 TO 2007	40–90 HP 2 Stroke	<b>HC5345-3</b>	Refer to Fig. 15a & Fig. 15c). Engine clamp brackets must be modified (cut or ground) and the engine through bolted onto transom or interference will occur restricting engine trim and tilt. Requires spacer kit H05090
	2002 TO DATE	25–70 HP 4 Stroke	HC5348-3	Refer to Fig. 15b. Requires spacer kit H05090



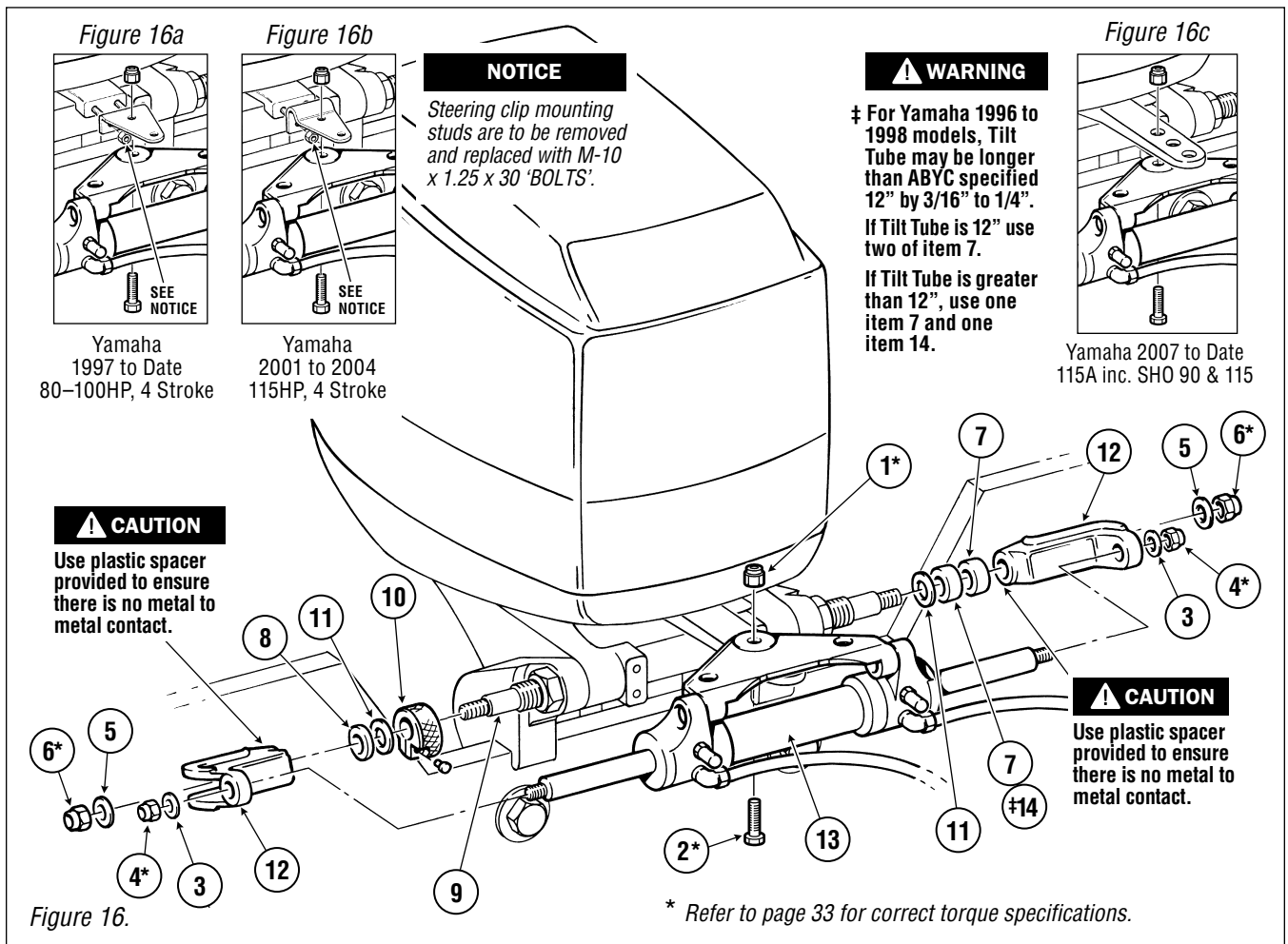
ITEM	QTY	DESCRIPTION
*1	1	Nut 3/8" NF Nylok® SS
*2	1	HHCS 3/8" UNJF x 1.35" HSS (Not used)
3	2	Washer Flat, 7/16" SS
*4	2	Nut 7/16" NF Nylok® SS
5	2	Washer, Flat 1/2" SS
*6	2	Nut 1/2" NF Nylok® Ni plated brass
7	4	Spacer, Thick, Plastic
8	1	Spacer, Thin, Plastic
9	1	Support Rod

ITEM	QTY	DESCRIPTION
10	1	Adjusting Nut & Screw SS, Teflon Coated
11	2	Washer, Flat 5/8" SS
12	2	Support Brackets
13	1	Pivot Mount Cylinder
†14	1	Spacer, Medium (Maybe used)
15	1	3/8" NF x 2-1/4" SS
16	n/a	Refer to page 22 for specific spacer installation instructions.



**WARNING** Refer to page 33 for correct torque specifications of all installation hardware.

ENGINE MANUFACTURER	YEAR	MODEL	CYLINDER	NOTE
<b>YAMAHA</b>	1986 TO 2004	100–200 HP 2 Stroke	<b>HC5345-3</b>	1997 to Date 80–100 HP 4 Stroke (See Fig. 16a) 2001 to 2004 115 HP 4 Stroke (See Fig. 16b) <i>MUST use high strength tiller bolt, Kit HA5822. Bolt head is marked with SEASTAR ARP</i> Refer to Fig. 16c <i>HC5358-3 will NOT work on 115B</i>
	1990 TO 2004	150–300 HP 2 Stroke	<b>HC5345-3</b>	
	1997 TO DATE	F75–F300 HP Inc. 4.2 V6	<b>HC5345-3</b>	
	2007 TO DATE	F300–F350 HP 5.3 V8	<b>HC5345-3</b>	
	2007 TO DATE 2014 TO DATE	115A Inc. SHO 90 & 115 F115B 4 Stroke	HC5358-3 <b>HC5345-3</b>	

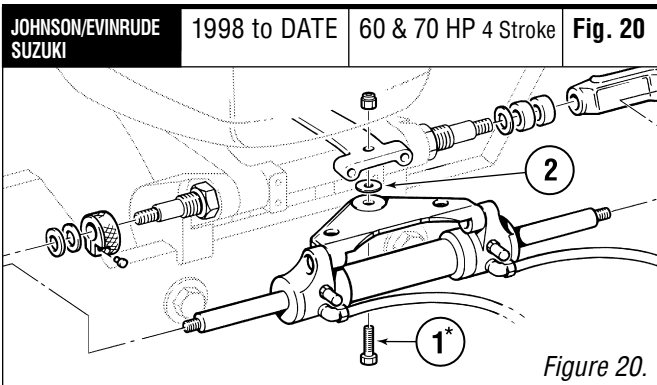
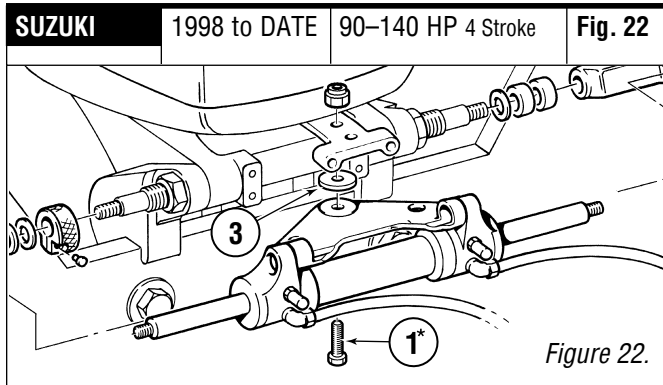
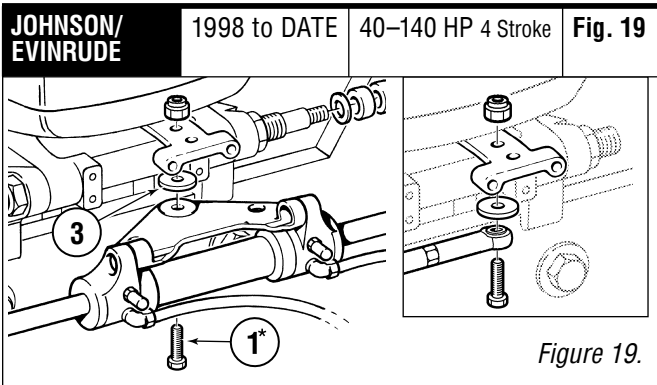
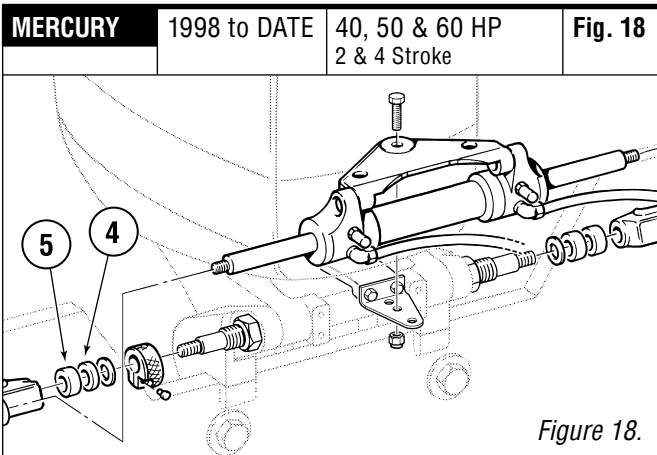
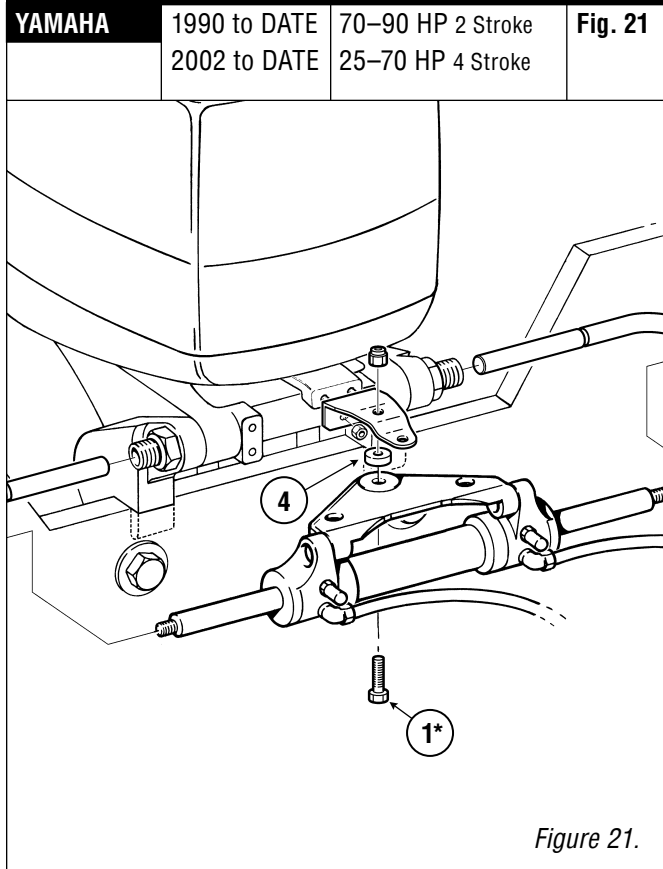
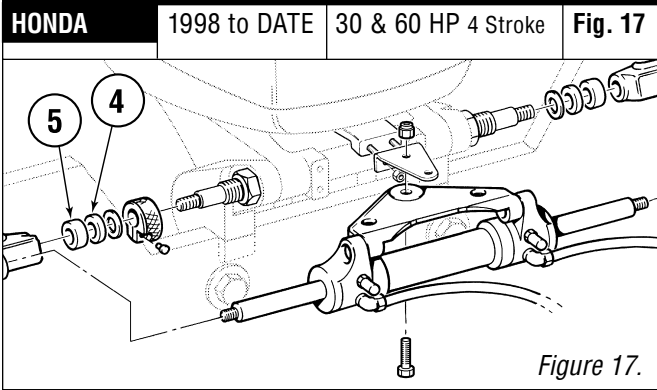


ITEM	QTY	DESCRIPTION
*1	1	Nut, 3/8" NF Nylok® SS
*2	1	HHCS 3/8" UNJF x 1.35" HSS
3	2	Washer Flat, 7/16" SS
*4	2	Nut, 7/16" NF Nylok® SS
5	2	Washer, Flat 1/2" SS
*6	2	Nut 1/2" NF Nylok® Ni plated brass
7	2	Spacer, Thick
8	1	Spacer, Thin

ITEM	QTY	DESCRIPTION
9	1	Support Rod
10	1	Adjusting Nut & Screw SS, Teflon Coated
11	2	Washer, Flat 5/8" SS
12	2	Support Brackets
13	1	Pivot Mount Cylinder
‡14	1	Spacer, Medium (Some 1996 to 1998)

# H05090 Spacer Kit

For use with ALL SeaStar front mount cylinders.



ITEM	QTY	DESCRIPTION
*1	1	HHCS 3/8" NF x 2-1/4" SS (Tiller Bolt)
2	1	SS Fender Washer
3	1	Aluminum Spacer 1/2"
4	1	3/16" Spacer, Yamaha
5	2	Thick Nylon Spacer 3/8"

**PLEASE NOTE:** Items are only available in Kit# H05090, parts are not sold separately.

\* Refer to page 33 for correct torque specifications.

# FILLING AND PURGING THE SYSTEM

## Read First

These instructions show how to fill and purge a Single Station Front Mount Cylinder System. For twin station and/or twin cylinder filling and purging instructions refer to instructions on page 27 first and then proceed with instructions on this page.

## NOTICE

**If system is fitted with SeaStar Power Assist, please refer to your Power Assist Installation Manual for bleeding instructions.**

**This procedure requires two people. One person may not be able to remove all the air from the system which will result in spongy, unresponsive steering.**

During the entire filling procedure, oil **must** be visible in the filler tube. **DO NOT** allow the oil level to disappear into the helm pump, as this may introduce air into the system and increase your filling time.

## NOTICE

*If using a Liquid Tie bar Valve, part # HA5471-2, please refer to the bleeding instructions included with the liquid tie bar valve.*

## Hydraulic Oil Requirements

2 bottles (2 quarts or liters) for single station and single cylinder systems.

1 additional bottle for each additional helm, cylinder, or auto pilot.

## NOTICE

*Oil can be re-used if filtered through a fine mesh screen such as used for gasoline. If unable to filter oil, an additional bottle of oil is required.*

## NOTICE

*“Bleeder” may refer to cylinders fitted with bleed tee fittings or bleed screws. If fitted with bleed tee fitting, open bleeder by unscrewing bleed nipple nut two turns.*

## NOTICE

*Filling the helm full of oil can be done faster if oil is poured into the helm prior to connecting filler tube and oil bottle to the helm. Part # HA5438.*

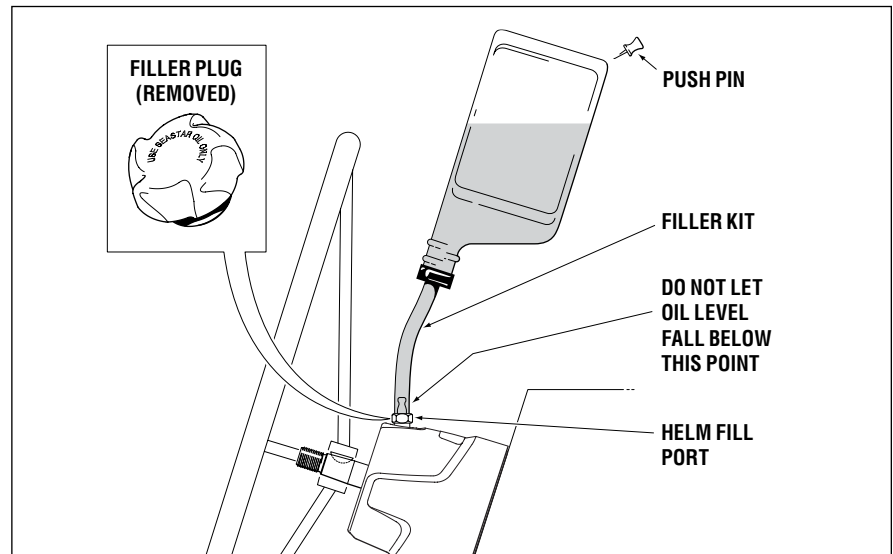


Figure 23. Optional Filler Kit Part # HA5438

## NOTICE

*In the following pages you are instructed to hold cylinder body with your hand, if the cylinder is mounted to an engine, use the engine to hold the body in position.*

## Hydraulic Fluid

### WARNING

**ANY NON-APPROVED FLUID MAY CAUSE SERIOUS DAMAGE TO THE STEERING SYSTEM RESULTING IN POSSIBLE LOSS OF STEERING, CAUSING PROPERTY DAMAGE, PERSONAL INJURY AND/OR DEATH.**

Due to recent upgrades in our steering system components, Dometic recommends use of SeaStar steering fluid **ONLY** in our hydraulic steering systems. SeaStar steering systems have been engineered and validated using our proprietary SeaStar hydraulic steering fluid. SeaStar steering fluid is engineered with a special additive package that contains anti-foaming and anti-rusting agents, anti-oxidants, viscosity stabilizers, corrosion inhibitors, wear additives as well as water emulsification additives. It is highly recommended that SeaStar steering fluid be used to ensure optimum system performance and safety.

#### **Use of any non-approved fluid may result in the following;**

- higher steering effort, particularly at ambient or lower temperatures and/or over time due to oil degradation and breakdown
- increased steering slip and/or drift resulting in lost motion
- foaming or air entrapment causing a bumpy feel during steering
- high rates of moisture absorption causing internal component corrosion
- scratched steering cylinder bores and shafts due to contamination or elevated wear rates
- seal degradation – incompatibility with various proprietary seal compounds used in our products.

In an emergency, SeaStar EPS Fluid, any MD-3/4 rated ATF or MIL-PRF-5606H equivalent fluid that is filtered through a fine mesh screen can be used. The system **MUST** be thoroughly flushed as soon as possible with genuine SeaStar Steering Fluid after using an emergency fluid.

In an **EXTREME** emergency, any non-toxic, non-flammable fluid that is filtered through a fine mesh screen may provide temporary steering.

**Use of non-standard fluids will require an immediate and complete system flush using approved fluids, by an approved steering technician.**

### WARNING

**NEVER FILL OR MIX BRAKE FLUIDS, TRIGLYCERIDES OR POLYALKYLENE GLYCOLS WITHIN A HYDRAULIC STEERING SYSTEM.**

### NOTICE

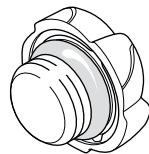
*SeaStar Hydraulic Steering Fluid can be used in Hynautic, BayStar and BayStar Plus steering systems.*

### NOTICE

*Help protect your boating environment by ensuring that all used oil is disposed of properly.*

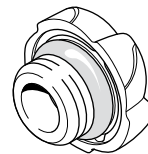
## Fill Plugs for SeaStar Helms

### NON-VENT PLUG – Part # HP6000



- SUPPLIED WITH SEASTAR HELM (BLACK)
- MUST BE USED ON ALL HELM PUMPS OTHER THAN UPPER-MOST HELM PUMP ON MULTI STEERING STATION SYSTEMS.
- THIS NON-VENT PLUG IS SUPPLIED WITH ADDITIONAL STATION FITTING KITS HF5501, HF5502, HF6007 & HF6010.

### VENT PLUG – Part # HP6126

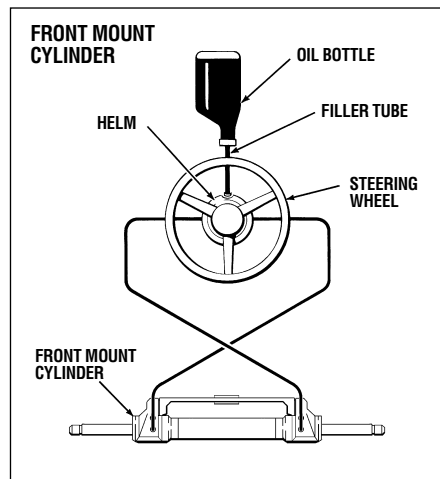


- NOT SUPPLIED WITH SEASTAR HELM (BLACK)
- MUST BE USED WITH HELM PUMP ON ALL SINGLE STEERING STATION SYSTEMS.
- MUST BE USED ON UPPERMOST HELM PUMP ON MULTI STEERING STATION SYSTEMS.

Figure 24.

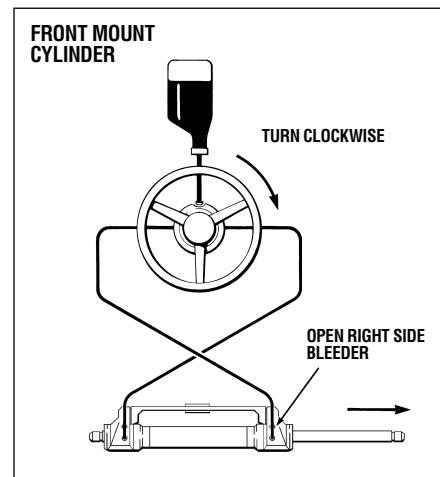
# Single Station — One Cylinder

## Step 1



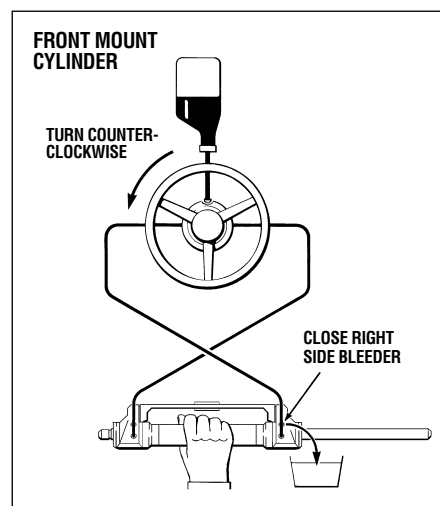
- Screw the threaded end of the filler tube into the helm filler port.
- Remove the cap from the oil bottle and holding upright screw into the filler tube bottle cap. Poke hole in the bottom of the bottle.
- Fill the helm pump full of hydraulic oil so that it is visible in the filler tube. Oil should always be visible in the filler tube. Use the next bottle of fluid at any time during the procedure in order to maintain the oil level. **DO NOT** proceed with step two until helm is full.

## Step 2



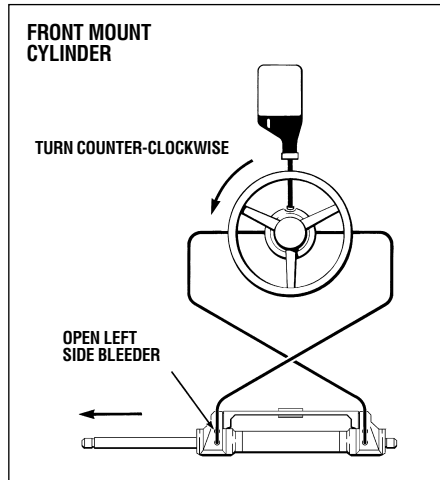
- Turn the steering wheel clockwise until the cylinder rod is fully extended on the right side of the cylinder.
- Open right side bleeder.

## Step 3



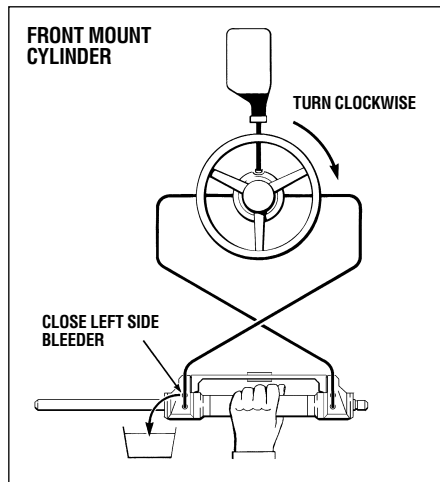
- Holding the cylinder body (Front Mount cylinder) or rod (Side Mount cylinder) to prevent the body/rod from moving, turn the steering wheel counter-clockwise until a steady stream of air free oil comes out of the bleeder. (Drain approx. 1/2 bottle of oil or as required).
- **DO NOT use anything other than your hands to restrain the cylinder body/rod.**
- While continuing to turn the wheel close the right side bleeder and let go of the cylinder body/rod.

## Step 4



- Continue turning the steering wheel counter-clockwise until the cylinder rod is fully extended to the left. (Steering wheel will come to a stop).
- Open the left bleeder.

## Step 5



- Holding the cylinder body (Front Mount cylinder) or rod (Side Mount cylinder) to prevent the body/rod from moving, turn the steering wheel clockwise until a steady stream of air free oil comes out of the bleeder.
- While continuing to turn the wheel close the left side bleeder and let go of the cylinder body/rod.

### **CAUTION**

**Prior to operating system, perform Oil Level System Check, refer to page 28.**

## Number of Steering Wheel Turns

When steering system has been properly bled, steering wheel turns from hard over to hard over will be as shown in the chart.

Helm Displacement	Single Cylinder	Twin Cylinder with Mechanical Tiebar	Twin Cylinder with Liquid Tiebar
1.4	6.00	12.00	6.00
1.7	4.95	9.90	4.95
2.0	4.20	8.40	4.20
2.4	3.50	7.00	3.50
3.0	2.80	5.60	2.80

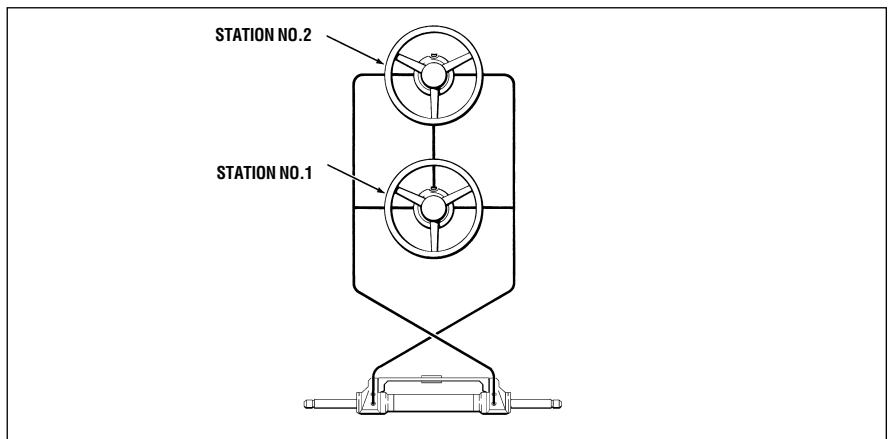
# Twin Station — Single Cylinder

Perform steps 1 through 5 at station no. 1. Then repeat steps 1-5 at station no. 2.

Oil requirements 4-5 bottles.

**Note:** Refer to Oil Level and System Check page 28.

When properly bled, steering wheel turns will be as shown in the chart.

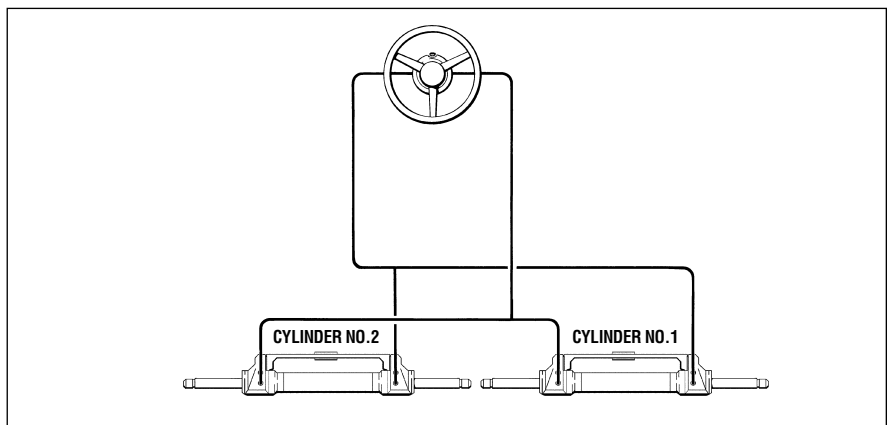


# Single Station — Twin Cylinder

When performing steps 1 through 5, perform instructions in each step first on cylinder no. 1 and then on cylinder no. 2, before proceeding to the next step. ie: Perform instructions referring to right side of cylinder first on cylinder no. 1 and then on cylinder no. 2.

Oil requirements 4-5 bottles.

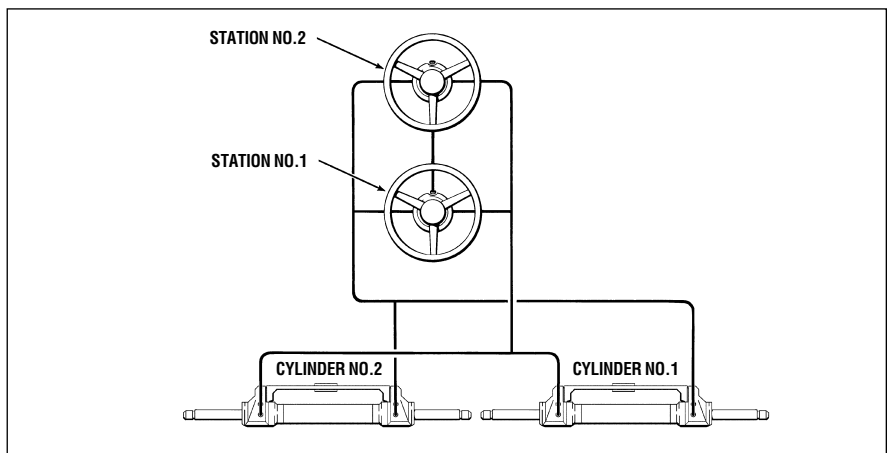
**Note:** Refer to Oil Level and System Check on page 28. Steering wheel turns will be as shown in the chart.



# Twin Station — Twin Cylinder

Follow same procedure as instructed for single station-twin cylinders, beginning at station no. 1, and repeat entire procedure at station no. 2.

**Note:** When properly bled, steering wheel turns will be as shown in the chart.



# Oil Level and System Check

## Step 1 – Oil level Setting

**⚠ WARNING** The oil level **MUST** be checked and maintained **BEFORE** EACH use to ensure safe steering operation. Failure to adhere to this warning may lead to loss of steering control resulting in persons being ejected from vessel or collision with an obstacle, leading to property damage, personal injury and/or death.

- For helms mounted with the wheel shaft completely horizontal **MUST** be filled to the bottom of filler hole **AT ALL TIMES**. **DO NOT** allow oil level to drop more than 1/4" below filler threads.
- For helms mounted on a 20 degree angle, or, with wheel shaft in the vertical position, oil level should be within 1/2" from the bottom of the filler hole.

### NOTICE

*If the helm is overfilled fluid **WILL** leak out of the vent cap. Use kit HA5403 Syringe to set fluid level of each helm.*

## Step 2 – System Check

**⚠ WARNING** The system check **MUST** be completed after installation. Doing so will ensure the safe operation of your steering system and will any fault/leak will show at this time. Failure to adhere to this warning/check may result in the loss of steering control leading to ejection from the vessel, or, collision with an obstacle resulting in property damage, personal injury and/or death.

- Turn steering wheel hard over to hard over to confirm unrestricted movement of the steering system and hoses. Repeat this procedure in ALL trim/tilt positions of the engine(s). If interference occurs, or, hoses are being stretched this **MUST** be removed prior to operating your boat.
- Confirm that engine(s) are deflecting to the proper direction when steering wheel is turned.
- If no interference is noticed, or, any interference is corrected, go to next step.
- Take steering wheel hard over to starboard (any helm can be used on a multi-station boat). Once the wheel reaches its stop point (cylinder is fully stroked out), continue to force the wheel one 1 or more turns past stop. Leave wheel in this position while you check all PORT side connections, fittings, seals and hoses for leaks.

**NOTICE** *This step will NOT harm the system and any noise made during this step should not be considered a fault in the steering system.*

- If leaks are noticed they **MUST** be repaired prior to operating boat. After repair repeat bleeding procedures as outlined in this manual.
- Repeat to the Port direction and inspect ALL starboard side connections, fittings, seals and hoses for leaks.

**NOTICE** *This step will NOT harm the system and any noise made during this step should not be considered a fault in the steering system.*

- If leaks are noticed they **MUST** be repaired prior to operating boat. After repair repeat bleeding procedures as outlined in this manual.

### ⚠ WARNING

**Failure to complete the above noted step or, failure to correct a problem may result in loss of steering control leading to ejection from the vessel or collision with an obstacle resulting in property damage, personal injury and/or death.**



# ROUTINE MAINTENANCE

## **⚠ WARNING**

Following the routine maintenance schedules as outlined below, in the time frame noted will ensure years of service from your SeaStar Steering System, as well as keep you and your passengers safe from the dangers that are present on and off the water.

## **1. Owner(s) (End Users)**

### **Prior to every use.**

1. Check Fluid level in highest helm pump (see page 28 for proper fluid level setting).
2. Verify immediate steering response when turning steering wheel(s). (Ensure engine turns when steering wheel is turned.)
3. Visually inspect all steering hoses and fittings for wear, kinking and/or leaks.
4. Check for binding, loose, worn or leaking steering components.

## **⚠ WARNING**

**DO NOT operate boat if any component is not in proper working condition.**

## **2. Qualified Marine Mechanic**

### **After first 20 hours, then every 100 hours or 6 months thereafter (which ever comes first).**

1. All points noted above.
2. Check tightness of ALL fasteners/fittings throughout the steering system. Tighten to correct torque specifications as required.
3. Check for mechanical play or slop throughout steering system, correct as required.
4. Check for signs of corrosion. If corrosion is present contact your dealer or Dometic.

### **After every 200 hours or 12 months (which ever comes first).**

1. All points noted above.
2. Remove support rod from engine steering/tilt tube. Clean engine steering/tilt tube and re-grease using a good quality marine grease.
3. Grease support rod liberally
4. Grease all contact points shown in figure 25. DO NOT remove tiller bolt to re-grease.
5. Remove steering wheel and re-grease wheel shaft using a good quality marine grease.
6. Inspect hydraulic oil for cleanliness, flush if required.

## **⚠ WARNING**

Any work being performed with the steering system **MUST** be completed by a qualified mechanic with the working knowledge of the system.

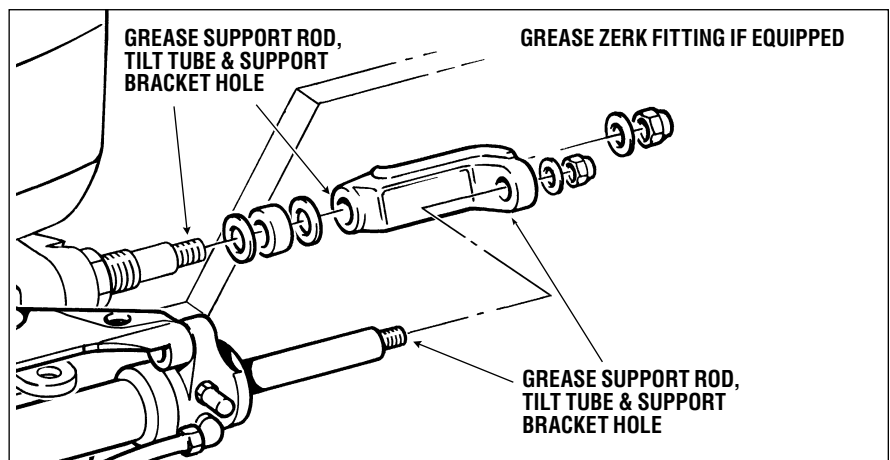


Figure 25.

## SeaStar Power Purge JR.

Part# HA5445-2

### Advantages:

- Steering feel is solid every time
  - Complete Fill & Purge in 10 minutes or less
  - Fast and efficient
  - Easy to operate
- Screens contaminants from oil
  - Quick connect fittings
  - Convenient portable size
- Convenient electrical hook-up utilizing 12 volt boat battery
- Optional Dual Cylinder Purging Kit HA5461 available
- Optional 50' Hose Extension Kit HA5462, for longer runs

SeaStar®/BayStar™ Power Purge Jr. is the quickest way to bleed a SeaStar®/BayStar™ system in the field and assure a rock-solid steering feel every time!

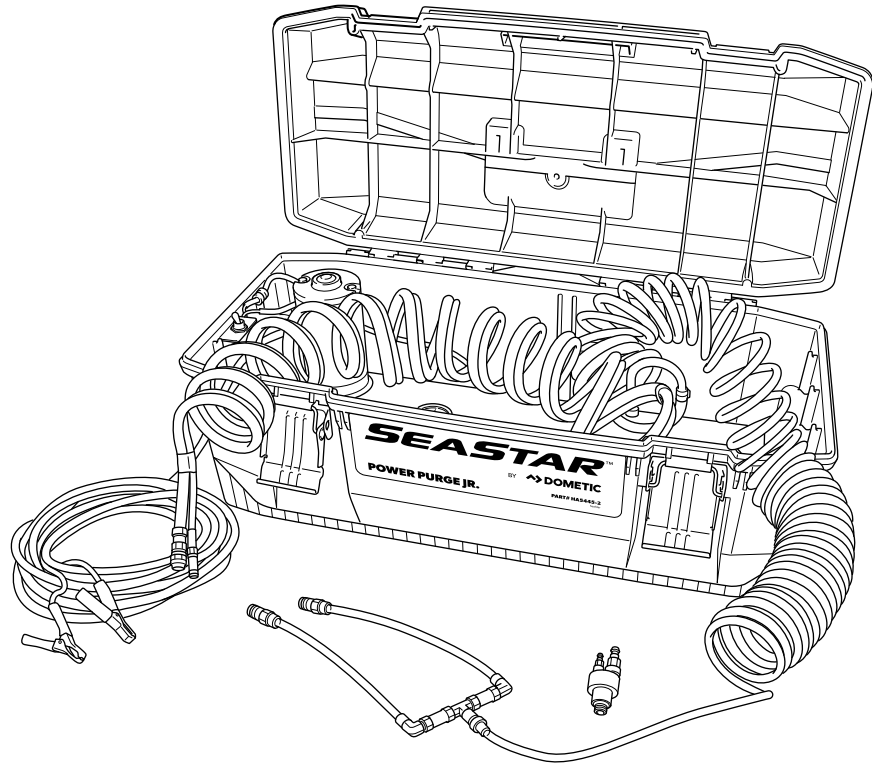


Figure 26.

## Helm Adapter Kit

Part# HP6148

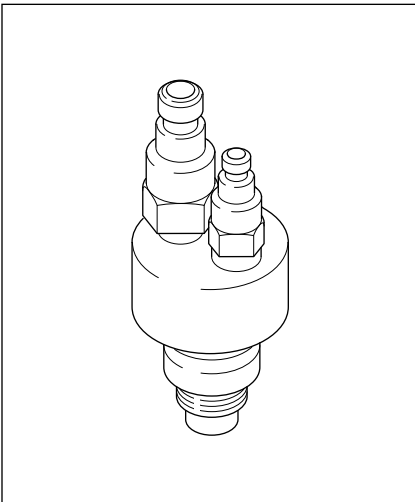


Figure 27.

## Service Kit

Part# HP6125

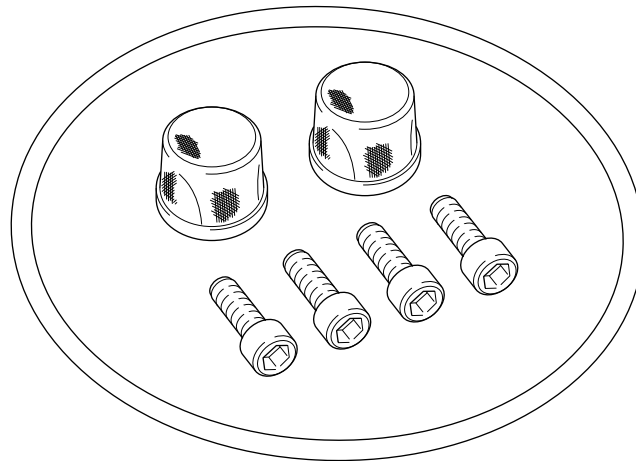


Figure 28.

# TROUBLESHOOTING GUIDE

If properly installed and maintained, your SeaStar Steering System will provide years of safe and reliable performance. Our systems have been designed with protection against over-pressure situations by a pressure relief valve. Most faults occur when installation instructions have not been followed and in most cases will present themselves immediately upon filling the system. Below are the most common faults and their likely cause and solution. Extreme caution must be exercised when diagnosing and correcting a fault. These troubleshooting guides may seem simple in text, however these **MUST** be completed by a qualified marine mechanic that has working knowledge of the steering system.

## WARNING

**Dometic does NOT recommend disassembly of a helm pump, or, removing a steering cylinder rod/shaft at any time. Doing so may cause more damage, leading to irreparable damage and costly replacements.**

FAULT	CAUSE	SOLUTION
<p><b>1. During filling, helm becomes completely locked up.</b></p>	<ul style="list-style-type: none"> <li>• Mechanical interference with other components.</li> <li>• Blockage in the steering lines.</li>   <li>• Tilting mechanism not installed properly.</li> <li>• Engine(s) are restricted.</li>   <li>• Power Assist H1, or H2 line crossed with R line.</li> </ul>	<ul style="list-style-type: none"> <li>• Check ALL areas for interference, correct as required.</li> <li>• Remove all steering lines. Blow air through lines. Any line not allowing good air flow may should be replaced.</li> <li>• Confirm tilt mechanism is installed correctly.</li> <li>• Confirm that engines are able to be moved freely with cylinder not connected.</li> <li>• Confirm system is plumbed correctly.</li> </ul>
<p><b>2. System is very difficult to fill, air keeps burping out top of helm, even after system appears full.</b></p>	<ul style="list-style-type: none"> <li>• Air remaining in system.</li>   <li>• Bleed fitting leaking.</li> <li>• Coiled hose.</li>   <li>• Reservoir/compensating lines not purged free of air.</li> </ul>	<ul style="list-style-type: none"> <li>• Bleed steering system again utilizing bleeder fittings fitted on the steering cylinder.</li> <li>• Tighten bleeder, replace if leak continues.</li> <li>• DO NOT cut hoses. Lessen coil, or, replace with shorter lines.</li> <li>• Bleed air from reservoir/compensating lines.</li> </ul>
<p><b>3. Steering is hard to turn even when boat is not moving and engines are OFF.</b></p>	<ul style="list-style-type: none"> <li>• Adjusting nut on support rod is over tightened.</li> <li>• Restrictions on hoses (see Fault 1).</li> <li>• Mechanical interference with other components (see Fault 1).</li> <li>• Incorrect fluid has been used to fill system.</li> </ul>	<ul style="list-style-type: none"> <li>• Nut should be hand-tight.</li>   <li>• See fault 1.</li> <li>• See fault 1.</li>   <li>• Drain and flush, fill and bleed with SeaStar fluid.</li> </ul>

---

**3. Continued.**

Steering is hard to turn even when boat is not moving and engines are OFF.

- Engine rigging tube is restricting engine movement.
- Damaged steering cylinder body.
- Too small of a steering hoses being used.
- Steering wheel is too small.
- Tilt bellows interference.
- Cylinder installation procedure not followed correctly.
- Cylinder mounting plate is too tight.
- Consult with Engine Installation Manual for proper rigging tube installations.
- Replace steering cylinder(s) completely.
- Remove and re-plumb system using SeaStar outboard hoses.
- Wheel should be 15" & larger (MAX 26").
- Confirm no interference with rubber tilt bellows on steering wheel hub.
- Remove cylinder, re-install as per the steps noted.
- With cylinder not connected, the plate must move UP/DOWN freely. Replace if hard to move.

---

**4. One helm in system is very bumpy and requires too many turns.**

- Air in system.
- Dirt/debris in system.
- Dirt/debris in autopilot (if fitted).
- Bleed system.
- Replace helm pump, flush system (DO NOT attempt repair of helm).
- Replace autopilot pump.

---

**NOTICE**

*See page 36 for Technical Support and Authorized Service Centers information.*

# TECHNICAL INFORMATION

## Bolt Torque Specifications

These are the recommended maximum torque values for reusable dry bolts. Bolts should be torqued to this value +0% -20%. For lubricated bolts, multiply the dry bolt torque values by .75.

Values are stated in: **in/lbs (N.m)**

Bolt Size	18-8SS	Brass	Bolt Size	18-8SS	Brass	Bolt Size	18-8SS	Brass
2-56	2.5 (.282)	2.0 (.226)	6-32	9.6 (1.08)	4.9 (.554)	5/16"-18	132.0 (14.91)	107.0 (12.10)
2-64	3.0 (.338)	2.5 (.282)	6-40	12.0 (1.35)	9.9 (1.12)	5/16"-24	142.0 (16.04)	116.0 (13.11)
3-48	3.9 (.440)	3.2 (.361)	8-32	20.0 (2.25)	16.0 (1.81)	3/8"-16	236.0 (26.66)	192.0 (21.71)
3-56	4.4 (.497)	3.6 (.407)	8-36	22.0 (2.48)	18.0 (2.03)	3/8"-24	259.0 (29.20)	212.0 (23.97)
4-40	5.2 (.587)	4.3 (.486)	10-24	23.0 (2.59)	19.0 (2.14)			
4-48	6.6 (.740)	5.4 (.610)	10-32	32.0 (3.61)	26.0 (2.94)			
5-40	7.7 (.869)	6.3 (.712)	1/4"-20	75.0 (8.47)	62.0 (7.01)			
5-44	9.4 (1.06)	7.7 (.869)	1/4"-28	94.0 (10.6)	77.0 (8.70)			

Values are stated in: **ft/lbs (N.m)**

Bolt Size	18-8SS	Brass	Bolt Size	18-8SS	Brass	Bolt Size	18-8SS	Brass
7/16"-14	31.0 (42.00)	26.0 (35.25)	5/8"-11	93.0 (126.09)	76.0 (103.04)	1"-8	287.0 (389.12)	235.0 (318.62)
7/16"-20	33.0 (44.74)	27.0 (36.61)	5/8"-18	104.0 (141.00)	85.0 (115.24)	1"-14	259.0 (351.16)	212.0 (287.43)
1/2"-13	43.0 (58.30)	35.0 (47.45)	3/4"-10	128.0 (173.55)	104.0 (141.00)			
1/2"-20	45.0 (61.01)	37.0 (50.17)	3/4"-16	124.0 (168.12)	102.0 (138.29)			
9/16"-12	57.0 (77.28)	47.0 (63.72)	7/8"-9	194.0 (236.03)	159.0 (215.58)			
9/16"-18	63.0 (85.42)	51.0 (69.15)	7/8"-14	193.0 (261.67)	158.0 (214.22)			

## Cylinder

Front Mount (*Pivot, PRO Pivot, Catamaran*)

### INSIDE DIAMETER

1.375" (34.93 mm)

### STROKE

8" (203 mm)

### VOLUME

8.34 cu. in. (136.67 cc)

Stroke reduced HC5445-3

### VOLUME

7.04 cu. in. (115.37 cc)

### STROKE

6.75" (171.5 mm)

## Fittings

SeaStar cylinders and all other fittings are 3/8" compression type fittings. Threads are 9/16" x 24 UNEF. A brochure on all SeaStar fittings is available from Dometic.

## SeaStar and SeaStar Pro Hose

Inside diameter – 5/16" (8 mm)  
Outside diameter – 1/2" (12.7 mm)

## SeaStar and BayStar Tube

Outside diameter – 3/8" (9.5 mm)

# SEAL/REPLACEMENT PARTS

## SeaStar, Front Mount Pivot Cylinders

**ACTIVE** Part # HC5345-3, HC5347-3, HC5348-3, HC5358-3, HC5375-3, HC5445-3, HC6345-3, and HC6358-3.

### Specifications

OUTBOARD USE ONLY

**Volume:** 8.34 cu.in.

**INACTIVE** Part # HC5345, HC5346, HC5347, HC5348, HC5358, HC5445, HC6345, HC6358, HC6750, HC6751, HC6752, HC6753, HC6754, HC6755, and HC6760.

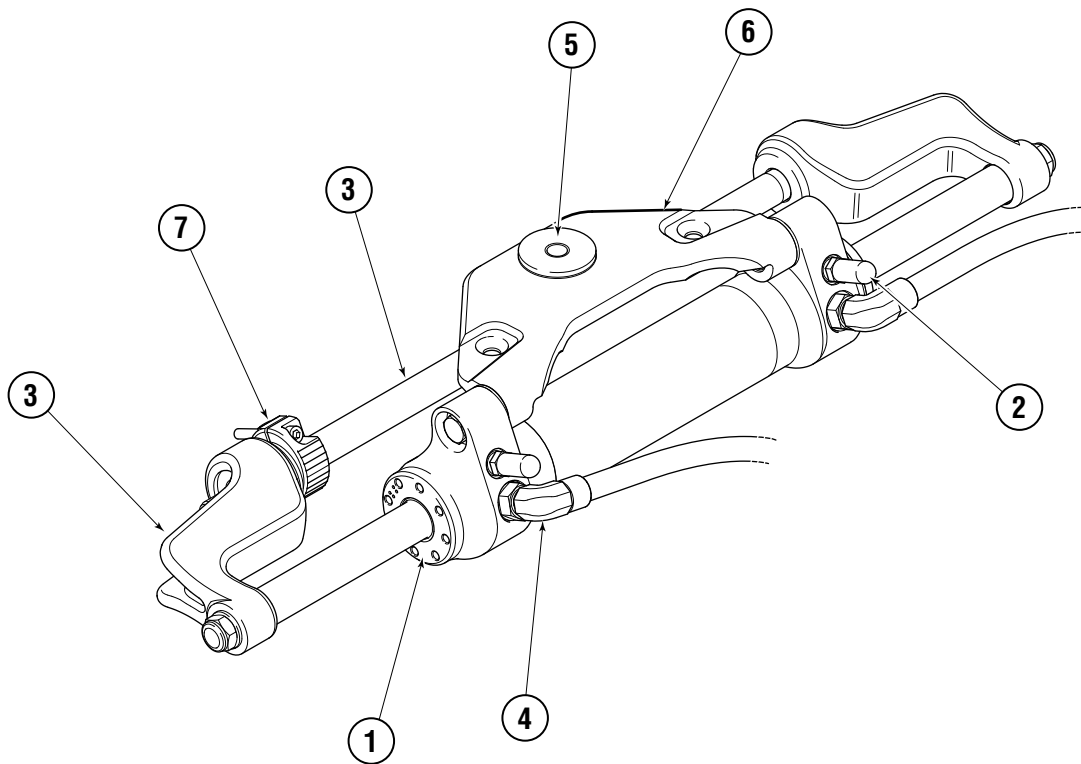


Figure 29.

ITEM	PART #	DESCRIPTION
1	HS5157	Seal Kit c/w wrench, does NOT include center/internal seal
2	HF5548	Bleeder Fittings, 2 per kit, covers NOT inc.
3	HP6014	Support Bracket Kit (Brackets, Rod and Hardware)
	HP6101	Pro Support Bracket Kit (Brackets and Hardware only)
	HP6111	Pro Support Rod Kit (Rod and Hardware only)
4	HF6004	Hose Elbow Fittings

ITEM	PART #	DESCRIPTION
5	HA5829	Tiller Bushing Kit, c/w high strength tiller bolt
6	N/A	Pivot Mount Plate (If damaged cylinder is to be replaced)
7	HP6033	Spacer/Adjusting Nut Kit
8	HF6005	Hose Tee Fitting (Not shown)
9	HA5477	Grounding Strap (Not shown)

# LIMITED WARRANTY

## Owner's Limited Warranty Policy

---

**This Warranty is made to a purchaser ("owner" or "you"), who acquires the Dometic Corporation ("Dometic")—manufactured product or component (the "Dometic product") for his or her own use.**

### 1. WHAT'S COVERED

#### What does the Limited Warranty cover?

The Dometic products under this limited warranty are to be free from defects in material and workmanship at the time of sale and under normal use. If Dometic determines to its satisfaction that a Dometic product contains such a defect during the applicable Warranty Periods set out within **Section 4 COVERAGE PERIOD**, then Dometic shall, at Dometic's sole option, repair or replace the Dometic product, or refund the original purchase price.

**Note: Where labor is included for a particular Dometic product covered under this Limited Warranty (See Section 4 COVERAGE PERIOD), Dometic is not responsible for additional labor charges associated with the removal, reinstallation, or replacement of any equipment or furnishings beyond the particular covered Dometic product. Any additional travel time is the owner's sole responsibility.**

**This Limited Warranty is made in lieu of all other express warranties, obligations, or liabilities on the part of Dometic.** In those instances in which Dometic chooses to make a cash refund of the original purchase price, such refund shall effect the cancellation of the contract of sale without reservation of rights on the part of the owner. **Such refund shall constitute full and final satisfaction of all claims which the owner has or may have against Dometic resulting from any actual or alleged breach of warranty, either express or implied.**

**IN NO EVENT SHALL DOMETIC BE LIABLE FOR EITHER INCIDENTAL OR CONSEQUENTIAL DAMAGES. THIS INCLUDES ANY DAMAGE TO ANOTHER PRODUCT OR PRODUCTS RESULTING FROM SUCH A DEFECT. SOME STATES DO NOT ALLOW THE EXCLUSION OR LIMITATION OF INCIDENTAL OR CONSEQUENTIAL DAMAGES, SO THE ABOVE LIMITATIONS MAY NOT APPLY TO YOU.**

**ANY IMPLIED WARRANTY, INCLUDING THE IMPLIED WARRANTY OF MERCHANTABILITY AND FITNESS FOR ANY PURPOSE, IS LIMITED TO THE DURATION OF THIS LIMITED WARRANTY. SOME STATES DO NOT ALLOW LIMITATIONS ON HOW LONG AN IMPLIED WARRANTY LASTS, SO THE ABOVE LIMITATIONS MAY NOT APPLY TO YOU.**

**THIS WARRANTY GIVES SPECIFIC LEGAL RIGHTS, YOU MAY ALSO HAVE OTHER RIGHTS WHICH VARY FROM STATE TO STATE.**

**Dometic reserves the right to improve or change the design of any Dometic product without notice and with no obligation to make corresponding changes in Dometic products previously manufactured.**

### 2. WHAT'S NOT COVERED

#### What does this Limited Warranty not cover?

We will have no obligations under this warranty for any product which:

- has been improperly installed;
- has been used in an installation other than as recommended in our installation or operation instructions or specifications;
- has failed or has been damaged due to an accident or abnormal operation including racing, misuse or alterations outside our factory;
- has been repaired or modified by entities other than Dometic;
- has been used on an engine/boat combination where the engine horsepower exceeds the rating established by the boat manufacturer;
- has been used with other or as specified in the Dometic's Owners Manual for the purchased product/product(s) which, in Dometic's opinion, are incompatible with the Dometic's product.

**Installation and application of Dometic products are not warranted by Dometic because Dometic has no control or authority over the selection, location, application, or installation of Dometic products.**

### 3. GETTING SERVICE

#### How do you get service?

**Please read the following Warranty Procedure:**

In order to obtain the benefits of this Warranty, the owner has the following three options during the applicable Warranty Coverage Period:

1. Preferred option: Have a Dometic authorized Servicing Dealer perform the work needed. The customer needs to contact Dometic Tech Support 800-730-4082, marinesupport@dometic.com for a recommendation as to the closest authorized Servicing Dealer. If the customer already knows of an authorized Servicing Dealer, the Servicing Dealer should be contacted directly.
2. Second option: If the customer contacts the Dometic Customer Service Department for an authorized Servicing Dealer and there are none in the particular area, Dometic may authorize the use of a local Servicing Dealer, in which event Dometic will work with the local Servicing Dealer to assist in any way possible.
3. Third option: The customer may send the Dometic product back to the factory to have the repair work done. Dometic will make every effort to return the equipment to the customer within a three-week time period. If the claim represents a valid warranty issue, Dometic will pay the freight both ways. Dometic prefers option one first, option two second, and option three only if option one or two are not available.

Refer to the **Dometic Tech Support** section below for contact information.

Any Dometic product returned in the manner described above will be examined by the Servicing Dealer and/or by Dometic. If it is found that the returned item was defective in material or workmanship at the time of sale, the Servicing Dealer will contact Dometic for Warranty coverage. Dometic shall, at Dometic's sole option, repair or replace the Dometic product, or refund the original purchase price. If Dometic determines that repairs to the Dometic product are to be made, then only authorized Dometic parts will be used.

**Dometic does not authorize any person or company to create any Warranty obligations or liability on its behalf.**

No action to enforce this Warranty shall be commenced later than ninety (90) days after the expiration of the applicable Warranty Coverage Period as set out within **Section 4 COVERAGE PERIOD**. Claims must be submitted in writing to the Dometic Marine Division Warranty Department.

### 4. COVERAGE PERIOD

#### What is the Warranty Coverage Period?

Dometic warrants its products for a period of two years from the date of original retail purchase. For Dometic products used commercially or in any rental or other income producing activity, Dometic warrants its products for a period of one year from the date of original retail purchase.

We will provide replacement product without charge for any Dometic product covered by this warranty, which is returned (freight prepaid) within the warranty period to the dealer from whom such products were purchased, or to us at the appropriate address. In any such case, Dometic products found to be defective and covered by this warranty from the date of original purchase will be replaced or repaired at Dometic' option, and returned to the customer.

Dometic' sole responsibility under this warranty is limited to the repair or replacement of product which is, in Dometic' opinion, defective. Dometic is not responsible for charges connected with the removal of such product or reinstallation of replacement or repaired parts.

---

**Dometic Tech Support**

Phone: 800-730-4082

Email: marinesupport@dometic.com

NOTE: The above Limited Warranty supersedes all previous versions and is a reproduced extract from Dometic publication: L-4940. Form No. 340124 05/18 REV B. Effective 01/01/2024.









Mobile living made easy.

---



© 2022 DOMETIC

PRINTED IN CANADA 05/24

DOMETIC VANCOUVER  
3831 NO.6 ROAD  
RICHMOND, B.C.  
CANADA V6V 1P6

[www.dometic.com](http://www.dometic.com)

ISO 10592



FORM NO. 929784 REV. L

---

Please scan  
this QR code  
and watch our  
latest **Boating  
Safety** video.

