

SKYSOL Track Large Order Form and Product Guide

Customer _____
 Address _____

Tel _____
 Mobile _____
 Email _____

Order _____
 Quote _____
 Date _____
 Project Name _____
 Project Location _____

1	2	3	4	5	6	7	8	9	10	11	12	13
Blind No.	Location	Width (X) ¹	Straight line Length (Y) ²	Honeycomb Fabric code ³	Control	Head rail	Moving rail	Side track	Track curved or straight ²	Fill in one option only		Qty
					Manual Powered	White Beige Graphite Custom ⁵	White Beige Aluminium Custom ⁵	White Beige Aluminium Custom ⁵	Curved DWG or CAD Template Straight	Manual Fixed Handle Plastic ⁶ Metal Nickel Metal Chrome	Powered Motor Wire exit point Left Right Centre Controlled By Switch constant Switch Momentary Somfy remote ⁴ Dometic remote ⁴ Motor ID _____	

Minimum and Maximum Dimensions

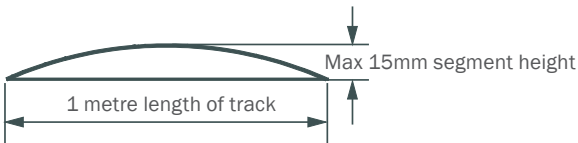
	Width (X)		Drop (Y)	
	Min	Max	Min	Max
Manual	450mm [17 11/16"]	2200mm [87"]	400mm [15 3/4"]	3000mm [118"]
Powered	600mm [23 5/8"]		700mm [27 9/16"]	

Note. This product is specifically for install angles of 60°-120° (roof blinds).

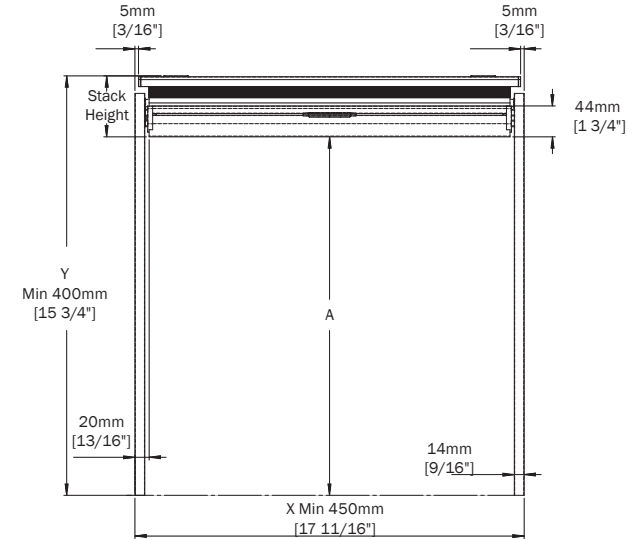
The powered version is limited to max 4.5 square meters.

- The blind will work in a recess that is up to 10mm wider than the specified X, however this will increase light gap on each side of the blind.
- Straight track can be flexed on installation up to maximum segment height of 15mm over a track length of 1 metre.
 - Tracks with a segment height greater than 15mm are treated as curved and a drawing or template will be required.
 - If "Meet in Middle" is required, order two single blinds with half the recess drop.
- 25mm Honeycomb only, please see online fabric collection for codes.
- Please fill in a Powered Accessories Custom Order Form.
- Moving rail endcaps and seals are available in beige or white, track gliders are in white only.
- Colour matched to moving rail.

Tracks are mounted perpendicular to recess, see tech sheet for tolerances.



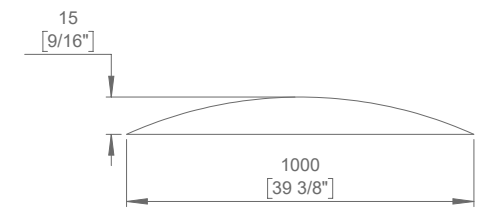
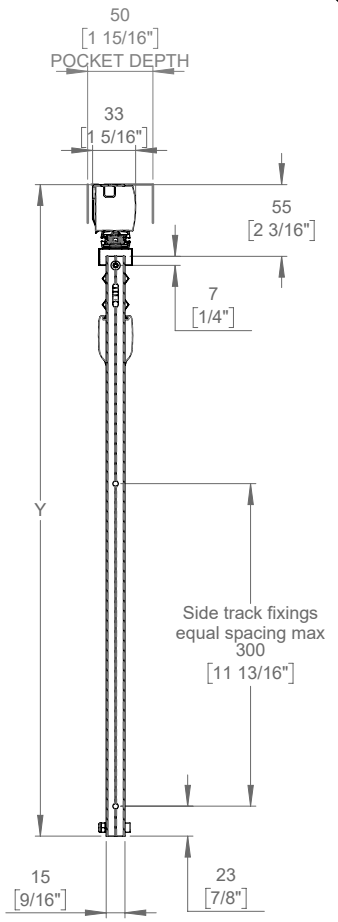
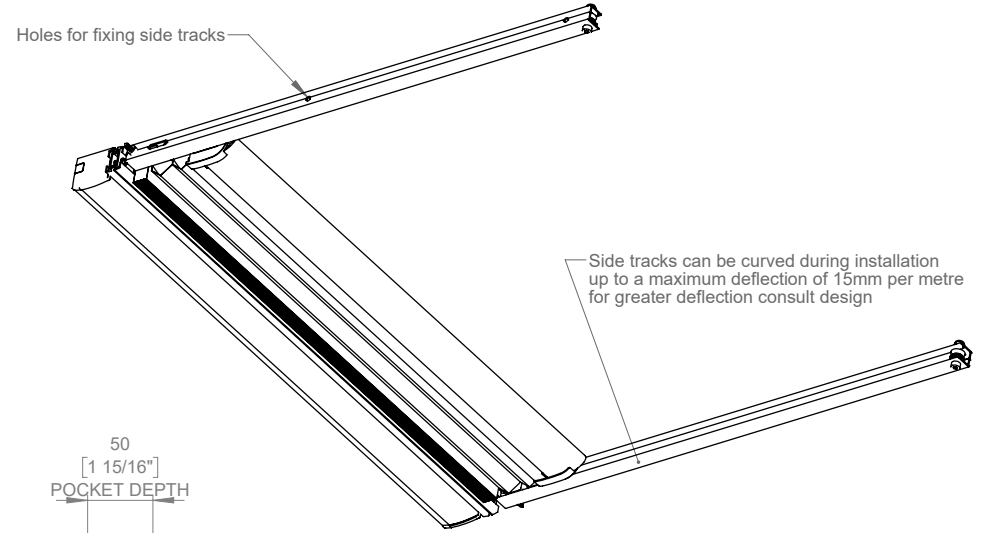
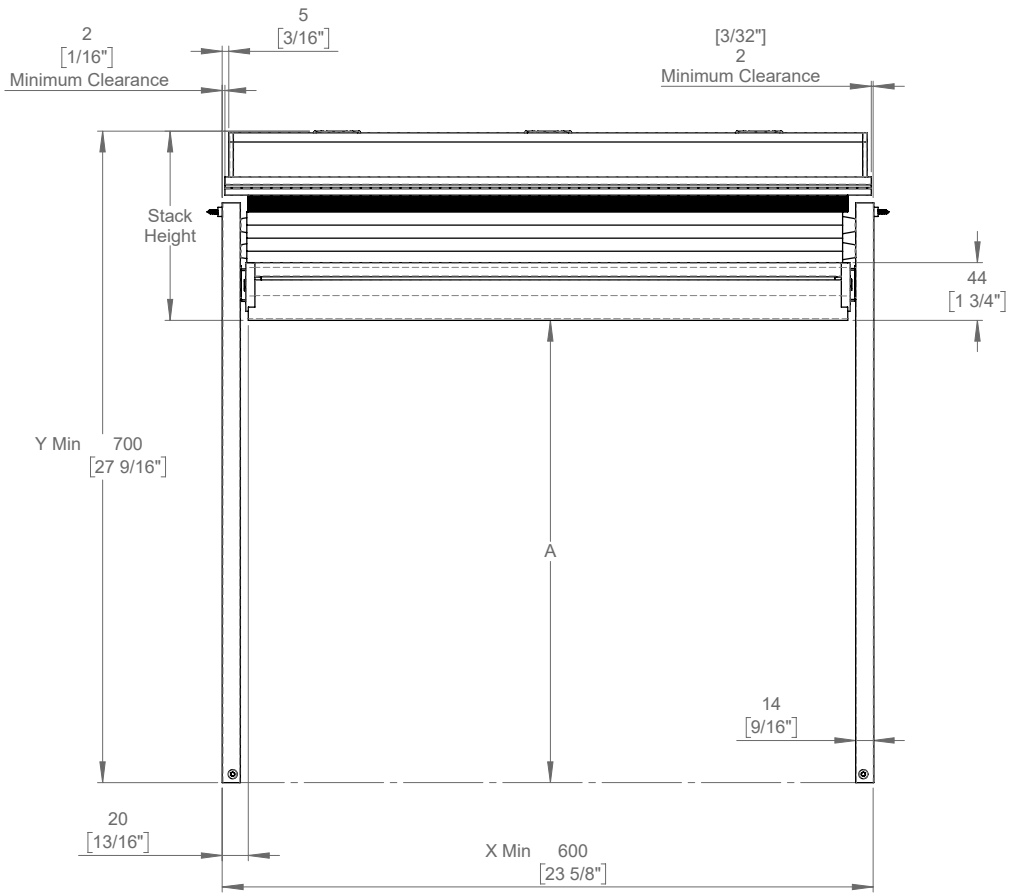
Motor ID	Description	Voltage
25SD1	Atlantic 12S Double End	12 V DC
25SD2	Atlantic 24S Double End	24 V DC
24	Somfy LW25-B83	24 V DC
LV25	Somfy LV25-B64	24 V DC
TM24	Hunter Douglas M35S	24 V DC



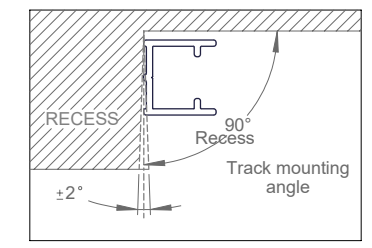
Additional requirements.

SKYSOL Track Large Order Form and Product Guide

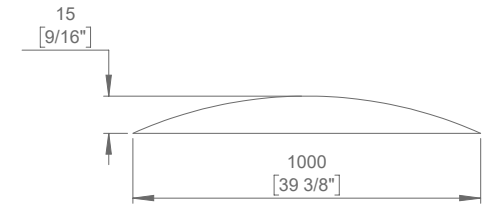
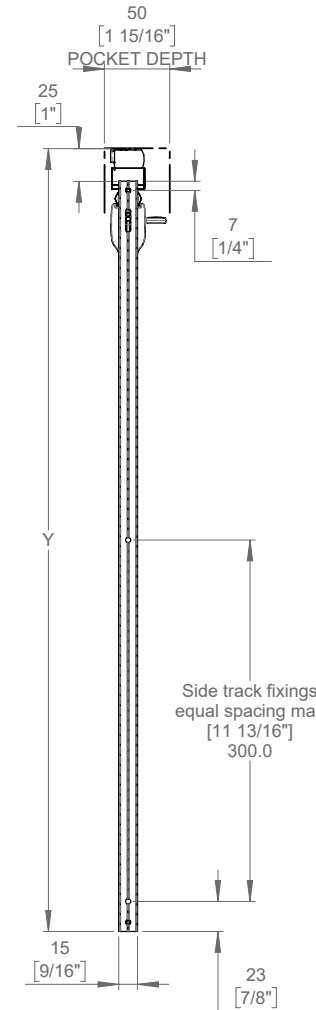
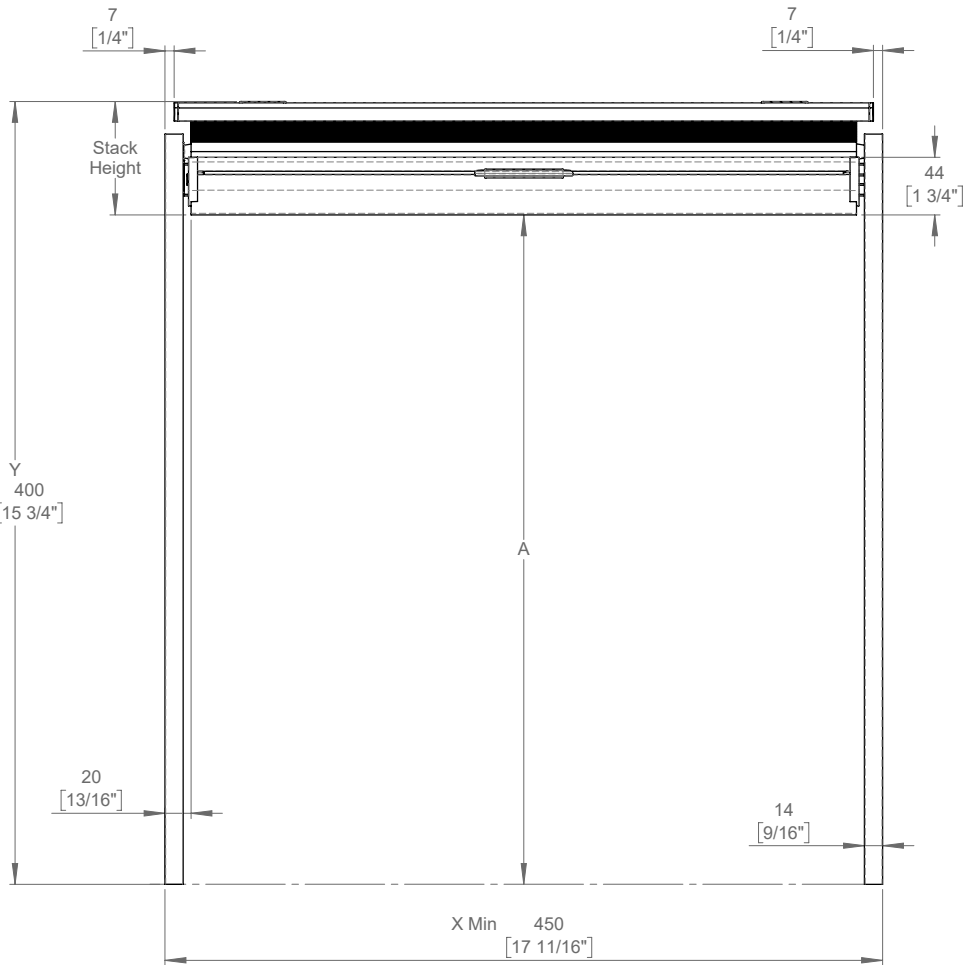
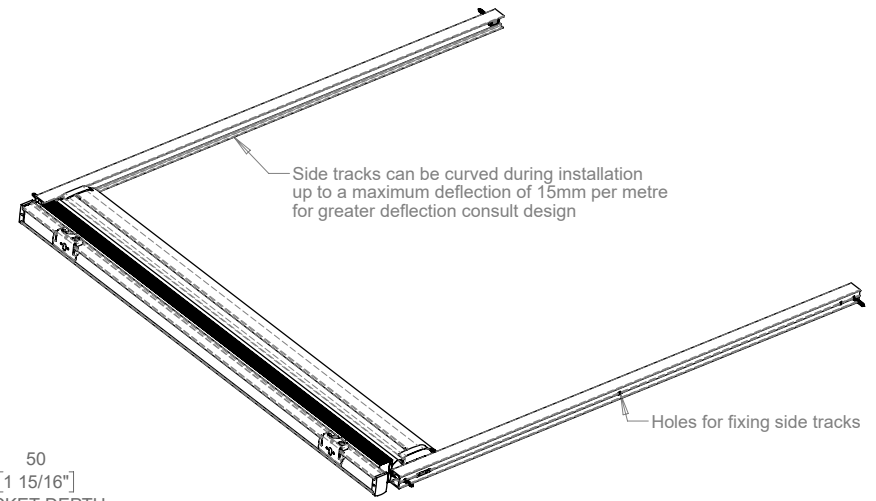
Powered



For a larger deflection separate CAD or template are required to pre bend sidetrack



SKYSOL Track Large Order Form and Product Guide Manual



For a larger deflection separate CAD or template are required to pre bend sidetrack

