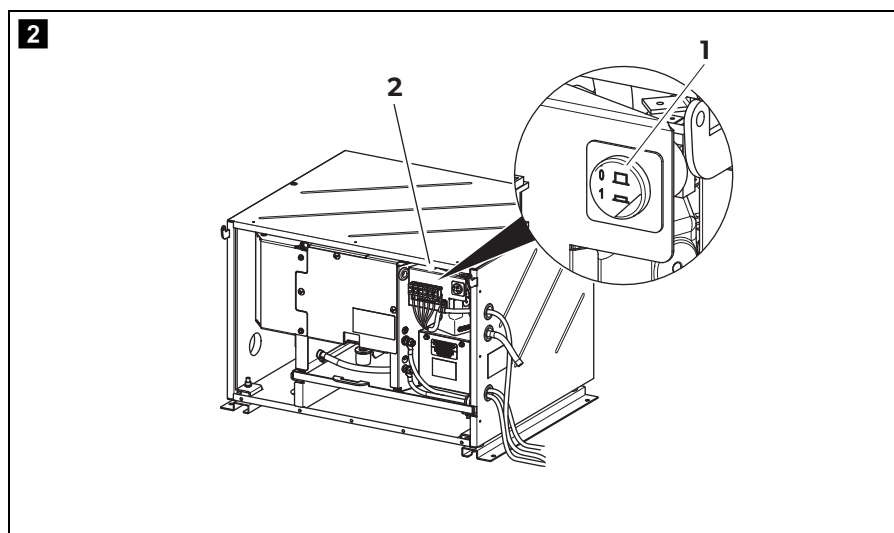
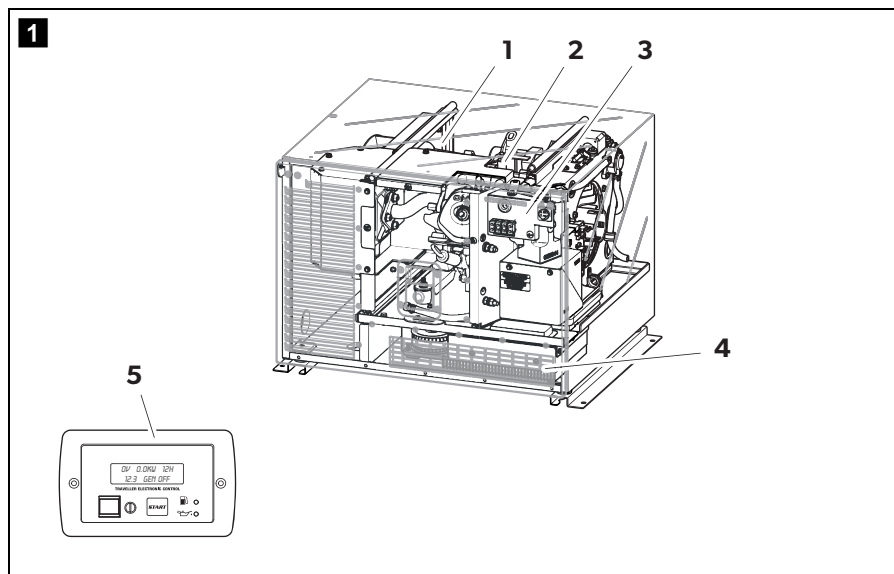


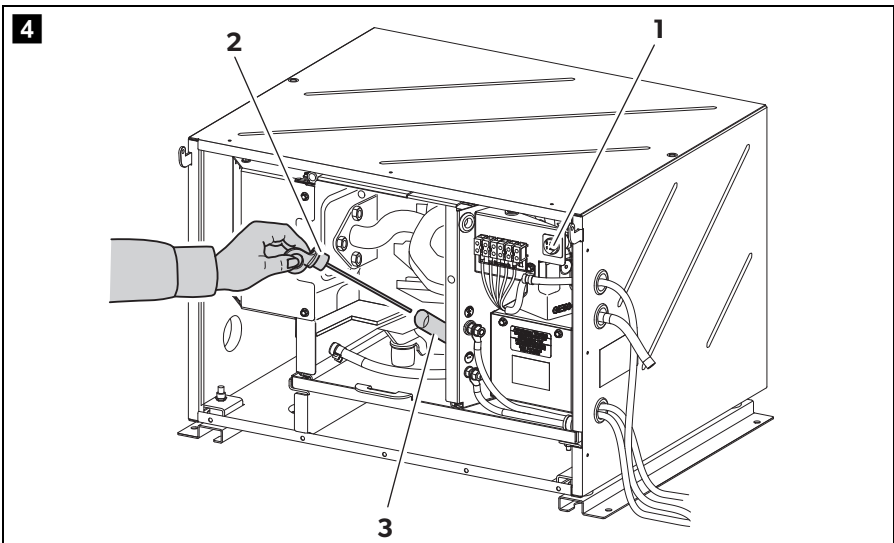
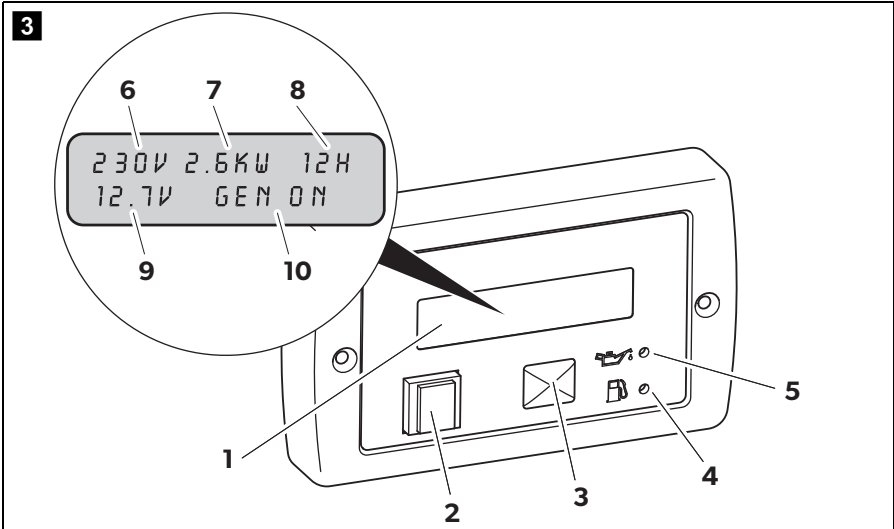
↗ DOMETIC POWER & CONTROL TEC

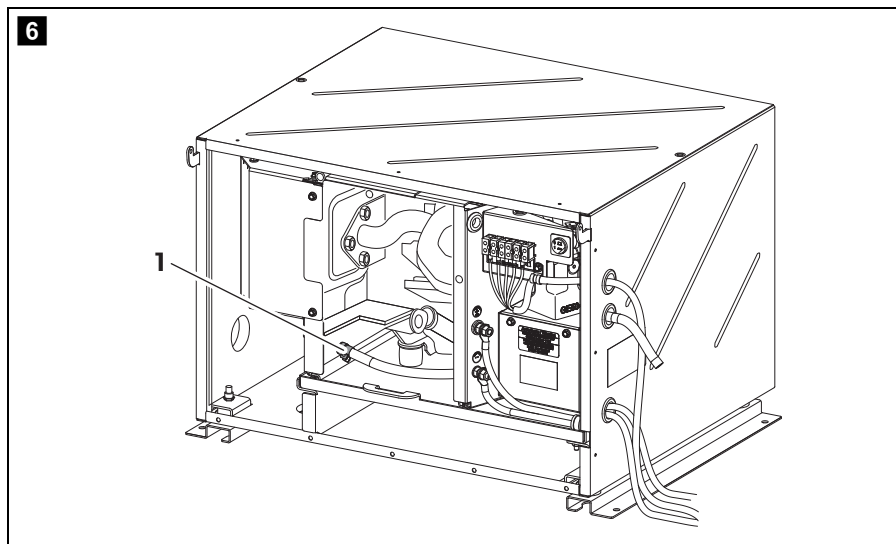
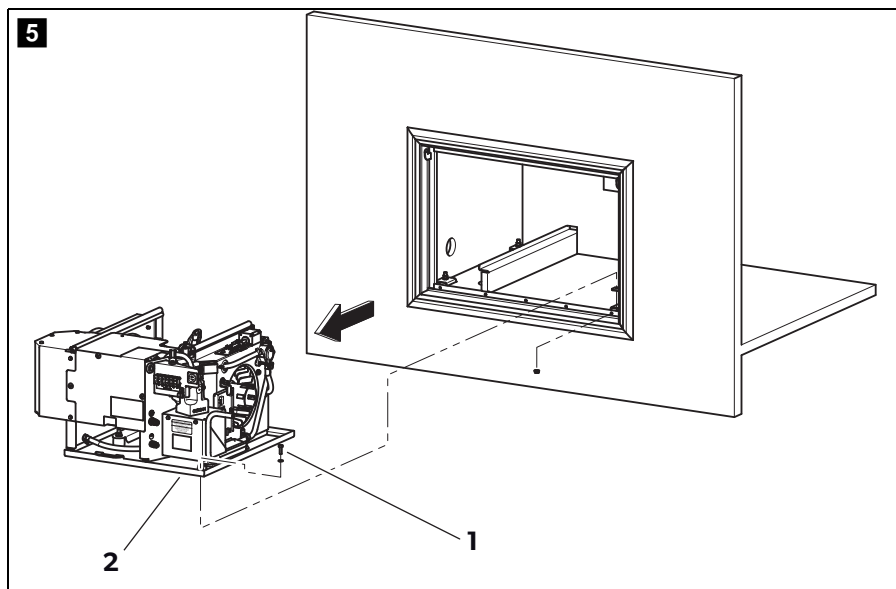


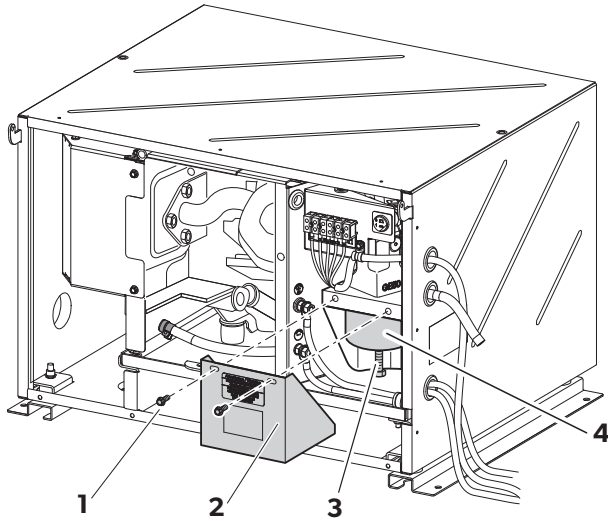
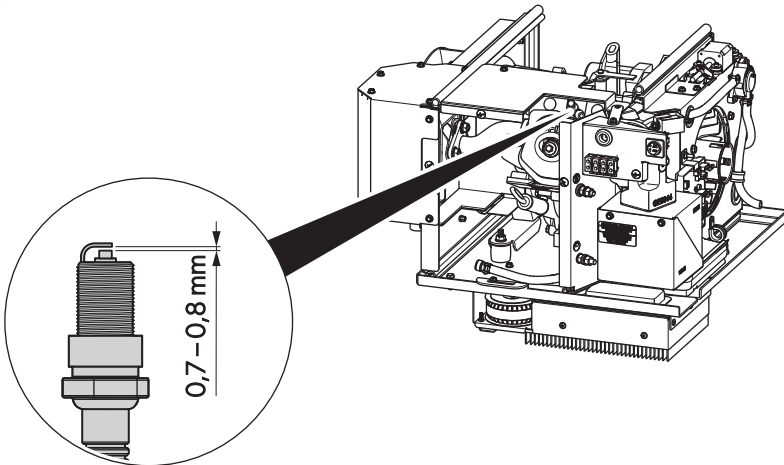
TEC60EV

EN	Generator Operating manual	8
DE	Generator Bedienungsanleitung	27
FR	Générateur Notice d'utilisation	48
ES	Generador Instrucciones de uso	70
PT	Gerador Manual de instruções	91
IT	Generatore Istruzioni per l'uso	112
NL	Generator Gebruiksaanwijzing	133
DA	Generator Betjeningsvejledning	153
SV	Generator Bruksanvisning	173
NO	Generator Bruksanvisning	192
FI	Generaattori Käyttöohje	211
RU	Генератор Инструкция по эксплуатации	231
PL	Generator Instrukcja obsługi	253
SK	Generátor Návod na obsluhu	274
CS	Generátor Návod k obsluze	293
HU	Generátor Használati utasítás	313

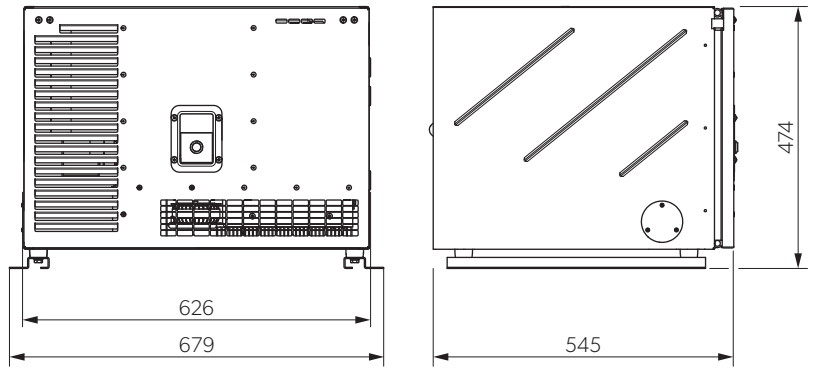






7**8**

9



Please read this instruction manual carefully before first use, and store it in a safe place. If you pass on the product to another person, hand over this instruction manual along with it.

Table of contents

1	Explanation of symbols	8
2	Safety instructions	9
3	Target group for this manual.	11
4	Scope of delivery	11
5	Accessories	12
6	Intended use	12
7	Technical description	12
8	Operating the generator	14
9	Cleaning the generator.	19
10	Servicing the generator	19
11	Troubleshooting	24
12	Warranty	25
13	Disposal	25
14	Technical data	26

1 Explanation of symbols



WARNING!

Safety instruction: Indicates a hazardous situation that, if not avoided, could result in death or serious injury.



CAUTION!

Safety instruction: Indicates a hazardous situation that, if not avoided, could result in minor or moderate injury.

**NOTICE!**

Indicates a situation that, if not avoided, can result in property damage.

**NOTE**

Supplementary information for operating the product.

2 Safety instructions

Please observe the prescribed safety instructions and stipulations from the vehicle manufacturer and service workshops.

The manufacturer accepts no liability for damage in the following cases:

- Damage to the product resulting from mechanical influences and incorrect connection voltage
- Alterations to the product without express permission from the manufacturer
- Use for purposes other than those described in the operating manual

In particular, the manufacturer will not be liable for any consequential damage, especially consequential damage caused by failure of the generator.

Note the following basic safety information when using electrical devices to protect against:

- Electric shock
- Fire hazards
- Injury

2.1 General safety



WARNING! Failure to obey these warnings could result in death or serious injury.

Health hazard

- Only use the device as intended.
- Do not make any alterations or conversions to the device.

- Installation, maintenance and repairs of the generator may only be carried out by qualified personnel who are familiar with the risks involved when handling generators as well as the relevant regulations. Inadequate repairs may cause serious hazards. For repair service, please contact the manufacturer's branch office in your country (see back page).
- People (including children) whose physical, sensory or mental capacities prevent them from using this device safely may not be allowed to operate it without the supervision of a responsible adult.

Risk of asphyxiation

- Exhaust fumes contain carbon monoxide which is a highly toxic, odourless and colourless gas. Do not inhale any exhaust fumes. Do not leave the generator motor running in a closed garage or in a room without windows.

Electrical shock

• Electrical devices are not toys

Keep electrical devices out of reach of children or infirm persons. Do not allow them to use electrical devices without supervision.



CAUTION! Failure to obey these cautions could result in minor or moderate injury.

Health hazard

- The generator may only be used with the flap closed.

Fire hazard

- Remove all flammable materials such as petrol, paints, solvents, etc., from the vicinity of the generator.
- Ensure that hot parts of the generator do not come in contact with any flammable materials.
- Only refuel the generator when it is switched off and in a well-ventilated area. Petrol and liquid gas are highly flammable and can explode.
- Do not refuel the generator when the vehicle engine is running if the tank is in the vicinity of the generator.
- If petrol is spilled, wipe it up properly and wait until the fumes have cleared before turning on the engine.

Electrical shock

- Do not touch the generator and the cables with wet hands.
- Replace the fuses or thermo switch using only those with the same technical data.

- Only operate the device if you are certain that the housing and the cables are undamaged.



NOTICE! Damage hazard

- Do not fill up the tank too full. Petrol must not be allowed to fill up to the neck of the tank. Check the lid is on properly.
- If a welding operation has been done on the vehicle disconnect all generator cables, otherwise the electronics may be damaged.

2.2 Operating the device safely



WARNING! Failure to obey these warnings could result in death or serious injury.

Electrical shock

- Always disconnect the power supply when working on the device.

3 Target group for this manual

This operating manual is for the user of the generator.

4 Scope of delivery

Designation

TEC60EV generator

Changeover relay for making priority circuits

Control panel

Silencer

Exhaust pipe

Mounting material for silencer

Connection cables

Mounting material

Installation manual

Operating manual

5 Accessories

Available as accessories (not included in the scope of delivery):

Part designation	Reference no.
PR 250133, external sealing kit	9600025375

6 Intended use

The generator TEC60 EV is designed for use in motor homes, camper vans and vehicles for commercial use.

The generator is **not** suitable for installation in water vessels.

The generator produces a pure sine wave voltage of 230 V/50 Hz which can be connected to the consumer with a total continuous load of 6200 W.

The power quality is also suitable for sensitive consumers (such as PCs).

The generator can charge a 12 V battery.

7 Technical description

The generator consists of the following main parts (fig. **1**, page 3):

- Power generator with permanent magnets **(1)**
- Combustion engine **(2)**
- Connection box **(3)**
- Inverter **(4)**
- Control panel **(5)**

The combustion engine **(2)** drives the power generator connected to it **(1)**, which in turn generates AC voltage.

The internal inverter **(4)** transforms this AC voltage into a stable voltage of 230 V and 50 Hz.

The terminals and the main switch are installed in the connection box **(3)** located behind the door.

The control panel is used to operate the device **(5)**.

The generator has an integrated battery charger for charging the connected battery.


Control elements in the connection box

The connection box is located on the generator behind the cover.

No. in fig. 2 , page 3	Description	
1	Main switch	Switches the generator to standby or no function.
2	Thermal protection of the inverter	Activates if the inverter overheats (see chapter "Display messages" on page 16)

Control elements in the control panel

The control panel is installed in the vehicle interior.

No. in fig. 3 , page 4	Description	
1	Display	Shows the status reports.
2	On/Off switch 	Switches the control panel on and off if the main switch is at "I" or "1". Stops the generator in emergency.
3	Grey button START/STOP	Starts/stops the generator if the control panel is switched on and the main switch is at "I" or "1".
4	Petrol gauge	Lights up if the petrol goes into reserve.
5	Oil gauge	Lights up if the oil level is too low in the engine.

Displays

No. in fig. 3, page 4	Description	
6	AC supply	Actual voltage output
7	Constant output	Current capacity of connected consumer
8	Operating hours	Time the generator is in operation
9	DC voltage	Battery charging voltage
10	Messages	Status reports of the generator (see chapter "Display messages" on page 16)

8 Operating the generator



NOTICE! Damage hazard

Do not run the generator over 70 % of the maximum constant output for the first 50 operating hours (run-in phase).



NOTE

By doing this you can prolong the service life of the generator and optimise its output:
run the generator at a maximum of approx. 75 % of the maximum continuous load after the run-in phase.

8.1 Basic notes on operation



CAUTION! Beware of injury

Do not insert your fingers or objects into the air nozzles or the intake grille.

Please note the following basic information:

- Always check the oil level before use (chapter "Checking the oil level" on page 18).
- Even small overloads in the long-run will cause the generator to stop.
- Leave the generator running for a few minutes after use without any consumers before stopping it.

- Abrupt braking, accelerating and driving round bends in the vehicle can cause problems in the generator's pump system and lead to unwanted shutdown.
- If you are not using your generator for a longer period of time, start it up at least every 30 days and leave it running for 15 minutes or more.

8.2 Switching the generator to standby or no function

The generator can be switched to standby or no function with the main switch (fig. **2** 1, page 3) in the connection box.

8.3 Switching the control panel on and off

This switch on the control panel (fig. **3** 2, page 4) is for switching the control panel on and off.

- Switch the control panel on with the on/off switch.
- ✓ The display shows: *GEN OFF*.
The display switches off automatically after 5 minutes if the start button is not touched within this time.
Press the start button to switch on the display again.
- ✓ The generator can now be started.

8.4 Starting the generator

The generator can only be started if it is in standby and the control panel is switched on.

- Start up the generator with the grey button "START/STOP" (fig. **3** 3, page 4).

8.5 Stopping the generator

- Stop the generator with the grey button "START/STOP" (fig. **3** 3, page 4).
- ✓ The inverter shuts down immediately. The engine runs for 30 seconds to cool down, then the engine stops too.



NOTICE! Damage hazard

Always stop the generator with the grey button "START/STOP" to avoid engine damages. The turn off procedure with the red button has to be used only for emergency.

8.6 Display messages

Display message Description	Generator behaviour	Measures
<i>LOW BATTERY</i> The battery voltage has fallen below the minimum value for starting up (9 V).	The generator does not start.	Charge the battery.
<i>CHECK OIL LEVEL</i>	The generator continues to run.	Fill up with oil (see chapter "Checking the oil level" on page 18).
<i>OIL CHANGE</i> The number of prescribed operating hours has been reached for changing the engine oil.	The generator continues to run.	Change the oil (see chapter "Changing the oil" on page 21), then confirm the message by pressing and holding down the button START/STOP. Restart the generator by again pressing and holding down the button START/STOP.
<i>NO FUEL</i> The petrol in the tank is in reserve.	The generator continues to run.	Refuel.
<i>OIL ALERT</i> Insufficient engine oil.	The generator stops.	Fill up with oil (see chapter "Checking the oil level" on page 18).
<i>GENERATOR ALERT!</i> General alarm message Example: The control ring on the throttle valve of the carburettor (stepper motor) is faulty.	The generator stops.	Check the system by referring to the troubleshooting table. If the problem persists, contact the manufacturer's branch office in your country (see back page).
<i>OVERLOAD!</i> The consumers generate an overload at the output.	The inverter switches off, therefore no voltage is supplied but the engine carries on running until it goes off.	Reduce the connected load and start the generator again.
<i>SHORT CIRCUIT</i> The consumers cause a short circuit at the output.	The inverter switches off, therefore no voltage is supplied but the engine carries on running until it goes off.	Check the connected consumers then start the generator again.
<i>OVER TEMPERATURE</i> Overheating	The inverter switches off so no voltage is supplied to cool the generator, but the engine carries on running.	Leave the engine to cool down for a few minutes then start the generator again.

Display message Description	Generator behaviour	Measures
<i>LOW POWER ENGINE</i> The inverter supply voltage has dropped.	The generator stops.	Reduce the connected load and start the generator again.
<i>OVERSPEED</i> RPM too high	The generator stops.	Press the button START/STOP to restart the generator. If the problem persists, contact the manufacturer's branch office in your country (see back page).
<i>START FAILED</i> Example: No fuel, cold temperature, spark plug to be replaced, dirty air filter	The generator is switched off.	Press the start button to restart the generator.
<i>GEN CAL</i> Message appears when the generator is started up; it shows the calibration phase which takes place before each start-up. The generator does not supply any voltage.	The generator is running but does not supply any voltage.	Wait a moment.
<i>GEN WAIT</i> Message appears while you are waiting for the generator to start again.	The generator is switched off.	Wait until the message has disappeared then attempt ignition again.
<i>GEN ON</i> The generator is operating normally.	Normal mode	–
<i>GEN OFF</i>	The generator is idle and can be started.	–
<i>GEN STOP</i>	The generator is stopped.	Wait a moment.
<i>WAIT COOLING</i>	The engine is running without load to cool down the system.	Wait a moment.
<i>INVERTER LOST COMM</i>	The generator stops.	Check the system by referring to the troubleshooting table. If the problem persists, contact the manufacturer's branch office in your country (see back page).

Display message Description	Generator behaviour	Measures
<i>ENGINE LOST COMM</i>	The generator stops.	Check the system by referring to the troubleshooting table. If the problem persists, contact the manufacturer's branch office in your country (see back page).
<i>INVERTER FAILED</i>	The generator stops.	Contact the manufacturer's branch office in your country (see back page).
<i>ENG. PARAM. ERROR</i>	The generator stops.	Contact the manufacturer's branch office in your country (see back page).
<i>INV. PARAM. ERROR</i>	The generator stops.	Contact the manufacturer's branch office in your country (see back page).
<i>SOFTWARE ERROR</i>	The generator stops.	Contact the manufacturer's branch office in your country (see back page).

8.7 Checking the oil level



CAUTION! Risk of injury

Hot oil can cause burns.

Only check the oil level when the generator is switched off.



NOTE

The generator must be level.

Always check the oil level before use. To do this, proceed as follows:

- ▶ Open the generator flap.
- ▶ Switch the generator to no function with the main switch (fig. 4 1, page 4).
- ▶ Disconnect the positive terminal of the supply battery.
- ▶ Take the dipstick (fig. 4 2, page 4) out of the filler neck (fig. 4 3, page 4).
- ▶ Clean the dipstick (fig. 4 2, page 4) with a cloth.
- ▶ Put the dipstick (fig. 4 2, page 4) back into the filler neck (fig. 4 3, page 4).
- ▶ Take the dipstick (fig. 4 2, page 4) out of the filler neck.

- Check that the oil level is between the notch (maximum filling level) and the tip of the dipstick.
If not, top up with more oil.
- Put the dipstick (fig. **4** 2, page 4) back into the filler neck (fig. **4** 3, page 4).
- Check that the oil level is not above the maximum level.
- Connect the generator to the positive terminal of the supply battery.
- Switch the generator to standby with the main switch (fig. **4** 1, page 4).
- Close the generator flap.

9 Cleaning the generator



NOTICE! Damage hazard

- Do not clean the generator with a high-pressure cleaner. Exposure to water can damage the generator.
- Do not use sharp or hard objects or cleaning agents for cleaning as these may damage the generator.
- To clean the generator, use water with a gentle cleaning agent. Never use petrol, diesel or solvents.

- Clean the generator with a damp cloth from time to time.
- Remove any dirt from the air vents in the generator at regular intervals. Make sure you do not damage the grilles of the generator in the process.

10 Servicing the generator



NOTE

Find your Dometic service partner on the internet:
service-location.dometic.com

10.1 Maintenance table



WARNING!

Only have maintenance work carried out by specialist personnel who are familiar with the relevant regulations. Inadequate maintenance may cause serious hazards.

**NOTE**

Have the following maintenance work performed at regular intervals or after the specified number of operating hours, whichever is sooner.

Interval	Inspection/maintenance
In the first month or after 20 hours.	<ul style="list-style-type: none"> ➤ Change the oil. ➤ Check the air filter (chapter "Servicing the air filter" on page 22).
Every 3 months or after 50 hours.	<ul style="list-style-type: none"> ➤ Check the air filter (chapter "Servicing the air filter" on page 22).
Every 6 months or after 100 hours.	<ul style="list-style-type: none"> ➤ Change the oil. ➤ Check the spark plug (chapter "Servicing the spark plugs" on page 23).
Once a year or every 300 hours	<ul style="list-style-type: none"> ➤ Check the valves. ➤ Check the fuel tank and fuel filter. ➤ Check the vibration damper.
Every two years	<ul style="list-style-type: none"> ➤ Check the petrol supply lines.

10.2 Preparing maintenance work

**CAUTION! Risk of injury**

Note the following for all maintenance work:

- The generator must not be running.
- All the parts must be cooled down.

- Open the generator flap.
- Switch the generator to no function with the main switch (fig. **2** 1, page 3).
- Disconnect the positive terminal of the supply battery.

For maintenance work, you can take the generator out (fig. **5**, page 5):

**WARNING! Risk of injury**

The mounting plate with generator is very heavy (> 70 kg) and could fall out the housing if you take it out too far.

- Undo the fastening screws (**1**).
- Remove the mounting plate (**2**) with the generator from the housing (**3**).

10.3 Finishing maintenance work

- Connect the generator to the positive terminal of the supply battery.
- Switch the generator to standby with the main switch (fig. **4** 1, page 4).
- Close the generator flap.

10.4 Changing the oil



CAUTION! Risk of injury

Hot oil can cause burns.



NOTICE! Damage hazard

Only dispose of used oil at a specialist recycling station and observe the local laws for environmental protection.

You may use the following oil:

- SAE 5W-30 grade oil (can be used at any temperature).
- Oil with single grade oil viscosity.
Select the appropriate viscosity according to the average temperature on-site.

Change the oil as follows:

- Allow the generator to run until warm so that the oil can drain off faster and completely.
- Place a suitable receptacle under the drain plug (fig. **6** 1, page 5).
- Remove the dipstick.
- Take out the drain plug (fig. **6** 1, page 5).
- ✓ The oil drains off.
- Pour fresh oil into the filler neck.
The amount of oil is: 1.1 l.
- Put the drain plug in.

10.5 Servicing the air filter



WARNING! Danger of explosions

Do not use diesel oil or solvents with low boiling points for cleaning the air filter. They could ignite or explode.



NOTICE! Damage hazard

Never leave the engine running without an air filter. Otherwise this quickly wears out the engine.



NOTE

If the air filter is dirty, the air flow to the carburettor is reduced. Check the filter regularly so that the carburettor can function properly. Check this more frequently if the generator is being used in particularly dusty environments.

- Prepare the maintenance work and pull the generator out of the housing slightly: see chapter "Preparing maintenance work" on page 20.
- Remove the screws (fig. **7** 1, page 6) and the filter cover (fig. **7** 2, page 6).
- Remove the screw (fig. **7** 3, page 6).
- Take out the air filter (fig. **7** 4, page 6).
The air filter consists of two parts: a sponge filter and a paper filter.
- Check the condition of both parts of the filter carefully. Replace the damaged filter parts.
- Clean the undamaged filter parts; see the following section.
- Put the filter in.
- Reinstall the screw.
- Put the filter cover on.
- Finish the maintenance work, see chapter "Finishing maintenance work" on page 21.

Cleaning the sponge filter

- Wash the sponge with a neutral detergent solution and rinse it thoroughly.
- Leave the sponge to dry completely.

- Soak the sponge in fresh engine oil.
- Squeeze out the excess oil.

Cleaning the paper filter

- Knock the dirt off the paper by banging it lightly on a hard surface or use compressed air to blow through the filter.
Do **not** brush the paper as this will push the dirt into the fibres of the paper filter.
- Change the paper filter if it is heavily soiled.

10.6 Servicing the spark plugs



NOTICE! Damage hazard

- Screw the spark plugs in carefully. A loose spark plug can get very hot and damage the engine.
- Only use the same type of spark plugs.
- When you insert a new spark plug, screw it in by 1/2 a turn once it is firmly on the washer. If you are using used spark plugs, turning them 1/8 or 1/4 is suffice.

- Prepare the maintenance work, see chapter "Preparing maintenance work" on page 20.
- Remove the spark plug connector.
- Remove the spark plug using a spark plug wrench.
- Make a visual inspection of the spark plug.
Replace the spark plug if it is clearly worn or the isolator is damaged or broken.
If the spark plug is just dirty, clean it with a steel brush.
- Measure the distance between the electrodes with a thickness gauge (fig. **8**, page 6). It must be 0.7 – 0.8 mm and can be corrected by bending the electrode if necessary.
- Check whether the spark plug seal is intact.
- Screw in the spark plug by hand to avoid damaging the thread.
- Tighten the spark plug using a spark plug wrench so that the washer is pressed together.
- Finish the maintenance work, see chapter "Finishing maintenance work" on page 21.

11 Troubleshooting

Fault	Cause	Remedy
The control panel does not come on when the on/off switch is pressed.	Starter battery is flat.	➤ Charge the starter battery.
	The fuse (if available) is blown.	➤ Contact an authorised workshop.
The starter does not work when the start button is pressed.	Starter battery is flat.	➤ Charge the starter battery.
	The main switch is at "0".	➤ Set the main switch to "1" or "1".
	Internal board is damaged.	➤ Contact an authorised workshop.
	Starter is not receiving any power.	
The starter turns but the generator does not start.	No petrol.	➤ Fill up with petrol.
	Too much oil in the engine.	➤ Drain the oil.
	Spark plug is not receiving any power.	➤ Check the electric connections.
	Carburettor is not receiving any petrol.	➤ Clean the carburettor.
	Air intake is blocked.	➤ Check the air filter (see chapter "Servicing the air filter" on page 22).
	Inverter is damaged.	➤ Contact an authorised workshop.
The generator tends to go off.	Too much oil in the engine.	➤ Drain the oil.
	Load is over 6,2 kW.	➤ Switch off the consumers.
	Carburettor is not receiving any petrol.	➤ Clean the carburettor.
	Air intake is blocked.	➤ Check the air filter (see chapter "Servicing the air filter" on page 22).
	Inverter is damaged.	➤ Contact an authorised workshop.
	Electromagnet (inverter) is blocked.	
	Air filter is dirty.	➤ Check the air filter (see chapter "Servicing the air filter" on page 22).
Fuel filter is dirty.	➤ Replace the fuel filter.	
The generator is running but does not supply any voltage.	Inverter is damaged.	➤ Check the output wiring connection
	RPM too low.	➤ Contact an authorised workshop.

Fault	Cause	Remedy
The generator starts up very fast and then the "GENERATOR ALERT" message appears.	The stepper motor is faulty.	➤ Contact an authorised workshop.
The generated voltage is unstable.	Inverter is damaged.	➤ Contact an authorised workshop.

12 Warranty

The statutory warranty period applies. If the product is defective, please contact the service partner in your country (see back page).

Our experts will be happy to help you and will discuss the warranty process with you in more detail.

13 Disposal

- Place the packaging material in the appropriate recycling waste bins wherever possible.



If you wish to finally dispose of the product, ask your local recycling centre or specialist dealer for details about how to do this in accordance with the applicable disposal regulations.



Protect the environment!

Do not dispose of any batteries with general household waste. Return defective or used batteries to your retailer or dispose of them at collection points.

14 Technical data

	TEC60EV
Ref. no.:	9102900303
Rated output voltage:	230 V~ / 50 Hz
Max. constant output (at 25 °C at sea level):	6200 W
Battery charger output voltage:	12 V===
Battery charger max. output current:	30 A
Operating temperature range:	-15 °C to +50 °C
Total harmonic distortion:	<3 %
Fuel:	RON 91 regular grade petrol
Consumption:	max. 3.7 l/h
Motor output:	6.6 kW (8.9 PS)
Max. revolutions per minute:	3600 min ⁻¹
Motor oil:	1.1 l
CO ₂ value	743 g/kW-hr
Sound level:	91 dB(A)
Sound level at distance of 7 m:	66 dB(A)
Dimensions:	see fig. 9 , page 5
Weight:	110 kg
Inspection/certification:	 

This CO₂ measurement results from testing over a fixed test cycle under laboratory conditions a(n) (parent) engine representative of the engine type (engine family) and shall not imply or express any guarantee of the performance of a particular engine.

Bitte lesen Sie diese Anleitung vor der Inbetriebnahme sorgfältig durch und bewahren Sie sie auf. Geben Sie sie im Falle einer Weitergabe des Produktes an den Nutzer weiter.

Inhaltsverzeichnis

1	Erklärung der Symbole	27
2	Sicherheitshinweise	28
3	Zielgruppe dieser Anleitung	30
4	Lieferumfang	30
5	Zubehör	31
6	Bestimmungsgemäßer Gebrauch	31
7	Technische Beschreibung	32
8	Generator bedienen	33
9	Generator reinigen	39
10	Generator warten	40
11	Störungen beseitigen	45
12	Gewährleistung	46
13	Entsorgung	46
14	Technische Daten	47

1 Erklärung der Symbole



WARNUNG!

Sicherheitshinweis auf eine Gefahrensituation, die zum Tod oder zu schwerer Verletzung führen kann, wenn sie nicht vermieden wird.



VORSICHT!

Sicherheitshinweis auf eine Gefahrensituation, die zu einer leichten oder mittelschweren Verletzung führen kann, wenn sie nicht vermieden wird.

**ACHTUNG!**

Hinweis auf eine Situation, die zu Sachschäden führen kann, wenn sie nicht vermieden wird.

**HINWEIS**

Ergänzende Informationen zur Bedienung des Produktes.

2 Sicherheitshinweise

Beachten Sie die vom Fahrzeughersteller und vom Kfz-Handwerk vorgeschriebenen Sicherheitshinweise und Auflagen!

Der Hersteller übernimmt in folgenden Fällen keine Haftung für Schäden:

- Beschädigungen am Produkt durch mechanische Einflüsse und falsche Anschlussspannung
- Veränderungen am Produkt ohne ausdrückliche Genehmigung vom Hersteller
- Verwendung für andere als die in der Anleitung beschriebenen Zwecke

Er haftet insbesondere nicht für jegliche Folgeschäden, insbesondere auch nicht für Folgeschäden, die durch den Ausfall des Generators entstehen können.

Beachten Sie folgende grundsätzliche Sicherheitsmaßnahmen beim Gebrauch von elektrischen Geräten zum Schutz vor:

- elektrischem Schlag
- Brandgefahr
- Verletzungen

2.1 Grundlegende Sicherheit



WARNUNG! Nichtbeachtung dieser Sicherheitshinweise kann zum Tod oder zu schweren Verletzungen führen.

Gesundheitsgefahr

- Benutzen Sie das Gerät nur zu seinem bestimmungsgemäßen Gebrauch.
- Führen Sie keine Änderungen oder Umbauten am Gerät durch!

- Die Installation, Wartung und Reparaturen des Generators dürfen nur von Fachkräften durchgeführt werden, die mit den Gefahren beim Umgang mit Generatoren sowie den einschlägigen Vorschriften vertraut sind. Durch unsachgemäße Reparaturen können erhebliche Gefahren entstehen. Wenden Sie sich im Reparaturfall an die Niederlassung des Herstellers in Ihrem Land (siehe Rückseite).
- Personen (einschließlich Kinder), die aufgrund ihrer physischen, sensorischen oder geistigen Fähigkeiten oder ihrer Unerfahrenheit oder Unkenntnis nicht in der Lage sind, das Gerät sicher zu benutzen, sollten dieses Gerät nicht ohne Aufsicht oder Anweisung durch eine verantwortliche Person nutzen.

Erstickungsgefahr

- Die Abgase enthalten Kohlenmonoxid, ein äußerst giftiges, geruchloses und farbloses Gas. Atmen Sie die Abgase nicht ein. Lassen Sie den Motor des Generators nicht in einer geschlossenen Garage oder in einem fensterlosen Raum laufen.

Stromschlag

Elektrogeräte sind kein Kinderspielzeug!

Kinder können Gefahren, die von elektrischen Geräten ausgehen, nicht richtig einschätzen. Lassen Sie Kinder nicht ohne Aufsicht elektrische Geräte benutzen.



VORSICHT! Nichtbeachtung dieser Sicherheitshinweise kann zu leichten oder mittelschweren Verletzungen führen.

Gesundheitsgefahr

- Der Generator darf ausschließlich bei geschlossener Klappe benutzt werden.

Brandgefahr

- Entfernen Sie alle leicht brennbaren Materialien wie Benzin, Lacke, Lösungsmittel usw. aus der Nähe des Generators.
- Vergewissern Sie sich, dass keine heiß werdenden Teile des Generators mit leicht brennbaren Materialien in Berührung kommen.
- Tanken Sie den Generator nur abgeschaltet und in einem gut belüfteten Bereich auf. Benzin und Flüssiggas sind hoch entzündlich und können explodieren.
- Tanken Sie den Generator nicht bei angestelltem Fahrzeugmotor, wenn sich der Tank in der Nähe des Generators befindet.

- Wenn Benzin verschüttet wird, wischen Sie es gut auf und warten Sie vor dem Einschalten des Motors, bis sich die Dämpfe verzogen haben.

Stromschlag

- Berühren Sie den Generator und die Leitungen nicht mit feuchten Händen.
- Ersetzen Sie die Sicherungen oder Thermoschalter nur durch solche mit denselben technischen Daten.
- Betreiben Sie das Gerät nur, wenn das Gehäuse und die Leitungen unbeschädigt sind.



ACHTUNG! Beschädigungsgefahr

- Füllen Sie den Benzintank nicht zu voll. Im Hals des Tanks darf sich kein Benzin befinden. Kontrollieren Sie, ob der Deckel richtig geschlossen ist.
- Wenn Schweißarbeiten am Fahrzeug durchgeführt werden müssen, trennen Sie alle Kabel zum Generator; sonst kann die Elektronik beschädigt werden.

2.2 Sicherheit beim Betrieb des Gerätes



WARNUNG! Nichtbeachtung dieser Sicherheitshinweise kann zum Tod oder zu schweren Verletzungen führen.

Stromschlag

- Unterbrechen Sie bei Arbeiten am Gerät immer die Stromversorgung.

3 Zielgruppe dieser Anleitung

Diese Bedienungsanleitung wendet sich an den Anwender des Generators.

4 Lieferumfang

Bezeichnung
Generator TEC60EV
Umschaltrelais zur Realisierung einer Vorrangschaltung
Bedienpanel

Bezeichnung

Schalldämpfer

Abgasleitung

Befestigungsmaterial für den Schalldämpfer

Anschlusskabel

Befestigungsmaterial

Einbauanleitung

Bedienungsanleitung

5 Zubehör

Als Zubehör erhältlich (nicht im Lieferumfang enthalten):

Teilebezeichnung**Artikelnummer**

PR 250133, externer Dichtungssatz

9600025375

6 Bestimmungsgemäßer Gebrauch

Der Generator TEC60EV ist ausgelegt für die Verwendung in Wohnwagen, Wohnmobilen und kommerziell genutzten Fahrzeugen.

Der Generator ist **nicht** für die Installation in Wasserfahrzeugen geeignet.

Der Generator erzeugt eine reine Sinus-Wechselspannung von 230 V/50 Hz, an die Verbraucher angeschlossen werden können mit einer Gesamtdauerlast von 6200 W.

Die Stromqualität ist auch für empfindliche Verbraucher (z. B. PCs) geeignet.

Der Generator kann eine 12-V-Batterie aufladen.

7 Technische Beschreibung

Der Generator besteht aus folgenden Hauptelementen (Abb. **1**, Seite 3):

- Stromgenerator mit Dauermagneten (**1**)
- Verbrennungsmotor (**2**)
- Anschlussbox (**3**)
- Inverter (**4**)
- Bedienpanel (**5**)

Der Verbrennungsmotor (**2**) versetzt den fest mit ihm verbundenen Stromgenerator (**1**) in Drehung, und dieser erzeugt eine Wechselspannung.

Der interne Inverter (**4**) formt diese Wechselspannung zu einer stabilen Spannung von 230 V und 50 Hz.

An der Anschlussbox (**3**) hinter der Tür sind die Anschlussklemmen und der Hauptschalter angebracht.

Die Bedienung erfolgt über ein Bedienpanel (**5**).

Der Generator besitzt einen integrierter Batterielader zum Aufladen der angeschlossenen Batterie.


Bedienelemente am Generator

Die Anschlussbox des Generators befindet sich hinter der Klappe.

Pos. in Abb. 2 , Seite 3	Beschreibung	
1	Hauptschalter	Schaltet den Generator betriebsbereit oder funktionslos.
2	Thermische Sicherung	Löst aus bei Überhitzung des Inverters (siehe Kapitel „Displaymeldungen“ auf Seite 35)

Bedienelemente am Bedienpanel

Das Bedienpanel ist im Fahrzeuginneren angebracht.

Pos. in Abb. 3, Seite 4	Beschreibung	
1	Display	Zeigt Statusmeldungen an.
2	Ein-/Ausschalter „  “	Schaltet das Bedienpanel ein und aus, wenn der Hauptschalter auf „I“ bzw. „1“ steht. Stoppt den Generator im Notfall.
3	Grauer Taster „START/STOP“	Startet/stoppt den Generator, wenn das Bedienpanel eingeschaltet ist und der Hauptschalter auf „I“ bzw. „1“ steht.
4	Benzinanzeige	Leuchtet, wenn das Benzin auf Reserve steht.
5	Ölanzeige	Leuchtet, wenn der Ölstand im Motor zu gering ist.

Displayanzeigen

Pos. in Abb. 3, Seite 4	Beschreibung	
6	Wechselspannung	Aktuelle Ausgangsspannung
7	Dauerleistung	Aktuelle Leistung der angeschlossenen Verbraucher
8	Betriebsstunden	Zeit, die der Generator im Betrieb ist
9	Gleichspannung	Ladespannung der Batterie
10	Meldungen	Statusmeldung des Generators (siehe Kapitel „Displaymeldungen“ auf Seite 35)

8 Generator bedienen



ACHTUNG! Beschädigungsgefahr

Beanspruchen Sie den Generator in den ersten 50 Betriebsstunden (Einlaufphase), nicht über 70 % der maximalen Dauerleistung.



HINWEIS

So können Sie die Lebensdauer des Generators verlängern und seine Leistung optimieren:
Beanspruchen Sie den Generator nach der Einlaufphase maximal mit einer Last von ca. 75 % der maximalen Dauerleistung.

8.1 Grundsätzliche Hinweise zur Bedienung



VORSICHT! Verletzungsgefahr

Stecken Sie keine Finger oder Gegenstände in die Luftdüsen oder das Ansauggitter.

Beachten Sie folgende grundsätzliche Hinweise:

- Kontrollieren Sie vor jeder Verwendung den Ölstand (Kapitel „Ölstand kontrollieren“ auf Seite 38).
- Auch geringe Überlastungen führen auf Dauer dazu, dass der Generator stoppt.
- Lassen Sie den Generator nach dem Gebrauch einige Minuten ohne Verbraucher in Betrieb, bevor Sie ihn stoppen.
- Scharfes Abbremsen, Beschleunigen und Kurvenfahrten des Fahrzeugs können Probleme im Pumpsystem des Generators hervorrufen und zu seinem ungewollten Ausschalten führen.
- Wenn Sie den Generator für längere Zeit nicht benutzen, starten Sie ihn mindestens alle 30 Tage und lassen Sie ihn mindestens 15 Minuten laufen.

8.2 Generator betriebsbereit oder funktionslos schalten

Mit dem Hauptschalter (Abb. **2** 1, Seite 3) an der Anschlussbox wird der Generator betriebsbereit oder funktionslos geschaltet.

8.3 Bedienpanel ein- und ausschalten

Mit dem Ein-/Ausschalter (Abb. **3** 2, Seite 4) am Bedienpanel wird das Bedienpanel ein- und ausgeschaltet.

➤ Schalten Sie mit dem Ein-/Ausschalter das Bedienpanel ein.

✓ Das Display zeigt: *GEM OFF*.

Das Display schaltet sich nach 5 min automatisch aus, wenn innerhalb dieser Zeit der Startertaster nicht betätigt wurde.

Durch Drücken des Startertasters können Sie das Display wieder einschalten.

- ✓ Der Generator kann nun gestartet werden.

8.4 Generator starten

Der Generator kann nur gestartet werden, wenn er betriebsbereit geschaltet ist und wenn das Bedienpanel eingeschaltet ist.

- Starten Sie den Generator mit dem grauen Taster „START/STOP“ (Abb. **3** 3, Seite 4).

8.5 Generator stoppen

- Stoppen Sie den Generator mit dem grauen Taster „START/STOP“ (Abb. **3** 3, Seite 4).
- ✓ Der Inverter schaltet sofort ab. Der Generator läuft für 30 Sekunden weiter um den Generator zu kühlen, danach stoppt auch der Generator.



ACHTUNG! Beschädigungsgefahr

Stoppen Sie den Generator immer mit dem grünen Taster „START/STOP“, um Schäden am Generator zu vermeiden. Schalten Sie den Generator nur im Notfall am roten Hauptschalter funktionslos.

8.6 Displaymeldungen

Displaymeldung Beschreibung	Verhalten des Generators	Maßnahmen
<i>LOW BATTERY</i> Die Batteriespannung ist unter den Mindestwert für die Ausführung von Startversuchen abgesunken (9 V).	Der Generator springt nicht an.	Batterie laden.
<i>CHECK OIL LEVEL</i>	Der Generator läuft weiter.	Öl nachfüllen (siehe Kapitel „Ölstand kontrollieren“ auf Seite 38).

Displaymeldung Beschreibung	Verhalten des Generators	Maßnahmen
<p><i>OIL CHANGE</i> Die Zählung der Betriebsstunden hat den vorgegebenen Wert für den Motorölwechsel erreicht.</p>	Der Generator läuft weiter.	Den Ölwechsel durchführen (siehe Kapitel „Öl wechseln“ auf Seite 41), dann die Meldung durch anhaltendes Drücken des Tasters „START/STOP“ bestätigen. Den Generator durch weiteres anhaltendes Drücken des Tasters „START/STOP“ erneut starten.
<p><i>NO FUEL</i> Das Benzin im Tank steht auf Reserve.</p>	Der Generator läuft weiter.	Tanken.
<p><i>OIL ALERT</i> Motoröl fehlt.</p>	Der Generator stoppt.	Öl nachfüllen (siehe Kapitel „Ölstand kontrollieren“ auf Seite 38).
<p><i>GENERATOR ALERT!</i> Allgemeine Alarmmeldung Beispiel: Der Kontrollring der Drosselklappe vom Vergaser (Schrittmotor) ist defekt.</p>	Der Generator stoppt.	Das System mit Hilfe der Tabelle Störungen, Ursachen und Abhilfen überprüfen. Falls das Problem fortbesteht, wenden Sie sich an die Niederlassung des Herstellers in Ihrem Land (siehe Rückseite).
<p><i>OVERLOAD!</i> Die Verbraucher erzeugen eine Überlast am Ausgang.</p>	Der Inverter schaltet ab, daher wird keine Spannung mehr abgegeben, aber der Motor läuft weiter, bis er ausgeht.	Die angeschlossene Last verringern und den Generator erneut starten.
<p><i>SHORT CIRCUIT</i> Die Verbraucher erzeugen einen Kurzschluss am Ausgang.</p>	Der Inverter schaltet ab, daher wird keine Spannung mehr abgegeben, aber der Motor läuft weiter, bis er ausgeht.	Den Zustand der angeschlossenen Verbraucher kontrollieren, dann den Generator erneut starten.
<p><i>OVER TEMPERATURE</i> Überhitzung</p>	Der Inverter schaltet ab, daher wird keine Spannung mehr abgegeben, aber der Motor läuft weiter, um den Generator zu kühlen.	Den Generator abkühlen lassen, ein paar Minuten warten, dann den Generator erneut starten.
<p><i>LOW POWER ENGINE</i> Abfall der Versorgungsspannung des Inverters.</p>	Der Generator stoppt.	Die angeschlossene Last verringern und den Generator erneut starten.

Displaymeldung Beschreibung	Verhalten des Generators	Maßnahmen
<i>OVERSPEED</i> Zu hohe Drehzahl	Der Generator stoppt.	Den Generator erneut starten. Falls das Problem fortbesteht, wenden Sie sich an die Niederlassung des Herstellers in Ihrem Land (siehe Rückseite).
<i>START FAILED</i> Beispiel: Kein Benzin, kalte Temperaturen, defekte Zündkerze, verschmutzter Luftfilter	Der Generator ist ausgeschaltet.	Den Generator erneut starten.
<i>GEN CAL</i> Meldung, die beim Start des Generators erscheint; sie zeigt die Kalibrierungsphase an, die jedem Start vorangeht. Der Generator gibt noch keine Spannung ab.	Der Generator dreht, erzeugt aber keine Spannung.	Einen Augenblick warten.
<i>GEN WAIT</i> Meldung, die in der Pause zwischen zwei Startversuchen erscheint.	Der Generator ist ausgeschaltet.	Warten, bis die Meldung verschwindet, dann einen erneuten Zündversuch machen.
<i>GEN ON</i> Normaler Betrieb des Generators.	Normalbetrieb	–
<i>GEN OFF</i>	Der Generator steht still und kann gestartet werden	–
<i>GEN STOP</i>	Der Generator stoppt.	Einen Augenblick warten.
<i>WAIT COOLING</i>	Der Motor läuft ohne Last, um das System zu kühlen.	Einen Augenblick warten.
<i>INVERTER LOST COMM</i>	Der Generator stoppt.	Das System mit Hilfe der Tabelle Störungen, Ursachen und Abhilfen überprüfen. Falls das Problem fortbesteht, wenden Sie sich an die Niederlassung des Herstellers in Ihrem Land (siehe Rückseite).

Displaymeldung Beschreibung	Verhalten des Generators	Maßnahmen
<i>ENGINE LOST COMM</i>	Der Generator stoppt.	Das System mit Hilfe der Tabelle Störungen, Ursachen und Abhilfen überprüfen. Falls das Problem fortbesteht, wenden Sie sich an die Niederlassung des Herstellers in Ihrem Land (siehe Rückseite).
<i>INVERTER FAILED</i>	Der Generator stoppt.	Wenden Sie sich an die Niederlassung des Herstellers in Ihrem Land (siehe Rückseite).
<i>ENG. PARAM. ERROR</i>	Der Generator stoppt.	Wenden Sie sich an die Niederlassung des Herstellers in Ihrem Land (siehe Rückseite).
<i>INV. PARAM. ERROR</i>	Der Generator stoppt.	Wenden Sie sich an die Niederlassung des Herstellers in Ihrem Land (siehe Rückseite).
<i>SOFTWARE ERROR</i>	Der Generator stoppt.	Wenden Sie sich an die Niederlassung des Herstellers in Ihrem Land (siehe Rückseite).

8.7 Ölstand kontrollieren



VORSICHT! Verletzungsgefahr

Heißes Öl kann Verbrennungen hervorrufen.
Prüfen Sie den Ölstand nur bei ausgeschaltetem Generator.



HINWEIS

Der Generator muss waagrecht stehen.

Kontrollieren Sie vor jeder Verwendung den Ölstand. Gehen Sie hierzu wie folgt vor:

- Öffnen Sie die Klappe des Generators.
- Schalten Sie den Generator mit dem Hauptschalter (Abb. **4** 1, Seite 4) funktionslos.
- Trennen Sie die Verbindung zum Pluspol der Versorgungsbatterie.
- Ziehen Sie den Messstab (Abb. **4** 2, Seite 4) aus dem Einfüllstutzen (Abb. **4** 3, Seite 4).
- Reinigen Sie den Messstab (Abb. **4** 2, Seite 4) mit einem Lappen.

- Stecken Sie den Messstab (Abb. **4** 2, Seite 4) komplett in den Einfüllstutzen (Abb. **4** 3, Seite 4).
- Ziehen Sie den Messstab (Abb. **4** 2, Seite 4) aus dem Einfüllstutzen.
- Kontrollieren Sie, ob der Ölstand zwischen der Kerbe (maximaler Füllstand) und der Spitze des Messstabes liegt.
Falls nicht, füllen Sie Öl nach.
- Stecken Sie den Messstab (Abb. **4** 2, Seite 4) komplett in den Einfüllstutzen (Abb. **4** 3, Seite 4).
- Prüfen Sie, dass der Ölstand sich nicht über dem Maximumfüllstand befindet.
- Verbinden Sie den Generator mit dem Pluspol der Versorgungsbatterie.
- Schalten Sie den Generator mit dem Hauptschalter (Abb. **4** 1, Seite 4) betriebsbereit.
- Schließen Sie die Klappe des Generators.

9 Generator reinigen



ACHTUNG! Beschädigungsgefahr

- Reinigen Sie den Generator nicht mit einem Hochdruckreiniger. Eindringendes Wasser kann den Generator beschädigen.
 - Verwenden Sie keine scharfen oder harten Gegenstände oder Reinigungsmittel zur Reinigung, da dies zu einer Beschädigung des Generators führen kann.
 - Verwenden Sie zur Reinigung des Generators lediglich Wasser mit einem schonenden Reinigungsmittel. Verwenden Sie auf keinen Fall Benzin, Diesel oder Lösungsmittel.
- Reinigen Sie das Gehäuse des Generators gelegentlich mit einem feuchten Tuch.
 - Entfernen Sie regelmäßig Verschmutzungen von den Belüftungsöffnungen des Generators. Achten Sie darauf, dass Sie dabei nicht die Lamellen des Generators beschädigen.

10 Generator warten



HINWEIS

Finden Sie Ihren Dometic Servicepartner im Internet: service-location.dometic.com

10.1 Wartungstabelle



WARNUNG!

Lassen Sie alle Wartungsarbeiten nur von Fachkräften durchführen, die mit den einschlägigen Vorschriften vertraut sind. Durch unsachgemäße Wartungsarbeiten können erhebliche Gefahren entstehen.



HINWEIS

Lassen Sie folgende Wartungsarbeiten in den angegebenen Abständen oder nach der angegebenen Zahl von Betriebsstunden ausführen, je nachdem, welcher Fall früher eintritt.

Intervall	Prüfung/Wartung
Im ersten Monat oder nach 20 Stunden	<ul style="list-style-type: none"> ➤ Lassen Sie das Öl wechseln. ➤ Lassen Sie den Luftfilter warten (Kapitel „Luftfilter warten“ auf Seite 42).
Alle 3 Monate oder nach 50 Stunden	<ul style="list-style-type: none"> ➤ Lassen Sie den Luftfilter warten (Kapitel „Luftfilter warten“ auf Seite 42).
Alle 6 Monate oder nach 100 Stunden	<ul style="list-style-type: none"> ➤ Lassen Sie das Öl wechseln. ➤ Lassen Sie die Zündkerze warten (Kapitel „Zündkerze warten“ auf Seite 44).
Jährlich oder alle 300 Stunden	<ul style="list-style-type: none"> ➤ Lassen Sie die Ventile warten. ➤ Lassen Sie den Benzintank und den Kraftstofffilter warten. ➤ Lassen Sie den Vibrationsdämpfer warten.
Alle 2 Jahre	<ul style="list-style-type: none"> ➤ Lassen Sie die Benzinleitungen warten.

10.2 Wartungsarbeiten vorbereiten



VORSICHT! Verletzungsgefahr

Beachten Sie bei allen Wartungsarbeiten:

- Der Generator darf nicht in Betrieb sein.
- Alle Teile müssen abgekühlt sein.

- Öffnen Sie die Klappe des Generators.
- Schalten Sie den Generator mit dem Hauptschalter (Abb. **2** 1, Seite 3) funktionslos.
- Trennen Sie die Verbindung zum Pluspol der Versorgungsbatterie.

Für Wartungsarbeiten können Sie den Generator herausziehen (Abb. **5**, Seite 5):



WARNUNG! Verletzungsgefahr

Die Trägerplatte mit Generator ist sehr schwer (> 70 kg) und kann aus dem Gehäuse fallen, wenn Sie sie zu weit herausziehen.

- Lösen Sie die Befestigungsschrauben (**1**).
- Ziehen Sie die Trägerplatte (**2**) mit dem Generator aus dem Gehäuse (**3**).

10.3 Wartungsarbeiten abschließen

- Verbinden Sie den Generator mit dem Pluspol der Versorgungsbatterie.
- Schalten Sie den Generator mit dem Hauptschalter (Abb. **4** 1, Seite 4) betriebsbereit.
- Schließen Sie die Klappe des Generators.

10.4 Öl wechseln



VORSICHT! Verletzungsgefahr

Heißes Öl kann Verbrennungen hervorrufen.



ACHTUNG! Beschädigungsgefahr

Geben Sie Altöl unbedingt an Spezialfirmen für die Entsorgung oder Rückgewinnung, und beachten Sie die Gesetze des betreffenden Landes zum Schutz der Umwelt.

Folgende Öle können Sie verwenden:

- Öl der Klasse SAE 5W-30 (Verwendung bei allen Temperaturen möglich).
- Öl mit Einbereichs-Viskosität. Wählen Sie die geeignete Viskosität in Abhängigkeit von der mittleren Ortstemperatur.

So wechseln Sie das Öl:

- ▶ Lassen Sie den Generator drei bis fünf Minuten warmlaufen, damit das Öl flüssiger wird und schnell und vollständig abfließt.
- ▶ Stellen Sie einen geeigneten Behälter unter die Ablassschraube (Abb. **6** 1, Seite 5).
- ▶ Entfernen Sie den Ölmesstab.
- ▶ Drehen Sie die Ablassschraube (Abb. **6** 1, Seite 5) ab.
- ✓ Das Öl fließt ab.
- ▶ Füllen Sie das frische Öl in den Ölstutzen.
Die Ölmenge beträgt: 1,1 l.
- ▶ Drehen Sie die Ablassschraube ein.

10.5 Luftfilter warten



WARNUNG! Explosionsgefahr!

Verwenden Sie kein Dieselöl oder Lösungsmittel mit niedrigem Verdampfungspunkt zur Reinigung des Luftfilters. Diese können sich entzünden oder explodieren.



ACHTUNG! Beschädigungsgefahr

Lassen Sie den Motor nie ohne Luftfilter laufen. Sonst nutzt sich der Motor schnell ab.



HINWEIS

Wenn der Luftfilter verschmutzt ist, wird der Luftstrom zum Vergaser verringert. Damit der Vergaser gut funktioniert, sollten Sie den Filterzustand regelmäßig kontrollieren. Kontrollieren Sie ihn entsprechend häufiger, wenn der Generator in besonders staubiger Umgebung benutzt wird.

- ▶ Bereiten Sie die Wartungsarbeiten vor und ziehen Sie den Generator ein Stück aus dem Gehäuse: siehe Kapitel „Wartungsarbeiten vorbereiten“ auf Seite 41.
- ▶ Entfernen Sie die Flügelmutter (Abb. **7** 1, Seite 6) und die Filterabdeckung (Abb. **7** 2, Seite 6).
- ▶ Entfernen Sie die Flügelmutter (Abb. **7** 3, Seite 6).
- ▶ Entnehmen Sie den Luftfilter (Abb. **7** 4, Seite 6).
Der Luftfilter besteht aus zwei Elementen: einem Schwammfilter und einem Papierfilter.
- ▶ Kontrollieren Sie den Zustand beider Filterelemente sorgfältig. Wechseln Sie beschädigte Filterelemente aus.
- ▶ Reinigen Sie unbeschädigte Filterelemente: siehe folgende Abschnitte.
- ▶ Setzen Sie den Filter ein.
- ▶ Setzen Sie die Schraube wieder ein.
- ▶ Setzen Sie die Filterabdeckung auf.
- ▶ Schließen Sie die Wartungsarbeiten ab: siehe Kapitel „Wartungsarbeiten abschließen“ auf Seite 41.

Schwammfilter reinigen

- ▶ Waschen Sie den Schwamm mit einer neutralen Waschmittellösung, und spülen Sie ihn sorgfältig aus.
- ▶ Lassen Sie den Schwamm vollständig trocknen.
- ▶ Tränken Sie den Schwamm mit sauberem Motoröl.
- ▶ Drücken Sie das überschüssige Öl aus.

Papierfilter reinigen

- ▶ Befreien Sie das Papier durch wiederholtes leichtes Schlagen auf eine harte Fläche von Verunreinigungen, oder blasen Sie den Filter von innen nach außen mit Pressluft aus.
Bürsten Sie das Papier **nicht** ab, denn dadurch würde der Schmutz in die Fasern des Papierfilters eindringen.
- ▶ Wechseln Sie bei starker Verschmutzung den Papierfilter aus.

10.6 Zündkerze warten



ACHTUNG! Beschädigungsgefahr

- Ziehen Sie die Zündkerze sorgfältig an. Eine nicht fest angezogene Zündkerze kann sehr heiß werden und Schäden am Motor hervorrufen.
- Verwenden Sie ausschließlich gleichwertige Zündkerzen.
- Wenn Sie eine neue Zündkerze einsetzen, ziehen Sie diese um eine 1/2 Drehung an, wenn sie fest auf der Beilegscheibe aufsitzt. Bei der Verwendung von gebrauchten Zündkerzen genügt eine 1/8 oder eine 1/4 Drehung.

- Bereiten Sie die Wartungsarbeiten vor: siehe Kapitel „Wartungsarbeiten vorbereiten“ auf Seite 41.
- Nehmen Sie den Kerzenstecker ab.
- Nehmen Sie die Zündkerze mit einem Zündkerzenschlüssel heraus.
- Kontrollieren Sie die Zündkerze durch Sichtkontrolle.
Wenn die Zündkerze offensichtlich abgenutzt oder der Isolator beschädigt oder angebrochen ist, wechseln Sie die Zündkerze aus.
Wenn die Zündkerze nur verschmutzt ist, reinigen Sie diese mit einer Stahlbürste.
- Messen Sie den Abstand zwischen den Elektroden mit einem Dickenmesser (Abb. **8**, Seite 6). Er muss 0,7 – 0,8 mm betragen und kann ggf. durch Biegen der Elektrode korrigiert werden.
- Prüfen Sie, ob die Zündkerzendichtung intakt ist.
- Schrauben Sie die Zündkerze mit der Hand an, um eine Beschädigung des Gewindes zu vermeiden.
- Ziehen Sie die Zündkerze mit einem Zündkerzenschlüssel so an, dass die Unterlegscheibe zusammengedrückt wird.
- Schließen Sie die Wartungsarbeiten ab: siehe Kapitel „Wartungsarbeiten abschließen“ auf Seite 41.

11 Störungen beseitigen

Störung	Ursache	Behebung
Bei Drücken des Ein-/Ausschalters geht das Bedienpanel nicht an.	Starterbatterie leer.	➤ Laden Sie die Starterbatterie.
	Sicherung (falls vorhanden) ist ausgelöst.	➤ Wenden Sie sich an eine autorisierte Fachwerkstatt.
Bei Drücken des Starttasters dreht der Anlasser nicht.	Starterbatterie leer.	➤ Laden Sie die Starterbatterie.
	Der Hauptschalter steht auf „0“.	➤ Stellen Sie den Hauptschalter auf „1“ bzw. „1“.
	Platine beschädigt.	➤ Wenden Sie sich an eine autorisierte Fachwerkstatt.
	Anlasser wird nicht mit Strom versorgt.	
Der Anlasser dreht, aber der Generator springt nicht an.	Kein Benzin.	➤ Füllen Sie Benzin nach.
	Zu viel Öl im Motor.	➤ Lassen Sie Öl ab.
	Zündkerze bekommt kein Strom.	➤ Prüfen Sie die elektrischen Verbindungen.
	Vergaser bekommt kein Benzin.	➤ Reinigen Sie den Vergaser.
	Luftansaugung verstopft.	➤ Kontrollieren Sie den Luftfilter (siehe Kapitel „Luftfilter warten“ auf Seite 42).
	Inverter beschädigt.	➤ Wenden Sie sich an eine autorisierte Fachwerkstatt.
Der Generator neigt zum Ausgehen.	Zu viel Öl im Motor.	➤ Lassen Sie Öl ab.
	Last über 6,2 kW.	➤ Schalten Sie Verbraucher ab.
	Vergaser bekommt kein Benzin.	➤ Reinigen Sie den Vergaser.
	Luftansaugung verstopft.	➤ Kontrollieren Sie den Luftfilter (siehe Kapitel „Luftfilter warten“ auf Seite 42).
	Inverter beschädigt.	➤ Wenden Sie sich an eine autorisierte Fachwerkstatt.
	Elektromagnet (Anlasser) blockiert.	
	Luftfilter verschmutzt.	➤ Kontrollieren Sie den Luftfilter (siehe Kapitel „Luftfilter warten“ auf Seite 42).
Kraftstofffilter verschmutzt.	➤ Wechseln Sie den Kraftstofffilter.	
Der Generator ist angesprungen, erzeugt aber keine Spannung.	Inverter beschädigt.	➤ Prüfen Sie die elektrischen Verbindungen.
	Drehzahl ist zu niedrig.	➤ Wenden Sie sich an eine autorisierte Fachwerkstatt.

Störung	Ursache	Behebung
Der Generator startet mit starker Beschleunigung und bleibt dann mit der Meldung „GENERATOR ALERT“ stehen.	Schrittmotor defekt.	➤ Wenden Sie sich an eine autorisierte Fachwerkstatt.
Die erzeugte Spannung ist instabil.	Inverter beschädigt.	➤ Wenden Sie sich an eine autorisierte Fachwerkstatt.

12 Gewährleistung

Es gilt die gesetzliche Gewährleistungsfrist. Sollte das Produkt defekt sein, wenden Sie sich bitte an einen Service-Partner in Ihrem Land (siehe Rückseite).

Unsere Spezialisten helfen Ihnen gerne weiter und besprechen mit Ihnen den weiteren Verlauf der Gewährleistung.

13 Entsorgung

- Geben Sie das Verpackungsmaterial möglichst in den entsprechenden Recycling-Müll.



Wenn Sie das Produkt endgültig außer Betrieb nehmen, informieren Sie sich bitte beim nächsten Recyclingcenter oder bei Ihrem Fachhändler über die zutreffenden Entsorgungsvorschriften.





Schützen Sie Ihre Umwelt!

Akkus und Batterien gehören nicht in den Hausmüll.

Geben Sie bitte Ihre defekten Akkus oder verbrauchten Batterien beim Händler oder bei einer Sammelstelle ab.

14 Technische Daten

	TEC60EV
Art.-Nr.:	9102900303
Ausgangsnennspannung:	230 V~ / 50 Hz
Max. Dauerleistung (bei 25 °C auf Meereshöhe):	6200 W
Ausgangsspannung Batterielader:	12 V===
Max. Ausgangsstrom Batterielader:	30 A
Betriebstemperaturbereich:	-15 °C bis +50 °C
Gesamte harmonische Verzerrung:	<3 %
Kraftstoff:	Normalbenzin ROZ 91
Verbrauch:	max. 3,7 l/h
Motorleistung:	6,6 kW (8,9 PS)
Max. Drehzahl:	3600 min ⁻¹
Motoröl:	1,1 l
CO ₂ Wert:	743 g/kW-hr
Schallpegel:	91 dB(A)
Schallpegel in 7 m Abstand:	66 dB(A)
Abmessungen:	siehe Abb. 9 , Seite 7
Gewicht:	110 kg
Prüfung/Zertifikat:	 

Die CO₂-Messung ergibt sich durch Testen eines (Stamm-)Motors, der für den Motortyp (Motorfamilie) repräsentativ ist über einen festen Prüfzyklus unter Laborbedingungen. Sie bedeutet keine implizite oder ausdrückliche Garantie für die Leistung eines bestimmten Motors.

Veillez lire ce manuel attentivement avant de mettre l'appareil en service et conservez-le. En cas de passer le produit, veuillez le transmettre au nouvel acquéreur.

Sommaire

1	Explication des symboles	48
2	Consignes de sécurité	49
3	Groupe cible de cette notice	51
4	Contenu de la livraison	51
5	Accessoires	52
6	Usage conforme	52
7	Description technique	52
8	Utilisation du générateur	54
9	Nettoyage du générateur	61
10	Maintenance du générateur	61
11	Guide de dépannage	66
12	Garantie	68
13	Retraitement	68
14	Caractéristiques techniques	69

1 Explication des symboles



AVERTISSEMENT !

Consigne de sécurité signalant une situation dangereuse qui peut entraîner la mort ou de graves blessures si elle n'est pas évitée.



ATTENTION !

Consigne de sécurité signalant une situation dangereuse qui peut entraîner des blessures de gravité moyenne ou légère si elle n'est pas évitée.

**AVIS !**

Remarque signalant une situation qui peut entraîner des dommages matériels si elle n'est pas évitée.

**REMARQUE**

Informations complémentaires sur l'utilisation du produit.

2 Consignes de sécurité

Respectez les consignes de sécurité et autres prescriptions imposées par le fabricant du véhicule et par les professionnels de l'automobile !

Le fabricant décline toute responsabilité pour des dommages dans les cas suivants :

- des sollicitations mécaniques et une tension de raccordement incorrecte ayant endommagé le matériel
- des modifications apportées au produit sans autorisation explicite de la part du fabricant
- une utilisation différente de celle décrite dans la notice

Il décline notamment toute responsabilité pour tous les dommages consécutifs, en particulier pour les dommages consécutifs à une panne du générateur.

Lors de l'utilisation d'appareils électriques, les consignes générales de sécurité suivantes doivent être respectées afin d'éviter :

- une décharge électrique,
- un incendie,
- des blessures.

2.1 Consignes générales de sécurité



AVERTISSEMENT ! Le non-respect de ces mises en garde peut entraîner des blessures graves, voire mortelles.

Risque pour la santé

- Utilisez l'appareil conformément à l'usage pour lequel il a été conçu.
- Ne procédez à aucune modification ni transformation de l'appareil !

- L'installation, la maintenance et les réparations du générateur doivent être effectuées uniquement par un personnel qualifié et parfaitement informé des dangers relatifs à la manipulation des générateurs et des règlements spécifiques. Toute réparation mal effectuée risquerait d'entraîner de graves dangers. Si des réparations sont nécessaires, adressez-vous à la succursale du fabricant de votre pays (voir la dernière page).
- Ne laissez pas des personnes (enfants compris) incapables d'utiliser l'appareil de manière sûre, en raison de déficiences physiques, sensorielles ou mentales ou de leur manque d'expérience ou de connaissances, utiliser cet appareil sans surveillance.

Risque d'asphyxie

- Les gaz d'échappement contiennent du monoxyde de carbone, un gaz incolore et inodore, extrêmement toxique. Ne respirez pas les gaz d'échappement. Ne faites pas tourner le moteur du générateur dans un garage fermé ou dans une pièce sans fenêtres.

Danger de mort par électrocution

- **Les appareils électriques ne sont pas des jouets pour enfants !** Les enfants ne peuvent pas estimer correctement les dangers éventuels des appareils électriques. Ne laissez pas les enfants utiliser des appareils électriques sans surveillance.



ATTENTION ! Le non-respect de ces mises en garde peut entraîner des blessures légères ou de gravité modérée.

Risque pour la santé

- Le générateur doit uniquement être utilisé avec la trappe fermée.

Risque d'incendie

- Éloignez toutes les matières inflammables (essence, vernis, détergents, etc.) qui se trouvent à proximité du générateur.
- Veillez à ce qu'aucune pièce du générateur, susceptible de chauffer, n'entre en contact avec les matières facilement inflammables.
- N'alimentez le générateur en carburant que lorsqu'il est arrêté et dans une pièce suffisamment aérée. L'essence et le gaz liquide sont fortement inflammables et risquent d'exploser.
- N'alimentez pas le générateur en carburant lorsque le moteur du véhicule est en marche, si le réservoir se trouve à proximité du générateur.
- Si de l'essence s'échappe, essuyez-la correctement et attendez que la vapeur se soit dissipée avant d'allumer le moteur.

Danger de mort par électrocution

- Ne touchez pas le générateur et les conduites avec les mains humides.
- Remplacez les fusibles ou thermocontacts par des pièces présentant les mêmes caractéristiques techniques uniquement.
- Faites fonctionner l'appareil uniquement si le boîtier et les conduites sont intacts.

**AVIS ! Risque d'endommagement**

- Ne remplissez pas de trop le réservoir à essence. Le goulot du réservoir ne doit pas contenir d'essence. Veillez à ce que le couvercle soit bien fermé.
- Lorsque des travaux de soudure doivent être effectués sur le véhicule, débranchez tous les câbles menant au générateur ; dans le cas contraire, l'électronique risque d'être endommagée.

2.2 Consignes de sécurité

AVERTISSEMENT ! Le non-respect de ces mises en garde peut entraîner des blessures graves, voire mortelles.

Danger de mort par électrocution

- Coupez l'alimentation électrique au cours de travaux sur l'appareil.

3 Groupe cible de cette notice

Ce manuel s'adresse à l'utilisateur du générateur.

4 Contenu de la livraison**Désignation**

Générateur TEC60EV

Relais de commutation pour la réalisation d'un raccordement prioritaire

Panneau de commande

Silencieux

Conduite de gaz d'échappement

Désignation

Matériel de fixation pour le silencieux

Câble de raccordement

Matériel de fixation

Notice d'installation

Manuel d'utilisation

5 Accessoires

Disponibles en accessoires (non compris dans la livraison) :

Désignation des pièces	Numéro de produit
PR 250133, kit de joints externes	9600025375

6 Usage conforme

Le générateur TEC60EV est conçu pour une utilisation dans les caravanes, campings-cars et véhicules commerciaux.

Le générateur n'est **pas** conçu pour une utilisation dans les bateaux.

Le générateur crée une tension alternative sinusoïdale pure de 230 V / 50 Hz à laquelle les consommateurs d'énergie peuvent être reliés avec une charge continue totale de 6200 W.

La qualité du courant est également adaptée aux consommateurs d'énergie de forte sensibilité (p. ex. PC).

Le générateur peut charger une batterie de 12 V.

7 Description technique

Le générateur est composé des éléments principaux suivants (fig. **1**, page 3) :

- Générateur de courant avec aimants permanents (**1**)
- Moteur à combustion (**2**)
- Boîte de raccordement (**3**)
- Onduleur (**4**)

- Panneau de commande (5)

Le moteur à combustion (2) met en rotation le générateur de courant (1) raccordé, ce dernier génère alors une tension alternative.

L'onduleur interne (4) transforme cette tension alternative en une tension stable de 230 V et 50 Hz.

Les bornes de raccordement et le commutateur principal se trouvent au niveau de la boîte de raccordement (3) située derrière la porte.

La commande est assurée depuis un panneau de commande (5).

Le générateur possède un chargeur de batterie intégré permettant de charger la batterie raccordée.


Éléments de commande sur le générateur

La boîte de raccordement du générateur se trouve derrière le clapet.

Pos. dans fig. 2, page 3	Description	
1	Commutateur principal	Met le générateur en fonction ou hors service.
2	Protection thermique	Se déclenche en cas de surchauffe de l'onduleur (voir chapitre « Affichages à l'écran », page 57)

Éléments de commande sur le panneau de commande

Le panneau de commande se trouve à l'intérieur du véhicule.

Pos. dans fig. 3, page 4	Description	
1	Écran	Affiche les messages d'état.
2	Interrupteur Marche / Arrêt «  »	Active et désactive le panneau de commande lorsque le commutateur principal se trouve sur « I » ou « 1 ». Arrête le générateur en cas d'urgence.
3	Bouton gris « START/STOP »	Démarre/arrête le générateur lorsque le panneau de commande est activé et lorsque le commutateur principal se trouve sur « I » ou « 1 ».

Pos. dans fig. 3, page 4	Description	
4	Indicateur du niveau d'essence	S'allume lorsque l'essence est sur la réserve.
5	Indicateur du niveau d'huile	S'allume lorsque le niveau d'huile dans le moteur est trop faible.

Affichages à l'écran

Pos. dans fig. 3, page 4	Description	
6	Tension alternative	Tension de sortie actuelle
7	Puissance de sortie permanente	Puissance actuelle du consommateur d'énergie raccordé
8	Heures de service	Indique les heures de fonctionnement du générateur
9	Tension continue	Tension de charge de la batterie
10	Messages	Message d'état du générateur (voir chapitre « Affichages à l'écran », page 57)

8 Utilisation du générateur



AVIS ! Risque d'endommagement

Lors des 50 premières heures de service (phase de démarrage), ne sollicitez pas le générateur à plus de 70 % de la puissance de sortie permanente maximale.



REMARQUE

La durée de vie du générateur peut ainsi être allongée et sa puissance optimisée :

Après la phase de démarrage, sollicitez le générateur à une charge maximale d'env. 75 % de la puissance continue maximale.

8.1 Remarques générales sur l'utilisation



ATTENTION ! Risque de blessures !

Ne glissez ni les doigts, ni un quelconque objet dans les buses de ventilation ou la grille d'aspiration.

Veillez respecter les consignes suivantes :

- Contrôlez le niveau d'huile avant chaque utilisation (chapitre « Contrôle du niveau d'huile », page 60).
- Même de petites surcharges entraînent, sur la durée, un arrêt du générateur.
- Après son utilisation, laissez tourner le générateur quelques minutes sans consommateur d'énergie avant de le couper.
- Un freinage brusque, une accélération ou des déplacements en virage du véhicule peuvent entraîner des problèmes dans le système de pompes du générateur et par conséquent son arrêt non intentionnel.
- Si vous n'utilisez pas le générateur pendant une longue période, démarrez-le au moins tous les 30 jours et laissez-le tourner pendant 15 minutes au minimum.

8.2 Mise en service ou hors service du générateur

Le commutateur principal (fig. **2** 1, page 3) sur la boîte de raccordement permet d'activer et de désactiver le générateur.

8.3 Mise en marche / à l'arrêt du panneau de commande

L'interrupteur Marche/Arrêt (fig. **3** 2, page 4) sur le panneau de commande permet de mettre ce dernier en marche et à l'arrêt.

- Activez le panneau de commande à l'aide de l'interrupteur Marche/Arrêt.

- ✓ L'écran affiche : *GEN OFF*.

L'écran se coupe automatiquement au bout de 5 min si l'interrupteur de démarrage n'a pas été actionné au cours de cette période.

En actionnant l'interrupteur de démarrage, l'écran peut être redémarré.

- ✓ Le générateur peut alors démarrer.

8.4 Démarrage du générateur

Le générateur peut uniquement être démarré lorsqu'il est opérationnel (mis en marche) et lorsque le panneau de commande est activé.

- Démarrez le générateur à l'aide du bouton gris « START/STOP » (fig. **3** 3, page 4).

8.5 Arrêt du générateur

- Arrêtez le générateur à l'aide du bouton gris « START/STOP » (fig. **3** 3, page 4).
- ✓ L'onduleur s'arrête immédiatement. Le générateur continue de fonctionner pendant 30 secondes afin de refroidir le générateur, puis le générateur s'arrête lui aussi.



AVIS ! Risque d'endommagement

Arrêtez toujours le générateur à l'aide du bouton gris « START/STOP » pour éviter d'endommager le moteur.

Arrêtez le fonctionnement générateur au niveau du commutateur principal rouge uniquement en cas d'urgence.

8.6 Affichages à l'écran

Message à l'écran Description	Comportement du générateur	Mesures
<p>LOW BATTERY</p> <p>La tension de la batterie est tombée sous la valeur minimale requise pour les tentatives de démarrage (9 V).</p>	Le générateur ne réagit pas.	Charger la batterie.
<p>CHECK OIL LEVEL</p>	Le générateur continue de tourner.	Faire l'appoint en huile (voir chapitre « Contrôle du niveau d'huile », page 60).
<p>OIL CHANGE</p> <p>Le compteur d'heures de service a atteint la valeur indiquée pour la vidange de l'huile moteur.</p>	Le générateur continue de tourner.	Vidanger l'huile (voir chapitre « Vidange d'huile », page 63), puis confirmer le message en maintenant l'interrupteur « START/STOP » enfoncé. Redémarrer le générateur en maintenant toujours l'interrupteur « START/STOP » enfoncé.
<p>NO FUEL</p> <p>Le réservoir d'essence est sur la réserve.</p>	Le générateur continue de tourner.	Faire l'appoint.
<p>OIL ALERT</p> <p>Huile moteur manquante.</p>	Le générateur s'arrête.	Faire l'appoint en huile (voir chapitre « Contrôle du niveau d'huile », page 60).
<p>GENERATOR ALERT!</p> <p>Message d'alarme général</p> <p>Exemple : L'anneau de contrôle du papillon d'obturation du carburateur (moteur pas à pas) est défectueux.</p>	Le générateur s'arrête.	Contrôler le système à l'aide du tableau Pannes, origines et solutions. Si le problème persiste, adressez-vous à la succursale du fabricant de votre pays (voir la dernière page).
<p>OVERLOAD!</p> <p>Les consommateurs d'énergie génèrent une surcharge au niveau de la sortie.</p>	L'onduleur se coupe, plus aucune tension n'est disponible, toutefois le moteur continue de tourner jusqu'à ce qu'il s'arrête.	Réduisez la charge raccordée et redémarrez le générateur.

Message à l'écran Description	Comportement du générateur	Mesures
SHORT CIRCUIT Les consommateurs d'énergie génèrent un court-circuit au niveau de la sortie.	L'onduleur se coupe, plus aucune tension n'est disponible, toutefois le moteur continue de tourner jusqu'à ce qu'il s'arrête.	Contrôler l'état des consommateurs d'énergie raccordés puis redémarrer le générateur.
OVER TEMPERATURE Surchauffe	L'onduleur se coupe, plus aucune tension n'est disponible, toutefois le moteur continue de tourner pour refroidir le générateur.	Laisser refroidir le générateur, attendre quelques minutes puis redémarrer le générateur.
LOW POWER ENGINE Panne de la tension d'alimentation de l'onduleur.	Le générateur s'arrête.	Réduisez la charge raccordée et redémarrez le générateur.
OVERSPEED Régime trop élevé	Le générateur s'arrête.	Redémarrer le générateur. Si le problème persiste, adressez-vous à la succursale du fabricant de votre pays (voir la dernière page).
START FAILED Exemple : pas d'essence, températures froides, bougies d'allumage défectueuses, filtre à air sali	Le générateur est coupé.	Redémarrer le générateur.
GEN CAL Message apparaissant lors du démarrage du générateur ; il indique la phase de calibrage associée à chaque démarrage. Le générateur ne délivre plus de tension.	Le générateur tourne mais ne délivre plus de tension.	Attendre un instant.
GEN WAIT Message apparaissant lors de la pause entre deux tentatives de démarrage.	Le générateur est coupé.	Attendre que le message disparaisse puis refaire une tentative de démarrage.
GEN ON Fonctionnement normal du générateur.	Fonctionnement normal	–
GEN OFF	Le générateur s'arrête et peut être démarré	–

Message à l'écran Description	Comportement du générateur	Mesures
<i>GEN STOP</i>	Le générateur est arrêté.	Attendez un instant.
<i>WAIT COOLING</i>	Le moteur tourne sans charge pour refroidir le système.	Attendez un instant.
<i>INVERTER LOST COMM</i>	Le générateur s'arrête.	Contrôler le système à l'aide du tableau Pannes, origines et solutions. Si le problème persiste, adressez-vous à la succursale du fabricant de votre pays (voir la dernière page).
<i>ENGINE LOST COMM</i>	Le générateur s'arrête.	Contrôler le système à l'aide du tableau Pannes, origines et solutions. Si le problème persiste, adressez-vous à la succursale du fabricant de votre pays (voir la dernière page).
<i>INVERTER FAILED</i>	Le générateur s'arrête.	Adressez-vous à la succursale du fabricant de votre pays (voir la dernière page).
<i>ENG. PARAM. ERROR</i>	Le générateur s'arrête.	Adressez-vous à la succursale du fabricant de votre pays (voir la dernière page).
<i>INV. PARAM. ERROR</i>	Le générateur s'arrête.	Adressez-vous à la succursale du fabricant de votre pays (voir la dernière page).
<i>SOFTWARE ERROR</i>	Le générateur s'arrête.	Adressez-vous à la succursale du fabricant de votre pays (voir la dernière page).

8.7 Contrôle du niveau d'huile



ATTENTION ! Risque de blessures

L'huile chaude peut entraîner des brûlures.

Contrôlez le niveau d'huile uniquement lorsque le générateur est coupé.



REMARQUE

Le générateur doit être installé à l'horizontale.

Contrôlez le niveau d'huile avant chaque utilisation. Procédez comme suit :

- Ouvrez la trappe du générateur.
- Coupez le générateur avec le commutateur principal (fig. 4 1, page 4).
- Coupez la connexion vers le pôle positif de la batterie d'alimentation.
- Retirez la jauge (fig. 4 2, page 4) de la tubulure de remplissage (fig. 4 3, page 4).
- Essuyez la jauge (fig. 4 2, page 4) avec un chiffon.
- Insérez complètement la jauge (fig. 4 2, page 4) dans la tubulure de remplissage (fig. 4 3, page 4).
- Retirez la jauge (fig. 4 2, page 4) de la tubulure de remplissage.
- Contrôlez si le niveau d'huile se trouve entre la rainure (niveau maximal) et la pointe de la jauge.
Si ce n'est pas le cas, faites l'appoint en huile.
- Insérez complètement la jauge (fig. 4 2, page 4) dans la tubulure de remplissage (fig. 4 3, page 4).
- Veiller à ce que le niveau d'huile ne dépasse pas le niveau de remplissage maximal.
- Reliez le générateur au pôle positif de la batterie d'alimentation.
- Mettez le générateur en marche avec le commutateur principal (fig. 4 1, page 4).
- Fermez la trappe du générateur.

9 Nettoyage du générateur



AVIS ! Risque d'endommagement

- Ne nettoyez pas le générateur avec un nettoyeur haute pression. Toute infiltration d'eau peut endommager le générateur.
- N'utilisez aucun objet coupant ou dur, ni de détergents pour le nettoyage. Cela pourrait endommager le générateur.
- Pour nettoyer le générateur, utilisez uniquement de l'eau et un détergent doux. N'utilisez en aucun cas de l'essence, du diesel ou un solvant.

- ▶ Nettoyez de temps à autre le boîtier du générateur avec un chiffon humide.
- ▶ Éliminez régulièrement les impuretés des orifices de ventilation du générateur. Veillez à ne pas endommager les lamelles du générateur.

10 Maintenance du générateur



REMARQUE

Retrouvez votre partenaire Dometic sur internet : service-location.dometic.com

10.1 Tableau de maintenance



AVERTISSEMENT !

Confiez toutes les opérations de maintenance à un personnel qualifié et parfaitement informé des directives en vigueur. Tout travail de maintenance mal effectué risquerait d'entraîner de graves dangers.



REMARQUE

Faites réaliser les opérations de maintenance indiquées ci-dessous dans les intervalles de temps indiqués ou après les heures de fonctionnement spécifiées, selon l'événement arrivant en premier.

Intervalle	Contrôle / maintenance
Au cours du premier mois ou après 20 heures	<ul style="list-style-type: none"> ➤ Vidangez l'huile. ➤ Faites entretenir le filtre à air (chapitre « Entretien du filtre à air », page 64).
Tous les 3 mois ou après 50 heures.	<ul style="list-style-type: none"> ➤ Faites entretenir le filtre à air (chapitre « Entretien du filtre à air », page 64).
Tous les 6 mois ou après 100 heures.	<ul style="list-style-type: none"> ➤ Vidangez l'huile. ➤ Faites entretenir la bougie d'allumage (chapitre « Entretien de la bougie d'allumage », page 65).
Une fois par an ou toutes les 300 heures	<ul style="list-style-type: none"> ➤ Faites entretenir les soupapes. ➤ Faites entretenir le réservoir à essence et le filtre à carburant. ➤ Faites entretenir l'amortisseur de vibrations.
Tous les 2 ans	<ul style="list-style-type: none"> ➤ Contrôlez les conduites d'essence.

10.2 Préparation des opérations de maintenance



ATTENTION ! Risque de blessures

À noter lors de chaque opération de maintenance :

- Le générateur ne doit pas être en cours de fonctionnement.
- Toutes les pièces doivent être refroidies.

- Ouvrez la trappe du générateur.
- Coupez le générateur avec le commutateur principal (fig. **2** 1, page 3).
- Coupez la connexion vers le pôle positif de la batterie d'alimentation.

Le générateur peut être extrait pour les opérations de maintenance (fig. **5**, page 5) :



AVERTISSEMENT ! Risque de blessures

La plaque de support du générateur est très lourde (> 70 kg) et risque de tomber du boîtier si elle est trop tirée.

- Desserrez les vis de fixation (**1**).
- Tirez la plaque de support (**2**) avec le générateur en dehors du boîtier (**3**).

10.3 Fin des opérations de maintenance

- Reliez le générateur au pôle positif de la batterie d'alimentation.
- Mettez le générateur en marche avec le commutateur principal (fig. **4** 1, page 4).
- Fermez la trappe du générateur.

10.4 Vidange d'huile



ATTENTION ! Risque de blessures

L'huile chaude peut entraîner des brûlures.



AVIS ! Risque d'endommagement

Remettez impérativement l'ancienne huile à une entreprise spécialisée dans le recyclage ou la récupération et respectez les consignes de prévention de l'environnement en vigueur dans le pays concerné.

Vous pouvez utiliser les huiles suivantes :

- Huile de classe SAE 5W-30 (utilisation possible sous toutes les températures).
- Huile de viscosité monocouche.
Sélectionnez la bonne viscosité en fonction de la température moyenne du lieu.

Pour vidanger l'huile :

- laissez tourner le générateur à chaud pendant trois à cinq minutes afin que l'huile devienne plus liquide et s'écoule plus rapidement et complètement.
- Placez un récipient approprié sous la vis de vidange (fig. **6** 1, page 5).
- Retirez le bâtonnet de mesure de l'huile.
- Retirez la vis de vidange (fig. **6** 1, page 5).
- ✓ L'huile s'écoule alors.
- Versez la nouvelle huile dans la tubulure.
Quantité d'huile : 1,1 l.
- Mettez le bouchon de purge en place.

10.5 Entretien du filtre à air



AVERTISSEMENT ! Risque d'explosion !

N'utilisez pas de gazole ou de solution dont le point de vaporisation est bas pour nettoyer le filtre à air. Ces derniers risquent de s'enflammer et d'exploser.



AVIS ! Risque d'endommagement

Ne laissez pas le moteur tourner sans filtre à air. Le moteur s'userait alors rapidement.



REMARQUE

Lorsque le filtre à air est encrassé, le flux d'air vers le carburateur est réduit. Afin que le carburateur fonctionne correctement, l'état du filtre à air doit être contrôlé régulièrement. Contrôlez-le encore plus fréquemment lorsque le générateur est utilisé dans des espaces particulièrement poussiéreux.

- Préparez les opérations de maintenance et retirez légèrement le générateur du boîtier : voir chapitre « Préparation des opérations de maintenance », page 62.
- Retirez les vis (fig. **7** 1, page 6) et le cache du filtre (fig. **7** 2, page 6).
- Retirez la vis (fig. **7** 3, page 6).
- Retirez le filtre à air (fig. **7** 4, page 6).
Le filtre à air est constitué de deux éléments : un filtre à mousse et un filtre à papier.
- Contrôlez scrupuleusement l'état des deux éléments filtrants. Remplacez les éléments filtrants endommagés.
- Nettoyez les éléments filtrants intacts : voir les paragraphes suivants.
- Mettez le filtre en place.
- Reposez la vis.
- Reposez le couvercle du filtre.
- Terminez les opérations de maintenance : voir chapitre « Fin des opérations de maintenance », page 63.

Nettoyage du filtre à mousse

- Lavez la mousse avec une solution savonneuse et rincez-la soigneusement.
- Laissez sécher la mousse complètement.
- Imbibez la mousse d'huile de moteur propre.
- Pressez-la pour éliminer le surplus d'huile.

Nettoyage du filtre à papier

- Nettoyez le papier en donnant plusieurs petits coups sur les dépôts de saletés ou soufflez de l'air comprimé sur le filtre, de l'intérieur vers l'extérieur.
Ne brossez **pas** le papier, la poussière risquerait de pénétrer dans les fibres du filtre à papier.
- S'il est fortement encrassé, remplacez le filtre à papier.

10.6 Entretien de la bougie d'allumage



AVIS ! Risque d'endommagement

- Serrez avec soin la bougie d'allumage. Une bougie d'allumage mal serrée peut devenir très chaude et endommager le moteur.
- Utilisez exclusivement des bougies d'allumage de même valeur.
- Lors de la mise en place d'une nouvelle bougie, serrez-la d'1/2 tour une fois qu'elle repose sur la rondelle. En cas d'utilisation de bougies déjà utilisées, 1/8 ou 1/4 de tour suffit.

- Préparez les opérations de maintenance : voir chapitre « Préparation des opérations de maintenance », page 62.
- Retirez le connecteur de la bougie.
- Utilisez une clé pour bougie d'allumage pour retirer celle-ci.
- Procédez à un contrôle visuel de la bougie.
Lorsque la bougie est usagée ou lorsque l'isolant est endommagé ou coupé, remplacez la bougie.
Si la bougie est uniquement encrassée, nettoyez-la avec une brosse métallique.
- Mesurez la distance entre les électrodes à l'aide d'un gabarit (fig. **8**, page 6). Elle doit être de 0,7 – 0,8 mm et peut être rectifiée en coudant l'électrode.
- Vérifiez si le joint de la bougie est intact.
- Vissez la bougie à la main afin de ne pas endommager le filetage.

- Serrez la bougie avec une clé à bougie de manière à compresser la rondelle.
- Terminez les opérations de maintenance : voir chapitre « Fin des opérations de maintenance », page 63.

11 Guide de dépannage

Dysfonctionnement	Cause	Solution
Le panneau de commande ne démarre pas lorsque l'interrupteur Marche / Arrêt est actionné.	Batterie de démarrage vide.	➤ Chargez la batterie de démarrage.
	Le fusible (si existant) a sauté.	➤ Prenez contact avec un atelier spécialisé.
Le démarreur ne tourne pas lorsque l'interrupteur de démarrage est actionné.	Batterie de démarrage vide.	➤ Chargez la batterie de démarrage.
	Le commutateur principal est positionné sur « 0 ».	➤ Amenez le commutateur principal en position « I » ou « 1 ».
	Platine endommagée. Le démarreur n'est pas alimenté en courant.	➤ Prenez contact avec un atelier spécialisé.
Le démarreur tourne mais le générateur ne se lance pas.	Pas d'essence.	➤ Effectuez le plein d'essence.
	Trop d'huile dans le moteur.	➤ Évacuez l'huile.
	La bougie d'allumage n'est pas alimentée en courant.	➤ Vérifiez les raccordements électriques.
	Le carburateur ne reçoit pas d'essence.	➤ Nettoyez le carburateur.
	Aspiration d'air colmatée.	➤ Contrôlez le filtre à air (voir le chapitre « Entretien du filtre à air », page 64).
	Onduleur endommagé.	➤ Prenez contact avec un atelier spécialisé.

Dysfonctionnement	Cause	Solution
Le générateur ralentit.	Trop d'huile dans le moteur.	➤ Évacuez l'huile.
	Charge supérieure à 6,2 kW.	➤ Coupez les consommateurs d'énergie.
	Le carburateur ne reçoit pas d'essence.	➤ Nettoyez le carburateur.
	Aspiration d'air colmatée.	➤ Contrôlez le filtre à air (voir le chapitre « Entretien du filtre à air », page 64).
	Onduleur endommagé.	➤ Prenez contact avec un atelier spécialisé.
	Électroaimant (démarreur) bloqué.	
	Filtre à air encrassé.	➤ Contrôlez le filtre à air (voir le chapitre « Entretien du filtre à air », page 64).
	Le filtre à carburant est sale.	➤ Remplacez le filtre à carburant.
Le générateur a démarré, mais ne délivre aucune tension.	Onduleur endommagé.	➤ Vérifiez les raccordements électriques.
	Régime trop faible.	➤ Prenez contact avec un atelier spécialisé.
Le générateur démarre avec une forte accélération puis s'immobilise avec le message « GENERATOR ALERT ».	Moteur pas à pas défectueux.	➤ Prenez contact avec un atelier spécialisé.
La tension générée est instable.	Onduleur endommagé.	➤ Prenez contact avec un atelier spécialisé.

12 Garantie

Le délai légal de garantie s'applique. Si le produit s'avérait défectueux, veuillez vous adresser à un de nos partenaires de service présent dans votre pays (voir la dernière page).

Nos spécialistes vous aideront avec plaisir et répondront à vos questions concernant la suite de la procédure pour la garantie.

13 Retraitement

- Jetez les emballages dans les conteneurs de déchets recyclables prévus à cet effet.




Lorsque vous mettez votre produit définitivement hors service, informez-vous auprès du centre de recyclage le plus proche ou auprès de votre revendeur spécialisé sur les prescriptions relatives au retraitement des déchets.



Protégez l'environnement !

Les piles et les batteries usagées ne sont pas des déchets ménagers. Rapportez les piles défectueuses ou les batteries usagées à votre revendeur ou à un centre de collecte.

14 Caractéristiques techniques

	TEC60EV
N° de produit :	9102900303
Tension nominale de sortie :	230 V~ / 50 Hz
Puissance continue max. (à 25 °C au niveau de la mer) :	6200 W
Tension de sortie du chargeur de batterie :	12 V===
Courant de sortie max. du chargeur de batterie :	30 A
Plage de température de fonctionnement :	-15 °C à +50 °C
Distorsion harmonique totale :	<3 %
Carburant :	Essence ordinaire ROZ 91
Consommation :	max. 3,7 l/h
Puissance du moteur :	6,6 kW (8,9 CV)
Régime max. :	3600 min ⁻¹
Huile de moteur :	1,1 l
CO ₂ valeur :	743 g/kW-hr
Niveau sonore :	91 dB(A)
Niveau sonore à 7 m :	66 dB(A)
Dimensions :	voir fig. 9 , page 7
Poids :	110 kg
Contrôle/certificat :	

Cette mesure du CO₂ résulte d'essais effectués sur un cycle d'essai fixe dans des conditions de laboratoire sur un moteur (parent) représentatif du type de moteur (famille de moteurs) et n'implique ni n'exprime aucune garantie quant à la performance d'un moteur particulier.

Antes de poner en funcionamiento el producto, lea atentamente estas instrucciones y consérvelas para futuras consultas. En caso de vender o entregar el producto a otra persona, entregue también estas instrucciones.

Índice

1	Explicación de los símbolos	70
2	Indicaciones de seguridad	71
3	Destinatarios de estas instrucciones	73
4	Volumen de entrega	73
5	Accesorios.	74
6	Uso adecuado	74
7	Descripción técnica	74
8	Manejo del generador	76
9	Limpiar el generador	82
10	Mantenimiento del generador	82
11	Solución de averías	87
12	Garantía legal	89
13	Gestión de residuos	89
14	Datos técnicos.	90

1 Explicación de los símbolos



¡ADVERTENCIA!

Aviso de seguridad sobre una situación de peligro que, si no se evita, puede causar la muerte o heridas graves.



¡ATENCIÓN!

Aviso de seguridad sobre una situación de peligro que, si no se evita, puede causar heridas leves o de consideración.

**¡AVISO!**

Aviso sobre una situación que, si no se evita, puede causar daños materiales.

**NOTA**

Información complementaria para el manejo del producto.

2 Indicaciones de seguridad

Tenga en cuenta las indicaciones de seguridad y la documentación suministrada por el fabricante y el taller del vehículo.

El fabricante declina toda responsabilidad ante daños ocurridos en los siguientes casos:

- desperfectos en el producto debidos a influencias mecánicas y una tensión de conexión incorrecta
- modificaciones realizadas en el producto sin el expreso consentimiento del fabricante
- utilización del aparato para fines distintos a los descritos en las instrucciones

El fabricante no se hace responsable de ningún daño resultante, especialmente de los daños resultantes que pudieran producirse como consecuencia de una avería en el generador.

Al utilizar los aparatos eléctricos, respete las siguientes normas básicas de seguridad para protegerse de:

- descargas eléctricas
- peligro de incendio
- lesiones

2.1 Seguridad básica



¡ADVERTENCIA! El incumplimiento de estas advertencias podría acarrear la muerte o lesiones graves.

Riesgo para la salud

- Utilice el aparato solo para aquellos fines para los que ha sido concebido.
- No realice modificaciones en el aparato.

- Solo personal técnico que conozca tanto los posibles peligros relacionados con el uso de generadores como las normas correspondientes tiene autorización para realizar las tareas de instalación y la reparación del generador. Las reparaciones que se realicen incorrectamente pueden dar lugar a situaciones de considerable peligro. En caso de reparaciones, diríjase a la filial del fabricante en su país (véase dorso).
- Las personas (incluidos los niños) que, debido a sus capacidades físicas, sensoriales o mentales, a su falta de experiencia o a desconocimiento, no pueden utilizar el aparato de forma segura, no tienen permitido utilizar este aparato sin la vigilancia y las instrucciones de una persona sobre la que recae tal responsabilidad.

Riesgo de asfixia

- Los gases de escape contienen monóxido de carbono, un gas tóxico inoloro e incoloro. No inhale los gases de escape. No deje el motor del generador en un garaje cerrado ni en un recinto sin ventanas.

Descargas eléctricas

¡Los aparatos eléctricos no son juguetes!

Los niños no tienen capacidad de percibir los peligros que representan los aparatos eléctricos. No deje que los niños usen aparatos eléctricos sin estar bajo su vigilancia.



¡ATENCIÓN! El incumplimiento de estas precauciones podría acarrear lesiones moderadas o leves.

Riesgo para la salud

- El generador solo se puede utilizar con la tapa cerrada.

Peligro de incendio

- Retire de los alrededores del generador todas las sustancias ligeramente inflamables como gasolina, barniz, disolventes, etc.
- Asegúrese de que ninguna parte del generador que se caliente durante el funcionamiento pueda entrar en contacto con ninguna sustancia fácilmente inflamable.
- Para llenar el depósito del generador, éste debe estar apagado y en un área bien ventilada. La gasolina y el gas licuado son altamente inflamables y pueden provocar explosiones.
- No llene el depósito del generador cuando el motor del vehículo esté en marcha si el depósito de este último se encuentra cerca del generador.
- Si se derrama gasolina, límpiela a fondo y espere a que dejen de emanar los efluvios antes de encender el motor.

Descargas eléctricas

- No toque el generador ni los cables con las manos húmedas.
- Los fusibles e interruptores térmicos se han de cambiar por otros que presenten las mismas características técnicas.
- Utilice el aparato sólo cuando la carcasa y los cables no presenten daños.

**¡AVISO! Peligro de ocasionar daños materiales**

- No llene demasiado el depósito de gasolina. En el cuello del depósito no debe haber nada de gasolina. Controle si la tapa está bien cerrada.
- Si es necesario realizar labores de soldadura en el vehículo, desconecte el cable que va al generador. De lo contrario, el sistema electrónico puede resultar dañado.

2.2 Seguridad durante el funcionamiento del aparato**¡ADVERTENCIA! El incumplimiento de estas advertencias podría acarrear la muerte o lesiones graves.****Descargas eléctricas**

- Siempre que realice tareas en el aparato desconecte la alimentación de corriente.

3 Destinatarios de estas instrucciones

Estas instrucciones de uso van dirigidas al usuario del generador.

4 Volumen de entrega**Denominación**

Generador TEC60E

Relé de conmutación para establecer una conexión de prioridad

Panel de control

Silenciador

Conducto de gases de escape

Material de fijación para el silenciador

Denominación

Cable de conexión

Material de fijación

Instrucciones de montaje

Instrucciones de uso

5 Accesorios

Disponibles como accesorios (no incluidos en el volumen de entrega):

Nombre de las piezas	Número de artículo
PR 250133, juego de juntas externas	9600025375

6 Uso adecuado

El generador TEC 60EV está diseñado para su uso en autocaravanas, caravanas y vehículos de uso comercial.

El generador **no** se ha concebido para ser instalado en embarcaciones.

El generador produce una tensión alterna senoidal de 230 V/50 Hz a la que se pueden conectar consumidores con una carga total constante de 6200 W.

La calidad de la corriente también resulta adecuada para consumidores sensibles (por ejemplo, PCs).

El generador puede cargar una batería de 12 V.

7 Descripción técnica

El generador consta de los siguientes elementos principales (fig. **1**, página 3):

- Generador de corriente con imanes permanentes **(1)**
- Motor de combustión **(2)**
- Caja de conexión **(3)**
- Inversor **(4)**
- Panel de control **(5)**

El motor de combustión (2) pone en rotación el generador de corriente (1), que está unido a él de forma fija, y el generador crea una tensión alterna.

El inversor interno (4) transforma esta corriente alterna en una tensión estable de 230 V y 50 Hz.

En la caja de conexión (3) situada detrás de la puerta se encuentran los terminales de conexión y el interruptor principal.

El manejo tiene lugar a través de un panel de control (5).

El generador lleva integrado un cargador para recargar la batería conectada.

Elementos de mando en el generador

La caja de conexión del generador se encuentra detrás de la tapa.

Pos. en fig. 2, página 3	Descripción	
1	Interruptor principal	Pone en modo standby el generador y lo apaga.
2	Fusible térmico	Salta cuando se produce sobrecalentamiento del inversor (véase capítulo "Mensajes en pantalla" en la página 78)

Elementos de mando en el panel de control

El panel de control está dispuesto en el interior del vehículo.

Pos. en fig. 3, página 4	Descripción	
1	Pantalla	Indica mensajes de estado.
2	Interruptor On/Off "⏻?"	Enciende y apaga el panel de control cuando el interruptor principal está en "I" o en "1". Detiene el generador en caso de emergencia.
3	Pulsador gris "START/STOP"	Pone en marcha/detiene el funcionamiento del generador cuando el panel de control está encendido y el interruptor principal está en "I" o "1".

Pos. en fig. 3, página 4	Descripción	
4	Indicación de gasolina	Se ilumina cuando el nivel de gasolina está en la reserva.
5	Indicación de aceite	Se ilumina cuando el nivel de aceite del motor es demasiado bajo.

Indicaciones de display

Pos. en fig. 3, página 4	Descripción	
6	Tensión alterna	Tensión de salida actual
7	Potencia constante	Potencia actual de los consumidores conectados
8	Horas de funcionamiento	Tiempo que el generador está en funcionamiento
9	Tensión continua	Tensión de carga de la batería
10	Mensajes	Mensaje de estado del generador (véase capítulo “Mensajes en pantalla” en la página 78)

8 Manejo del generador



¡AVISO! Peligro de ocasionar daños materiales

En las primeras 50 horas de funcionamiento (fase inicial) no utilice el generador a más del 70 % de su potencia constante máxima.



NOTA

Así podrá prolongar la vida útil del generador y optimizar su rendimiento:

Tras la fase inicial, no utilice el generador a más de aproximadamente el 75 % de su potencia constante máxima.

8.1 Indicaciones básicas para el manejo



¡ATENCIÓN! ¡Peligro de sufrir lesiones!

No introduzca el dedo ni ningún objeto en las toberas de aire ni en la rejilla de aspiración.

Tenga en cuenta las siguientes indicaciones básicas:

- Controle el nivel de aceite antes de cada uso (capítulo “Controlar el nivel de aceite” en la página 81).
- Con el tiempo, también cargas reducidas provocan una parada del generador.
- Tras el uso, deje el generador unos minutos en funcionamiento sin consumidores antes de pararlo.
- Las frenadas bruscas, los acelerones y los trayectos en curva pueden causar problemas en el sistema de bombeo del generador y provocar que se apague imprevistamente.
- Si no se utiliza el generador durante bastante tiempo, póngalo en marcha por lo menos cada 30 días durante un mínimo de 15 minutos.

8.2 Encender o apagar el generador

Con el interruptor principal (fig. **2** 1, página 3) de la caja de conexión, se pone en standby y se apaga el generador.

8.3 Encender y apagar el panel de control

Con el interruptor On/Off (fig. **3** 2, página 4) del panel de control se enciende y apaga dicho panel.

➤ Encienda el panel de control con el interruptor On/Off.

✓ La pantalla muestra: *GEN OFF*.

La pantalla se apaga automáticamente tras 5 minutos si durante este tiempo no se ha accionado el pulsador de arranque.

Pulsando dicho pulsador se puede volver a encender la pantalla.

✓ Ahora se puede poner en marcha el generador.

8.4 Poner en marcha el generador

El generador solo se puede poner en marcha si está en standby y si el panel de control está encendido.

- Ponga en marcha el generador con el pulsador gris “START/STOP” (fig. 3 3, página 4).

8.5 Parar el generador

- Pare el generador con el pulsador gris “START/STOP” (fig. 3 3, página 4).
- ✓ El inversor se detiene inmediatamente. El generador sigue funcionando durante 30 segundos para enfriarse y, seguidamente, se detiene también.



¡AVISO! Peligro de ocasionar daños materiales

Pare siempre el generador con el pulsador gris “START/STOP” para evitar que se produzcan daños en él.

Solo en caso de emergencia se puede parar el generador con el interruptor principal rojo.

8.6 Mensajes en pantalla

Indicación en pantalla Descripción	Comportamiento del generador	Medidas
LOW BATTERY La tensión de batería ha descendido por debajo del valor mínimo necesario para intentar arrancar (9 V).	El generador no arranca.	Cargue la batería.
CHECK OIL LEVEL	El generador sigue en marcha.	Rellenar aceite (véase capítulo “Controlar el nivel de aceite” en la página 81).
OIL CHANGE El contador de horas de funcionamiento ha alcanzado el valor establecido para cambiar el aceite del motor.	El generador sigue en marcha.	Cambie el aceite (véase capítulo “Cambiar el aceite (fig. 6, página 5)” en la página 84) y, a continuación, confirme el mensaje pulsando prolongadamente el pulsador “START/STOP”. Para poner nuevamente en marcha el generador, pulse otra vez prolongadamente el pulsador “START/STOP”.

Indicación en pantalla Descripción	Comportamiento del generador	Medidas
NO FUEL La gasolina del depósito está en la reserva.	El generador sigue en marcha.	Llenar el depósito.
OIL ALERT Falta aceite del motor.	El generador se para.	Rellenar aceite (véase capítulo "Controlar el nivel de aceite" en la página 81).
GENERATOR ALERT! Mensaje general de alarma Ejemplo: El anillo de control de la válvula de estrangulación del carburador (motor paso a paso) está averiado.	El generador se para.	Compruebe el sistema con ayuda de la tabla de averías, causas y soluciones. En caso de que no sea posible eliminar el problema, diríjase a la filial del fabricante en su país (véase dorso).
OVERLOAD! Los consumidores generan una sobrecarga en la salida.	El inversor se desactiva, por lo que deja de suministrarse tensión y el motor sigue en rotación hasta que se para.	Disminuya la carga y vuelva a poner en marcha el generador.
SHORT CIRCUIT Los consumidores provocan un cortocircuito en la salida.	El inversor se desactiva, por lo que deja de suministrarse tensión y el motor sigue en rotación hasta que se para.	Controle el estado de los consumidores conectados y seguidamente vuelva a poner en marcha el generador.
OVER TEMPERATURE Sobrecalentamiento	El inversor se desactiva, por lo que deja de suministrarse tensión, pero el motor sigue en rotación para enfriar el generador.	Deje enfriar el generador durante unos minutos y seguidamente vuelva a poner en marcha el generador.
LOW POWER ENGINE Caída de la tensión de alimentación del inversor.	El generador se para.	Disminuya la carga y vuelva a poner en marcha el generador.
OVERSPEED Velocidad demasiado alta	El generador se para.	Ponga nuevamente en marcha el generador. En caso de que no sea posible eliminar el problema, diríjase a la filial del fabricante en su país (véase dorso).
START FAILED Ejemplo: no hay gasolina, temperatura fría, bujía averiada, filtro de aire sucio	El generador está apagado.	Ponga nuevamente en marcha el generador.

Indicación en pantalla Descripción	Comportamiento del generador	Medidas
<i>GEN CAL</i> Mensaje que aparece al poner en marcha el generador; muestra la fase de calibración que antecede a cada puesta en marcha. El generador todavía suministra tensión.	El generador gira, pero no genera tensión.	Espere un momento.
<i>GEN WAIT</i> Mensaje que aparece en el intermedio entre dos intentos de arranque.	El generador está apagado.	Espere hasta que desaparezca el mensaje y seguidamente vuelva a intentar nuevamente el arranque.
<i>GEN ON</i> Funcionamiento normal del generador	Funcionamiento normal	–
<i>GEN OFF</i>	El generador se para y se puede poner en marcha	–
<i>GEN STOP</i>	El generador se ha detenido.	Espere un momento.
<i>WAIT COOLING</i>	El motor está funcionando sin carga para enfriar el sistema.	Espere un momento.
<i>INVERTER LOST COMM</i>	El generador se para.	Compruebe el sistema con ayuda de la tabla de averías, causas y soluciones. En caso de que no sea posible eliminar el problema, diríjase a la filial del fabricante en su país (véase dorso).
<i>ENGINE LOST COMM</i>	El generador se para.	Compruebe el sistema con ayuda de la tabla de averías, causas y soluciones. En caso de que no sea posible eliminar el problema, diríjase a la filial del fabricante en su país (véase dorso).
<i>INVERTER FAILED</i>	El generador se para.	Diríjase a la filial del fabricante en su país (véase dorso).
<i>ENG. PARAM. ERROR</i>	El generador se para.	Diríjase a la filial del fabricante en su país (véase dorso).

Indicación en pantalla Descripción	Comportamiento del generador	Medidas
<i>INV. PARAM. ERROR</i>	El generador se para.	Diríjase a la filial del fabricante en su país (véase dorso).
<i>SOFTWARE ERROR</i>	El generador se para.	Diríjase a la filial del fabricante en su país (véase dorso).

8.7 Controlar el nivel de aceite



¡ATENCIÓN! Peligro de sufrir lesiones

El aceite caliente puede provocar quemaduras.

Para comprobar el nivel de aceite el generador debe estar apagado.



NOTA

El generador debe estar en horizontal.

Controle el nivel de aceite antes de cada uso. Para ello proceda de la siguiente manera:

- Abra la tapa del generador.
- Apague el generador con el interruptor principal (fig. 4 1, página 4).
- Desconecte la conexión al polo positivo de la batería de alimentación.
- Extraiga la varilla de medición (fig. 4 2, página 4) del tubo de llenado (fig. 4 3, página 4).
- Limpie la varilla de medición (fig. 4 2, página 4) con un paño.
- Introduzca la varilla de medición (fig. 4 2, página 4) totalmente en el tubo de llenado (fig. 4 3, página 4).
- Extraiga la varilla de medición (fig. 4 2, página 4) del tubo de llenado.
- Controle si el nivel de aceite está entre la marca (nivel de llenado máximo) y la punta de la varilla de medición.
De no ser así, rellene aceite.
- Introduzca la varilla de medición (fig. 4 2, página 4) totalmente en el tubo de llenado (fig. 4 3, página 4).
- Compruebe que el nivel de aceite no se encuentre por encima del nivel máximo.
- Conecte el generador con el polo positivo de la batería de alimentación.

- Con el interruptor principal (fig. 4 1, página 4) ponga el generador en standby.
- Cierre la tapa del generador.

9 Limpiar el generador



¡AVISO! Peligro de ocasionar daños materiales

- No limpie el generador con un limpiador de alta presión. La entrada de agua podría dañar el generador.
- Para la limpieza no utilice ningún objeto afilado o duro ni detergentes, ya que ello podría dañar el generador.
- Para limpiar el generador utilice únicamente agua con un detergente suave. No utilice bajo ningún concepto gasolina, diésel o disolventes.

- Limpie de vez en cuando la carcasa del generador con un paño húmedo.
- Limpie con regularidad las aberturas de ventilación del generador. Al hacerlo preste atención a no dañar las láminas del generador.

10 Mantenimiento del generador



NOTA

Encuentre su interlocutor de servicio de Dometic en internet: service-location.dometic.com

10.1 Tabla de mantenimiento



¡ADVERTENCIA!

Encargue todos los trabajos de mantenimiento a personal especializado que conozca las normativas pertinentes. Los trabajos de mantenimiento que se realicen incorrectamente pueden dar lugar a situaciones de considerable peligro.



NOTA

Encargue la realización de los siguientes trabajos de mantenimiento en los intervalos indicados o tras el número de horas de funcionamiento indicadas, dependiendo de qué se produzca antes.

Intervalo	Comprobación/mantenimiento
El primer mes o después de 20 h	<ul style="list-style-type: none"> ➤ Haga cambiar el aceite. ➤ Encargue el mantenimiento del filtro de aire (capítulo "Mantenimiento del filtro de aire" en la página 85).
Cada 3 meses o después de 50 h	<ul style="list-style-type: none"> ➤ Encargue el mantenimiento del filtro de aire (capítulo "Mantenimiento del filtro de aire" en la página 85).
Cada 6 meses o después de 100 h	<ul style="list-style-type: none"> ➤ Haga cambiar el aceite. ➤ Encargue el mantenimiento de la bujía de encendido (capítulo "Mantenimiento de la bujía de encendido" en la página 86).
Una vez al año o cada 300 h	<ul style="list-style-type: none"> ➤ Encargue el mantenimiento de las válvulas. ➤ Encargue el mantenimiento del depósito de gasolina y del filtro de combustible. ➤ Encargue el mantenimiento del amortiguador de vibraciones.
Cada dos años	<ul style="list-style-type: none"> ➤ Compruebe los conductos de suministro de gasolina.

10.2 Preparativos para los trabajos de mantenimiento



¡ATENCIÓN! Peligro de sufrir lesiones

Para todos los trabajos de mantenimiento tenga en cuenta:

- El generador no debe estar en funcionamiento.
- Todas las piezas deben estar frías.

- Abra la tapa del generador.
- Apague el generador con el interruptor principal (fig. **2** 1, página 3).
- Desconecte la conexión al polo positivo de la batería de alimentación.

Para los trabajos de mantenimiento se puede extraer el generador (fig. **5**, página 5):



¡ADVERTENCIA! Peligro de sufrir lesiones

La placa soporte con el generador es muy pesada (>70 kg) y se puede caer de la carcasa si se extrae excesivamente.

- Afloje los tornillos de fijación (**1**).
- Extraiga la placa soporte (**2**) con el generador de la carcasa (**3**).

10.3 Finalizar los trabajos de mantenimiento

- Conecte el generador con el polo positivo de la batería de alimentación.
- Con el interruptor principal (fig. 4 1, página 4) ponga el generador en standby.
- Cierre la tapa del generador.

10.4 Cambiar el aceite (fig. 6 1, página 5)



¡ATENCIÓN! Peligro de sufrir lesiones

El aceite caliente puede provocar quemaduras.



¡AVISO! Peligro de ocasionar daños materiales

El aceite usado debe eliminarlo o reciclarlo una empresa especializada. Respete a este efecto las leyes relativas a la protección del medio ambiente que rijan en el país en el que se encuentre.

Puede utilizar los siguientes aceites:

- Aceite de la clase SAE 5W-30 (se puede utilizar con todas las temperaturas).
- Aceite con viscosidad de gama única.
 Seleccione la viscosidad adecuada en función de la temperatura media del lugar.

Para cambiar el aceite:

- Deje que el generador se caliente funcionando entre tres y cinco minutos para que el aceite se haga más líquido y salga así más rápidamente y por completo.
- Coloque un recipiente adecuado debajo del tornillo de purga (fig. 6 1, página 5).
- Retire la varilla de medición de aceite.
- Retire el tornillo de purga (fig. 6 1, página 5).
- ✓ El aceite sale.
- Llene aceite limpio por el tubo de llenado.
 La cantidad de aceite es de 1,1 l.
- Conecte la clavija de desagüe.

10.5 Mantenimiento del filtro de aire



¡ADVERTENCIA! ¡Peligro de explosión!

Para limpiar el filtro de aire no utilice aceite diésel ni disolventes con un bajo punto de evaporación, pues podrían inflamarse o explotar.



¡AVISO! Peligro de ocasionar daños materiales

No ponga nunca el motor en funcionamiento sin filtro de aire, pues ello provocaría un desgaste prematuro del motor.



NOTA

Si el filtro de aire está sucio, disminuye la corriente de aire hacia el carburador. Para que el carburador funcione bien es necesario controlar a intervalos regulares el estado del filtro. Contrólolo con más frecuencia si el generador se utiliza en un entorno especialmente polvoriento.

- Prepare los trabajos de mantenimiento y extraiga un poco el generador de la carcasa; véase capítulo “Preparativos para los trabajos de mantenimiento” en la página 83.
- Retire los tornillos (fig. **7** 1, página 6) y la tapa del filtro (fig. **7** 2, página 6).
- Retire los tornillos (fig. **7** 3, página 6).
- Extraiga el filtro de aire (fig. **7** 4, página 6).
El filtro de aire consta de dos elementos: un filtro de esponja y un filtro de papel.
- Controle detalladamente el estado de ambos elementos de filtro. Cambie los elementos de filtro dañados.
- Limpie los elementos de filtro que no estén dañados; consulte para ello los siguientes apartados.
- Conecte el filtro.
- Vuelva a colocar el tornillo.
- Coloque la tapa del filtro.
- Finalice los trabajos de mantenimiento; véase al respecto el capítulo “Finalizar los trabajos de mantenimiento” en la página 84.

Limpiar el filtro de esponja

- Lave la esponja con una solución de detergente neutra y enjuáguelo bien.
- Deje que la esponja se seque del todo.

- Impregne la esponja con aceite de motor limpio.
- Exprima el aceite sobrante.

Limpiar el filtro de papel

- Elimine la suciedad golpeando repetidamente con suavidad el papel contra una superficie dura o bien soplando aire comprimido de dentro hacia fuera.
No cepille el papel, pues con ello penetraría la suciedad en las fibras del filtro de papel.
- Si el filtro de papel está muy sucio, cámbielo.

10.6 Mantenimiento de la bujía de encendido



¡AVISO! Peligro de ocasionar daños materiales

- Apriete cuidadosamente la bujía de encendido. Una bujía que no esté bien apretada se puede calentar mucho y provocar daños en el motor.
- Utilice únicamente bujías equivalentes.
- Al colocar una nueva bujía de encendido, apriétela media vuelta cuando esté fija sobre la arandela. En el caso de bujías de encendido ya usadas basta con apretarla 1/4 o 1/8 de vuelta.

- Prepare los trabajos de mantenimiento; véase al respecto el capítulo “Preparativos para los trabajos de mantenimiento” en la página 83.
- Retire el conector de la bujía.
- Extraiga la bujía con una llave de bujías.
- Controle la bujía con una inspección visual.
Si la bujía presenta síntomas obvios de desgaste o si el aislador está dañado o roto, deberá cambiar la bujía.
Si la bujía únicamente está sucia, límpiela con un cepillo metálico.
- Mida la distancia entre los electrodos con un medidor de espesores (fig. 8, página 6). La distancia debe ser entre 0,7 y 0,8 mm, y si es necesario se puede corregir doblando el electrodo.
- Compruebe si la junta de la bujía está intacta.
- Enrosque manualmente la bujía para evitar que se dañe la rosca.
- Apriete la bujía con una llave de bujías de modo que se presione la arandela de apoyo.

- Finalice los trabajos de mantenimiento; véase al respecto el capítulo “Finalizar los trabajos de mantenimiento” en la página 84.

11 Solución de averías

Avería	Causa	Solución
Al presionar el pulsador On/Off no se enciende el panel de control.	Batería de arranque descargada.	➤ Cargue la batería de arranque.
	Ha saltado el fusible (en caso de haberlo).	➤ Diríjase a un taller autorizado.
Al presionar el pulsador de arranque no gira el motor de arranque.	Batería de arranque descargada.	➤ Cargue la batería de arranque.
	El interruptor principal está en “0”.	➤ Coloque el interruptor principal en la posición “1” o “1”.
	Placa dañada.	➤ Diríjase a un taller autorizado.
El motor de arranque gira, pero el generador no se pone en marcha.	El motor de arranque no recibe alimentación de corriente.	
	No hay gasolina.	➤ Rellene gasolina.
	Demasiado aceite en el motor.	➤ Deje salir el aceite.
	La bujía de encendido no recibe alimentación de corriente.	➤ Compruebe las conexiones eléctricas.
	El carburador no recibe alimentación de gasolina.	➤ Limpie el carburador.
	Aspiración de aire obstruida.	➤ Controle el filtro de aire (véase capítulo “Mantenimiento del filtro de aire” en la página 85).
	Inversor dañado.	➤ Diríjase a un taller autorizado.

Avería	Causa	Solución
El generador tiende a apagarse.	Demasiado aceite en el motor.	➤ Deje salir el aceite.
	Carga superior a 6,2 kW.	➤ Desconecte los consumidores.
	El carburador no recibe alimentación de gasolina.	➤ Limpie el carburador.
	Aspiración de aire obstruida.	➤ Controle el filtro de aire (véase capítulo "Mantenimiento del filtro de aire" en la página 85).
	Inversor dañado.	➤ Diríjase a un taller autorizado.
	Electroimán (motor de arranque) bloqueado.	
	Filtro de aire sucio.	➤ Controle el filtro de aire (véase capítulo "Mantenimiento del filtro de aire" en la página 85).
	El filtro de combustible está sucio.	➤ Sustituya el filtro de combustible.
El generador se ha puesto en marcha, pero no genera tensión.	Inversor dañado.	➤ Compruebe las conexiones eléctricas.
	La velocidad es demasiado baja.	➤ Diríjase a un taller autorizado.
El generador arranca con una fuerte aceleración pero se para con el mensaje "GENERATOR ALERT".	Motor paso a paso averiado.	➤ Diríjase a un taller autorizado.
La tensión generada es inestable.	Inversor dañado.	➤ Diríjase a un taller autorizado.

12 Garantía legal

Rige el plazo de garantía legal. Si el producto presenta algún defecto, diríjase a nuestro socio de servicio en su país (véase dorso).

Nuestros especialistas estarán encantados de poder ayudarle y de poder orientarle en los siguientes pasos a dar respecto a la garantía.

13 Gestión de residuos

► Deseche el material de embalaje en el contenedor de reciclaje correspondiente.



Cuando vaya a desechar definitivamente el producto, infórmese en el centro de reciclaje más cercano o en un comercio especializado sobre las normas pertinentes de eliminación de materiales.





¡Proteja el medio ambiente!

Las baterías y pilas no son basura doméstica.

Entregue las baterías defectuosas o las pilas vacías en un establecimiento o deposítelas en un contenedor especializado.

14 Datos técnicos

	TEC60EV
N.º de art.:	9102900303
Tensión nominal de salida:	230 V~ / 50 Hz
Potencia constante máxima (a 25 °C a la altura del nivel del mar):	6200 W
Tensión de salida del cargador de batería:	12 V===
Corriente máx. de salida del cargador de batería:	30 A
Rango de temperatura de funcionamiento:	de -15 °C a +50 °C
Distorsión total armónica:	<3 %
Combustible:	Gasolina normal ROZ 91
Consumo:	Máx. 3,7 l/h
Potencia del motor:	6,6 kW (8,9 PS)
Velocidad máx.:	3600 min ⁻¹
Aceite del motor:	1,1 l
Valor de CO ₂ :	743 g/kW-hr
Nivel de ruido:	91 dB(A)
Nivel de ruido a 7 m:	66 dB(A)
Dimensiones:	véase fig. 9 , página 7
Peso:	110 kg
Homologación/Certificados:	 

Esta medición de CO₂ es el resultado de unas pruebas sobre un ciclo de prueba fijo en condiciones de laboratorio de un motor (de referencia) representativo del tipo de motor (familia de motores) y no garantiza el rendimiento de un motor particular

Por favor, leia atentamente este manual antes da colocação em funcionamento do aparelho e guarde-o em local seguro. Em caso de transmissão do produto, entregue o manual ao novo utilizador.

Índice

1	Explicação dos símbolos	91
2	Indicações de segurança	92
3	Destinatários do presente manual	94
4	Material fornecido	94
5	Acessórios	95
6	Utilização adequada	95
7	Descrição técnica	95
8	Operar o gerador	97
9	Limpar o gerador	102
10	Manutenção do gerador	103
11	Eliminar falhas	108
12	Garantia	110
13	Eliminação	110
14	Dados técnicos	111

1 Explicação dos símbolos



AVISO!

Indicação de segurança sobre uma situação de perigo que pode levar à morte ou a ferimentos graves se não for evitada.



PRECAUÇÃO!

Indicação de segurança sobre uma situação de perigo que pode levar a ferimentos ligeiros ou moderados se não for evitada.

**NOTA!**

Indicação sobre uma situação que leva a danos materiais se não for evitada.

**OBSERVAÇÃO**

Informações complementares sobre a operação do produto.

2 Indicações de segurança

Cumpra as advertências de segurança e o especificado na literatura do fabricante automóvel e das associações profissionais!

O fabricante não se responsabiliza por danos nos seguintes casos:

- Danos no produto resultantes de influências mecânicas e tensão de conexão incorreta
- Alterações ao produto sem autorização expressa do fabricante
- Utilização para outras finalidades que não as descritas no manual de instruções

O mesmo não se responsabiliza em caso de danos recorrentes, sobretudo danos recorrentes que possam ocorrer devido a falhas de funcionamento do gerador.

Tenha em atenção as seguintes medidas de segurança fundamentais na utilização de aparelhos elétricos para a proteção contra:

- choque elétrico
- perigo de incêndio
- ferimentos

2.1 Princípios básicos de segurança



AVISO! O incumprimento destes avisos poderá resultar em morte ou ferimentos graves.

Risco para a saúde

- Utilize o aparelho apenas para a utilização adequada.
- Não deve executar quaisquer alterações ou modificações no aparelho!

- A instalação, a manutenção e as reparações no gerador apenas devem ser realizadas por técnicos especializados que estão familiarizados com os perigos inerentes durante o manuseamento do gerador ou com as normas em vigor. As reparações inadequadas podem levar a perigos graves. Em caso de reparações, entre em contacto com a filial do fabricante no seu país (ver verso).
- As pessoas (incluindo crianças) que não estão aptas a utilizar o aparelho de modo seguro devido a incapacidade física, sensorial ou mental ou devido à sua inexperiência, não devem utilizar o aparelho sem a supervisão ou as instruções de uma pessoa responsável.

Risco de asfixia

- Os gases de escape contêm monóxido de carbono, um gás extremamente tóxico, incolor e inodoro. Os gases de escape não devem ser inalados. Não deixe o motor do gerador a trabalhar numa garagem fechada ou numa sala sem janelas.

Eletrocussão

Os aparelhos elétricos não são um brinquedo!

As crianças não conseguem avaliar adequadamente os perigos decorrentes dos equipamentos elétricos. Não permita que as crianças utilizem equipamentos elétricos sem supervisão.



PRECAUÇÃO! O incumprimento destas advertências poderá resultar em ferimentos ligeiros ou moderados.

Risco para a saúde

- O gerador apenas pode ser utilizado com a tampa fechada.

Perigo de incêndio

- Remova das imediações do gerador todos os materiais inflamáveis, tais como gasolina, tintas, solventes, etc.
- Certifique-se de que as partes quentes do gerador não entram em contacto com materiais facilmente inflamáveis.
- Abasteça o gerador num espaço bem ventilado e apenas quando está desligado. A gasolina e o gás líquido são altamente inflamáveis e podem explodir.
- Não abasteça o gerador com o motor do veículo ligado se o depósito estiver perto do gerador.
- Se derramar gasolina, limpe-a bem e, antes de ligar o motor, aguarde até que os vapores deixem de ser libertados.

Eletrocussão

- Não toque no gerador nem nos cabos com as mãos molhadas.

- Apenas substitua os fusíveis e os interruptores térmicos por outros com as mesmas características técnicas.
- Utilize o aparelho apenas quando o corpo e os cabos não apresentam danos.



NOTA! Perigo de danos

- Não abastece o depósito em demasia. No gargalo do depósito não deve existir gasolina. Verifique se o tampão está bem fechado.
- Quando é necessário realizar trabalhos de soldadura no veículo, desligue todos os cabos de ligação ao gerador; sob pena de danificar o sistema eletrónico.

2.2 Segurança durante a utilização do aparelho



AVISO! O incumprimento destes avisos poderá resultar em morte ou ferimentos graves.

Eletrocussão

- Para realizar trabalhos no aparelho, deve interromper sempre a alimentação de corrente.

3 Destinatários do presente manual

Este manual de instruções destina-se ao utilizador do gerador.

4 Material fornecido

Designação

Gerador TEC60EV

Relé de comutação para estabelecer uma ligação de prioridade

Painel de comando

Silenciador

Conduta de gases de escape

Material de fixação para o silenciador

Cabo de conexão

Material de fixação

Designação

Manual de montagem

Manual de instruções

5 Acessórios

Disponível como acessório (não incluído no material fornecido):

Designação das peças**Número de artigo**

PR 250133, conjunto de vedações externas

9600025375

6 Utilização adequada

O gerador TEC 60EV foi concebido para o uso em autocaravanas, caravanas e veículos comerciais.

O gerador **não** é adequado para ser instalado em embarcações.

O gerador produz uma tensão alternada sinusoidal pura de 230 V/50 Hz que pode ser conectada ao consumidor com uma carga total constante de 6200 W.

A qualidade da corrente também é apropriada para consumidores sensíveis (p.ex. PC).

O gerador pode carregar uma bateria de 12 V.

7 Descrição técnica

O gerador é composto pelos seguintes elementos principais (fig. **1**, página 3):

- Gerador de corrente com ímanes permanentes **(1)**
- Motor de combustão **(2)**
- Caixa de conexão **(3)**
- Inversor **(4)**
- Painel de comando **(5)**

O motor de combustão **(2)** põe o gerador de corrente **(1)** a ele conetado em rotação, o qual, por sua vez, gera uma tensão alternada.

O inversor externo (4) converte esta tensão alternada numa tensão estável de 230 V e 50 Hz, disponível nos bornes do inversor. No inversor está instalada a tomada para o cabo de conexão do painel de comando.

Na caixa de conexão (3) localizada atrás da porta encontram-se os terminais de conexão e o interruptor principal.

A operação processa-se através do painel de comando (5).

O gerador possui um carregador de baterias integrado para carregar a bateria conectada.

Elementos de comando no gerador

A caixa de conexão do gerador encontra-se por trás da tampa.

Pos. na fig. 2, página 3	Descrição	
1	Botão principal	Liga ou desliga o gerador.
2	Fusível térmico	Dispara caso o inversor aqueça em demasia (ver capítulo "Mensagens no mostrador" na página 99)

Elementos de comando no painel de comando

O painel de comando está instalado no interior do veículo.

Pos. na fig. 3, página 4	Descrição	
1	Monitor	Exibe mensagens de estado.
2	Interruptor para ligar/desligar "⏻"?	Liga e desliga o painel de comando quando o interruptor principal está em "I" ou "1". Para o gerador em caso de emergência.
3	Botão cinzento "START/STOP"	Coloca o gerador a trabalhar ou para o gerador quando o painel de comando está ligado e o interruptor principal se encontra em "I" ou "1".
4	Indicação do nível de gasolina	Acende quando a gasolina está na reserva.
5	Indicação do nível do óleo	Acende quando o nível do óleo está demasiado baixo.

Indicações do mostrador

Pos. na fig. 3, página 4	Descrição	
6	Tensão alternada	Tensão de saída atual
7	Potência contínua	Potência atual dos consumidores conectados
8	Horas de funcionamento	Tempo durante o qual o gerador esteve a trabalhar
9	Tensão contínua	Tensão de carga da bateria
10	Mensagens	Mensagem de estado do gerador (ver capítulo "Mensagens no mostrador" na página 99)

8 Operar o gerador



NOTA! Perigo de danos

Nas primeiras 50 horas de funcionamento (fase inicial), não utilize o gerador a mais de 70 % da sua potência contínua máxima.



OBSERVAÇÃO

Deste modo pode prolongar a vida útil do gerador, bem como otimizar o rendimento do mesmo.
Após a fase inicial, não utilize o gerador a mais de aprox. 75 % da sua potência contínua máxima.

8.1 Indicações básicas relativas à operação



PRECAUÇÃO! Perigo de ferimentos!

Não introduza as mãos ou objetos nos bocais de ar nem da grelha de aspiração.

Preste atenção às seguinte indicações básicas:

- Antes de cada utilização, verifique o nível do óleo (capítulo "Controlar o nível do óleo" na página 101).
- Mesmo pequenas sobrecargas levam a que, com o tempo, o gerador deixe de trabalhar.

- Depois de utilizar o gerador, deixe-o a trabalhar por alguns segundos sem consumidores ligados antes de o desligar.
- Travagens bruscas, acelerações e condução em trajetos com curvas podem causar problemas no sistema de bomba do gerador e provocar uma desativação indesejada.
- Se não utilizar o gerador durante muito tempo, ligue-o, pelo menos, de 30 em 30 dias e deixe-o a trabalhar, no mínimo, 15 minutos.

8.2 Colocar o gerador em modo operacional ou sem função

O gerador é ligado ou desligado através do botão principal (fig. **2** 1, página 3) localizado na caixa de conexão.

8.3 Ligar e desligar o painel de comando

O painel de comando é ligado e desligado através do botão para ligar/desligar (fig. **3** 2, página 4) localizado no painel de comando.

- ▶ Ligue o painel de comando através do botão para ligar/desligar.
- ✓ O mostrador apresenta: *GEN OFF*.
O mostrador desliga-se automaticamente após 5 minutos se durante esse espaço de tempo não tiver sido acionado o botão de arranque.
Ao pressionar o botão de arranque, o mostrador volta a ligar-se.
- ✓ O gerador pode agora ser colocado a trabalhar.

8.4 Colocar o gerador a trabalhar

O gerador apenas pode ser colocado a trabalhar quando está operacional e o painel de comando estiver ligado.

- ▶ Ponha o gerador a trabalhar com o botão cinzento "START/STOP" (fig. **3** 3, página 4).

8.5 Parar o gerador

- ▶ Pare o gerador com o botão cinzento "START/STOP" (fig. **3** 3, página 4).
- ✓ O inversor desliga-se imediatamente. O gerador continua a trabalhar por mais 30 segundos para arrefecer e depois para também.



NOTA! Perigo de danos

Pare sempre o gerador com o botão cinzento "START/STOP" para evitar danos no motor.

Desligue o gerador no interruptor principal vermelho apenas em caso de emergência.

8.6 Mensagens no mostrador

Mensagem no mostrador Descrição	Comportamento do gerador	Medidas
<i>LOW BATTERY</i> A tensão da bateria desceu abaixo do valor mínimo necessário para proceder a tentativas de arranque (9 V).	O gerador não arranca.	Carregar a bateria.
<i>CHECK OIL LEVEL</i>	O gerador continua a trabalhar.	Reabastecer óleo (ver capítulo "Controlar o nível do óleo" na página 101).
<i>OIL CHANGE</i> As horas de funcionamento atingiram o valor estabelecido para a mudança do óleo do motor.	O gerador continua a trabalhar.	Proceder à mudança do óleo (ver capítulo "Mudar o óleo" na página 104) e depois confirmar a mensagem, pressionando durante algum tempo o botão "START/STOP". Voltar a ligar o gerador, pressionando durante algum tempo o botão "START/STOP".
<i>NO FUEL</i> A gasolina no depósito está na reserva.	O gerador continua a trabalhar.	Abastecer.
<i>OIL ALERT</i> Falta óleo no motor.	O gerador para.	Reabastecer óleo (ver capítulo "Controlar o nível do óleo" na página 101).
<i>GENERATOR ALERT!</i> Mensagem de alarme geral Exemplo: O anel de controlo da válvula de estrangulamento do carburador (motor passo a passo) está avariado.	O gerador para.	Verificar o sistema com a ajuda da tabela de avarias, causas e soluções. Caso o problema não possa ser resolvido, entre em contacto com a filial do fabricante no seu país (ver verso).

Mensagem no mostrador Descrição	Comportamento do gerador	Medidas
<i>OVERLOAD!</i> Os consumidores geram uma sobrecarga na saída.	O inversor desliga-se e, por isso, deixa de ser transmitida tensão, mas o motor continua a trabalhar até ir abaixo.	Diminuir a carga e voltar a colocar o gerador a trabalhar.
<i>SHORT CIRCUIT</i> Os consumidores geram um curto-circuito na saída.	O inversor desliga-se e, por isso, deixa de ser transmitida tensão, mas o motor continua a trabalhar até ir abaixo.	Controlar o estado dos consumidores, depois voltar a colocar o gerador a trabalhar.
<i>OVER TEMPERATURE</i> Sobreaquecimento	O inversor desliga-se e, por isso, deixa de ser transmitida tensão, mas o motor continua a trabalhar para arrefecer o gerador.	Deixar o gerador arrefecer, aguardar alguns minutos, depois voltar a colocar o gerador a trabalhar.
<i>LOW POWER ENGINE</i> Queda da tensão de alimentação do inversor.	O gerador para.	Diminuir a carga e voltar a colocar o gerador a trabalhar.
<i>OVERSPEED</i> Velocidade de rotação demasiado elevada	O gerador para.	Voltar a colocar o gerador a trabalhar. Caso o problema não possa ser resolvido, entre em contacto com a filial do fabricante no seu país (ver verso).
<i>START FAILED</i> Exemplo: sem gasolina, temperaturas frias, vela danificada, filtro de ar sujo	O gerador está desligado.	Voltar a colocar o gerador a trabalhar.
<i>GEN CAL</i> Mensagem exibida durante o arranque do gerador; mostra a fase de calibração que antecede cada arranque. O gerador ainda não gera tensão.	O gerador roda mas não gera tensão.	Aguardar um momento.
<i>GEN WAIT</i> Mensagem exibida durante o intervalo entre duas tentativas de arranque.	O gerador está desligado.	Aguardar até a mensagem apagar, depois tentar novamente o arranque.
<i>GEN ON</i> Funcionamento normal do gerador.	Funcionamento normal	–
<i>GEN OFF</i>	O gerador está parado e pode ser colocado a trabalhar	–

Mensagem no mostrador Descrição	Comportamento do gerador	Medidas
<i>GEN STOP</i>	O gerador está parado.	Aguardar um momento.
<i>WAIT COOLING</i>	O motor está a trabalhar sem carga para arrefecer o sistema.	Aguardar um momento.
<i>INVERTER LOST COMM</i>	O gerador para.	Verificar o sistema com a ajuda da tabela de avarias, causas e soluções. Caso o problema não possa ser resolvido, entre em contacto com a filial do fabricante no seu país (ver verso).
<i>ENGINE LOST COMM</i>	O gerador para.	Verificar o sistema com a ajuda da tabela de avarias, causas e soluções. Caso o problema não possa ser resolvido, entre em contacto com a filial do fabricante no seu país (ver verso).
<i>INVERTER FAILED</i>	O gerador para.	Entre em contacto com a filial do fabricante no seu país (ver verso).
<i>ENG. PARAM. ERROR</i>	O gerador para.	Entre em contacto com a filial do fabricante no seu país (ver verso).
<i>INV. PARAM. ERROR</i>	O gerador para.	Entre em contacto com a filial do fabricante no seu país (ver verso).
<i>SOFTWARE ERROR</i>	O gerador para.	Entre em contacto com a filial do fabricante no seu país (ver verso).

8.7 Controlar o nível do óleo



PRECAUÇÃO! Perigo de ferimentos

O óleo quente pode provocar queimaduras.
Verifique o nível do óleo apenas com o gerador desligado.



OBSERVAÇÃO

O gerador deve estar na horizontal.

Antes de cada utilização, verifique o nível do óleo. Para esse efeito, proceda do seguinte modo:

- Abra a tampa do gerador.

- Desligue o gerador com o botão principal (fig. 4 1, página 4).
- Separe a conexão do polo positivo da bateria de alimentação.
- Puxe a vareta de medição (fig. 4 2, página 4) do bocal de enchimento (fig. 4 3, página 4).
- Limpe a vareta de medição (fig. 4 2, página 4) com um pano.
- Insira a vareta de medição (fig. 4 2, página 4) totalmente no bocal de enchimento (fig. 4 3, página 4).
- Puxe a vareta de medição (fig. 4 2, página 4) do bocal de enchimento.
- Verifique se o nível do óleo se encontra entre a marca (nível de enchimento máximo) e a ponta da vareta de medição.
Caso tal não se verifique, reabasteça óleo.
- Insira a vareta de medição (fig. 4 2, página 4) totalmente no bocal de enchimento (fig. 4 3, página 4).
- Certifique-se de que o nível do óleo não se encontra acima no nível de enchimento máximo.
- Conete o gerador ao polo positivo da bateria de alimentação.
- Com o botão principal (fig. 4 1, página 4), coloque o gerador em estado operacional.
- Feche a tampa do gerador.

9 Limpar o gerador



NOTA! Perigo de danos

- Nunca limpe o gerador com uma pistola de alta pressão. A penetração de água pode danificar o gerador.
- Não utilize objetos afiados ou duros ou agentes de limpeza para a limpeza, uma vez que podem causar danos no gerador.
- Para a limpeza do gerador, utilize exclusivamente água com um detergente suave. Nunca utilize gasolina, gasóleo ou solventes.

- Caso necessário, limpe o corpo do gerador com um pano húmido.
- Remova com regularidade a sujidade das aberturas de ventilação do gerador. Preste a atenção para não danificar as lâminas de ventilação do gerador durante a limpeza.

10 Manutenção do gerador



OBSERVAÇÃO

Encontra o seu parceiro de serviço Dometic na Internet em: service-location.dometic.com

10.1 Tabela de manutenção



AVISO!

Delegue todos os trabalhos de manutenção a pessoal devidamente especializado que conheça as normas em vigor. Os trabalhos de manutenção inadequados podem provocar perigos graves.



OBSERVAÇÃO

Solicite os seguintes trabalhos de manutenção nos intervalos estipulados ou conforme o número de horas de funcionamento indicadas, consoante o que ocorrer primeiro.

Intervalo	Verificação/manutenção
No primeiro mês ou após 20 horas	<ul style="list-style-type: none"> ➤ Mudar o óleo. ➤ Realizar a manutenção do filtro de ar (capítulo “Conservar o filtro de ar” na página 106).
De 3 em 3 meses ou após 50 horas	<ul style="list-style-type: none"> ➤ Realizar a manutenção do filtro de ar (capítulo “Conservar o filtro de ar” na página 106).
De 6 em 6 meses ou após 100 horas	<ul style="list-style-type: none"> ➤ Mudar o óleo. ➤ Realizar a manutenção da vela (capítulo “Realizar a manutenção da vela” na página 107).
Todos os anos ou após 300 horas	<ul style="list-style-type: none"> ➤ Realizar a manutenção das válvulas. ➤ Conservar o depósito da gasolina e o filtro de combustível. ➤ Realizar a manutenção dos amortecedores de vibrações.
De 2 em 2 anos	<ul style="list-style-type: none"> ➤ Verificar os tubos de abastecimento de gasolina.

10.2 Preparar os trabalhos de manutenção



PRECAUÇÃO! Perigo de ferimentos

Em todos os trabalhos de manutenção tenha atenção:

- O gerador não deve estar em funcionamento.
- Todas as peças devem estar frias.

- Abra a tampa do gerador.
- Desligue o gerador com o botão principal (fig. **2** 1, página 3).
- Separe a conexão do polo positivo da bateria de alimentação.

O gerador pode ser retirado do local de instalação para realizar os trabalhos de manutenção (fig. **5**, página 5):



AVISO! Perigo de ferimentos

A placa de suporte do gerador é bastante pesada (> 70 kg) e pode cair do corpo se for extraída em demasia.

- Solte os parafusos de fixação (**1**).
- Puxe a placa de suporte (**2**) com o gerador para fora do corpo (**3**).

10.3 Concluir os trabalhos de manutenção

- Conete o gerador ao polo positivo da bateria de alimentação.
- Com o botão principal (fig. **4** 1, página 4), coloque o gerador em estado operacional.
- Feche a tampa do gerador.

10.4 Mudar o óleo



PRECAUÇÃO! Perigo de ferimentos

O óleo quente pode provocar queimaduras.



NOTA! Perigo de danos

O óleo usado deve ser obrigatoriamente entregue a empresas especializadas para ser eliminado ou reciclado e as leis relativas à proteção do meio ambiente vigentes no país em causa devem ser respeitadas.

Podem ser utilizados os seguintes óleos:

- Óleo da classe SAE 5W-30 (pode ser utilizado a todas as temperaturas).
- Óleo com viscosidade de um grau.
Selecione a viscosidade adequada em função da temperatura média do local.

O óleo muda-se da seguinte maneira:

- deixe o gerador a trabalhar durante três a cinco minutos para aquecer, para que o óleo fique mais fino, acabando por escoar mais rapidamente e por completo.
- Coloque um recipiente adequado por baixo do bужão de escoamento (fig. **6** 1, página 5).
- Remova a vareta de medição do óleo.
- Remova o bужão de escoamento (fig. **6** 1, página 5).
- ✓ O óleo escoou.
- Coloque óleo limpo no bocal do óleo.
Quantidade de óleo: 1,1 l.
- Insira o bужão.

10.5 Conservar o filtro de ar



AVISO! Perigo de explosão!

Para limpar o filtro de ar, nunca utilize gasóleo ou solventes com um baixo ponto de evaporação. Estes podem inflamar e explodir.



NOTA! Perigo de danos

Nunca deixe o motor a trabalhar sem o filtro de ar. Caso contrário, o motor fica sujeito a um desgaste prematuro.



OBSERVAÇÃO

Quando o filtro de ar está sujo, o fluxo de ar para o carburador diminui. Para que o carburador funcione bem, é necessário controlar regularmente o estado do filtro. Se o gerador for utilizado num ambiente especialmente poluído, torna-se necessário controlar o estado do filtro com mais frequência.

- Prepare os trabalhos de manutenção e puxe o gerador um pouco para fora do corpo: ver capítulo “Preparar os trabalhos de manutenção” na página 104.
- Remova os parafusos (fig. **7** 1, página 6) e a tampa do filtro (fig. **7** 2, página 6).
- Remova o parafuso (fig. **7** 3, página 6).
- Remova o filtro de ar (fig. **7** 4, página 6).
O filtro de ar é composto por dois elementos: um filtro de esponja e um filtro de papel.
- Verifique minuciosamente o estado dos dois elementos do filtro. Substitua os elementos do filtro danificados.
- Limpe os elementos do filtro que não estão danificados: consulte as seguintes secções.
- Coloque o filtro.
- Instale o parafuso novamente.
- Coloque a tampa do filtro.
- Finalize os trabalhos de manutenção: ver capítulo “Concluir os trabalhos de manutenção” na página 104.

Limpar o filtro de esponja

- Lave o filtro de esponja com um detergente neutro e enxugue-o bem.
- Deixe a esponja secar por completo.
- Impregne a esponja com óleo de motor limpo.
- Esprema o excesso de óleo.

Limpar o filtro de papel

- Liberte a sujidade, batendo o papel repetidamente e com suavidade contra uma superfície dura ou sobre ar comprimido de dentro para fora.
Não escove o papel, isso levaria a que a sujidade se entranhasse nas fibras do filtro de papel.
- Substitua o filtro de papel se este estiver bastante sujo.

10.6 Realizar a manutenção da vela



NOTA! Perigo de danos

- Aperte a vela cuidadosamente. Quando a vela não está bem apertada pode aquecer em demasia e causar danos no motor.
- Utilize exclusivamente velas equivalentes.
- Ao colocar uma nova vela, aperte-a meia volta quando esta estiver posicionada firmemente sobre a arruela. No caso de velas já utilizadas, basta um 1/4 ou 1/8 de volta.

- Prepare os trabalhos de manutenção: ver capítulo “Preparar os trabalhos de manutenção” na página 104.
- Retire o cachimbo da vela.
- Remova a vela com uma chave de velas.
- Controle visualmente a vela.
Se a vela apresentar sinal óbvios de desgaste ou o isolador estiver danificado ou quebrado, substitua a vela.
Se a vela apenas estiver suja, limpe-a com uma escova em aço.
- Messa a distância entre os elétrodos com um medidor de espessura (fig. 8, página 6). A distância deve ser de 0,7 - 0,8 mm e pode, se necessário, ser corrigida dobrando o elétrodo.
- Verifique se a junta da vela está intata.

- Enrosque a vela manualmente para evitar que a rosca fique danificada.
- Aperte a vela com uma chave de velas de modo a pressionar a arruela.
- Finalize os trabalhos de manutenção: ver capítulo “Concluir os trabalhos de manutenção” na página 104.

11 Eliminar falhas

Falha	Causa	Eliminação
O painel de comando não acende quando o botão para ligar/desligar é pressionado.	Bateria de arranque descarregada.	➤ Carregue a bateria de arranque.
	Fusível (se disponível) disparou.	➤ Entre em contacto com uma oficina qualificada devidamente autorizada.
Ao pressionar o botão de arranque, o motor de arranque não trabalha.	Bateria de arranque descarregada.	➤ Carregue a bateria de arranque.
	O botão principal está em “0”.	➤ Coloque o interruptor principal em “1” ou “1”.
	Placa de circuito impresso danificada.	➤ Entre em contacto com uma oficina qualificada devidamente autorizada.
O motor de arranque não recebe corrente.		
O motor de arranque trabalha, mas o gerador não arranca.	Falta de gasolina.	➤ Abasteça gasolina.
	Óleo em excesso no motor.	➤ Escoa óleo.
	A vela não recebe corrente.	➤ Verifique as ligações elétricas.
	A gasolina não chega ao carburador.	➤ Limpe o carburador.
	Aspiração de ar obstruída.	➤ Verifique o filtro de ar (ver capítulo “Conservar o filtro de ar” na página 106).
Inversor danificado.	➤ Entre em contacto com uma oficina qualificada devidamente autorizada.	

Falha	Causa	Eliminação
O gerador tende a ir abaixo.	Óleo em excesso no motor.	➤ Escoa óleo.
	Carga superior a 6,2 kW.	➤ Desconete os consumidores.
	A gasolina não chega ao carburador.	➤ Limpe o carburador.
	Aspiração de ar obstruída.	➤ Verifique o filtro de ar (ver capítulo "Conservar o filtro de ar" na página 106).
	Inversor danificado.	➤ Entre em contacto com uma oficina qualificada devidamente autorizada.
	Eletroíman (motor de arranque) danificado.	
	Filtro de ar sujo.	➤ Verifique o filtro de ar (ver capítulo "Conservar o filtro de ar" na página 106).
O gerador arranhou mas não gera tensão.	O filtro de combustível está sujo.	➤ Substituir o filtro de combustível.
	Inversor danificado.	➤ Verifique as ligações elétricas.
O gerador arranca com uma forte aceleração mas depois para com a mensagem "GENERATOR ALERT".	A velocidade de rotação é demasiado baixa.	➤ Entre em contacto com uma oficina qualificada devidamente autorizada.
	Motor passo a passo danificado.	➤ Entre em contacto com uma oficina qualificada devidamente autorizada.
A tensão gerada é instável.	Inversor danificado.	➤ Entre em contacto com uma oficina qualificada devidamente autorizada.

12 Garantia

É válido o prazo de garantia legal. Se o produto estiver com defeito, por favor, dirija-se à assistência técnica do seu país (ver verso).

Os nossos técnicos têm todo o gosto em ajudá-lo e aconselhá-lo durante o processo dos direitos de garantia.

13 Eliminação

- Sempre que possível, coloque o material de embalagem no respectivo contentor de reciclagem.



Para colocar o aparelho definitivamente fora de funcionamento, por favor, informe-se junto do centro de reciclagem mais próximo ou revendedor sobre as disposições de eliminação aplicáveis.




Proteja o meio ambiente!

As baterias e pilhas não devem ser eliminadas em conjunto com o lixo doméstico.

Entregue as baterias e pilhas danificadas ou gastas no ponto de compra ou num pilhão.

14 Dados técnicos

	TEC60EV
N.º art.:	9102900303
Tensão de saída nominal:	230 V~ / 50 Hz
Potência contínua máxima (a 25 °C ao nível do mar):	6200 W
Tensão de saída do carregador de baterias:	12 V===
Corrente de saída máx. do carregador de baterias:	30 A
Intervalo de temperatura de funcionamento:	-15 °C a +50 °C
Distorção harmónica total:	<3 %
Combustível:	Gasolina normal ROZ 91
Consumo:	máx. 3,7 l/h
Potência do motor:	6,6 kW (8,9 PS)
Rotação máx.:	3600 min ⁻¹
Óleo do motor:	1,1 l
Valor de CO ₂ :	743 g/kW-hr
Nível acústico:	91 dB(A)
Nível acústico a uma distância de 7 m:	66 dB(A)
Dimensões:	ver fig. 9 , página 7
Peso:	110 kg
Verificação/certificado:	

Esta medição de CO₂ resulta de um teste de um motor (original) representativo do tipo de motor (gama de motores) durante um ciclo de teste fixo, sob condições de laboratório, e não deverá implicar ou representar qualquer garantia do desempenho de um motor em particular

Prima di effettuare la messa in funzione, leggere accuratamente questo manuale di istruzioni, conservarlo e, nel caso in cui il prodotto venga consegnato ad un altro utente, consegnare anche le relative istruzioni.

Indice

1	Spiegazione dei simboli	112
2	Istruzioni per la sicurezza	113
3	Destinatari del presente manuale di istruzioni	115
4	Dotazione	115
5	Accessori	116
6	Conformità d'uso	116
7	Descrizione tecnica.	116
8	Impiego del generatore	118
9	Pulizia del generatore	124
10	Manutenzione del generatore	124
11	Risoluzione dei guasti	129
12	Garanzia	131
13	Smaltimento	131
14	Specifiche tecniche.	132

1 Spiegazione dei simboli



AVVERTENZA!

Indicazione di sicurezza che segnala una situazione di pericolo che se non evitata può provocare morte o gravi lesioni.



ATTENZIONE!

Indicazione di sicurezza che segnala una situazione di pericolo che se non evitata può provocare lesioni lievi o di gravità media.

**AVVISO!**

Indicazione di una situazione che se non evitata può provocare danni materiali.

**NOTA**

Informazioni integranti relative all'impiego del prodotto.

2 Istruzioni per la sicurezza

Osservare le indicazioni di sicurezza e le direttive previste dal produttore del veicolo e dagli specialisti del settore!

Il produttore non si assume nessuna responsabilità per danni nei seguenti casi:

- danni al prodotto dovuti a influenze meccaniche o a un'errata tensione di allacciamento
- modifiche al prodotto senza esplicita autorizzazione del produttore
- impiego per altri fini rispetto a quelli descritti nel manuale di istruzioni

Non si assume nessuna responsabilità per danni indiretti in particolare anche per quei danni indiretti derivanti da un mancato funzionamento del generatore.

Durante l'uso di dispositivi elettrici attenersi alle misure di sicurezza descritte qui di seguito per proteggersi da:

- scosse elettriche
- pericolo di incendio
- lesioni

2.1 Sicurezza di base



AVVERTENZA! La mancata osservanza di queste avvertenze potrebbe causare la morte o lesioni gravi.

Pericolo per la salute

- Utilizzare l'apparecchio soltanto in conformità all'uso previsto.
- Non eseguire modifiche o trasformazioni all'apparecchio!

- I lavori di installazione, manutenzione e riparazione del generatore devono essere effettuati solo da personale qualificato informato sui pericoli connessi all'uso dei generatori e a conoscenza delle relative prescrizioni. Le riparazioni effettuate in modo scorretto potrebbero causare rischi enormi. In caso di riparazioni rivolgersi alla filiale del produttore nel vostro Paese (vedi retro).
- Persone (bambini compresi) che a causa delle proprie capacità fisiche, sensoriali o mentali, oppure che a causa della propria inesperienza e scarsa conoscenza non siano in grado di utilizzare il dispositivo in modo sicuro, devono evitare di utilizzarlo se non in presenza e seguendo le istruzioni di una persona per loro responsabile.

Rischio di asfissia

- I gas di scarico contengono monossido di carbonio, un gas inodore e incolore altamente tossico. Non respirare i gas di scarico. Non far funzionare il motore del generatore in un garage chiuso o in un ambiente senza finestre.

Scossa elettrica

• Gli elettrodomestici non sono giocattoli!

I bambini non sono in grado di valutare correttamente i pericoli connessi con gli apparecchi elettrici. Non permettere l'uso di apparecchi elettrici ai bambini se non in presenza di adulti.



ATTENZIONE! La mancata osservanza di queste precauzioni potrebbe causare lesioni lievi o moderate.

Pericolo per la salute

- Il generatore deve essere impiegato solo con sportello chiuso.

Pericolo di incendio

- Rimuovere tutti i materiali facilmente infiammabili quali benzina, vernici, solventi ecc. che si trovano nelle vicinanze del generatore.
- Assicurarci che nessun pezzo del generatore che diventa caldo venga a contatto con materiali facilmente infiammabili.
- Rifornire il generatore solo se è spento e si trova in un ambiente ben aerato. La benzina e il gas liquido sono altamente infiammabili e possono esplodere.
- Non rifornire il generatore con motore del veicolo acceso se il serbatoio si trova nelle vicinanze del generatore.
- Se viene versata benzina, pulire bene e attendere prima di accendere il motore finché i vapori si siano dispersi.

Scossa elettrica

- Non toccare il generatore e i cavi con mani umide.
- Sostituire i fusibili o l'interruttore termico solo con altri con le stesse specifiche tecniche.
- Azionare l'apparecchio solamente se l'alloggiamento e i cavi non sono danneggiati.

**AVVISO! Pericolo di danni**

- Non riempire troppo il serbatoio di benzina. Nel collo del serbatoio non deve trovarsi benzina. Controllare se il coperchio è chiuso correttamente.
- Se devono essere eseguiti lavori di saldatura sul veicolo, scollegare tutti i cavi verso il generatore altrimenti può danneggiarsi l'elettronica.

2.2 Sicurezza durante il funzionamento dell'apparecchio**AVVERTENZA! La mancata osservanza di queste avvertenze potrebbe causare la morte o lesioni gravi.****Scossa elettrica**

- Interrompere sempre l'alimentazione elettrica qualora si operi sull'apparecchio.

3 Destinatari del presente manuale di istruzioni

Le presenti istruzioni per l'uso si rivolgono agli utenti del generatore.

4 Dotazione**Denominazione**

Generatore TEC60EV

Relè di commutazione per la creazione di un circuito di priorità

Pannello di controllo

Silenziatore

Tubazione di scarico

Denominazione

Materiale di fissaggio per il silenziatore

Cavo di allacciamento

Materiale di fissaggio

Istruzioni di montaggio

Manuale di istruzioni

5 Accessori

Disponibili come accessori (non in dotazione):

Denominazione pezzi	Numero articolo
PR 250133, mastice esterno	9600025375

6 Conformità d'uso

Il generatore TEC 60EV è ideato per l'impiego in caravan, camper e in veicoli per uso commerciale.

Il generatore **non** è adatto per l'installazione in natanti.

Il generatore produce una pura tensione alternata sinusoidale di 230 V/50 Hz alla quale possono essere collegate utenze con un carico di durata complessiva di 6200 W.

La qualità della corrente è adatta anche per utenze sensibili (ad es. PC).

Il generatore può caricare una batteria da 12 V.

7 Descrizione tecnica

Il generatore è costituito dai seguenti elementi principali (fig. **1**, pagina 3):

- generatore di corrente con magnete permanente (**1**)
- Motore a combustione (**2**)
- Scatola di collegamento (**3**)
- Inverter (**4**)
- Pannello di controllo (**5**)

Il motore a combustione **(2)** mette in movimento il generatore di corrente **(1)** ad esso collegato in modo fisso che a sua volta produce tensione alternata.

L'inverter interno **(4)** trasforma questa tensione alternata in una tensione stabile di 230 V e 50 Hz.

Alla scatola di collegamento **(3)** dietro la porta sono applicati i morsetti e l'interruttore principale.

Il comando avviene mediante un pannello di controllo **(5)**.

Il generatore possiede un caricabatterie integrato che serve a caricare la batteria collegata.

Elementi di comando sul generatore

La scatola di collegamento del generatore si trova dietro il coperchio.

Pos. in fig. 2 , pagina 3	Descrizione	
1	Interruttore principale	Accende il generatore nella modalità stand-by o lo spegne.
2	Fusibile termico	Scatta in caso di surriscaldamento dell'inverter (vedi capitolo "Messaggi sul display" a pagina 120)

Elementi di comando sul pannello di controllo

Il pannello di controllo è applicato nell'abitacolo del veicolo.

Pos. in fig. 3 , pagina 4	Descrizione	
1	Display	Indica i messaggi di stato.
2	Interruttore On/Off "⏻"?	Accende e spegne il pannello di controllo se l'interruttore principale è posizionato su "I" o "1". Arresta il generatore in caso di emergenza.
3	Pulsante grigio "START/STOP"	Avvia/arresta il generatore se il pannello di controllo è acceso e l'interruttore principale è posizionato su "I" o "1".

Pos. in fig. 3, pagina 4	Descrizione	
4	Indicazione della benzina	È accesa se la benzina è in riserva.
5	Indicazione dell'olio	È accesa se il livello dell'olio nel motore è basso.

Indicazioni del display

Pos. in fig. 3, pagina 4	Descrizione	
6	Tensione alternata	Tensione di uscita attuale
7	Potenza continua	Potenza attuale delle utenze collegate
8	Ore di esercizio	Tempo in cui il generatore è in esercizio
9	Tensione continua	Tensione di carica della batteria
10	Messaggi	Per il messaggio di stato del generatore (vedi capitolo "Messaggi sul display" a pagina 120)

8 Impiego del generatore



AVVISO! Pericolo di danni

Nelle prime 50 ore di esercizio (fase di rodaggio), non sollecitare il generatore oltre il 70 % della potenza continua massima.



NOTA

In questo modo è possibile prolungare la durata utile del generatore e ottimizzarne la potenza:

Terminata la fase di rodaggio, sollecitare il generatore al massimo con un carico di ca. il 75 % della massima potenza continua.

8.1 Indicazioni fondamentali per l'impiego



ATTENZIONE! Rischio di lesioni!

Non inserire le dita o eventuali oggetti nelle bocchette dell'aria o nella griglia di aspirazione.

Osservare le seguenti indicazioni fondamentali.

- Prima di ogni utilizzo controllare il livello dell'olio (capitolo "Controllo del livello dell'olio" a pagina 123).
- Anche sovraccarichi modesti col passare del tempo causano l'arresto del generatore.
- Dopo l'uso, lasciare il generatore in esercizio alcuni minuti senza utenza prima di arrestarlo.
- Frenate brusche, accelerazioni e curve del veicolo possono provocare problemi nel sistema di pompaggio del generatore e uno spegnimento indesiderato.
- Se il generatore non viene utilizzato per un periodo prolungato, avviarlo almeno ogni 30 giorni e farlo funzionare almeno per 15 minuti.

8.2 Accensione nella modalità stand-by o spegnimento del generatore

Con l'interruttore principale (fig. **2** 1, pagina 3) posto sulla scatola di collegamento il generatore viene acceso nella modalità stand-by o viene spento.

8.3 Accensione e spegnimento del pannello di controllo

Con l'interruttore On/Off (fig. **3** 2, pagina 4) del pannello di controllo, quest'ultimo viene acceso e spento.

➤ Accendere il pannello di controllo con l'interruttore On/Off.

✓ Il display indica: *GEM OFF*.

Il display si spegne automaticamente dopo 5 min. se in questo lasso di tempo il pulsante di avviamento non è stato premuto.

Se si preme il pulsante di avviamento il display si accende di nuovo.

✓ Il generatore ora può essere avviato.

8.4 Avvio del generatore

È possibile avviare il generatore solo se è attivato nella modalità stand-by e se il pannello di controllo è acceso.

➤ Avviare il generatore con il pulsante grigio "START/STOP" (fig. **3** 3, pagina 4).

8.5 Arresto del generatore

- Arrestare il generatore con il pulsante grigio “START/STOP” (fig. **3** 3, pagina 4).
- ✓ L'inverter si spegne immediatamente. Il generatore continua a funzionare per 30 secondi, raffreddando il generatore, dopodiché si arresta.



AVVISO! Pericolo di danni

Per evitare di danneggiare il motore, arrestare sempre il generatore con il pulsante grigio “START/STOP”.

Spegnere il generatore mediante l'interruttore principale solamente in caso di emergenza.

8.6 Messaggi sul display

Messaggio sul display Descrizione	Comportamento del generatore	Misure
LOW BATTERY La tensione della batteria è scesa al di sotto del valore minimo per l'esecuzione dei tentativi di avviamento (9 V).	Il generatore non si avvia.	Caricare la batteria.
CHECK OIL LEVEL	Il generatore continua a funzionare.	Rabboccare l'olio (vedi capitolo “Controllo del livello dell'olio” a pagina 123).
OIL CHANGE Il numero delle ore di esercizio ha raggiunto il valore prescritto per il cambio dell'olio motore.	Il generatore continua a funzionare.	Eseguire il cambio dell'olio (vedi capitolo “Cambio dell'olio” a pagina 126), confermare quindi il messaggio tenendo premuto il pulsante “START/STOP”. Avviare nuovamente il generatore continuando a tenere premuto il pulsante “START/STOP”.
NO FUEL La benzina nel serbatoio è in riserva.	Il generatore continua a funzionare.	Fare rifornimento.
OIL ALERT Manca olio motore.	Il generatore si arresta.	Per rabboccare l'olio (vedi capitolo “Controllo del livello dell'olio” a pagina 123).

Messaggio sul display Descrizione	Comportamento del generatore	Misure
<i>GENERATOR ALERT!</i> Messaggio di allarme generale Esempio: l'anello di controllo della valvola a farfalla a monte del carburatore (motore passo-passo) è guasto.	Il generatore si arresta.	Verificare il sistema con l'ausilio della tabella Disturbi, Cause e Rimedi. Se il problema persiste, rivolgersi alla filiale del produttore del proprio Paese (vedi retro).
<i>OVERLOAD!</i> Le utenze generano un sovraccarico sull'uscita.	L'inverter si spegne, di conseguenza non viene più ceduta tensione, ma il motore continua a funzionare finché non si spegne.	Ridurre il carico collegato e riavviare il generatore.
<i>SHORT CIRCUIT</i> Le utenze creano un cortocircuito sull'uscita.	L'inverter si spegne, di conseguenza non viene più ceduta tensione, ma il motore continua a girare finché non si spegne.	Controllare lo stato delle utenze collegate, quindi riavviare il generatore.
<i>OVER TEMPERATURE</i> Surriscaldamento	L'inverter si spegne, di conseguenza non viene più ceduta tensione, ma il motore continua a girare per raffreddare il generatore.	Fare raffreddare il generatore, attendere qualche minuto, quindi riavviare il generatore.
<i>LOW POWER ENGINE</i> Diminuzione della tensione di alimentazione dell'inverter.	Il generatore si arresta.	Ridurre il carico collegato e riavviare il generatore.
<i>OVERSPEED</i> Numero di giri eccessivo	Il generatore si arresta.	Avviare nuovamente il generatore. Se il problema persiste, rivolgersi alla filiale del produttore del proprio Paese (vedi retro).
<i>START FAILED</i> Esempio: assenza di benzina, temperature fredde, candela difettosa, filtro dell'aria sporco	Il generatore è spento.	Avviare nuovamente il generatore.
<i>GEN CAL</i> Messaggio che appare all'avvio del generatore; indica la fase di calibratura che precede ogni avvio. Il generatore non cede ancora tensione.	Il generatore gira, ma non genera tensione.	Attendere un momento.

Messaggio sul display Descrizione	Comportamento del generatore	Misure
<i>GEN WAIT</i> Messaggio che appare nella pausa fra un tentativo di avvio e l'altro.	Il generatore è spento.	Attendere, finché il messaggio è scomparso, quindi eseguire un nuovo tentativo di accensione.
<i>GEN ON</i> Funzionamento normale del generatore.	Funzionamento normale	–
<i>GEN OFF</i>	Il generatore è fermo e può essere avviato	–
<i>GEN STOP</i>	Il generatore è fermo.	Attendere un momento.
<i>WAIT COOLING</i>	Il motore è in funzione ma senza carico per consentire il raffreddamento dell'impianto.	Attendere un momento.
<i>INVERTER LOST COMM</i>	Il generatore si arresta.	Verificare il sistema con l'ausilio della tabella Disturbi, Cause e Rimedi. Se il problema persiste, rivolgersi alla filiale del produttore del proprio Paese (vedi retro).
<i>ENGINE LOST COMM</i>	Il generatore si arresta.	Verificare il sistema con l'ausilio della tabella Disturbi, Cause e Rimedi. Se il problema persiste, rivolgersi alla filiale del produttore del proprio Paese (vedi retro).
<i>INVERTER FAILED</i>	Il generatore si arresta.	Rivolgersi alla filiale del produttore nel proprio Paese (vedi retro).
<i>ENG. PARAM. ERROR</i>	Il generatore si arresta.	Rivolgersi alla filiale del produttore nel proprio Paese (vedi retro).
<i>INV. PARAM. ERROR</i>	Il generatore si arresta.	Rivolgersi alla filiale del produttore nel proprio Paese (vedi retro).
<i>SOFTWARE ERROR</i>	Il generatore si arresta.	Rivolgersi alla filiale del produttore nel proprio Paese (vedi retro).

8.7 Controllo del livello dell'olio



ATTENZIONE! Rischio di lesioni

L'olio caldo può causare ustioni.
Controllare il livello dell'olio solo a generatore spento.



NOTA

Il generatore deve essere in posizione orizzontale.

Prima di ogni impiego, controllare il livello dell'olio. A tal fine procedere come segue:

- ▶ Aprire lo sportello del generatore.
- ▶ Rendere inattivo il generatore mediante l'interruttore principale (fig. **4** 1, pagina 4).
- ▶ Staccare il collegamento del polo positivo della batteria di alimentazione.
- ▶ Estrarre l'asta di livello (fig. **4** 2, pagina 4) dal bocchettone di riempimento (fig. **4** 3, pagina 4).
- ▶ Pulire l'asta di livello (fig. **4** 2, pagina 4) con un panno.
- ▶ Inserire l'asta di livello (fig. **4** 2, pagina 4) completamente nel bocchettone di riempimento (fig. **4** 3, pagina 4).
- ▶ Estrarre l'asta di livello (fig. **4** 2, pagina 4) dal bocchettone di riempimento.
- ▶ Controllare se il livello dell'olio si trova fra la tacca (livello di riempimento massimo) e la punta dell'asta di livello.
In caso contrario, rabboccare l'olio.
- ▶ Inserire completamente l'asta di livello (fig. **4** 2, pagina 4) nel bocchettone di riempimento (fig. **4** 3, pagina 4).
- ▶ Controllare che il livello dell'olio non si trovi oltre il livello di riempimento massimo.
- ▶ Collegare il generatore al polo positivo della batteria di alimentazione.
- ▶ Accendere il generatore nella modalità stand-by con l'interruttore principale (fig. **4** 1, pagina 4).
- ▶ Chiudere lo sportello del generatore.

9 Pulizia del generatore



AVVISO! Pericolo di danni

- Non pulire il generatore con un'idropulitrice. Infiltrazioni di acqua possono danneggiare il generatore.
- Per la pulizia non utilizzare oggetti appuntiti, duri o detersivi aggressivi, poiché possono danneggiare il generatore.
- Per la pulizia del generatore, utilizzare solo acqua con un detersivo delicato. Non utilizzare in nessun caso benzina, diesel o solventi.

- ▶ Pulire l'alloggiamento del generatore di tanto in tanto con un panno umido.
- ▶ Rimuovere regolarmente la sporcizia dalle aperture di aerazione del generatore. Durante questa operazione, prestare attenzione a non danneggiare le lamelle del generatore.

10 Manutenzione del generatore



NOTA

In internet trovate il servizio di assistenza Dometic più vicino:
service-location.dometic.com

10.1 Tabella di manutenzione



AVVERTENZA!

Fare eseguire tutti i lavori di manutenzione da personale specializzato, informato sulle relative prescrizioni. I lavori di manutenzione non eseguiti correttamente possono causare enormi rischi.



NOTA

Fare eseguire i seguenti lavori di manutenzione negli intervalli indicati o dopo il numero indicato di ore di servizio a seconda del caso che si presenta prima.

Intervallo	Controllo/manutenzione
Nel primo mese oppure dopo 20 ore	<ul style="list-style-type: none"> ➤ Fare cambiare l'olio. ➤ Sottoporre il filtro dell'aria a manutenzione (capitolo "Manutenzione del filtro dell'aria" a pagina 127).
Ogni 3 mesi oppure dopo 50 ore	<ul style="list-style-type: none"> ➤ Sottoporre il filtro dell'aria a manutenzione (capitolo "Manutenzione del filtro dell'aria" a pagina 127).
Ogni 6 mesi oppure dopo 100 ore	<ul style="list-style-type: none"> ➤ Fare cambiare l'olio. ➤ Sottoporre la candela a manutenzione (capitolo "Manutenzione della candela" a pagina 128).
Annualmente o ogni 300 ore	<ul style="list-style-type: none"> ➤ Sottoporre le valvole a manutenzione. ➤ Sottoporre il serbatoio della benzina e il filtro del carburante a manutenzione. ➤ Sottoporre l'ammortizzatore di vibrazioni a manutenzione.
Ogni 2 anni	<ul style="list-style-type: none"> ➤ Sottoporre i tubi della benzina a manutenzione.

10.2 Predisposizione dei lavori di manutenzione



ATTENZIONE! Rischio di lesioni

Durante lo svolgimento di tutti i lavori di manutenzione osservare quanto segue:

- il generatore non deve essere in funzione.
- Tutti i pezzi devono essere raffreddati.

- Aprire lo sportello del generatore.
- Rendere inattivo il generatore mediante l'interruttore principale (fig. **2** 1, pagina 3).
- Staccare il collegamento del polo positivo della batteria di alimentazione.

Per i lavori di manutenzione è possibile estrarre il generatore (fig. **5**, pagina 5):



AVVERTENZA! Rischio di lesioni

La piastra di supporto con il generatore è molto pesante (> 70 kg) e può cadere dall'alloggiamento se viene estratta troppo.

- Allentare le viti di fissaggio (**1**).
- Estrarre la piastra di supporto (**2**) con il generatore dall'alloggiamento (**3**).

10.3 Conclusione dei lavori di manutenzione

- ▶ Collegare il generatore al polo positivo delle batteria di alimentazione.
- ▶ Accendere il generatore nella modalità stand-by con l'interruttore principale (fig. **4** 1, pagina 4).
- ▶ Chiudere lo sportello del generatore.

10.4 Cambio dell'olio

**ATTENZIONE! Rischio di lesioni**

L'olio caldo può causare ustioni.

**AVVISO! Pericolo di danni**

Per la salvaguardia dell'ambiente, consegnare sempre l'olio usato a ditte specializzate nello smaltimento o il recupero e osservare le leggi del Paese interessato.

È possibile impiegare i seguenti oli:

- Olio della classe SAE 5W-30 (possibilità di utilizzo a qualsiasi temperatura).
- Olio a gradazione di viscosità singola.
Scegliere la viscosità adatta in base alla temperatura locale media.

Cambiare l'olio nel modo seguente:

- ▶ fare riscaldare il motore dai tre ai cinque minuti in modo che l'olio diventi più fluido e defluisca più rapidamente e completamente.
- ▶ Mettere un contenitore adatto sotto la vite di scarico (fig. **6** 1, pagina 5).
- ▶ Rimuovere l'asta di misurazione dell'olio
- ▶ Rimuovere la vite di scarico (fig. **6** 1, pagina 5).
- ✓ L'olio defluisce.
- ▶ Aggiungere olio pulito nel rispettivo bocchettone.
La quantità di olio è: 1,1 l.
- ▶ Inserire il tappo di scarico.

10.5 Manutenzione del filtro dell'aria



AVVERTENZA! Pericolo di esplosione!

Per la pulizia del filtro dell'aria, non impiegare gasolio o solventi con un punto di evaporazione basso. Queste sostanze possono infiammarsi o esplodere.



AVVISO! Pericolo di danni

Non fare mai funzionare il motore senza filtro dell'aria, altrimenti il motore si usura rapidamente.



NOTA

Se il filtro dell'aria è sporco, il flusso d'aria verso il carburatore viene ridotto. Per un buon funzionamento del carburatore, è necessario controllare regolarmente lo stato del filtro. Controllarlo più spesso quando il generatore viene impiegato in un ambiente particolarmente polveroso.

- Predisporre i lavori di manutenzione e tirare fuori leggermente il generatore dall'alloggiamento: vedi capitolo "Predisposizione dei lavori di manutenzione" a pagina 125.
- Rimuovere le viti (fig. **7** 1, pagina 6) e la copertura del filtro (fig. **7** 2, pagina 6).
- Rimuovere la vite (fig. **7** 3, pagina 6).
- Rimuovere il filtro dell'aria (fig. **7** 4, pagina 6).
Il filtro dell'aria è costituito da due elementi: un filtro di spugna e un filtro di carta
- Controllare accuratamente lo stato di entrambi gli elementi del filtro. Sostituire gli elementi del filtro danneggiati.
- Per pulire gli elementi del filtro danneggiati: vedi i seguenti paragrafi.
- Inserire il filtro.
- Installare nuovamente la vite.
- Applicare il coperchio del filtro.
- Per concludere i lavori di manutenzione vedi capitolo "Conclusione dei lavori di manutenzione" a pagina 126.

Pulizia del filtro di spugna

- Lavare la spugna con una soluzione detergente neutra e sciacquarla accuratamente.
- Lasciare asciugare la spugna completamente.
- Impregnare la spugna con olio motore pulito.
- Espellere l'olio in eccedenza.

Pulizia del filtro di carta

- Liberare la carta dalle impurità con ripetuti colpi su una superficie rigida o soffiare il filtro dall'interno verso l'esterno con aria compressa.
Non pulire la carta con una spazzola perché in questo modo la sporcizia peneterebbe nelle fibre del filtro di carta.
- Cambiare il filtro di carta in caso di sporco ostinato.

10.6 Manutenzione della candela



AVVISO! Pericolo di danni

- Serrare bene la candela. Una candela non serrata correttamente può diventare molto calda e provocare danni al motore.
- Impiegare esclusivamente candele equivalenti.
- Se viene impiegata una candela nuova, serrarla di un 1/2 giro se poggia in modo fisso sulla rosetta di guarnizione. Se si utilizzano candele usate è sufficiente un 1/8 o 1/4 di giro.

- Per predisporre i lavori di manutenzione vedi capitolo "Predisposizione dei lavori di manutenzione" a pagina 125.
- Estrarre la spina della candela.
- Estrarre la candela con una chiave apposita.
- Verificare la candela con un controllo visivo.
Se la candela è visibilmente usurata o l'isolatore danneggiato o incrinato, sostituire la candela.
Se la candela è solo sporca, pulirla con una spazzola in acciaio.
- Misurare la distanza fra gli elettrodi con uno spessore (fig. **8**, pagina 6). La distanza deve essere 0,7 – 0,8 mm e all'occorrenza può essere corretta piegando gli elettrodi.

- Verificare che la guarnizione della candela sia intatta.
- Avvitare la candela a mano per evitare di danneggiare la filettatura.
- Serrare la candela con una chiave apposita in modo da comprimere la rondella.
- Per concludere i lavori di manutenzione vedi capitolo "Conclusione dei lavori di manutenzione" a pagina 126.

11 Risoluzione dei guasti

Guasto	Causa	Soluzione
Premendo l'interruttore On/Off il pannello di controllo non si accende.	Batteria di avviamento scarica.	➤ Caricare la batteria di avviamento.
	Il fusibile (se presente) è scattato.	➤ Rivolgersi a un'officina specializzata e autorizzata.
Premendo il pulsante di avviamento, il motorino di avviamento non gira.	Batteria di avviamento scarica.	➤ Caricare la batteria di avviamento.
	L'interruttore principale si trova su "0".	➤ Posizionare l'interruttore principale su "1" o "1".
	Scheda danneggiata. Motorino d'avviamento non alimentato con corrente.	➤ Rivolgersi a un'officina specializzata e autorizzata.
Il motorino d'avviamento gira, ma il generatore non si avvia.	Manca la benzina.	➤ Rabboccare la benzina.
	Quantità eccessiva di olio nel motore.	➤ Scaricare l'olio.
	La candela non riceve corrente.	➤ Controllare i collegamenti elettrici.
	Il carburatore non riceve benzina.	➤ Pulire il carburatore.
	Aspirazione dell'aria ostruita.	➤ Per controllare il filtro dell'aria (vedi capitolo "Manutenzione del filtro dell'aria" a pagina 127).
	Inverter danneggiato.	➤ Rivolgersi a un'officina specializzata e autorizzata.

Guasto	Causa	Soluzione
Il generatore tende a spegnersi.	Quantità eccessiva di olio nel motore.	➤ Scaricare l'olio.
	Carico sopra i 6,2 kW.	➤ Spegnerne l'utenza.
	Il carburatore non riceve benzina.	➤ Pulire il carburatore.
	Aspirazione dell'aria ostruita.	➤ Per controllare il filtro dell'aria (vedi capitolo "Manutenzione del filtro dell'aria" a pagina 127).
	Inverter danneggiato.	➤ Rivolgersi a un'officina specializzata e autorizzata.
	Elettromagnete (motorino di avviamento) bloccato.	
	Filtro dell'aria intasato.	➤ Per controllare il filtro dell'aria (vedi capitolo "Manutenzione del filtro dell'aria" a pagina 127).
	Il filtro del carburante è sporco.	➤ Sostituire il filtro del carburante.
Il generatore si è avviato, ma non genera tensione.	Inverter danneggiato.	➤ Controllare i collegamenti elettrici.
	Numero di giri troppo bassi.	➤ Rivolgersi a un'officina specializzata e autorizzata.
Il generatore si avvia con una forte accelerata e poi si ferma con il messaggio "GENERATOR ALERT".	Motore passo-passo difettoso	➤ Rivolgersi a un'officina specializzata e autorizzata.
La tensione generata è instabile.	Inverter danneggiato.	➤ Rivolgersi a un'officina specializzata e autorizzata.

12 Garanzia

Vale il termine di garanzia previsto dalla legge. Qualora il prodotto risultasse difettoso, La preghiamo di contattare il Service Partner del Suo Paese (vedi retro).

I nostri specialisti sono sempre pronti ad aiutarvi e a concordare con Voi l'ulteriore disbrigo delle condizioni garanzia.

13 Smaltimento

- Raccogliere il materiale di imballaggio possibilmente negli appositi contenitori di riciclaggio.



Quando il prodotto viene messo fuori servizio definitivamente, informarsi al centro di riciclaggio più vicino, oppure presso il proprio rivenditore specializzato, sulle prescrizioni adeguate concernenti lo smaltimento.





Protegete l'ambiente!

Gli accumulatori e le batterie non devono essere raccolti insieme ai rifiuti domestici.

Consegnare gli accumulatori difettosi o le batterie usate al rivenditore o presso un centro di raccolta.

14 Specifiche tecniche

	TEC60EV
N. art.:	9102900303
Tensione nominale in uscita:	230 V~ / 50 Hz
Potenza continua max (a 25 °C sul livello del mare):	6200 W
Tensione di uscita del caricatore per batterie:	12 V===
Corrente di uscita max del caricatore per batterie:	30 A
Intervallo di variazione della temperatura di esercizio:	da -15 °C a +50 °C
Distorsione armonica totale:	<3 %
Carburante:	Benzina normale ROZ 91
Consumo:	max 3,7 l/h
Potenza motore:	6,6 kW (8,9 PS)
Numero di giri massimo:	3600 min ⁻¹
Olio motore:	1,1 l
Valore CO ₂ :	743 g/kW-hr
Livello sonoro:	91 dB(A)
Livello sonoro a una distanza di 7 m:	66 dB(A)
Dimensioni:	vedi fig. 9 , pagina 7
Peso:	110 kg
Certificati di controllo:	 

Questa misurazione del CO₂ è il risultato di un ciclo di prova fisso eseguito in condizioni di laboratorio su un motore (capostipite) rappresentativo del tipo di motore (della famiglia di motori) e non comporta alcuna garanzia implicita o esplicita delle prestazioni di un particolare motore

Lees deze handleiding voor de ingebruikneming zorgvuldig door en bewaar hem. Geef de handleiding bij het doorgeven van het product aan de gebruiker.

Inhoudsopgave

1	Verklaring van de symbolen	133
2	Veiligheidsinstructies	134
3	Doelgroep van deze handleiding	136
4	Omvang van de levering	136
5	Toebehoren.	137
6	Gebruik volgens de voorschriften	137
7	Technische beschrijving	137
8	Generator bedienen	139
9	Generator reinigen	144
10	Generator onderhouden	145
11	Storingen verhelpen	150
12	Garantie	151
13	Afvoer	151
14	Technische gegevens	152

1 Verklaring van de symbolen



WAARSCHUWING!

Veiligheidsaanwijzing met betrekking tot een gevaarlijke situatie die kan leiden tot ernstig letsel of de dood, als deze niet wordt vermeden.



VOORZICHTIG!

Veiligheidsaanwijzing met betrekking tot een gevaarlijke situatie die kan leiden tot licht of gemiddeld letsel, als deze niet wordt vermeden.

**LET OP!**

Aanwijzing met betrekking tot een situatie die kan leiden tot materiële schade, als deze niet wordt vermeden.

**INSTRUCTIE**

Meer informatie over de bediening van het product.

2 Veiligheidsinstructies

Neem de veiligheidsinstructies en voorschriften van de fabrikant van het voertuig en het garagebedrijf in acht!

De fabrikant kan in de volgende gevallen niet aansprakelijk worden gesteld voor schade:

- beschadiging van het product door mechanische invloeden en verkeerde aansluitspanning
- veranderingen aan het product zonder uitdrukkelijke toestemming van de fabrikant
- gebruik voor andere dan de in de handleiding beschreven toepassingen

Hij kan in het bijzonder niet aansprakelijk gesteld worden voor alle gevolgschade, met name ook niet voor gevolgschade die kan ontstaan door het uitvallen van de generator.

Neem onderstaande fundamentele veiligheidsmaatregelen in acht bij het gebruik van elektrische toestellen ter bescherming tegen:

- elektrische schokken
- brandgevaar
- verwondingen

2.1 Algemene veiligheid



WAARSCHUWING! Niet in acht nemen van deze waarschuwingen kan leiden tot ernstig letsel of de dood.

Gevaar voor de gezondheid

- Gebruik het toestel alleen volgens de voorschriften.
- Voer geen wijzigingen of verbouwingen aan het toestel uit!

- De installatie, het onderhoud en reparaties aan de generator mogen alleen door vakmensen worden uitgevoerd die bekend zijn met de gevaren bij het gebruik van generatoren alsmede de betreffende voorschriften. Door ondeskundige reparaties kunnen grote gevaren ontstaan. Neem bij reparaties contact op met de vestiging van de fabrikant in uw land (zie achterzijde).
- Personen (ook kinderen) die door hun fysieke, zintuiglijke of geestelijke vermogens of hun onervarenheid of onwetendheid niet in staat zijn om het toestel veilig te gebruiken, mogen dit niet zonder toezicht of instructie door een verantwoordelijk persoon doen.

Verstikkingsgevaar

- De uitlaatgassen bevatten koolmonoxide, een uiterst giftig, reukloos en kleurloos gas. Adem de uitlaatgassen niet in. Laat de motor van de generator niet draaien in een afgesloten garage of in een ruimte zonder vensters.

Elektrische schok

- **Elektrische toestellen zijn geen speelgoed!**

Kinderen kunnen de gevaren die van elektrische toestellen uitgaan niet goed inschatten. Laat kinderen niet zonder toezicht elektrische toestellen gebruiken.



VOORZICHTIG! Niet in acht nemen van deze voorzichtigheidsaanwijzingen kan leiden tot licht of gemiddeld letsel.

Gevaar voor de gezondheid

- De generator mag uitsluitend met gesloten klep worden gebruikt.

Brandgevaar

- Verwijder alle brandbare materialen, zoals benzine, lak, oplosmiddelen, enz. uit de buurt van de generator.
- Let op dat er geen hete onderdelen van de generator in contact komen met licht ontvlambare materialen.
- Tank de generator alleen vol in uitgeschakelde toestand en in een goed geventileerde ruimte. Benzine en vloeibaar gas zijn licht ontvlambaar en kunnen exploderen.
- Tank de generator niet vol als de voertuigmotor aan is en de tank zich in de buurt van de generator bevindt.
- Als benzine gemorst wordt, veeg het dan goed weg en wacht met het inschakelen van de motor tot de dampen zijn weggetrokken.

Elektrische schok

- Raak de generator en de leidingen niet met vochtige handen aan.

- Vervang de zekeringen of thermoschakelaars alleen door zekeringen en thermoschakelaars met dezelfde technische gegevens.
- Gebruik het toestel alleen als de behuizing en de leidingen onbeschadigd zijn.



LET OP! Gevaar voor beschadiging

- Tank de benzinetank niet te vol. In de hals van de tank mag zich geen benzine bevinden. Controleer of het deksel goed is gesloten.
- Bij laswerkzaamheden aan het voertuig moeten alle kabels naar de generator worden ontkoppeld; anders kan het elektronische systeem worden beschadigd.

2.2 Veiligheid bij het gebruik van het toestel



WAARSCHUWING! Niet in acht nemen van deze waarschuwingen kan leiden tot ernstig letsel of de dood.

Elektrische schok

- Onderbreek bij werkzaamheden aan het toestel altijd de stroomtoevoer.

3 Doelgroep van deze handleiding

Deze gebruiksaanwijzing is bestemd voor de gebruiker van de generator.

4 Omvang van de levering

Omschrijving

Generator TEC60EV

Omschakelrelais voor het realiseren van een voorrangschakeling

Bedieningspaneel

Geluiddemper

Uitlaatgasleiding

Bevestigingsmateriaal voor de geluiddemper

Aansluitkabel

Bevestigingsmateriaal

Omschrijving

Montagehandleiding

Gebruiksaanwijzing

5 Toebehoren

Als toebehoren verkrijgbaar (niet bij de levering inbegrepen):

Onderdeelnaam	Artikelnummer
PR 250133, externe afdichtingsset	9600025375

6 Gebruik volgens de voorschriften

De generator TEC60EV is geconstrueerd voor gebruik in caravans, campers en commercieel gebruikte voertuigen.

De generator is **niet** geschikt voor installatie in watervoertuigen.

De generator produceert een zuivere sinuswisselspanning van 230V/50°Hz, waarop een verbruiker met een totale constante belasting van 6200 W kan worden aangesloten.

De stroomkwaliteit is ook voor gevoelige verbruikers (bijvoorbeeld pc's) geschikt.

De generator kan een 12-V-accu opladen.

7 Technische beschrijving

De generator bestaat uit volgende hoofdelementen (afb. **1**, pagina 3):

- stroomgenerator met permanente magneten (**1**)
- Verbrandingsmotor (**2**)
- Aansluitbox (**3**)
- Inverter (**4**)
- Bedieningspaneel (**5**)

De verbrandingsmotor (**2**) zet de verbonden stroomgenerator (**1**) om in rotatie en deze produceert een wisselspanning.

De geïntegreerde omvormer (4) vormt deze wisselspanning om in een stabiele spanning van 230 V en 50 Hz.

Op de aansluitbox (3) achter de deur zijn de aansluitklemmen en de hoofdschakelaar aangebracht.

De bediening vindt plaats via een bedieningspaneel (5).

De generator bezit een geïntegreerde acculader voor het opladen van de aangesloten accu.

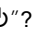
Bedieningselementen op de generator

De aansluitbox van de generator bevindt zich achter de klep.

Pos. in afb. 2, pagina 3	Beschrijving	
1	Hoofdschakelaar	Schakelt de generator in of uit.
2	Thermische beveiliging	Schakelt bij oververhitting van de inverter (zie hoofdstuk „Displaymeldingen“ op pagina 141)

Bedieningselementen van het bedieningspaneel

Het bedieningspaneel is in het voertuig aangebracht.

Pos. in afb. 3, pagina 4	Beschrijving	
1	Display	Geeft statusmeldingen weer.
2	Aan/uit-schakelaar „  “?	Schakelt het bedieningspaneel in en uit als de hoofdschakelaar op „I“ resp. „1“ staat. Zet de generator in noodgevallen stil.
3	Grijze knop „START/STOP“	Start/stopt de generator als het bedieningspaneel ingeschakeld is en de hoofdschakelaar op „I“ resp. „1“ staat.
4	Tanklampje	Brandt als de benzine op reserve staat.
5	Olielampje	Brandt als het oliepeil in de motor te laag is.

Displayindicaties

Pos. in afb. 3, pagina 4	Beschrijving	
6	Wisselspanning	Actuele uitgangsspanning
7	Continu vermogen	Actueel vermogen van de aangesloten verbruiker
8	Bedrijfsuren	Tijd die de generator in bedrijf is
9	Gelijkspanning	Laadspanning van de accu
10	Meldingen	Statusmelding van de generator (zie hoofdstuk „Displaymeldingen“ op pagina 141)

8 Generator bedienen



LET OP! Gevaar voor beschadiging

Belast de generator in de eerste 50 bedrijfsuren (inloophase) met niet meer dan 70 % van het maximale continue vermogen.



INSTRUCTIE

U kunt de levensduur van de generator verlengen door het vermogen te optimaliseren:
belast de generator na de inloophase met maximaal 75 % van het maximale continue vermogen.

8.1 Algemene instructies voor bediening



VOORZICHTIG! Verwondingsgevaar!

Steek geen vingers of voorwerpen in de luchtverdelers of het aanzuigrooster.

Neem de volgende fundamentele instructies in acht:

- Controleer voor ieder gebruik het oliepeil (hoofdstuk „Oliepeil controleren“ op pagina 143).
- Ook geringe overbelastingen leiden er op den duur toe, dat de generator stopt.
- Laat de generator na het gebruik enkele minuten zonder verbruiker in bedrijf voordat u hem uitschakelt.

- Krachtig afremmen, optrekken en bochtenwerk van het voertuig kunnen problemen in het pompsysteem van de generator veroorzaken en een ongewenst uitschakelen tot gevolg hebben.
- Als de generator langere tijd niet wordt gebruikt, dient u hem minstens om de 30 dagen te starten en minimaal 15 minuten te laten lopen.

8.2 Generator in- of uitschakelen

Met de hoofdschakelaar (afb. **2** 1, pagina 3) van de aansluitbox wordt de generator in- of uitgeschakeld.

8.3 Bedieningspaneel in- en uitschakelen

Met de aan/uit-schakelaar (afb. **3** 2, pagina 4) op het bedieningspaneel wordt het bedieningspaneel in- en uitgeschakeld.

➤ Schakel het bedieningspaneel met de aan/uit-schakelaar in.

✓ In het display verschijnt: *GEN OFF*.

Als binnen 5 min de startknop niet is ingedrukt, schakelt het display automatisch uit.

Door op de startknop te drukken, kunt u het display weer inschakelen.

✓ De generator kan nu worden gestart.

8.4 Generator starten

De generator kan alleen worden gestart als hij ingeschakeld is en als het bedieningspaneel ingeschakeld is.

➤ Start de generator met de grijze toets "START/STOP" (afb. **3** 3, pagina 4).

8.5 Generator stoppen

➤ Stop de generator met de grijze toets "START/STOP" (afb. **3** 3, pagina 4).

✓ De inverter schakelt onmiddellijk uit. De generator draait gedurende 30 seconden verder om de generator te koelen, daarna stopt ook de generator.



LET OP! Gevaar voor beschadiging

Stop de generator altijd met de grijze toets "START/STOP" om motorschade te voorkomen.

Schakel de generator in noodgevallen met de hoofdschakelaar buiten werking.

8.6 Displaymeldingen

Displaymelding Beschrijving	Gedrag van de generator	Maatregelen
<p>LOW BATTERY</p> <p>De accuspanning is onder de minimale waarde voor het uitvoeren van startpogingen gedaald (9 V).</p>	De generator springt niet aan.	Accu opladen.
<p>CHECK OIL LEVEL</p>	De generator blijft lopen.	Olie bijvullen (zie hoofdstuk „Oliepeil controleren“ op pagina 143).
<p>OIL CHANGE</p> <p>De teller van de bedrijfsuren heeft de ingestelde waarde voor het verversen van de olie bereikt.</p>	De generator blijft lopen.	Olie ververset (zie hoofdstuk „Olie ververset“ op pagina 146), daarna de melding door drukken op de knop „START/STOP“ bevestigen. De generator door blijven drukken op de knop „START/STOP“ opnieuw starten.
<p>NO FUEL</p> <p>De benzine in de tank staat op reserve.</p>	De generator blijft lopen.	Tanken.
<p>OIL ALERT</p> <p>Motorolie ontbreekt.</p>	De generator stopt.	Olie bijvullen (zie hoofdstuk „Oliepeil controleren“ op pagina 143).
<p>GENERATOR ALERT!</p> <p>Algemeen alarm</p> <p>Voorbeeld: de controlering van de smookklep van de carburateur (stappenmotor) is defect.</p>	De generator stopt.	Het systeem controleren met behulp van de tabel „Storingen, oorzaken en oplossingen“. Als het probleem blijft bestaan, neemt u contact op met de vestiging van de fabrikant in uw land (zie achterzijde).
<p>OVERLOAD!</p> <p>De verbruikers veroorzaken overbelasting aan de uitgang.</p>	De inverter schakelt uit. Daardoor wordt er geen spanning meer afgegeven, maar de motor blijft draaien tot hij uitgaat.	De aangesloten last verminderen en de generator opnieuw starten.

Displaymelding Beschrijving	Gedrag van de generator	Maatregelen
SHORT CIRCUIT De verbruikers veroorzaken kort-sluiting aan de uitgang.	De inverter schakelt uit. Daar-door wordt er geen spanning meer afgegeven, maar de motor blijft draaien tot hij uitgaat.	De toestand van de aangesloten verbruikers controleren, daarna de generator opnieuw starten.
OVER TEMPERATURE Oververhitting	De inverter schakelt uit. Daar-door wordt er geen spanning meer afgegeven, maar de motor blijft draaien om de generator te koelen.	De generator laten afkoelen, een paar minuten wachten, daarna de generator opnieuw starten.
LOW POWER ENGINE Voedingsspanning van de inver-ter valt weg.	De generator stopt.	De aangesloten last verminderen en de generator opnieuw starten.
OVERSPEED Te hoog toerental	De generator stopt.	De generator opnieuw starten. Als het probleem blijft bestaan, neemt u contact op met de vesti-ging van de fabrikant in uw land (zie achterzijde).
START FAILED Voorbeeld: geen benzine, koude temperaturen, defecte bougies, vervuild luchtfilter	De generator is uitgeschakeld.	De generator opnieuw starten.
GEN CAL Melding die verschijnt zodra de generator start. De melding geeft de kalibreerfase aan die aan iedere start voorafgaat. De generator geeft nog geen span-ning af.	De generator draait, maar wekt geen spanning op.	Een ogenblik wachten.
GEN WAIT Melding die in de pauze tussen twee startpogingen verschijnt.	De generator is uitgeschakeld.	Wachten tot de melding ver-dwijnt, daarna opnieuw probe-ren de generator te starten.
GEN ON Normaal bedrijf van de generator.	Normaal bedrijf	–
GEN OFF	De generator staat stil en kan worden gestart.	–
GEN STOP	De generator is gestopt.	Een ogenblik wachten.

Displaymelding Beschrijving	Gedrag van de generator	Maatregelen
<i>WAIT COOLING</i>	De motor draait onbelast om het systeem te laten afkoelen.	Een ogenblik wachten.
<i>INVERTER LOST COMM</i>	De generator stopt.	Het systeem controleren met behulp van de tabel „Storingen, oorzaken en oplossingen”. Als het probleem blijft bestaan, neemt u contact op met de vestiging van de fabrikant in uw land (zie achterzijde).
<i>ENGINE LOST COMM</i>	De generator stopt.	Het systeem controleren met behulp van de tabel „Storingen, oorzaken en oplossingen”. Als het probleem blijft bestaan, neemt u contact op met de vestiging van de fabrikant in uw land (zie achterzijde).
<i>INVERTER FAILED</i>	De generator stopt.	Neem contact op met de vestiging van de fabrikant in uw land (zie achterzijde).
<i>ENG. PARAM. ERROR</i>	De generator stopt.	Neem contact op met de vestiging van de fabrikant in uw land (zie achterzijde).
<i>INV. PARAM. ERROR</i>	De generator stopt.	Neem contact op met de vestiging van de fabrikant in uw land (zie achterzijde).
<i>SOFTWARE ERROR</i>	De generator stopt.	Neem contact op met de vestiging van de fabrikant in uw land (zie achterzijde).

8.7 Oliepeil controleren



VOORZICHTIG! Gevaar voor verwonding

Hete olie kan brandwonden veroorzaken.

Controleer het oliepeil alleen als de generator uitgeschakeld is.



INSTRUCTIE

De generator moet horizontaal staan.

Controleer voor ieder gebruik het oliepeil. Ga hiervoor als volgt te werk:

- Open de klep van de generator.
- Schakel de generator uit met de hoofdschakelaar (afb. **4** 1, pagina 4).
- Maak de verbinding met de pluspool van de accu los.
- Trek de peilstok (afb. **4** 2, pagina 4) uit de vulopening (afb. **4** 3, pagina 4).
- Reinig de peilstok (afb. **4** 2, pagina 4) met een doek.
- Steek de peilstok (afb. **4** 2, pagina 4) in de vulopening (afb. **4** 3, pagina 4).
- Trek de peilstok (afb. **4** 2, pagina 4) uit de vulopening.
- Controleer of het oliepeil tussen de inkeping (maximaal vulpeil) en de top van de peilstok ligt.
Is dit niet het geval, vul de olie dan bij.
- Steek de peilstok (afb. **4** 2, pagina 4) in de vulopening (afb. **4** 3, pagina 4).
- Controleer of het oliepeil niet boven het maximum vulpeil is.
- Verbind de generator met de pluspool van de accu.
- Schakel de generator in met de hoofdschakelaar (afb. **4** 1, pagina 4).
- Sluit de klep van de generator.

9 Generator reinigen



LET OP! Gevaar voor beschadiging

- Reinig de generator niet met een hogedrukreiniger. Binnendringend water kan de generator beschadigen.
- Gebruik geen scherpe of harde voorwerpen of reinigingsmiddelen bij de reiniging, omdat de generator hierdoor beschadigd kan raken.
- Gebruik voor de reiniging van de generator alleen water met een mild reinigingsmiddel. Gebruik in geen geval benzine, diesel of oplosmiddelen.

- Reinig de behuizing van de generator af en toe met een vochtige doek.
- Verwijder regelmatig verontreinigingen uit de ventilatieopeningen van de generator. Let op dat u hierbij de lamellen van de generator niet beschadigt.

10 Generator onderhouden



INSTRUCTIE

Vind uw Dometic servicepartner op het internet:
service-location.dometic.com

10.1 Onderhoudstabel



WAARSCHUWING!

Laat alle onderhoudswerkzaamheden uitsluitend door vakmensen uitvoeren die bekend zijn met de betreffende voorschriften. Door ondeskundige onderhoudswerkzaamheden kunnen grote gevaren ontstaan.



INSTRUCTIE

Laat de volgende onderhoudswerkzaamheden in de aangegeven afstanden of na het aangegeven aantal bedrijfsuren uitvoeren, afhankelijk van wat eerder het geval is.

Interval	Controle/onderhoud
In de eerste maand of na 20 uur	<ul style="list-style-type: none"> ➤ Laat de olie verversen. ➤ Laat de luchtfilter onderhouden (hoofdstuk „Luchtfilter onderhouden” op pagina 147).
Om de 3 maanden of na 50 uur	<ul style="list-style-type: none"> ➤ Laat de luchtfilter onderhouden (hoofdstuk „Luchtfilter onderhouden” op pagina 147).
Om de 6 maanden of na 100 uur	<ul style="list-style-type: none"> ➤ Laat de olie verversen. ➤ Laat de bougie onderhouden (hoofdstuk „Bougie onderhouden” op pagina 149).
Jaarlijks of om de 300 uur	<ul style="list-style-type: none"> ➤ Laat de ventielen onderhouden. ➤ Laat de benzinetank en de brandstoffilter onderhouden. ➤ Laat de vibratiedemper onderhouden.
Om de 2 jaar	<ul style="list-style-type: none"> ➤ Controleer de benzine-toevoerleidingen.

10.2 Onderhoudswerkzaamheden voorbereiden



VOORZICHTIG! Gevaar voor verwonding

Let bij alle werkzaamheden op:

- De generator mag niet in bedrijf zijn.
- Alle onderdelen moeten afgekoeld zijn.

- Open de klep van de generator.
- Schakel de generator uit met de hoofdschakelaar (afb. **2** 1, pagina 3).
- Maak de verbinding met de pluspool van de accu los.

Voor onderhoudswerkzaamheden kunt u de generator naar buiten trekken (afb. **5**, pagina 5):



WAARSCHUWING! Gevaar voor verwonding

De draagplaat met generator is erg zwaar (> 70 kg) en kan uit de behuizing vallen als u hem te ver naar buiten trekt.

- Draai de bevestigingsschroeven (**1**) los.
- Trek de draagplaat (**2**) met de generator uit de behuizing (**3**).

10.3 Onderhoudswerkzaamheden afsluiten

- Verbind de generator met de pluspool van de accu.
- Schakel de generator in met de hoofdschakelaar (afb. **4** 1, pagina 4).
- Sluit de klep van de generator.

10.4 Olie verversen



VOORZICHTIG! Gevaar voor verwonding

Hete olie kan brandwonden veroorzaken.



LET OP! Gevaar voor beschadiging

Geef de afgewerkte olie aan een speciaal bedrijf voor de afvoer of teruggewinning, en neem de wetten met betrekking tot de bescherming van het milieu in het betreffende land in acht.

U kunt de volgende olie gebruiken:

- Olie van de klasse SAE 5W-30 (gebruik bij alle temperaturen mogelijk).
- Olie met vaste viscositeit. Kies de geschikte viscositeit afhankelijk van de gemiddelde plaatselijke temperatuur.

Zo ververs u de olie:

- Laat de generator drie tot vijf minuten warmdraaien, zodat de olie vloeibaarder wordt en snel en volledig wegstroomt.
- Zet een geschikte bak onder de olieaftapschroef (afb. **6** 1, pagina 5).
- Verwijder de oliepeilstok.
- Verwijder de olieaftapschroef (afb. **6** 1, pagina 5).
- ✓ De olie stroomt weg.
- Giet verse olie in de vulopening.
De oliehoeveelheid bedraagt: 1,1 l.
- Plaats de aftapplug.

10.5 LuchtfILTER onderhouden



WAARSCHUWING! Explosiegevaar!

Gebruik geen dieselolie of oplosmiddel met laag verdampingspunt voor de reiniging van de luchtfILTER. Deze kunnen ontsteken of exploderen.



LET OP! Gevaar voor beschadiging

Laat de motor nooit zonder luchtfILTER draaien. Anders slijt de motor snel.



INSTRUCTIE

Als de luchtfILTER verontreinigd is, wordt de luchtstroom naar de carburateur verkleind. Opdat de carburateur goed functioneert, dient u de toestand van de filter regelmatig te controleren. Controleer de filter vaker als de generator in een zeer stoffige omgeving wordt gebruikt.

- Bereid de onderhoudswerkzaamheden voor en trek de generator een stuk uit de behuizing: zie hoofdstuk „Onderhoudswerkzaamheden voorbereiden” op pagina 146.
- Verwijder de schroeven (afb. **7** 1, pagina 6) en de filterafdekking (afb. **7** 2, pagina 6).
- Verwijder de schroef (afb. **7** 3, pagina 6).
- Verwijder de luchtfilter (afb. **7** 4, pagina 6).
De luchtfilter bestaat uit twee elementen: een sponsfilter en een papierfilter.
- Controleer de toestand van beide filterelementen zorgvuldig. Vervang de beschadigde filterelementen.
- Reinig de onbeschadigde filterelementen: zie de volgende paragrafen.
- Plaats het filter.
- Monteer de schroef weer.
- Plaats het filter.
- Sluit de onderhoudswerkzaamheden af: zie hoofdstuk „Onderhoudswerkzaamheden afsluiten” op pagina 146.

Sponsfilter reinigen

- Was de spons met een neutrale wasmiddeloplossing en spoel hem zorgvuldig uit.
- Laat de spons volledig drogen.
- Drenk de spons in zuivere motorolie.
- Wring de overtollige olie eruit.

Papierfilter reinigen

- Verwijder verontreinigingen door het papier herhaaldelijk licht op een hard oppervlak te slaan of blaas de filter van binnen naar buiten uit met perslucht.
Borstel het papier **niet** af, daardoor kan het vuil in de vezels van de papierfilter dringen.
- Vervang de papierfilter bij sterke verontreiniging.

10.6 Bougie onderhouden



LET OP! Gevaar voor beschadiging

- Draai de bougie stevig aan. Een niet goed aangedraaide bougie kan zeer heet worden en schade aan de motor veroorzaken.
- Gebruik uitsluitend gelijkwaardige bougies.
- Als u een nieuwe bougie plaatst, draait u deze een halve omwenteling aan als hij op de onderlegschiif rust. Bij het gebruik van gebruikte bougies is een achtste of een vierde omwenteling voldoende.

- Bereid de onderhoudswerkzaamheden voor: zie hoofdstuk „Onderhoudswerkzaamheden voorbereiden” op pagina 146.
- Verwijder de bougiestekker.
- Verwijder de bougie met een bougiesleutel.
- Controleer de bougie visueel.
Als de bougie duidelijk versleten is of de isolator beschadigd is, dient u de bougie te vervangen.
Als de bougie slechts verontreinigd is, reinigt u deze met een staalborstel.
- Meet de afstand tussen de elektroden met een diktemeter (afb. **8**, pagina 6). Deze afstand moet 0,7 – 0,8 mm bedragen en kan eventueel worden gecorrigeerd door de elektrode te buigen.
- Controleer of de bougieafdichting intact is.
- Schroef de bougie er handmatig om beschadiging van de schroefdraad te voorkomen.
- Draai de bougie met een bougiesleutel zo aan dat de onderlegschiif samenge-drukt wordt.
- Sluit de onderhoudswerkzaamheden af: zie hoofdstuk „Onderhoudswerkzaamheden afsluiten” op pagina 146.

11 Storingen verhelpen

Storing	Oorzaak	Oplossing
Bij het indrukken van de aan/uitschakelaar gaat het bedieningspaneel niet aan.	Accu leeg.	➤ Laad de accu.
	Zekering (indien voorhanden) is gesprongen.	➤ Neem contact op met een geautoriseerde werkplaats.
Bij het indrukken van de startknop draait de starter niet.	Accu leeg.	➤ Laad de accu.
	De hoofdschakelaar staat op „0”.	➤ Zet de hoofdschakelaar op „1” resp. „1”.
	Printplaat beschadigd. Starter krijgt geen stroom.	➤ Neem contact op met een geautoriseerde werkplaats.
De starter draait, maar de generator springt niet aan.	Geen benzine.	➤ Vul benzine bij.
	Te veel olie in de motor.	➤ Tap olie af.
	Bougie krijgt geen stroom.	➤ Controleer de elektrische verbindingen.
	Carburateur krijgt geen benzine.	➤ Reinig de carburateur.
	Luchtaanzuiging verstopt.	➤ Controleer de luchtfilter (zie hoofdstuk „Luchtfilter onderhouden” op pagina 147).
	Inverter beschadigd.	➤ Neem contact op met een geautoriseerde werkplaats.
De generator valt bijna uit.	Te veel olie in de motor.	➤ Tap olie af.
	Last boven 6,2 kW.	➤ Schakel verbruikers uit.
	Carburateur krijgt geen benzine.	➤ Reinig de carburateur.
	Luchtaanzuiging verstopt.	➤ Controleer de luchtfilter (zie hoofdstuk „Luchtfilter onderhouden” op pagina 147).
	Inverter beschadigd.	➤ Neem contact op met een geautoriseerde werkplaats.
	Elektromagneet (starter) blokkeert.	
	Luchtfilter verontreinigd.	➤ Controleer de luchtfilter (zie hoofdstuk „Luchtfilter onderhouden” op pagina 147).
	Brandstoffilter is vuil.	➤ Vervang het brandstoffilter.
De generator is aangesprongen, maar wekt geen spanning op.	Inverter beschadigd.	➤ Controleer de elektrische verbindingen.
	Toerental is te laag.	➤ Neem contact op met een geautoriseerde werkplaats.

Storing	Oorzaak	Oplossing
De generator start met sterke versnelling en blijft dan met de melding „GENERATOR ALERT” stilstaan.	Stappenmotor defect.	► Neem contact op met een geautoriseerde werkplaats.
De opgewekte spanning is instabiel.	Inverter beschadigd.	► Neem contact op met een geautoriseerde werkplaats.

12 Garantie

De wettelijke garantieperiode is van toepassing. Indien het product defect is, dient u contact op te nemen met een servicepartner in uw land (zie achterzijde).

Onze specialisten helpen u graag verder en bespreken het verdere verloop van de garantie met u.

13 Afvoer

► Laat het verpakkingsmateriaal indien mogelijk recycleren.



Als u het product definitief buiten bedrijf stelt, informeer dan bij het dichtstbijzijnde recyclingcentrum of uw speciaalzaak naar de betreffende afvoervoorschriften.



Bescherm uw milieu!

Accu's en batterijen horen niet thuis in het huishoudelijke afval. Geef uw defecte of verbruikte of defecte accu's bij de leverancier of bij een verzamelpunt af.

14 Technische gegevens

	TEC60EV
Artikelnr.:	9102900303
Nominale uitgangsspanning:	230 V~ / 50 Hz
Max. continu vermogen (bij 25 °C op zeeniveau):	6200 W
Uitgangsspanning acculader:	12 V===
Max. uitgangsstroom acculader:	30 A
Bedrijfstemperatuur:	-15 °C tot +50 °C
Totale harmonische vervorming:	<3 %
Brandstof:	Normale benzine ROZ 91
Verbruik:	max. 3,7 l/h
Motorvermogen:	6,6 kW (8,9 PS)
Max. toerental:	3600 min ⁻¹
Motorolie:	1,1 l
CO ₂ -waarde:	743 g/kW-hr
Geluidsniveau:	91 dB(A)
Geluidniveau op 7 m afstand:	66 dB(A)
Afmetingen:	zie afb. 9 , pagina 7
Gewicht:	110 kg
Keurmerk/certificaat:	 

Deze CO₂-meetresultaten volgen uit tests gedurende een vaste testcyclus onder laboratoriumomstandigheden van een (basis)motor die representatief is voor het motortype (motorfamilie) en zijn geen enkele garantie voor de prestaties van een bepaalde motor

Læs denne vejledning omhyggeligt igennem før ibrugtagning, og gem den. Giv den til brugeren, hvis du giver produktet videre.

Indholdsfortegnelse

1	Forklaring af symbolerne	153
2	Sikkerhedshenvisninger	154
3	Målgruppe for denne vejledning	156
4	Leveringsomfang.	156
5	Tilbehør	157
6	Korrekt brug	157
7	Teknisk beskrivelse	157
8	Betjening af generatoren	159
9	Rengøring af generatoren.	164
10	Vedligeholdelse af generatoren.	165
11	Udbedring af fejl	169
12	Garanti	171
13	Bortskaffelse	171
14	Tekniske data.	172

1 Forklaring af symbolerne



ADVARSEL!

Sikkerhedshenvisning til en farlig situation, der kan medføre død eller alvorlige kvæstelser, hvis den ikke undgås.



FORSIGTIG!

Sikkerhedshenvisning til en farlig situation, der kan medføre lette eller mindre kvæstelser, hvis den ikke undgås.

**VIGTIGT!**

Henvisning til en situation, der kan medføre materielle skader, hvis den ikke undgås.

**BEMÆRK**

Supplerende informationer om betjening af produktet.

2 Sikkerhedshenvisninger

Overhold sikkerhedshenvisningerne og pålæggene, der er foreskrevet af køretøjsproducenten og af automobilbranchen!

Producenten påtager sig intet ansvar for skader i følgende tilfælde:

- Beskadigelser på apparatet på grund af mekanisk påvirkning og forket tilslutningsspænding
- Ændringer på produktet uden udtrykkelig tilladelse fra producenten
- Anvendelse til andre formål end dem, der er beskrevet i vejledningen

Producenten hæfter især ikke for følgeskader, heller ikke for følgeskader, der kan opstå, hvis driften af generatoren svigter.

Overhold følgende grundlæggende sikkerhedsforanstaltninger ved brug af elektriske apparater for at beskytte mod:

- Elektrisk stød
- Brandfare
- Kvæstelser

2.1 Grundlæggende sikkerhed



ADVARSEL! Manglende overholdelse af disse advarsler kan medføre dødelige eller alvorlige kvæstelser.

Sundhedsfare

- Anvend kun apparatet til det formål, som det er bestemt til.
- Foretag ikke ændringer af apparatet eller ombygninger på det!

- Installation og vedligeholdelse af og reparationer på generatoren må kun foretages af fagfolk, der kender farerne ved omgang med generatoren og de pågældende forskrifter. Ved ukorrekte reparationer kan der opstå betydelige farer. Ved reparationer skal du henvende dig til producentens afdeling i dit land (se bagsiden).
- Personer (inkl. børn), der på grund af deres fysiske, sans- eller mentale evner eller deres uerfarenhed eller uvidenhed ikke er i stand til at anvende apparatet sikkert, bør kun anvende dette apparat under en ansvarlig persons opsyn eller anvisning.

Risiko for kvælning

- Udstødningsgasserne indeholder kulmonoxid, en yderst giftig, lugtløs og farveløs gas. Indånd ikke udstødningsgasserne. Lad ikke generatorens motor køre i en lukket garage eller i et rum uden vinduer.

Elektrisk stød

El-apparater er ikke legetøj!

Børn er ikke i stand til at vurdere farer, der udgår fra elektriske apparater. Lad ikke børn benytte elektriske apparater uden opsyn.



FORSIGTIG! Manglende overholdelse af disse forsigtighedshenvisninger kan medføre mindre eller moderate kvæstelser.

Sundhedsfare

- Generatoren må udelukkende anvendes med lukket klap.

Brandfare

- Fjern alle letantændelige materialer som f.eks. benzin, lak, opløsningsmidler osv. i nærheden af generatoren.
- Kontrollér, at generatorens dele, der bliver varme, ikke kommer i berøring med letantændelige materialer.
- Optank kun generatoren, når den er frakoblet og er i et godt ventileret område. Benzin og F-gas er meget antændelige og kan eksplodere.
- Optank ikke generatoren, når køretøjets motor kører, hvis tanken befinder sig i nærheden af generatoren.
- Hvis der spildes benzin, skal du tørre det grundigt op og afvente, at dampene er forsvundet, indtil du tilkoblet motoren.

Elektrisk stød

- Berør ikke generatoren og ledningerne med fugtige hænder.
- Udsift kun sikringerne og termoafbryderen med sikringer og afbrydere med de samme tekniske data.

- Anvend kun apparatet, hvis kabinettet og ledningerne er ubeskadigede.



VIGTIGT! Fare for beskadigelse

- Fyld ikke benzintanken helt op. Der må ikke findes benzin i tankens hals. Kontrollér, om dækslet er lukket rigtigt.
- Hvis der skal gennemføres svejsearbejder på køretøjet, skal du afbryde alle kabler til generatoren. I modsat fald kan elektronikken blive beskadiget.

2.2 Sikkerhed under anvendelse af apparatet



ADVARSEL! Manglende overholdelse af disse advarsler kan medføre dødelige eller alvorlige kvæstelser.

Elektrisk stød

- Afbryd altid strømforsyningen ved arbejder på apparatet.

3 Målgruppe for denne vejledning

Denne betjeningsvejledning henvender sig til generatorens bruger.

4 Leveringsomfang

Betegnelse

Generator TEC60EV

Omkoblingsrelæ til realisering af en prioritetskobling

Betjeningspanel

Lyddæmper

Udstødningsgasledning

Fastgørelsesmateriale til lyddæmperen

Tilslutningskabel

Fastgørelsesmateriale

Installationsvejledning

Betjeningsvejledning

5 Tilbehør

Kan fås som tilbehør (ikke indeholdt i leveringsomfanget):

Delenes betegnelse	Artikelnummer
PR 250133, eksternt tætningssæt	9600025375

6 Korrekt brug

Generatoren TEC60EV er beregnet til brug i autocampere, campingvogne og erhvervskøretøjer.

Generatoren er **ikke** egnet til installation i både.

Generatoren skaber en ren sinus-vekselspænding på 230 V/50 Hz, som forbrugere med en samlet konstant belastning på 6200 W kan tilsluttes til.

Strømkvaliteten er også egnet til følsomme forbrugere (f.eks. pc'er).

Generatoren kan oplade et 12 V-batteri.

7 Teknisk beskrivelse

Generatoren består af følgende hovedelementer (fig. **1**, side 3):

- Strømgenerator med permamagneter (**1**)
- Forbrændingsmotor (**2**)
- Tilslutningsboks (**3**)
- Inverter (**4**)
- Betjeningspanel (**5**)

Forbrændingsmotoren (**2**) drejer strømgenerator (**1**), der er fast forbundet med den, og den skaber en vekselspænding.

Den integrerede inverter (**4**) omformer denne vekselspænding til en stabil spænding på 230 V og 50 Hz.

På tilslutningsboksen (**3**) bagved døren er tilslutningsklemmerne og hovedafbryderen placeret.

Betjeningen foretages med et betjeningspanel (**5**).

Generatoren har en integreret batterioplader til opladning af det tilsluttede batteri.

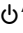
Betjeningslementer på generatoren

Generatorens tilslutningsboks findes bagved klappen.

Pos. på fig. 2 , side 3	Beskrivelse	
1	Hovedafbryder	Tænder generatoren, så den er driftsklar, eller frakobler dens funktion.
2	Termisk sikring	Udløses ved overophedning af inverteren (se kapitlet „Displaymeldinger“ på side 161)

Betjeningslementer på betjeningspanelet

Betjeningspanelet er placeret inde i køretøjet.

Pos. på fig. 3 , side 4	Beskrivelse	
1	Display	Viser statusmeldinger
2	Tænd/sluk-kontakt „  “?	Tænder og slukker betjeningspanelet, når hovedafbryderen står på „I“ eller „1“. Standser generatoren i nødstilfælde.
3	Grå tast „START/STOP“	Starter/standser generatoren, hvis betjeningspanelet er tilkoblet og hovedafbryderen står på „I“ eller „1“.
4	Benzinvisning	Lyser, hvis benzinen står på reserve.
5	Olievisning	Lyser, hvis oliestanden i motoren er for lav.

Displayvisninger

Pos. på fig. 3, side 4	Beskrivelse	
6	Vekselspænding	Aktuel udgangsspænding
7	Konstant effekt	De tilsluttede forbrugeres aktuelle effekt
8	Driftstimer	Tid, som generatoren er i drift
9	Jævnspænding	Batteriets ladespænding
10	Meldinger	Generatorens statusmelding (se kapitlet „Displaymeldinger“ på side 161)

8 Betjening af generatoren



VIGTIGT! Fare for beskadigelse

Belast i de første 50 driftstimer (indkøringsfase) ikke generatoren over 70 % af den maks. konstante effekt.



BEMÆRK

På den måde kan du forlænge generatorens levetid og optimere dens effekt:

Belast efter indkøringsfasen maks. generatoren med en belastning på ca. 75 % af den maks. konstante effekt.

8.1 Grundlæggende henvisninger til betjeningen



FORSIGTIG! Fare for kvæstelser!

Stik ikke fingre eller genstande ind i luftdyserne eller indsugningsgitteret.

Overhold følgende grundlæggende henvisninger:

- Kontrollér oliestanden før hver anvendelse (kapitlet „Kontrol af oliestanden“ på side 163).
- Også små overbelastninger medfører i længden, at generatoren standser.
- Lad generatoren være i drift i et par minutter uden forbrugere efter brug, før du standser den.

- Kraftig opbremsning, acceleration og kørsel i kurver med køretøjet kan forårsage problemer i generatorens pumpesystem og medføre, at den frakobles utilsigtet.
- Hvis du ikke anvender generatoren i længere tid, skal du starte den mindst for hver 30 dage og lade den køre i mindst 15 minutter.

8.2 Tilkobling af generator til driftsklar tilstand eller frakobling af dens funktion

Med hovedafbryderen (fig. **2** 1, side 3) på tilslutningsboksen tilkobles generatoren, så den er driftsklar, eller frakobles dens funktion.

8.3 Til- og frakobling af betjeningspanelet

Med tænd/sluk-kontakten (fig. **3** 2, side 4) på betjeningspanelet til- og frakobles betjeningspanelet.

- ▶ Tænd betjeningspanelet med tænd/sluk-knappen.
- ✓ Displayet viser: *GEN OFF*.
Displayet slukkes automatisk efter 5 min, hvis der i dette tidsrum ikke trykkes på startknappen.
Ved at trykke på starttasten kan du tænde displayet igen.
- ✓ Generatoren kan nu startes.

8.4 Start af generatoren

Generatoren kan kun startes, når den er indstillet på driftsklar tilstand, og når betjeningspanelet tændt.

- ▶ Start generatoren med den grå knap "START/STOP" (fig. **3** 3, side 4).

8.5 Standsning af generatoren

- Stop generatoren med den grå knap "START/STOP" (fig. **3** 3, side 4).
- ✓ Inverteren frakobles med det samme. Generatoren fortsætter med at køre i 30 sekunder for at køle generatoren, derefter standser generatoren.



VIGTIGT! Fare for beskadigelse

Stop altid generatoren med den grå knap "START/STOP" for at undgå motorskader.

Afbryd kun generatorens funktion på den røde hovedafbryder i nødtilfælde.

8.6 Displaymeldinger

Displaymelding Beskrivelse	Generatorens reaktion	Foranstaltninger
LOW BATTERY Batterispændingen er falder under minimumværdien for udførelsen af startforsøg (9 V).	Generatoren starter ikke.	Oplad batteriet.
CHECK OIL LEVEL	Generatoren fortsætter med at køre.	Påfyld olie (se kapitlet „Kontrol af oliestanden“ på side 163).
OIL CHANGE Tællingen af driftstimerne har nået den indstillede værdi for motorolieskiftet.	Generatoren fortsætter med at køre.	Foretag olieskiftet (se kapitlet „Olieskift“ på side 166), bekræft derefter meldingen ved at trykke uafbrudt på tasten „START/STOP“. Start generatoren igen ved fortsat at trykke uafbrudt på tasten „START/STOP“.
NO FUEL Benzinen i tanken står på reserve.	Generatoren fortsætter med at køre.	Optank.
OIL ALERT Der mangler motorolie.	Generatoren standser.	Påfyld olie (se kapitlet „Kontrol af oliestanden“ på side 163).
GENERATOR ALERT! Generel alarmmelding Eksempel: Kontrolringen på karburatorens drosselklapventil (stepmotor) er defekt.	Generatoren standser.	Kontrollér systemet ved hjælp af tabellen Fejl, årsager og udbedringer. Hvis problemet fortsat findes, skal du henvende dig til producentens afdeling i dit land (se bagsiden).

Displaymelding Beskrivelse	Generatorens reaktion	Foranstaltninger
<i>OVERLOAD!</i> Forbrugeren skaber en overbelastning på udgangen.	Inverteren frakobler, derfor afgives der ikke længere spænding, men motoren fortsætter med at køre, indtil den standser.	Reducér den tilsluttede belastning, og start generatoren igen.
<i>SHORT CIRCUIT</i> Forbrugeren skaber en kortslutning på udgangen.	Inverteren frakobler, derfor afgives der ikke længere spænding, men motoren fortsætter med at køre, indtil den standser.	Kontrollér de tilsluttede forbrugeres tilstand, start derefter generatoren igen.
<i>OVER TEMPERATURE</i> Overophedning	Inverteren frakobler, derfor afgives der ikke længere spænding, men motoren fortsætter med at køre for at køle generatoren.	Lad generatoren køle af, vent et par minutter, start derfor generatoren igen.
<i>LOW POWER ENGINE</i> Fald i inverters forsyningsspænding	Generatoren standser.	Reducér den tilsluttede belastning, og start generatoren igen.
<i>OVERSPEED</i> For højt omdrejningstal	Generatoren standser.	Start generatoren igen. Hvis problemet fortsat findes, skal du henvende dig til producentens afdeling i dit land (se bagsiden).
<i>START FAILED</i> Eksempel: Ingen benzin, kolde temperaturer, defekt tændrør, tilsmudset luftfilter	Generatoren er frakoblet.	Start generatoren igen.
<i>GEN CAL</i> Melding, der vises, når generatoren startes. Den viser kalibreringsfasen, der går forud for hver start. Generatoren afgiver endnu ingen spænding.	Generatoren kører, men skaber ingen spænding.	Vent et øjeblik.
<i>GEN WAIT</i> Melding, der vises i pausen mellem to startforsøg.	Generatoren er frakoblet.	Vent, indtil meldingen forsvinder, prøv derefter at tænde igen.
<i>GEN ON</i> Normal drift af generatoren.	Normal drift	–
<i>GEN OFF</i>	Generatoren er standset og kan startes	–
<i>GEN STOP</i>	Generatoren er standset.	Vent et øjeblik.

Displaymelding Beskrivelse	Generatorens reaktion	Foranstaltninger
<i>WAIT COOLING</i>	Motoren kører uden belastning for at køle systemet ned.	Vent et øjeblik.
<i>INVERTER LOST COMM</i>	Generatoren standser.	Kontrollér systemet ved hjælp af tabellen Fejl, årsager og udbedringer. Hvis problemet fortsat findes, skal du henvende dig til producentens afdeling i dit land (se bagsiden).
<i>ENGINE LOST COMM</i>	Generatoren standser.	Kontrollér systemet ved hjælp af tabellen Fejl, årsager og udbedringer. Hvis problemet fortsat findes, skal du henvende dig til producentens afdeling i dit land (se bagsiden).
<i>INVERTER FAILED</i>	Generatoren standser.	Kontakt producentens afdeling i dit land (se bagsiden).
<i>ENG. PARAM. ERROR</i>	Generatoren standser.	Kontakt producentens afdeling i dit land (se bagsiden).
<i>INV. PARAM. ERROR</i>	Generatoren standser.	Kontakt producentens afdeling i dit land (se bagsiden).
<i>SOFTWARE ERROR</i>	Generatoren standser.	Kontakt producentens afdeling i dit land (se bagsiden).

8.7 Kontrol af oliestanden



FORSIGTIG! Fare for kvæstelser

Varm olie kan forårsage forbrændinger.
Kontrollér kun oliestanden, når generatoren er frakoblet.



BEMÆRK

Generatoren skal stå vandret.

Kontrollér oliestanden før hver anvendelse. Gå frem på følgende måde:

- ▶ Åbn generatorens klap.
- ▶ Afbryd generatorens funktioner med hovedafbryderen (fig. **4** 1, side 4).
- ▶ Afbryd forbindelsen til forsyningsbatteriets pluspol.

- Træk målepinden (fig. 4 2, side 4) ud af påfyldningsstudsens (fig. 4 3, side 4).
- Rengør målepinden (fig. 4 2, side 4) med en klud.
- Stik målepinden (fig. 4 2, side 4) helt ind i påfyldningsstudsens (fig. 4 3, side 4).
- Træk målepinden (fig. 4 2, side 4) ud af påfyldningsstudsens.
- Kontrollér, om oliestanden ligger mellem indhakkets (maks. påfyldningsniveau) og målepindens spids.
Påfyld olie, hvis det ikke er tilfældet.
- Stik målepinden (fig. 4 2, side 4) helt ind i påfyldningsstudsens (fig. 4 3, side 4).
- Kontrollér, at oliestanden ikke befinder sig over det maksimale niveau.
- Forbind generatoren med forsyningsbatteriets pluspol.
- Tænd generatoren med hovedafbryderen (fig. 4 1, side 4), så den er driftklar.
- Luk generatorens klap.

9 Rengøring af generatoren



VIGTIGT! Fare for beskadigelse

- Rengør ikke generatoren med en højtryksrenser. Indtrængende vand kan beskadige generatoren.
- Anvend ikke skarpe eller hårde genstande eller rengøringsmidler til rengøring, da det kan beskadige generatoren.
- Anvend udelukkende vand med et skånende rengøringsmiddel til at rengøre generatoren. Anvend under ingen omstændigheder benzin, diesel eller opløsningsmidler.

- Rengør af og til generatorens kabinet med en fugtig klud.
- Fjern regelmæssigt tilsmudsninger fra generatorens ventilationsåbninger. Generatorens lameller må i den forbindelse ikke beskadiges.

10 Vedligeholdelse af generatoren



BEMÆRK

Find din Dometic-servicepartner på internettet:
service-location.dometic.com

10.1 Vedligeholdelsestabel



ADVARSEL!

Lad fagfolk, der kender de gældende forskrifter, udføre alle vedligeholdelsesarbejder. Ved ukorrekte vedligeholdelsesarbejder kan der opstå betydelige farer.



BEMÆRK

Lad følgende vedligeholdelsesarbejder udføre med de anførte mellemrum eller efter det anførte antal driftstimer, afhængigt af hvad der forekommer først.

Interval	Kontrol/vedligeholdelse
I den første måned eller efter 20 timer	<ul style="list-style-type: none"> ➤ Lad olien udskifte. ➤ Lad luftfilteret vedligeholde (kapitlet „Vedligeholdelse af luftfilteret“ på side 167).
Hver 3. måned eller efter 50 timer	<ul style="list-style-type: none"> ➤ Lad luftfilteret vedligeholde (kapitlet „Vedligeholdelse af luftfilteret“ på side 167).
Hver 6. måned eller efter 100 timer	<ul style="list-style-type: none"> ➤ Lad olien udskifte. ➤ Lad tændrøret vedligeholde (kapitlet „Vedligeholdelse af tændrøret“ på side 168).
Årligt eller for hver 300 timer	<ul style="list-style-type: none"> ➤ Lad ventilerne vedligeholde. ➤ Lad benzintanken og brændstoffilteret vedligeholde. ➤ Lad vibrationsdæmperen vedligeholde.
Hver andet år	<ul style="list-style-type: none"> ➤ Kontrollér benzinforsyningslangerne.

10.2 Forberedelse af vedligeholdelsesarbejder



FORSIGTIG! Fare for kvæstelser

Overhold følgende ved alle vedligeholdelsesarbejder:

- Generatoren må ikke være i drift.
- Alle dele skal være kølet af.

- Åbn generatorens klap.
- Afbryd generatorens funktioner med hovedafbryderen (fig. **2** 1, side 3).
- Afbryd forbindelsen til forsyningsbatteriets pluspol.

Ved vedligeholdelsesarbejder kan du trække generatoren ud (fig. **5**, side 5):



ADVARSEL! Fare for kvæstelser

Fundamentpladen med generatoren er meget tung (> 70 kg) og kan falde ud af kabinettet, hvis du trækker den for langt ud.

- Løsn fastgørelsesskruerne (**1**).
- Træk fundamentpladen (**2**) med generatoren ud af kabinettet (**3**).

10.3 Afslutning af vedligeholdelsesarbejder

- Forbind generatoren med forsyningsbatteriets pluspol.
- Tænd generatoren med hovedafbryderen (fig. **4** 1, side 4), så den er driftsklar.
- Luk generatorens klap.

10.4 Olieskift



FORSIGTIG! Fare for kvæstelser

Varm olie kan forårsage forbrændinger.



VIGTIGT!

Aflevér ubetinget spildolie til specialfirmaer med henblik på bortskaffelse eller genanvendelse, og overhold lovene i det pågældende lande til beskyttelse af miljøet.

Du kan anvende følgende olie:

- Olie i klasse SAE 5W-30 (anvendelse mulig ved alle temperaturer).
- Olie med et områdes viskositet.
Vælg den egnede viskositet afhængigt af den gennemsnitlige lokale temperatur.

Sådan skifter du olie:

- Lad generatoren køre varm i tre til fem minutter, så olien bliver mere flydende og løber hurtigt og fuldstændigt ud.
- Stil en egnet beholder under aftapningsskruen (fig. **6** 1, side 5).
- Fjern oliemålepinden.
- Tag aftapningsskruen af (fig. **6** 1, side 5).
- ✓ Olien løber ud.
- Påfyld ny olie i oliestudsens.
Oliemængden er: 1,1 l.
- Sæt drænproppen i.

10.5 Vedligeholdelse af luftfilteret



ADVARSEL! Eksplosionsfare!

Anvend ikke dieselolie eller opløsningsmidler med lavt fordampningspunkt til at rengøre luftfilteret. De kan antændes eller eksplodere.



VIGTIGT! Fare for beskadigelse

Lad aldrig motoren køre uden luftfilter. I modsat fald slides motoren for hurtigt.



BEMÆRK

Hvis luftfilteret er tilsmudset, reduceres luftstrømmen til karburatoren. For at karburatoren fungerer godt, skal du regelmæssigt kontrollere filtertilstanden. Kontrollér den tilsvarende hyppigere, hvis generatoren anvendes i særligt støvede omgivelser.

- Forbered vedligeholdelsesarbejderne, og træk generatoren et stykke ud af kabinettet: Se kapitlet „Forberedelse af vedligeholdelsesarbejder“ på side 166.
- Fjern skrue(r) (fig. **7** 1, side 6) og filterafdækningen (fig. **7** 2, side 6).

- Fjern skruen (fig. **7** 3, side 6).
- Tag luftfilteret (fig. **7** 4, side 6) ud.
Luftfilteret består af to elementer: Et svampefilter og et papirfilter.
- Kontrollér begge filterelementers tilstand omhyggeligt. Udskift beskadigede filterelementer.
- Rengør ubeskadigede filterelementer: Se følgende afsnit.
- Sæt filteret i.
- Skru skruen igen.
- Sæt filterdækslet på.
- Afslut vedligeholdelsesarbejderne: Se kapitlet „Afslutning af vedligeholdelsesarbejder“ på side 166.

Rengøring af svampefilteret

- Vask svampen med en neutral rengøringsmiddelopløsning, og skyl den omhyggeligt.
- Lad svampen tørre fuldstændigt.
- Væd svampen med ren motorolie.
- Tryk den overskydende olie ud.

Rengøring af papirfilteret

- Fjern urenheder fra papiret ved at slå det let på en hård flade flere gange, eller blæs filteret ud indefra og ud med trykluft.
Børst **ikke** papiret af, da smuds derved trænger ind i papirfilterets fibre.
- Udskift papirfilteret, hvis det er meget tilsmudset.

10.6 Vedligeholdelse af tændrøret



VIGTIGT! Fare for beskadigelse

- Spænd tændrøret omhyggeligt. Et tændrør, der ikke er spændt fast, kan blive meget varmt og forårsage skader på motoren.
- Anvend udelukkende tilsvarende tændrør.
- Når du indsætter et nyt tændrør, skal du spænde det med en 1/2 omdrejning, når det sidder fast på spændeskiven. Hvis der anvendes brugte tændrør, er en 1/8 eller en 1/4 drejning tilstrækkelig.

- Forbered vedligeholdelsesarbejderne: Se kapitlet „Forberedelse af vedligeholdelsesarbejder“ på side 166.
- Tag tændrørshætten af.
- Tag tændrøret ud med en tændrørsnøgle.
- Kontrollér tændrøret med en visuel kontrol.
Hvis det er åbenlyst, at tændrøret er slidt eller isolatoren beskadiget eller har revner, skal du udskifte tændrøret.
Hvis tændrøret kun er tilsmudset, skal du rengøre det med en stålbørste.
- Mål afstanden mellem elektroderne med en tykkelsesmåler (fig. 8, side 6). Den skal være 0,7 – 0,8 mm og kan evt korrigeres ved at bøje elektroden.
- Kontrollér, om tændrørstætningen er intakt.
- Skru tændrøret i manuelt for at undgå at beskadige gevindet.
- Spænd tændrøret med en tændrørsnøgle, så spændeskiven trykkes sammen.
- Afslut vedligeholdelsesarbejderne: Se kapitlet „Afslutning af vedligeholdelsesarbejder“ på side 166.

11 Udbedring af fejl

Fejl	Årsag	Udbedring
Når der trykkes på tænd/sluk-tasten, tændes betjeningspanelet ikke.	Startbatteri afladet.	➤ Oplad startbatteriet.
	Sikring (hvis den findes) er udløst.	➤ Kontakt et autoriseret værksted.
Når der trykkes på starttasten, drejer starteren ikke.	Startbatteri afladet.	➤ Oplad startbatteriet.
	Hovedafbryderen står på „0“.	➤ Stil hovedafbryderen på „1“ eller „1“.
	Printkort beskadiget.	➤ Kontakt et autoriseret værksted.
	Starteren forsynes ikke med strøm.	

Fejl	Årsag	Udbedring
Starteren drejer, men generatoren starter ikke.	Ingen benzin.	➤ Påfyld benzin.
	For meget olie i motoren.	➤ Aftap olie.
	Tændrøret får ingen strøm.	➤ Kontrollér de elektriske forbindelser.
	Karburatoren får ingen benzin.	➤ Rengør karburatoren.
	Luftindsugning tilstoppet.	➤ Kontrollér luftfilteret (se kapitlet „Vedligeholdelse af luftfilteret“ på side 167).
	Inverter beskadiget.	➤ Kontakt et autoriseret værksted.
Generatoren har tendens til at frakoble.	For meget olie i motoren.	➤ Aftap olie.
	Last over 6,2 kW.	➤ Sluk forbrugere.
	Karburatoren får ingen benzin.	➤ Rengør karburatoren.
	Luftindsugning tilstoppet.	➤ Kontrollér luftfilteret (se kapitlet „Vedligeholdelse af luftfilteret“ på side 167).
	Inverter beskadiget.	➤ Kontakt et autoriseret værksted.
	Elektromagnet (starter) blokeret.	
	Luftfilter tilsmudset.	➤ Kontrollér luftfilteret (se kapitlet „Vedligeholdelse af luftfilteret“ på side 167).
Brændstoffilteret er tilsmudset.	➤ Udskift brændstoffilteret.	
Generatoren er startet, men skaber ingen spænding.	Inverter beskadiget.	➤ Kontrollér de elektriske forbindelser.
	Omdrejningstal er for lavt.	➤ Kontakt et autoriseret værksted.
Generatoren starter med kraftig acceleration og bliver derefter stående med meldingen „GENERATOR ALERT“.	Stepmotor defekt.	➤ Kontakt et autoriseret værksted.
Den skabte spænding er ustabil.	Inverter beskadiget.	➤ Kontakt et autoriseret værksted.

12 Garanti

Den lovbestemte garantiperiode gælder. Hvis produktet er defekt, skal du kontakte en servicepartner i dit land (se bagsiden).

Vores specialister hjælper gerne videre og diskuterer garantiens videre forløb.

13 Bortskaffelse

► Bortskaf så vidt muligt emballagen sammen med det tilsvarende genbrugsaffald.



Hvis du tager produktet endegyldigt ud af drift, skal du kontakte det nærmeste recyclingcenter eller din faghandel for at få de pågældende forskrifter om bortskaffelse.





Beskyt miljøet!

Genopladelige og ikke genopladelige batterier hører ikke til i husholdningsaffaldet.

Aflever defekte genopladelige batterier og brugte batterier hos forhandleren eller ved et indsamlingssted.

14 Tekniske data

	TEC60EV
Art.nr.:	9102900303
Nominel udgangsspænding:	230 V~ / 50 Hz
Maks. konstant effekt (ved 25 °C på havets overflade):	6200 W
Udgangsspænding batterilader:	12 V===
Maks. udgangsstrøm batterilader:	30 A
Driftstemperaturområde:	-15 °C til +50 °C
Samlet harmonisk forvrængning:	<3 %
Brændstof:	Normalbenzin ROZ 91
Forbrug:	maks. 3,7 l/h
Motoreffekt:	6,6 kW (8,9 PS)
Maks. omdrejningstal:	3600 min ⁻¹
Motorolie:	1,1 l
CO ₂ -værdi:	743 g/kW-hr
Lydniveau:	91 dB(A)
Lydniveau på 7 m afstand:	66 dB(A)
Mål:	se fig. 9 , side 7
Vægt:	110 kg
Godkendelse/certifikat:	 

Denne CO₂-måling stammer fra en test i en fast testcyklus under laboratoriebetin-
gelser med en (ekstern) repræsentativ motor for motortypen (motorserie) og er ikke et
implicit eller eksplicit udtryk for en garanti af en bestemt motors ydeevne.

Läs igenom anvisningarna noga innan produkten tas i drift. Spara bruksanvisningen för senare bruk. Överlämna bruksanvisningen till den nya ägaren vid ev. vidareförsäljning.

Innehållsförteckning

1	Förklaring av symboler	173
2	Säkerhetsanvisningar	174
3	Målgrupp.	176
4	Leveransomfattning.	176
5	Tillbehör	177
6	Ändamålsenlig användning	177
7	Teknisk beskrivning.	177
8	Använda generatorn	179
9	Rengöra generatorn	184
10	Underhåll av generator	184
11	Åtgärder vid störningar.	189
12	Garanti	190
13	Avfallshantering.	190
14	Tekniska data.	191

1 Förklaring av symboler



VARNING!

Säkerhetsanvisning för en farlig situation som, om den inte går att undvika, kan ge upphov till dödsfall eller allvarliga personskador.



AKTA!

Säkerhetsanvisning för en farlig situation som, om den inte går att undvika, kan ge upphov till en lindrig eller måttlig personskada.

**OBSERVERA!**

Anvisning för en situation som, om den inte går att undvika, kan ge upphov till materiella skador.

**ANVISNING**

Kompletterande information om användning av produkten.

2 Säkerhetsanvisningar

Beakta säkerhetsanvisningarna och riktlinjerna från fordonstillverkaren samt reglerna för bilmekaniska arbeten!

Tillverkaren övertar inget ansvar för skador i följande fall:

- skador på produkten orsakade av mekanisk påverkan eller fel anslutnings-spänning
- ändringar som utförts utan uttryckligt medgivande från tillverkaren
- ej ändamålsenlig användning

Detta gäller speciellt följdskador, särskilt sådana följdskador som uppstår p.g.a. att generatoren inte fungerar.

Beakta nedanstående grundläggande säkerhetsanvisningar för elapparater för att förhindra:

- elstötar
- brandfara
- skador.

2.1 Allmän säkerhet



WARNING! Om man underlåter att följa de här varningarna kan följden bli dödsfall eller allvarlig personskada.

Hälsorisk

- Använd endast produkten för angivna ändamål.
- Gör inga ändringar eller ombyggnader på apparaten!

- Installation, underhåll och reparationer av generatoren får endast genomföras av härför utbildad personal, som är förtrogen med riskerna vid hantering av generatoren och känner till de gällande föreskrifterna. Icke fackmässiga reparationer kan medföra allvarliga risker. Vänd dig till tillverkarens filial i ditt land när det gäller reparationer (se baksida).
- Personer (och barn), som på grund av fysiska, sensoriska eller mentala funktionshinder eller på grund av oerfarenhet eller ovetande inte kan använda apparaten på ett säkert sätt, bör inte använda apparaten utan uppsikt eller hjälp av en ansvarig person.

Kvävningsrisk

- Avgaserna innehåller kolmonoxid, som är ett luktlöst, färglöst och mycket giftigt ämne. Andas inte in avgaserna. Låt inte generatorns motor vara igång i ett slutet utrymme som t.ex. ett garage eller ett rum utan fönster.

Elchock

- **Elapparater är inga leksaker!**

I samband med elektriska apparater kan det uppstå farliga situationer som barn är ovetande om. Låt inte barn använda elektriska apparater utan uppsikt.



AKTA! Om man underlåter att följa de här försiktighetsåtgärderna kan följden bli lindrig eller måttlig personskada.

Hälsorisk

- Generatoren får endast användas när luckan är stängd.

Brandrisk

- Avlägsna alla lättantändliga material som bensin, lack, lösningsmedel och liknande från området kring generatoren.
- Se till att inga av de delar på generatoren som blir heta vidrör de lättantändliga materialen.
- Tanka endast generatoren när den är avstängd och befinner sig i ett välventilerat utrymme. Bensin och gasol är mycket brandfarligt och kan explodera.
- Tanka inte generatoren om fordonets motor är igång och tanken är i närheten av generatoren.
- Om bensin spills ut, torka noggrant upp den och vänta med att starta motorn tills ångorna har dunstat.

Elchock

- Vidrör inte generatoren och ledningarna med fuktiga händer.

- Byt endast ut säkringar och termobrytare mot sådana med samma tekniska egenskaper.
- Använd endast apparaten när dess hölje och kablar är oskadade.



OBSERVERA! Risk för sakskador

- Överfyll inte bensintanken. Ingen bensin får finnas i tankens hals. Kontrollera att locket är riktigt stängt.
- Om du måste utföra svetsarbeten på fordonet, lossa alla kablar från elverket för att förhindrar skador på elektroniken.

2.2 Säkerhet under användning



WARNING! Om man underlåter att följa de här varningarna kan följden bli dödsfall eller allvarlig personskada.

Elchock

- Stäng alltid av strömförsörjningen innan arbeten utförs på produkten.

3 Målgrupp

Informationen i bruksanvisningen är avsedd för generatorns användare.

4 Leveransomfattning

Beteckning

Generator TEC60EV

Omkopplingsrelä för prioritetsskoppling

Kontrollpanel

Ljuddämpare

Avgasrör

Fastsättningsmaterial för ljuddämpare

Anslutningskabel

Fastsättningsmaterial

Monteringsanvisning

Bruksanvisning

5 Tillbehör

Följande tillbehör finns tillgängliga (ingår inte i leveransen):

Komponent	Artikelnummer
PR 250133, extern tätningssats	9600025375

6 Ändamålsenlig användning

Generatorm TE60EV är avsedd för användning i husbilar, campingbilar samt kommersiella transportfordon.

Generatorm får **inte** monteras i vattenfordon.

Generatorm alstrar en ren sinusformad växelspänning på 230 V/50 Hz. Till denna kan förbrukare med en total kontinuerlig effekt på 6200 W anslutas.

Ström kvaliteten passar även för känsliga förbrukare (t.ex. hemdatorer).

Generatorm kan användas för att ladda upp ett 12 V-batteri.

7 Teknisk beskrivning

Generatorm består av följande huvudelement (bild **1**, sida 3):

- Strömgenerator med permanentmagneter (**1**)
- Förbränningsmotor (**2**)
- Anslutningsbox (**3**)
- Inverter (**4**)
- Kontrollpanel (**5**)

Förbränningsmotorn (**2**) försätter strömgeneratorn (**1**), som är fäst till förbränningsmotorn, i rotation och den senare alstrar en växelspänning.

Den inre växelriktaren (**4**) formar denna växelspänning till en stabil spänning på 230 V och 50 Hz.

På anslutningsboxen (**3**) bakom dörren har anslutningsklämmorna och huvudbrytaren monterats.

För att styra generatorm används kontrollpanelen (**5**).

Generatorm är försedd med en integrerad batteriladdare för att ladda upp det anslutna batteriet.

Kontrollenhet på generatorm

Generatorms anslutningsbox sitter bakom luckan.

Pos. på bild 2 , sida 3	Beskrivning	
1	Huvudbrytare	Används för att ställa generatorm i lägena driftklar och inaktiverad.
2	Termisk säkring	Löser ut om invertern överhettas (se kapitel "Meddelande på displayen" på sidan 181)

Kontrollenhet på kontrollpanel

Kontrollpanelen är monterad i fordonets inre.

Pos. på bild 3 , sida 4	Beskrivning	
1	Display	Visar statusmeddelanden.
2	På-/avstängningsknapp "⏻"?	Aktiverar och stänger av kontrollpanelen när huvudbrytaren står på "I" resp. "1". Stoppar generatorm i nödfall.
3	Grå knapp "START/STOP"	Startar/stoppar generatorm när kontrollpanelen är aktiverad och huvudbrytaren står på "I" resp. "1".
4	Bensinindikator	Tänds när bensin hämtas från reservtanken.
5	Oljeindikator	Tänds när oljenivån i motorn är för låg.

Displayindikeringar

Pos. på bild 3, sida 4	Beskrivning	
6	Växelspänning	Aktuell utgångsspänning
7	konstant effekt	Aktuell effekt för anslutna förbrukare
8	Drifttimmar	Tid som generatorn är i drift
9	Likspänning	Batteriets laddspänning
10	Meddelanden	Generators statusmeddelande (se kapitel "Meddelande på displayen" på sidan 181)

8 Använda generatorn



OBSERVERA! Risk för saksador

Kör inte generatorn på mer än 70 % av maximal kontinuerlig effekt under de första 50 driftimmarna (inkörningsfas).



ANVISNING

På så sätt kan du optimera generatorns livslängd och effekt:
Kör generatorn med max. 75 % av maximal kontinuerlig effekt inkörningsfasen.

8.1 Grundläggande anvisningar för användning



AKTA! Risk för skador!

Stick inte in fingrarna eller några föremål i luftmunstyckena eller intagsgallret.

Beakta följande anvisningar:

- Kontrollera oljenivån innan varje användning (kapitel "Kontroll av oljenivå" på sidan 183).
- Även små överbelastningar leder på sikt till att generatorn stoppas.
- Låt generatorn vara igång några minuter utan förbrukare innan du stänger av den.
- Kraftiga inbromsningar, accelerationer och kurvtagningar kan orsaka problem i generators pumphsystem och medföra att generatorn stängs av.

- Om du inte använder generatoren under en längre tid, starta den minst en gång var 30:e dag och låt den vara igång minst 15 minuter.

8.2 Ställa generatoren i läget driftklar eller inaktiverad

Huvudbrytaren (bild **2** 1, sida 3) på anslutningsboxen används för att ställa generatoren i läget driftklar eller inaktiverad.

8.3 Aktivera och stänga av kontrollpanelen

På-/avknappen (bild **3** 2, sida 4) på kontrollpanelen används för att aktivera och stänga av kontrollpanelen.

- Aktivera kontrollpanelen med på-/avknappen.
- ✓ Displayen visar: *GEN OFF*.
Displayen stängs av automatiskt efter 5 minuter om startknappen inte trycks ner under denna tid.
Genom att trycka på startknappen kan du aktivera displayen igen.
- ✓ Generatoren kan nu startas.

8.4 Starta generatoren

Generatoren kan endast startas när den har ställts i läget driftklar och när kontrollpanelen är aktiverad.

- Starta generatoren med den grå knappen "START/STOPP" (bild **3** 3, sida 4).

8.5 Stoppa generatoren

- Stoppa generatoren med den grå knappen "START/STOPP" (bild **3** 3, sida 4).
- ✓ Invertern stängs av på en gång. Generatoren fortsätter att vara igång i 30 sekunder för att kyla generatoren. Därefter stoppas generatoren.



OBSERVERA! Risk för sakskador

Stoppa alltid generatoren med den grå knappen "START/STOPP" för att förhindra motorskador. Stäng endast i nödfall av generatoren med den röda huvudbrytaren.

8.6 Meddelande på displayen

På displayen Beskrivning	Generators beteende	Åtgärder
LOW BATTERY Batterispänningen ligger under min.-värdet för startspänning (9 V).	Generatorm startar inte.	Ladda batteriet.
CHECK OIL LEVEL	Generatorm fortsätter att vara igång.	Fyll på oljan (se kapitel "Kontroll av oljenivå" på sidan 183).
OIL CHANGE Förinställt antal drifttimmar för oljebyte har uppnåtts.	Generatorm fortsätter att vara igång.	Byt oljan (se kapitel "Byta olja" på sidan 186) och bekräfta sedan meddelandet genom att hålla in knappen "START/STOP". Starta om generatorm genom att hålla in knappen "START/STOP".
NO FUEL Bensinen hämtas från reservtanken.	Generatorm fortsätter att vara igång.	Tanka.
OIL ALERT Motoroljenivå för låg.	Generatorm stoppas.	Fyll på oljan (se kapitel "Kontroll av oljenivå" på sidan 183).
GENERATOR ALERT! Allmänt larmmeddelande Exempel: Gasspjällets kontrollring från förgasaren (stegmotor) är defekt.	Generatorm stoppas.	Kontrollera systemet med hjälp av tabellen Störningar, orsaker och åtgärder. Vänd dig till tillverkarens filial i ditt land om problemet kvarstår (se baksida).
OVERLOAD! Förbrukarna orsakar en överbelastning vid utgången.	Invertern stängs av och därför avges ingen spänning mer. Motorn fortsätter dock att vara igång tills den stängs av.	Minska den anslutna lasten och starta generatorm på nytt.
SHORT CIRCUIT Förbrukarna orsakar en kortslutning vid utgången.	Invertern stängs av och därför avges ingen spänning mer. Motorn fortsätter dock att vara igång tills den stängs av.	Kontrollera skicket på de anslutna förbrukarna och starta sedan generatorm på nytt.
OVER TEMPERATURE Överhettning	Invertern stängs av och därför avges ingen spänning mer. Motorn fortsätter dock att vara igång för att låta generatorm svalna.	Låt generatorm svalna, vänta ett par minuter och starta sedan generatorm på nytt.

På displayen Beskrivning	Generators beteende	Åtgärder
LOW POWER ENGINE Inverterns försörjningsspänning faller bort.	Generatoren stoppas.	Minska den anslutna lasten och starta generatoren på nytt.
OVERSPEED För högt varvtal	Generatoren stoppas.	Starta om generatoren. Vänd dig till tillverkarens filial i ditt land om problemet kvarstår (se baksida).
START FAILED Exempel: Ingen bensin, kalla temperaturer, defekta tändstift, smutsigt luftfilter	Generatoren stängs av.	Starta om generatoren.
GEN CAL Meddelande som visas när generatoren startas; det visar kalibreringsmeddelandet som föregår varje start. Generatoren avger ingen spänning.	Generatoren roterar men avger ingen spänning.	Vänta ett ögonblick.
GEN WAIT Meddelande som visas i pausen mellan två startförsök.	Generatoren stängs av.	Vänta tills meddelandet försvinner och gör sedan ett nytt tändningsförsök.
GEN ON Normal drift för generatoren.	Normal drift	–
GEN OFF	Generatoren står still och kan startas	–
GEN STOPP	Generatoren är stoppad.	Vänta ett ögonblick.
WAIT COOLING	Motorn körs utan belastning för att kyla systemet.	Vänta ett ögonblick.
INVERTER LOST COMM	Generatoren stoppas.	Kontrollera systemet med hjälp av tabellen Störningar, orsaker och åtgärder. Vänd dig till tillverkarens filial i ditt land om problemet kvarstår (se baksida).
ENGINE LOST COMM	Generatoren stoppas.	Kontrollera systemet med hjälp av tabellen Störningar, orsaker och åtgärder. Vänd dig till tillverkarens filial i ditt land om problemet kvarstår (se baksida).

På displayen Beskrivning	Generatorns beteende	Åtgärder
<i>INVERTER FAILED</i>	Generatorm stoppas.	Vänd dig till tillverkarens filial i ditt land (se baksida).
<i>ENG. PARAM. ERROR</i>	Generatorm stoppas.	Vänd dig till tillverkarens filial i ditt land (se baksida).
<i>INV. PARAM. ERROR</i>	Generatorm stoppas.	Vänd dig till tillverkarens filial i ditt land (se baksida).
<i>SOFTWARE ERROR</i>	Generatorm stoppas.	Vänd dig till tillverkarens filial i ditt land (se baksida).

8.7 Kontroll av oljenivå



AKTA! Risk för personskador

Het olja kan orsaka brännskador.
Kontrollera endast oljenivån när generatorm är avstängd.



ANVISNING

Generatorm måste stå vågrätt.

Kontrollera oljenivån innan varje användning. Tillvägagångssätt:

- Öppna generatorns lucka.
- Använd huvudbrytaren (bild **4** 1, sida 4) och ställ generatorm i läget inaktiv.
- Bryt förbindningen till förbrukarbatteriets pluspol.
- Dra ut mätstickan (bild **4** 2, sida 4) ur påfyllningsröret (bild **4** 3, sida 4).
- Rengör mätstickan (bild **4** 2, sida 4) med en trasa.
- För in mätstickan (bild **4** 2, sida 4) helt i påfyllningsröret (bild **4** 3, sida 4).
- Dra ut mätstickan (bild **4** 2, sida 4) ur påfyllningsröret.
- Kontrollera om oljenivån ligger mellan skåran (max.-nivå) och mätstickans spets.
Om inte, fyll på olja.
- För in mätstickan (bild **4** 2, sida 4) helt i påfyllningsröret (bild **4** 3, sida 4).
- Kontrollera att oljenivån inte ligger över maxnivån.
- Anslut generatorm med förbrukarbatteriets pluspol.
- Använd huvudbrytaren (bild **4** 1, sida 4) och ställ generatorm i läget driftklar.

- Stäng generatorns lucka.

9 Rengöra generatorm



OBSERVERA! Risk för saksador

- Använd inte högtryckstvätt för att rengöra generatorm. Generatorm kan skadas om det kommer in vatten i den.
- Använd inga vassa eller hårda föremål för rengöring, använd inga frätande rengöringsmedel; generatorm kan skadas.
- Använd endast vatten och ett mildt rengöringsmedel för att rengöra generatorm. Använd aldrig bensin, diesel eller lösningsmedel.

- Rengör generatorms hölje då och då med en fuktig trasa.
- Avlägsna regelbundet smuts från generatorms ventilationsöppningar. Se till att generatorms lameller inte skadas.

10 Underhåll av generatorm



ANVISNING

Hitta Dometics servicepartners på internet:
service-location.dometic.com

10.1 Underhållstabell



WARNING!

Låt endast härför utbildad personal som är förtrogen med gällande riktlinjer utföra samtliga typer av underhållsarbeten. Icke fackmässiga underhållsarbeten kan leda till att allvarliga faror uppstår.



ANVISNING

Utför följande underhållsarbeten enligt angivna tidsintervaller eller efter antalet drifttimmar, beroende på vad som kommer först.

Intervall	Kontroll/underhåll
Inom den första månaden eller efter 20 timmar	<ul style="list-style-type: none"> ➤ Byt olja. ➤ Underhåll luftfiltret (kapitel "Underhåll av luftfilter" på sidan 187).
Var 3:e månad eller efter 50 timmar	<ul style="list-style-type: none"> ➤ Underhåll luftfiltret (kapitel "Underhåll av luftfilter" på sidan 187).
Var 6:e månad eller efter 100 timmar	<ul style="list-style-type: none"> ➤ Byt olja. ➤ Underhåll tändstiftet (kapitel "Underhåll tändstiftet" på sidan 188).
En gång per år eller efter var 300:e timme	<ul style="list-style-type: none"> ➤ Underhåll ventilerna. ➤ Underhåll bensintanken och bränslefiltret. ➤ Underhåll vibrationsdämparen.
Vartannat år	<ul style="list-style-type: none"> ➤ Underhåll bensenledningarna.

10.2 Förberedelse av underhållsarbeten



AKTA! Risk för personskador

Observera följande vid alla typer av underhållsarbeten:

- Generatoren får inte vara i drift.
- Alla komponenter måste ha svalnat.

- Öppna generatorns lucka.
- Använd huvudbrytaren (bild **2** 1, sida 3) och ställ generatoren i läget inaktiv.
- Bryt förbindningen till förbrukarbatteriets pluspol.

För underhållsarbeten kan du dra ut generatoren (bild **5**, sida 5):



VARNING! Risk för personskador

Bärrarplatta med generator är mycket tung (> 70 kg) och kan ramla ut ur höljet om du dra ut den för långt.

- Lossa fästskruvarna (1).
- Dra ut bärraplattan (2) med generatorm ur höljet (3).

10.3 Avsluta underhållsarbeten

- Anslut generatorm med förbrukarbatteriets pluspol.
- Använd huvudbrytaren (bild 4 1, sida 4) och ställ generatorm i läget driftklar.
- Stäng generatorms lucka.

10.4 Byta olja

**AKTA! Risk för personskador**

Het olja kan orsaka brännskador.

**OBSERVERA! Risk för sakskador**

Lämna spillolja till platser där oljan avfallshanteras och återvinns på ett korrekt sätt och följ det aktuella landets miljöskyddslagar.

Följande oljor kan användas:

- Olja i klass SAE 5W-30 (kan användas för alla temperaturer)
- Olja med enkelområdesviskositet. Välj lämplig viskositet beroende på genomsnittlig lokal temperatur.

Byte av olja:

- Låt generatorm gå varm i tre till fem minuter så att oljan blir mer flytande och töms snabbt och fullständigt.
- Ställ en lämplig behållare under tömningsskruven (bild 6 1, sida 5).
- Ta bort oljesticka.
- Ta bort tömningsskruven (bild 6 1, sida 5).
- ✓ Oljan töms.
- Fyll på ny olja i oljeröret.
Oljemängden är: 1,1 l.
- Ta bort dräneringstappen.

10.5 Underhåll av luftfilter



VARNING! Explosionsrisk!

Använd varken dieselolja eller lösningsmedel med låg förångningspunkt för att rengöra luftfiltret. Dessa kan antändas eller explodera.



OBSERVERA! Risk för saksador

Låt aldrig motorn vara igång utan luftfilter. Annars nöts motorn snabbt.



ANVISNING

När luftfiltret är smutsigt minskar luftströmmen till förgasaren. För att förgasaren ska fungera som den ska, bör du regelbundet kontrollera filtrets skick. Kontrollera generatoren oftare om den används i dammiga omgivningar.

- Förbered underhållsarbetena och dra ut generatoren ett stycke ur höljet: se kapitel "Förberedelse av underhållsarbeten" på sidan 185.
- Avlägsna skruvarna (bild **7** 1, sida 6) och filterkåpan (bild **7** 2, sida 6).
- Avlägsna skruven (bild **7** 3, sida 6).
- Avlägsna luftfiltret (bild **7** 4, sida 6).
Luftfiltret består av två element: ett svampfilter och ett pappersfilter.
- Kontrollera noggrant skicket på de båda filterelementen. Byt de skadade filterelementen.
- Rengör oskadade filterelement: se följande avsnitt.
- Sätt in filtret.
- Skruva tillbaka skruven.
- Sätt på filterskyddet.
- Avsluta underhållsarbetena: se kapitel "Avsluta underhållsarbeten" på sidan 186.

Rengöring av svampfilter

- Tvätta svampen med en neutral tvättmedelslösning och skölj den noggrant.
- Låt svampen torka helt.
- Sänk ner svampen i ren motorolja.
- Tryck sedan ut överflödiga olja.

Rengöring av pappersfilter

- Lossa papperet genom att upprepade gånger lätt slå på en hård smutsyta eller använd tryckluft och blås igenom filtret inifrån och utåt.
Borsta **inte** av papperet eftersom smutsen i sådana fall tränger in i pappersfiltrets fibrer.
- Byt ut pappersfiltret vid kraftig smuts.

10.6 Underhålla tändstiftet



OBSERVERA! Risk för saksador

- Dra försiktigt åt tändstiftet. Ett tändstift som inte är ordentligt åtdraget kan bli mycket hett och orsaka skador på motorn.
- Använd endast tändstift av samma typ.
- Om du ska sätta i ett nytt tändstift, dra åt detta med ett 1/2 varv när det sitter fast på brickan. Vid tändstift som redan använts räcker det med att dra åt 1/8 eller ett 1/4 varv.

- Förbered underhållsarbetena: se kapitel "Förberedelse av underhållsarbeten" på sidan 185.
- Ta bort tändstiftshatten.
- Dra ut tändstiftet med en tändstiftsnyckel.
- Kontrollera tändstiftet visuellt.
Om tändstiftet uppvisar tydligt slitage eller om isolatorn är skadad eller trasig, byt ut tändstiftet.
Om tändstiftet bara är smutsigt, rengör det med en stålborste.
- Mät avståndet mellan elektroderna med ett bladmått (bild **8**, sida 6). Avståndet måste vara 0,7–0,8 mm och kan vid behov korrigeras genom att böja elektroderna.
- Kontrollera att tändstiftstättningen är intakt.
- Skruva åt tändstiftet för hand för att förhindra att gången skadas.
- Dra åt tändstiftet med en tändstiftsnyckel så att underläggsbrickan pressas samman.
- Avsluta underhållsarbetena: se kapitel "Avsluta underhållsarbeten" på sidan 186.

11 Åtgärder vid störningar

Fel	Orsak	Åtgärd
Kontrollpanelen aktiveras inte när man trycker på på-/avknappen.	Startbatteriet tomt.	➤ Ladda startbatteriet.
	Säkring (om tillgänglig) har löst ut.	➤ Kontakta en auktoriserad verkstad.
Startmotorn går inte runt när man trycker på startknappen.	Startbatteriet tomt.	➤ Ladda startbatteriet.
	Huvudbrytaren står på "0".	➤ Ställ huvudbrytaren på "1" resp. "1".
	Kretskort skadat.	➤ Kontakta en auktoriserad verkstad.
	Startmotorn förses inte med ström.	
Startmotorn går runt med generatorn aktiveras inte.	Ingen bensin.	➤ Fyll på bensin.
	För mycket olja i motorn.	➤ Töm ut olja.
	Tändstiftet får ingen ström.	➤ Kontrollera elkablarna.
	Förgasaren får ingen bensin.	➤ Rengör förgasaren.
	Luftinsug tilltäppt.	➤ Kontrollera luftfiltret (se kapitel "Underhåll av luftfilter" på sidan 187).
	Invertern skadad.	➤ Kontakta en auktoriserad verkstad.
Generatoren tenderar till att stängas av.	För mycket olja i motorn.	➤ Töm ut olja.
	Belastning över 6,2 kW.	➤ Stäng av förbrukaren.
	Förgasaren får ingen bensin.	➤ Rengör förgasaren.
	Luftinsug tilltäppt.	➤ Kontrollera luftfiltret (se kapitel "Underhåll av luftfilter" på sidan 187).
	Invertern skadad.	➤ Kontakta en auktoriserad verkstad.
	Elektromagnet (startmotor) blockerad.	
	Luftfilter smutsigt.	➤ Kontrollera luftfiltret (se kapitel "Underhåll av luftfilter" på sidan 187).
	Bränslefiltret är smutsigt.	➤ Byt bränslefiltret.
Generatoren har startat men alstrar ingen spänning.	Invertern skadad.	➤ Kontrollera elkablarna.
	För lågt varvtal	➤ Kontakta en auktoriserad verkstad.

Fel	Orsak	Åtgärd
Generatorn startar med kraftig acceleration, stannar sedan varpå meddelandet "GENERATOR ALERT" visas.	Stegmotor defekt.	► Kontakta en auktoriserad verkstad.
Den alstrade spänningen är instabil.	Invertern skadad.	► Kontakta en auktoriserad verkstad.

12 Garanti

Den lagstadgade garantitiden gäller. Om produkten är defekt: kontakta en servicepartner i ditt land (se baksida).

Våra specialister står gärna till förfogande och förklarar hur garantiärenden behandlas.

13 Avfallshantering

► Lämna om möjligt förpackningsmaterialet till återvinning.



När produkten slutgiltigt tas ur bruk: informera dig om gällande bestämmelser hos närmaste återvinningscentral eller hos återförsäljaren.



Skydda miljön!

Varken laddningsbara batterier eller andra batterier hör hemma i hushållssoporna.

Lämna dina förbrukade eller defekta (laddningsbara) batterier till återförsäljaren eller till ett samlingsställe.

14 Tekniska data

	TEC60EV
Art.nr:	9102900303
Nominell utgångsspänning:	230 V~ / 50 Hz
Max. kontinuerlig effekt (25 °C vid havsytan):	6200 W
Utgångsspänning, batteriladdare:	12 V===
Max. utström, batteriladdare:	30 A
Omgivningstemperatur:	-15 °C till +50 °C
Total harmonisk distorsion:	<3 %
Bränsle:	Normal bensin ROZ 91
Förbrukning:	max. 3,7 l/h
Motoreffekt:	6,6 kW (8,9 HK)
Max. varvtal:	3 600 min ⁻¹
Motorolja:	1,1 l
CO ₂ -värde:	743 g/kW-hr
Ljudnivå:	91 dB (A)
Ljudnivå på 7 m avstånd:	66 dB (A)
Mått:	se bild 9 , sida 7
Vikt:	110 kg
Provning/certifikat:	 

CO₂-värdena har tagits fram vid testning under en fastställd testcykel vid laboratorieförhållanden då man testat en huvudmaskin som representant för motortypen (motorkategorin) och innebär eller utgör ingen garanti för en viss motors prestanda.

Les bruksanvisningen nøye før du tar i bruk apparatet, og ta vare på den. Hvis produktet selges videre, må du sørge for å gi bruksanvisningen videre også.

Innhold

1	Symbolforklaringer	192
2	Sikkerhetsregler	193
3	Målgruppen for denne veiledningen	195
4	Leveransen omfatter	195
5	Tilbehør	196
6	Tiltenkt bruk	196
7	Teknisk beskrivelse	196
8	Betjene generatoren	198
9	Rengjøre generatoren	203
10	Vedlikeholde generatoren	203
11	Utbedre feil	208
12	Garanti	209
13	Deponering	209
14	Tekniske data	210

1 Symbolforklaringer



ADVARSEL!

Sikkerhetshenvisning til en faresituasjon som kan føre til alvorlige personskader, eventuelt med døden til følge, dersom de ikke blir unngått.



FORSIKTIG!

Sikkerhetshenvisning til en faresituasjon som kan føre til lette eller middels alvorlige personskader, dersom de ikke blir unngått.

**PASS PÅ!**

Henvising til en situasjon som kan føre til tingskader dersom den ikke blir unngått.

**MERK**

Utfyllende informasjon om betjening av produktet.

2 Sikkerhetsregler

Følg rådene og betingelsene som kjøretøyprodusenten og motorvognprodusenten har bestemt!

Produsenten tar i følgende tilfeller intet ansvar for skader:

- Skader på produktet på grunn av mekanisk påvirkning og feil tilkoblingsspenning
- Endringer på produktet uten at det er gitt uttrykkelig godkjenning av produsenten
- Bruk til andre formål enn det som er beskrevet i veiledningen

Produsenten tar ikke ansvar for eventuelle følgeskader, særlig ikke for følgeskader som kan oppstå på grunn av at generatoren svikter.

Overhold følgende grunnleggende sikkerhetsregler ved bruk av elektriske apparater for å beskytte mot:

- Elektrisk støt
- Brannfare
- Skader

2.1 Grunnleggende sikkerhet



ADVARSEL! Manglende overholdelse av disse advarslene kan resultere i alvorlige personskader, eventuelt med døden til følge.

Helsefare

- Bruk apparatet kun til det det er beregnet for.
- Ikke foreta endringer eller ombygging av apparatet!

- Installasjon, vedlikehold og reparasjon av generatoren må kun utføres av fagfolk som kjenner til farene ved håndtering av generatorer og som er kjent med gjeldende forskrifter. Feil reparasjoner kan føre til betydelige skader. Ved behov for reparasjon kontakter du produsentens filial i ditt land (se siste side).
- Personer (inklusive barn) som på grunn av sine fysiske, sensoriske eller mentale ferdigheter eller på grunn av sin uerfarenhet eller manglende kjennskap ikke er i stand til å bruke apparatet, må ikke bruke dette apparatet uten oppsyn eller anvisning fra en ansvarlig person.

Kvelningsfare

- Avgassene inneholder karbonmonoksid, en meget giftig, luktfri og fargeløs gass. Ikke pust inn avgassene! Ikke la generatorens motor gå i en lukket garasje eller i et rom uten vindu.

Elektrisk støt

- **Elektriske apparater er ikke beregnet for barn!**

Barn er ikke i stand til å bedømme farer forbundet med elektriske apparater. La ikke barn bruke elektriske apparater uten tilsyn.



FORSIKTIG! Manglende overholdelse av disse forsiktighetsvarslene kan resultere i mindre til moderate personskader.

Helsefare

- Generatoren må kun brukes med lukket deksel.

Brannfare

- Fjern alle lettantennelige materialer som bensin, lakk, løsemidler osv. i nærheten av generatoren.
- Forsikre deg om at ingen varme deler på generatoren kommer i kontakt med lettantennelige materialer.
- Fyll drivstoff på generatoren kun når den er avslått og på et godt ventilert sted. Bensin og flytende gass er meget lettantennelig og kan eksplodere.
- Ikke fyll generatoren når kjøretøymotoren er på hvis tanken befinner seg i nærheten av generatoren.
- Hvis du søler bensin, må du tørke det opp og vente til dampen har lagt seg før du slår på motoren.

Elektrisk støt

- Ikke ta i generatoren og ledningene med fuktige hender.
- Bytt sikringene eller termobryteren kun med slike som har samme tekniske spesifikasjoner.

- Bruk apparatet kun når kapslingen og ledningene er uskadd.



PASS PÅ! Fare for skade

- Ikke fyll bensintanken for full. Det må ikke være bensin i halsen på tanken. Kontroller om lokket er riktig lukket.
- Dersom det må gjennomføres sveisearbeider på kjøretøyet må alle kabler kobles fra generatoren, ellers kan elektronikken ta skade.

2.2 Sikkerhet ved bruk av apparatet



ADVARSEL! Manglende overholdelse av disse advarslene kan resultere i alvorlige personskader, eventuelt med døden til følge.

Elektrisk støt

- Ved arbeid på apparatet må man alltid avbryte strømforsyningen.

3 Målgruppen for denne veiledningen

Denne bruksanvisningen henvender seg til brukeren av generatoren.

4 Leveransen omfatter

Betegnelse

Generator TEC60EV

Omkoblingsrelé for å realisere en prioritetskobling

Betjeningspanel

Lyddemper

Avgassledning

Festemateriell for lyddemper

Tilkoblingskabel

Festemateriell

Montasjeveiledning

Bruksanvisning

5 Tilbehør

Tilgjengelig som tilbehør (ikke inkludert i leveransen):

Delebeskrivelse	Artikkelnummer
PR 250133, eksternt tetningssett	9600025375

6 Tiltenkt bruk

Generatoren TEC60EV er beregnet for bruk i bobiler, campingbiler og kommersielle kjøretøy.

Generatoren er **ikke** egnet for installasjon i båter.

Generatoren genererer en sinus-vekselspenning på 230 V/50 Hz, som forbrukerne kan kobles til med en samlet permanent belastning på 6200 W.

Strømkvaliteten er også egnet for følsomme forbrukere (f.eks. PC-er).

Generatoren kan lade opp et 12 V-batteri.

7 Teknisk beskrivelse

Generatoren består av følgende hovedelementer (fig. **1**, side 3):

- Strømgenerator med permanentmagneter (**1**)
- Forbrenningsmotor (**2**)
- Tilkoblingsboks (**3**)
- Inverter (**4**)
- Betjeningspanel (**5**)

Forbrenningsmotoren (**2**) setter strømgeneratoren som er fast tilkoblet til den (**1**) i rotasjon, og denne genererer en vekselspanning.

Den interne vekselretteren (**4**) omformer denne vekselstrømspanningen til en stabil spenning på 230 V og 50 Hz.

På tilkoblingsboksen (**3**) bak døren er tilkoblingsklemmene og hovedbryteren plassert.

Betjening skjer via et betjeningspanel (**5**).

Generatoren har en integrert batterilader for lading av det tilkoblede batteriet.

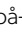
Betjeningsselementer på generatoren

Tilkoblingsboksen til generatoren er plassert bak dekslet.

Pos. i fig. 2, side 3	Beskrivelse	
1	Hovedbryter	Kobler generatoren driftsklar eller uten funksjoner.
2	Termisk sikring	Utløses ved overoppheting av inverteren (se kapittel «Displaymeldinger» på side 200)

Betjeningsselementer på betjeningspanelet

Betjeningspanelet er plassert inne i kjøretøyet.

Pos. i fig. 3, side 4	Beskrivelse	
1	Display	Indikerer statusmeldinger.
2	Av-/på-bryter «  »?	Slår betjeningspanelet av og på når hovedbryteren står på «I» hhv. «1». Stopper generatoren i en nødssituasjon.
3	Grå tast «START/STOPP»	Starter/stopper generatoren når betjeningspanelet er slått på og hovedbryteren står på «I» hhv. «1».
4	Bensinindikering	Lyser når bensinen står på reserve.
5	Oljeindikering	Lyser når oljenivået i motoren er for lavt.

Displayindikeringer

Pos. i fig. 3, side 4	Beskrivelse	
6	Vekselspenning	Aktuell utgangsspenning
7	Permanent effekt	Aktuell effekt til de tilkoblede forbrukerne
8	Driftstimer	Tiden generatoren er i drift
9	Likespenning	Batteriets ladespenning
10	Meldinger	Generatorens statusmelding (se kapittel «Displaymeldinger» på side 200)

8 Betjene generatoren



PASS PÅ! Fare for skade

De 50 første driftstimerne (innkjøringsfasen) må ikke generatoren belastes over 70 % av maks. permanent effekt.



MERK

Slik kan du øke generatorens levetid og optimalisere effekten til den: Belast generatoren maksimalt med en belastning på ca. 75 % av maks. permanent effekt etter innkjøringsfasen.

8.1 Grunnleggende betjeningsanvisninger



FORSIKTIG! Fare for personskader!

Ikke stikk fingre eller gjenstander inn i luftdysene eller innsugingsgitteret.

Følg disse rådene:

- Kontroller oljenivået hver gang før bruk (kapittel «Kontrollere oljenivået» på side 202).
- Også små overbelastninger fører over tid til at generatoren stopper.
- La generatoren gå i noen minutter etter bruk uten forbruker før du stopper den.
- Kraftig nedbremsing og akselerasjon av kjøretøyet og kjøring i kurver kan fremkalle problemer i generatorens pumpesystem og føre til uønsket utkobling.

- Hvis du ikke bruker generatoren på lang tid, må du starte den minst én gang hver 30. dag og la den gå i minst 15 minutter.

8.2 Koble generatoren driftsklar eller funksjonsløs

Generatoren kobles driftsklar eller funksjonsløs med hovedbryteren (fig. **2** 1, side 3) på koblingsboksen.

8.3 Slå betjeningspanelet av og på

Betjeningspanelet slås av og på med av-/på-bryteren (fig. **3** 2, side 4) på betjeningspanelet.

- ▶ Slå på betjeningspanelet med av-/på-bryteren.
- ✓ Displayet viser: *GEN OFF*.
Displayet slår seg av automatisk etter 5 minutter hvis Startknappen ikke betjenes i løpet av denne tiden.
Du kan slå på displayet igjen ved å trykke på Startknappen.
- ✓ Nå kan du starte generatoren.

8.4 Starte generatoren

Generatoren kan kun startes når den er koblet driftsklar og når betjeningspanelet er slått på.

- ▶ Start generatoren med den grå tasten "START/STOPP" (fig. **3** 3, side 4).

8.5 Stoppe generatoren

- ▶ Stopp generatoren med den grå tasten "START/STOPP" (fig. **3** 3, side 4).
- ✓ Inverteren slår seg av med en gang. Generatoren går videre i 30 sekunder for å avkjøle generatoren, deretter stopper også generatoren.



PASS PÅ! Fare for skade

Stans alltid generatoren med den grå tasten "START/STOPP" for å unngå motorskader. Koble ut generatoren med den røde hovedbryteren kun i en nødsituasjon.

8.6 Displaymeldinger

Displaymelding Beskrivelse	Generatorens egenskaper	Tiltak
LOW BATTERY Batterispenningen har sunket under minimumsverdien for å utføre startforsøk (9 V).	Generatoren starter ikke.	Lad batteri.
CHECK OIL LEVEL	Generatoren fortsetter å gå.	Etterfyll olje (se kapittel «Kontrollere oljenivået» på side 202).
OIL CHANGE Driftstimetellingen har nådd den foreskrevne verdien for skifte av motorolje.	Generatoren fortsetter å gå.	Skift olje (se kapittel «Skifte olje» på side 205), bekreft deretter meldingen ved å holde inne knappen «START/STOPP». Start generatoren på nytt ved å fortsette å holde knappen «START/STOPP» inne.
NO FUEL Bensinen i tanken står på Reserve.	Generatoren fortsetter å gå.	Fyll drivstoff.
OIL ALERT Motorolje mangler.	Generatoren stopper.	Etterfyll olje (se kapittel «Kontrollere oljenivået» på side 202).
GENERATOR ALERT! Generell alarmmelding Eksempel: Kontrollringen på strupespjeldet fra forgasseren (trinnmotor) er defekt.	Generatoren stopper.	Kontroller systemet ved hjelp av tabellen Feil, Årsaker og Tiltak. Hvis problemet vedvarer, kontakter du produsentens filial i ditt land (se siste side).
OVERLOAD! Forbrukerne genererer en overbelastning ved utgangen.	Inverteren slås av, derfor avgis det ingen spenning lenger, men motoren fortsetter å gå til den stopper.	Reduser den tilkoblede lasten og start generatoren på nytt.
SHORT CIRCUIT Forbrukerne genererer en kortslutning ved utgangen.	Inverteren slås av, derfor avgis det ingen spenning lenger, men motoren fortsetter å gå til den stopper.	Kontroller tilstanden til de tilkoblede forbrukerne, start deretter generatoren på nytt.
OVER TEMPERATURE Overoppheting	Inverteren slås av, derfor avgis det ingen spenning lenger, men motoren fortsetter å gå for å avkjøle generatoren.	La generatoren bli kald, vent et par minutter, start deretter generatoren på nytt.

Displaymelding Beskrivelse	Generatorens egenskaper	Tiltak
<i>LOW POWER ENGINE</i> Fall i tilførselsspenningen til inverteren.	Generatoren stopper.	Reduser den tilkoblede lasten og start generatoren på nytt.
<i>OVERSPEED</i> For høyt turtall	Generatoren stopper.	Start generatoren på nytt. Hvis problemet vedvarer, kontakter du produsentens filial i ditt land (se siste side).
<i>START FAILED</i> Eksempel: Ingen bensin, lave temperaturer, defekte tennplugg-er, tilsmusset luftfilter	Generatoren er slått av.	Start generatoren på nytt.
<i>GEN CAL</i> Melding som vises når generatoren startes. Den indikerer kalibreringsfasen som skjer før hver start. Generatoren avgir ingen spenning ennå.	Generatoren går rundt, men den genererer ingen spenning.	Vent et øyeblikk.
<i>GEN WAIT</i> Melding som vises i pausen mellom to startforsøk.	Generatoren er slått av.	Vent til meldingen forsvinner, forsøk deretter å starte på nytt.
<i>GEN ON</i> Normal drift av generatoren.	Normal drift	–
<i>GEN OFF</i>	Generatoren står stille og kan ikke startes	–
<i>GEN STOPP</i>	Generatoren er stanset.	Vent et øyeblikk.
<i>WAIT COOLING</i>	Motoren går uten belastning for å kjøle ned systemet.	Vent et øyeblikk.
<i>INVERTER LOST COMM</i>	Generatoren stopper.	Kontroller systemet ved hjelp av tabellen Feil, Årsaker og Tiltak. Hvis problemet vedvarer, kontakter du produsentens filial i ditt land (se siste side).
<i>ENGINE LOST COMM</i>	Generatoren stopper.	Kontroller systemet ved hjelp av tabellen Feil, Årsaker og Tiltak. Hvis problemet vedvarer, kontakter du produsentens filial i ditt land (se siste side).

Displaymelding Beskrivelse	Generatorens egenskaper	Tiltak
<i>INVERTER FAILED</i>	Generatoren stopper.	Kontakt produsentens filial i ditt land (se siste side).
<i>ENG. PARAM. ERROR</i>	Generatoren stopper.	Kontakt produsentens filial i ditt land (se siste side).
<i>INV. PARAM. ERROR</i>	Generatoren stopper.	Kontakt produsentens filial i ditt land (se siste side).
<i>SOFTWARE ERROR</i>	Generatoren stopper.	Kontakt produsentens filial i ditt land (se siste side).

8.7 Kontrollere oljenivået



FORSIKTIG! Fare for personskader

Varm olje kan medføre forbrenninger.
Kontroller oljenivået kun med generatoren avslått.



MERK

Generatoren må stå vannrett.

Kontroller oljenivået hver gang før bruk. Gå fram på følgende måte:

- Åpne dekslet på generatoren.
- Koble generatoren funksjonsløs med hovedbryteren (fig. 4 1, side 4).
- Koble fra forbindelsen til tilførselsbatteriets plusspol .
- Trekk peilepinnen (fig. 4 2, side 4) ut av påfyllingsstussen (fig. 4 3, side 4).
- Rengjør peilepinnen (fig. 4 2, side 4) med en klut.
- Stikk peilepinnen (fig. 4 2, side 4) helt inn i påfyllingsstussen (fig. 4 3, side 4).
- Trekk peilepinnen (fig. 4 2, side 4) ut av påfyllingsstussen.
- Kontroller om oljenivået ligger mellom hakket (maks. fyllenivå) og spissen på peilepinnen.
Hvis dette ikke er tilfelle, må du etterfylle olje.
- Stikk peilepinnen (fig. 4 2, side 4) helt inn i påfyllingsstussen (fig. 4 3, side 4).
- Kontroller at oljenivået ikke ligger over maks. påfyllingsnivå.
- Koble generatoren til tilførselsbatteriets plusspol.

- Koble generatoren driftsklar med hovedbryteren (fig. 4 1, side 4).
- Lukk dekslet på generatoren.

9 Rengjøre generatoren



PASS PÅ! Fare for skade

- Ikke rengjør generatoren med høytrykksspyler. Vann som trenger inn kan skade generatoren.
- Ikke bruk skarpe eller harde gjenstander eller rengjøringsmidler til rengjøring, da det kan skade generatoren.
- Til rengjøring av generatoren må det kun benyttes vann med et mildt rengjøringsmiddel. Ikke bruk bensin, diesel eller løsemidler.

- Rengjør generatorhuset av og til med en fuktig klut.
- Fjern regelmessig smuss fra generatorens ventilasjonsåpninger. Pass på at generatorens lameller ikke blir skadet.

10 Vedlikeholde generatoren



MERK

Finn din Dometic servicepartner på internett:
service-location.dometic.com

10.1 Vedlikeholdstabell



ADVARSEL!

Alt vedlikeholdsarbeid skal kun utføres av fagfolk som kjenner gjeldende forskrifter. Feil utført vedlikeholdsarbeid kan føre til betydelige skader.



MERK

Sørg for at følgende vedlikeholdsarbeid utføres med angitte intervaller eller etter angitte driftstimer, avhengig av hva som inntreffer først.

Intervall	Kontroll/vedlikehold
I første måned eller etter 20 timer.	<ul style="list-style-type: none"> ➤ Skift olje. ➤ Sørg for at luftfilteret vedlikeholdes (kapittel «Vedlikeholde luftfilter» på side 206).
Hver 3. måned eller etter 50 timer	<ul style="list-style-type: none"> ➤ Sørg for at luftfilteret vedlikeholdes (kapittel «Vedlikeholde luftfilter» på side 206).
Hver 6. måned eller etter 100 timer	<ul style="list-style-type: none"> ➤ Skift olje. ➤ Sørg for at tennpluggene vedlikeholdes (kapittel «Vedlikeholde tennplugg» på side 207).
Hvert år eller hver 300. time	<ul style="list-style-type: none"> ➤ Få ventilene vedlikeholdt. ➤ Sørg for at bensintanken og drivstoffilteret blir vedlikeholdt. ➤ Få vibrasjonsdempere vedlikeholdt.
Hvert 2. år	<ul style="list-style-type: none"> ➤ Sørg for at bensinslangene vedlikeholdes.

10.2 Forberede vedlikeholdsarbeid



FORSIKTIG! Fare for personskader

Ved alt vedlikeholdsarbeid må man være oppmerksom på følgende:

- Generatoren må ikke være i drift.
- Alle delene må være avkjølt.

- Åpne dekslet på generatoren.
- Koble generatoren funksjonsløs med hovedbryteren (fig. **2** 1, side 3).
- Koble fra forbindelsen til tilførselsbatteriets plusspol .

For vedlikeholdsarbeid kan generatoren trekkes ut (fig. **5** , side 5):



ADVARSEL! Fare for personskader

Festeplaten med generator er svært tung (> 70 kg) og kan falle ut av dekslet hvis du trekker den for langt ut.

- Løsne festeskruene (**1**).
- Trekk festeplaten (**2**) med generatoren ut av kapslingen (**3**).

10.3 Avslutte vedlikeholdsarbeidet

- Koble generatoren til tilførselsbatteriets plusspol.
- Koble generatoren driftsklar med hovedbryteren (fig. **4** 1, side 4).
- Lukk dekslet på generatoren.

10.4 Skifte olje



FORSIKTIG! Fare for personskader

Varm olje kan medføre forbrenninger.



PASS PÅ! Fare for skade

Gammel olje skal leveres til spesialfirmaer for deponering eller gjenvinning, følg lovene i det aktuelle landet for å beskytte miljøet.

Du kan bruke følgende oljer:

- Olje i klasse SAE 5W-30 (kan brukes ved alle temperaturer).
- Olje med ettområdes viskositet.
Velg egnet viskositet avhengig av gjennomsnittstemperaturen på stedet.

Slik skifter du olje:

- La generatoren gå og bli varm i tre til fem minutter, slik at oljen blir mer flytende og renner raskere og helt ut.
- Sett en egnet beholder under tappeskruen (fig. **6** 1, side 5).
- Ta ut oljepeilepinnen.
- Ta av tappeskruen (fig. **6** 1, side 5).
- ✓ Oljen renner ut.
- Fyll fersk olje i oljestussene.
Oljemengden er: 1,1 l.
- Sett inn tappepluggen.

10.5 Vedlikeholde luftfilter



ADVARSEL! Eksplosjonsfare!

Ikke bruk dieselolje eller løsemidler med lavt fordampingspunkt til å rengjøre luftfilteret. Disse kan antenne og eksplodere.



PASS PÅ! Fare for skade

La aldri motoren gå uten luftfilter. Hvis man ikke passer på dette, blir motoren raskt utslitt.



MERK

Når luftfilteret er skittent, blir luftstrømmen til forgasseren redusert. For at forgasseren skal fungere tilfredsstillende, må man kontrollere filteret regelmessig. Kontroller det oftere hvis generatoren brukes i svært støvete omgivelser.

- Forbered vedlikeholdsarbeidet og trekk generatoren et stykke ut av kapslingen: se kapittel «Forberede vedlikeholdsarbeid» på side 204.
- Fjern skruene (fig. **7** 1, side 6) og filterdekslet (fig. **7** 2, side 6).
- Fjern skruen (fig. **7** 3, side 6).
- Ta ut luftfilteret (fig. **7** 4, side 6).
Luftfilteret består av to elementer: Et svampfilter og et papirfilter.
- Kontroller begge filterelementene nøye. Skift de skadede filterelementene.
- Rengjør de skadede filterelementene: se følgende avsnitt.
- Sett inn filteret.
- Sett inn igjen skruen.
- Sett filterlokket på.
- Avslutt vedlikeholdsarbeidet: se kapittel «Avslutte vedlikeholdsarbeidet» på side 205.

Rengjøre svampfilteret

- Vask svampen med en nøytral vaskemiddelløsning og skyll den ren.
- La svampen tørke helt.
- Fukt svampen med ren motorolje.
- Press ut overskytende olje.

Rengjøre papirfilter

- Fjern smuss fra papiret ved å slå gjentatte ganger på en hard flate eller blås ut filteret innenfra og ut med pressluft.
Ikke børst av papiret for da vil smuss trenge inn i fibre til papirfilteret.
- Bytt papirfilteret når det er svært skittent.

10.6 Vedlikeholde tennplugger



PASS PÅ! Fare for skade

- Skru fast tennpluggene. Tennplugg som ikke er skrudd fast, kan bli svært varme og forårsake skader på motoren.
- Bruk kun likeverdige tennplugg.
- Når du setter inn en ny tennplugg, skrur du den fast en 1/2 omdreining til den sitter fast på mellomleggsskiven. Hvis man bruker brukte tennplugg, er det tilstrekkelig med en 1/8 eller 1/4 omdreining.

- Forberede vedlikeholdsarbeid: se kapittel «Forberede vedlikeholdsarbeid» på side 204.
- Ta av tennpluggkontakten.
- Ta ut tennpluggene med en tennpluggnøkkel.
- Kontroller tennpluggene visuelt.
Hvis tennpluggene er tydelig slitt eller isolasjonen er skadet eller brukket, skifter du tennpluggene.
Hvis tennpluggene bare er skitne, rengjør du dem med en stålborste.
- Mål avstanden mellom elektrodene med en tykkelsesmåler (fig. 8, side 6). Den må være mellom 0,7 – 0,8 mm og kan evt. korrigeres ved å bøye elektroden.
- Kontroller om tennpluggtettingen er intakt.
- Skru inn tennpluggene for hånd for å unngå å skade gjengen.
- Trekk til tennpluggene med en tennpluggnøkkel slik at underlagsskiven blir sammentrykket.
- Avslutt vedlikeholdsarbeidet: se kapittel «Avslutte vedlikeholdsarbeidet» på side 205.

11 Utbedre feil

Feil	Årsak	Tiltak
Betjeningspanelet slår seg ikke på når man trykker på av/på-bryteren.	Starterbatteriet er tomt.	➤ Lad opp starterbatteriet.
	Sikring (hvis relevant) har utløst.	➤ Ta kontakt med et autorisert verksted.
Starteren går ikke rundt når man trykker på Startknappen.	Starterbatteriet er tomt.	➤ Lad opp starterbatteriet.
	Hovedbryteren står på «0».	➤ Sett hovedbryteren på «I» hhv. «1».
	Kretskortet skadet.	➤ Ta kontakt med et autorisert verksted.
	Starteren forsynes ikke med strøm	
Starteren går rundt, men generatoren starter ikke.	Ikke bensin.	➤ Fyll bensin.
	For mye olje i motoren.	➤ Tapp av olje.
	Tennpluggene får ikke strøm.	➤ Kontroller de elektriske forbindelsene.
	Forgasseren får ikke bensin.	➤ Rengjør forgasseren.
	Luftinnsugingen er blokkert.	➤ Kontroller luftfilteret (se kapittel «Vedlikeholde luftfilter» på side 206).
	Inverteren er skadet.	➤ Ta kontakt med et autorisert verksted.
Generatoren har en tendens til å stoppe.	For mye olje i motoren.	➤ Tapp av olje.
	Last over 6,2 kW.	➤ Slå av forbrukeren.
	Forgasseren får ikke bensin.	➤ Rengjør forgasseren.
	Luftinnsugingen er blokkert.	➤ Kontroller luftfilteret (se kapittel «Vedlikeholde luftfilter» på side 206).
	Inverteren er skadet.	➤ Ta kontakt med et autorisert verksted.
	Elektromagnet (starter) blokkert.	
	Luftfilter skittent.	➤ Kontroller luftfilteret (se kapittel «Vedlikeholde luftfilter» på side 206).
	Drivstoffilteret er skittent.	➤ Skift ut drivstoffilteret.
Generatoren har startet, men den genererer ingen spenning.	Inverteren er skadet.	➤ Kontroller de elektriske forbindelsene.
	For lavt turtall.	➤ Ta kontakt med et autorisert verksted.

Feil	Årsak	Tiltak
Generatoren starter med kraftig akselerasjon og blir stående med meldingen «GENERATOR ALERT».	Defekt trinnmotor.	► Ta kontakt med et autorisert verksted.
Den genererte spenningen er ustabil.	Inverteren er skadet.	► Ta kontakt med et autorisert verksted.

12 Garanti

Lovmessig garantitid gjelder. Hvis produktet skulle være defekt, sender du det til en servicepartner i ditt land (se siste side).

Våre spesialister hjelper deg gjerne, og avtaler garantiens videre forløp med deg.

13 Deponering

► Lever emballasje til resirkulering så langt det er mulig.



Når du tar produktet ut av drift for siste gang, må du sørge for å få informasjon om deponeringsforskrifter hos nærmeste resirkuleringsstasjon eller hos din faghandler.





Bevar miljøet!

Batterier hører ikke hjemme i husholdningsavfallet.

Lever defekte eller brukte batterier enten til forhandleren eller på en oppsamlingsstasjon.

14 Tekniske data

	TEC60EV
Art.nr.:	9102900303
Nominell utgangsspenning:	230 V~ / 50 Hz
Maks. permanent effekt (ved 25 °C ved havnivå):	6200 W
Utgangsspenning batterilader:	12 V===
Maks. utgangsstrøm batterilader:	30 A
Driftstemperaturområde:	-15 °C til +50 °C
Total harmonisk forvrenging:	<3 %
Drivstoff:	Normalbensin ROZ 91
Forbruk:	maks. 3,7 l/h
Motoreffekt:	6,6 kW (8,9 PS)
Maks. turtall:	3600 min ⁻¹
Motorolje:	1,1 l
CO ₂ -verdi:	743 g/kW-hr
Lydtrykknivå:	91 dB(A)
Lydtrykknivå på 7 m avstand:	66 dB(A)
Mål:	se fig. 9 , side 7
Vekt:	110 kg
Test/sertifikat:	 

Denne CO₂-målingen er et resultat av testing av en (overordnet) motor av en motor-type (motorfamilie) i en fast syklus under laboratoriebetingelser, og innebærer eller uttrykker ikke noen garanti for ytelsen til en bestemt motor.

Lue tämä ohje huolellisesti läpi ennen käyttöönottoa ja säilytä ohje hyvin. Jos myyt tuotteen eteenpäin, anna ohje tällöin edelleen uudelle käyttäjälle.

Sisällysluettelo

1	Symbolien selitykset	211
2	Turvallisuusohjeet	212
3	Tämän käyttöohjeen kohderyhmä	214
4	Toimituskokonaisuus	214
5	Lisävarusteet	215
6	Tarkoituksenmukainen käyttö	215
7	Tekninen kuvaus	215
8	Generaattorin käyttö	217
9	Generaattorin puhdistaminen	223
10	Generaattorin huoltaminen	223
11	Häiriöiden poistaminen	228
12	Tuotevastuu	229
13	Hävittäminen	229
14	Tekniset tiedot	230

1 Symbolien selitykset



VAROITUS!

Turvallisuusohje koskien vaaratilannetta, joka voi johtaa kuolemaan tai vakavaan vammaan, jos tilannetta ei vältetä.



HUOMIO!

Turvallisuusohje koskien vaaratilannetta, joka voi johtaa lievään tai kohtalaiseen vammaan, jos tilannetta ei vältetä.

**HUOMAUTUS!**

Ohje koskien tilannetta, joka voi johtaa esinevahinkoihin, jos sitä ei vältetä.

**OHJE**

Tuotteen käyttöä koskevia lisätietoja.

2 Turvallisuusohjeet

Noudata ajoneuvovalmistajan ja autoalan ammattiipiirien antamia turvallisuusohjeita ja vaatimuksia!

Valmistaja ei ota mitään vastuuta vahingoista seuraavissa tapauksissa:

- laite on vaurioitunut mekaanisten tekijöiden vaikutuksesta ja väärän liitäntäjännitteen vuoksi
- tuotteeseen ilman valmistajan nimenomaista lupaa tehdyt muutokset
- käyttö muuhun kuin käyttöohjeessa ilmoitettuun tarkoitukseen

Se ei vastaa erityisesti minkäänlaisista seurannaisvahingoista, erityisesti seurannaisvahingoista, jotka voivat syntyä generaattorin toimimattomuuden takia.

Noudata seuraavia perustavia turvatoimenpiteitä käyttäessäsi sähköllä toimivia laitteita. Tämä suojelee sinua:

- sähköiskulta
- palovaaralta
- loukkaantumiselta

2.1 Perusturvallisuus



VAROITUS! Näiden varoitusten noudattamatta jättäminen voi johtaa kuolemaan tai vakavaan vammaan.

Terveysriski

- Käytä laitetta ainoastaan sen määräysten mukaiseen tarkoitukseen.
- Älä tee laitteeseen mitään muutoksia!

- Generaattorin saavat asentaa ja sitä saavat huoltaa ja korjata vain ammattimiehet, jotka tuntevat generaattorien käsittelyyn liittyvät vaarat sekä vastaavat määräykset. Epäasianmukaisista korjauksista saattaa aiheutua huomattavia vaaroja. Käänny valmistajan omassa maassasi sijaitsevan toimipisteen puoleen, jos laite tarvitsee korjausta (katso takasivua).
- Henkilöiden (mukaan lukien lapset), jotka eivät voi käyttää laitetta turvallisesti fyysisten, sensoristen tai psyykkisten taitojensa vuoksi tai kokemattomuuden tai tietämättömyyden vuoksi, ei tulisi käyttää laitetta ilman valvontaa tai vastuullisen henkilön ohjeita.

Tukehtumisvaara

- Pakokaasut sisältävät hiilimonoksidia, joka erittäin myrkyllinen, hajuton ja väritön kaasu. Älä hengitä pakokaasuja. Älä anna generaattorin moottorin käydä suljetussa autotallissa tai ikkunattomassa tilassa.

Sähköisku

- **Sähkölaitteet eivät ole lasten leluja!**

Lapset eivät osaa arvioida sähkölaitteista aiheutuvia vaaroja oikein. Älä anna lasten käyttää sähkölaitteita ilman valvontaa.



HUOMIO! Näiden varoitusten noudattamatta jättäminen voi johtaa vähäiseen tai kohtalaiseen vammaan.

Terveysriski

- Generaattoria saa käyttää vain, kun luukku on suljettuna.

Palovaara

- Poista generaattorin läheltä kaikki helposti palavat materiaalit kuten bensiini, maalit, liuotainaineet jne.
- Varmista, että generaattorin mitkään kuumenevat osat eivät joudu kosketuksiin helposti palavien materiaalien kanssa.
- Tankkaa generaattori vain, kun se on pois päältä ja tila on hyvin tuuletettu. Bensiini ja nestekaasu syttyvät erittäin herkästi ja voivat räjähtää.
- Älä tankkaa generaattoria, kun ajoneuvon moottori on käynnissä, jos säiliö sijaitsee generaattorin lähellä.
- Jos bensiiniä roiskuu, pyyhi se hyvin pois ja odota, että höyryt ovat haihtuneet ennen kuin kytket moottorin päälle.

Sähköisku

- Älä kosketa generaattoria tai johtimia kosteilla käsillä.
- Vaihda sulakkeet tai lämpökytkimet vain sellaisiin, joiden tekniset tiedot ovat samanlaiset kuin alkuperäisissä.

- Käytä laitetta vain, kun laitteen kotelossa ja johtimissa ei ole vaurioita.



HUOMAUTUS! Vaurioitusvaara

- Älä täytä bensiinisäiliötä liian täyteen. Säiliön kaulassa ei saa olla bensiiniä. Tarkasta, onko korkki suljettu kunnolla.
- Jos ajoneuvoa täytyy hitsata, irrota generaattorin kaikki johdot; muuten elektroniikka voi vaurioitua.

2.2 Laitteen käyttöturvallisuus



VAROITUS! Näiden varoitusten noudattamatta jättäminen voi johtaa kuolemaan tai vakavaan vammaan.

Sähköisku

- Katkaise virransyöttö aina laitetta koskevien töiden ajaksi.

3 Tämän käyttöohjeen kohderyhmä

Tämä käyttöohje on tarkoitettu generaattorin käyttäjälle.

4 Toimituskokonaisuus

Nimitys

Generaattori TEC60EV

Vaihtorele ensisijaiskytkennän toteuttamista varten

Käyttöpaneeli

Äänenvaimennin

Pakokaasujohdin

Äänenvaimentimen kiinnitysmateriaali

Liitäntäjohto

Kiinnitysmateriaali

Asennusohje

Käyttöohje

5 Lisävarusteet

Saatavissa lisävarusteena (ei sisälly toimituskokonaisuuteen):

Osan nimitys	Tuotenumero
PR 250133, ulkoinen tiivistesarja	9600025375

6 Tarkoituksenmukainen käyttö

Generaattori TEC60EV on suunniteltu käytettäväksi asuntovaunuissa, matkailuautoissa ja kaupallisessa käytössä olevissa ajoneuvoissa.

Generaattori **ei** sovi asennettavaksi vesikulkuneuvoihin.

Generaattori synnyttää puhdasta sinimuotoista 230 V/50 Hz -vaihtojännitettä, johon voidaan liittää sähkölaitteita, joiden jatkuva kokonaiskuorma on 6200 W.

Laadultaan virta sopii myös herkille sähkölaitteille (esim. PC-tietokoneet).

Generaattori kykenee lataamaan 12 V -akun.

7 Tekninen kuvaus

Generaattori rakentuu seuraavista pääosista (kuva **1**, sivulla 3):

- Sähkögeneraattori, jossa on kestopagneetit (**1**)
- Polttomoottori (**2**)
- Liitäntärasia (**3**)
- Invertteri (**4**)
- Käyttöpaneeli (**5**)

Polttomoottori (**2**) laittaa siihen kiinteästi liitetyn sähkögeneraattorin (**1**) pyörimään ja tämä synnyttää vaihtojännitteen.

Sisäinen invertteri (**4**) muokkaa tämän vaihtojännitteen vakaaksi jännitteeksi 230 V / 50 Hz.

Liittimet ja pääkytkin ovat oven takana olevassa liitäntärasiasa (**3**).

Käyttö tapahtuu käyttöpaneelin (**5**) avulla.

Generaattorissa on integroitu akkulaturi siihen liitetyn akun lataamista varten.

Generaattorin käyttölaitteet

Generaattorin liitäntärasia on luukun takana.

Kohta – kuva 2, sivulla 3	Kuvaus	
1	Pääkytkin	Kytkee generaattorin käyttövalmiuteen tai pois käytöstä.
2	Lämpösulake	Laukeaa invertterin ylikuumentuessa (katso kap. "Näyttöilmoitukset" sivulla 219)

Käyttöpaneelin käyttölaitteet

Käyttöpaneeli kiinnitetään ajoneuvon sisään.

Kohta – kuva 3, sivulla 4	Kuvaus	
1	Näyttö	Näyttää tilailmoituksia.
2	Päälle-/pois-kytkin "⏻"?	Kytkee käyttöpaneelin päälle ja pois, kun pääkytkin on asennossa "I" tai "1". Pysäyttää generaattorin hätätapauksessa.
3	Harmaa painike "START/STOP"	Käynnistää/pysäyttää generaattorin, kun käyttöpaneeli on kytkettynä päälle ja pääkytkin on asennossa "I" tai "1".
4	Bensiininäyttö	Palaa, kun bensiini on vähissä.
5	Öljynäyttö	Palaa, kun moottorin öljymäärä on liian vähäinen.

Näytöt

Kohta – kuva 3, sivulla 4	Kuvaus	
6	Vaihtojännite.	Nykyinen lähtöjännite
7	Jatkuva teho	Liitettyjen sähkölaitteiden nykyinen teho
8	Käyttötunnit	Aika, jonka generaattori on toiminnassa
9	Tasajännite	Akun latausjännite
10	Ilmoitukset	Generaattorin tilailmoitus (katso kap. "Näyttöilmoitukset" sivulla 219)

8 Generaattorin käyttö



HUOMAUTUS! Vaurioitumisvaara

Älä kuormita generaattoria ensimmäisten 50 käyttötunnin (sisäänajovaihe) aikana enempää kuin 70 % maksimaalisesta jatkuvasta tehosta.



OHJE

Voit pidentää generaattorin kestoikää ja optimoida sen suorituskykyä: Kuormita generaattoria sisäänajovaiheen jälkeen enintään kuormalla, joka on n. 75 % maksimaalisesta jatkuvasta tehosta.

8.1 Perustavanlaatuisia ohjeita käyttöön



HUOMIO! Loukkaantumisvaara!

Älä työnnä sormia tai esineitä ilmasuuttimiin tai imuritulään.

Noudata seuraavia perustavanlaatuisia ohjeita:

- Tarkasta öljymäärä ennen jokaista käyttöä (kap. "Öljymäärän tarkastaminen" sivulla 222).
- Myös vähäinen ylikuormitus johtaa jatkuessaan siihen, että generaattori pysähtyy.
- Anna generaattorin käydä käytön jälkeen ennen pysäyttämistä muutamia minuutteja ilman, että sähkölaitteet ovat päällä.
- Ajoneuvon tiukat jarrutukset, kovat kiihdytykset ja ajo mutkissa voivat aiheuttaa generaattorin pumppujärjestelmään ongelmia ja johtaa sen kytkeytymiseen tahattomasti pois päältä.

- Jos et käytä generaattoria pidempään aikaan, käynnistä se vähintään 30 päivän välein ja anna sen käydä vähintään 15 minuuttia.

8.2 Generaattorin kytkeminen käyttövalmiuteen tai pois käytöstä

Generaattori kytketään käyttövalmiuteen tai pois käytöstä pääkytkimellä (kuva **2** 1, sivulla 3), joka on liitántärsasiassa.

8.3 Käyttöpaneelin päälle ja pois kytkeminen

Käyttöpaneeli kytketään päälle ja pois päältä päälle-/pois-kytkimellä (kuva **3** 2, sivulla 4), joka sijaitsee käyttöpaneelissa.

- Kytke käyttöpaneeli päälle päälle-/pois-kytkimellä.
- ✓ Näytössä näkyy: *GEN OFF*.
Näyttö sammuu 5 minuutin kuluttua automaattisesti, jos käynnistyspainiketta ei ole painettu tänä aikana.
Voit kytkeä näytön takaisin päälle painamalla käynnistyspainiketta.
- ✓ Generaattori voidaan nyt käynnistää.

8.4 Generaattorin käynnistäminen

Generaattorin voi käynnistää vain, kun se on kytkettynä käyttövalmiuteen ja kun käyttöpaneeli on kytkettynä päälle.

- Käynnistä generaattori harmaalla "START/STOP"-painikkeella (kuva **3** 3, sivulla 4).

8.5 Generaattorin pysäyttäminen

- Pysäytä generaattori harmaalla "START/STOP"-painikkeella (kuva **3** 3, sivulla 4).
- ✓ Inverteri kytkeytyy heti pois päältä. Generaattori käy vielä 30 sekuntia generaattorin jäähdyttämiseksi. Sen jälkeen myös generaattori pysähtyy.



HUOMAUTUS! Vaurioitumisvaara

Moottorivaurioiden välttämiseksi generaattori pitää aina pysäyttää harmaalla "START/STOP"-painikkeella. Kytke generaattori vain hätätilassa pois päältä punaisella pääkytkimellä.

8.6 Näyttöilmoitukset

Näyttöilmoitus Kuvaus	Generaattorin käyttäytyminen	Toimenpiteet
LOW BATTERY Akkujännite on laskenut alle vähimmäisarvon, jota käynnistysyrityksen suorittaminen edellyttää (9 V).	Generaattori ei käynnisty.	Lataa akku.
CHECK OIL LEVEL	Generaattori käy edelleen.	Lisää öljyä (katso kap. "Öljymäärän tarkastaminen" sivulla 222).
OIL CHANGE Käyttötuntien laskenta on saavuttanut öljynvaihdon ennalta asetetun arvon.	Generaattori käy edelleen.	Vaihda öljy (katso kap. "Öljynvaihto" sivulla 225), vahvista siten ilmoitus painamalla pitkään painiketta "START/STOP". Käynnistä generaattori uudelleen painamalla pitkään painiketta "START/STOP".
NO FUEL Säiliön bensiini on vähissä.	Generaattori käy edelleen.	Tankkaa.
OIL ALERT Moottorissa ei öljyä.	Generaattori pysähtyy.	Lisää öljyä (katso kap. "Öljymäärän tarkastaminen" sivulla 222).
GENERATOR ALERT! Yleinen hälytysilmoitus Esimerkki: Kaasuttimen kuristinlängän ohjausrenkas on rikki (askelmoottori).	Generaattori pysähtyy.	Tarkasta järjestelmä käyttämällä apuna taulukkoa "Häiriöt, syyt ja aputoimenpiteet". Käännä valmistajan omassa maassasi sijaitsevan toimipisteen puoleen, jos ongelma ei häviä (katso takasivua).

Näyttöilmoitus Kuvaus	Generaattorin käyttäytyminen	Toimenpiteet
<p>OVERLOAD!</p> <p>Sähkölaitteet synnyttävät ylikuorman lähtöpuolelle.</p>	<p>Inverteri kytkeytyy pois päältä, jolloin jännitettä ei enää anneta, mutta moottori käy edelleen kunnes sammuu.</p>	<p>Pienennä liitettyä kuormaa ja käynnistä generaattori uudelleen.</p>
<p>SHORT CIRCUIT</p> <p>Sähkölaitteet synnyttävät oikosulun lähtöpuolelle.</p>	<p>Inverteri kytkeytyy pois päältä, jolloin jännitettä ei enää anneta, mutta moottori käy edelleen kunnes sammuu.</p>	<p>Tarkasta liitettyjen sähkölaitteiden kunto, käynnistä generaattori sitten uudelleen.</p>
<p>OVER TEMPERATURE</p> <p>Ylikuumentuminen</p>	<p>Inverteri kytkeytyy pois päältä, jolloin jännitettä ei enää anneta, mutta moottori käy edelleen generaattorin jäähdyttämiseksi.</p>	<p>Anna generaattorin jäähtyä, odota pari minuuttia, käynnistä generaattori sitten uudelleen.</p>
<p>LOW POWER ENGINE</p> <p>Inverterin syöttöjännite pudonnut.</p>	<p>Generaattori pysähtyy.</p>	<p>Pienennä liitettyä kuormaa ja käynnistä generaattori uudelleen.</p>
<p>OVERSPEED</p> <p>Liian korkea kierrosluku</p>	<p>Generaattori pysähtyy.</p>	<p>Käynnistä generaattori uudelleen. Käänny valmistajan omassa maassasi sijaitsevan toimipisteen puoleen, jos ongelma ei häviä (katso takasivua).</p>
<p>START FAILED</p> <p>Esimerkki: Ei bensiiniä, kylmät lämpötilat, viallinen sytytystulppa, liikaantunut ilmansuodatin</p>	<p>Generaattori on kytketty pois päältä.</p>	<p>Käynnistä generaattori uudelleen.</p>
<p>GEN CAL</p> <p>Ilmoitus, joka ilmestyy generaattorin käynnistyksen yhteydessä; se osoittaa kalibrointivaiheen, joka edeltää jokaista käynnistystä. Generaattori ei vielä anna jännitettä</p>	<p>Generaattori pyörii, mutta ei luo jännitettä.</p>	<p>Odota hetkinen.</p>
<p>GEN WAIT</p> <p>Ilmoitus, joka ilmestyy kahden käynnistysyrityksen välisen tauon aikana.</p>	<p>Generaattori on kytketty pois päältä.</p>	<p>Odota, että ilmoitus häviää, yritä sitten uutta käynnistystä.</p>
<p>GEN ON</p> <p>Generaattori toimii normaalisti.</p>	<p>Normaalikäyttö</p>	<p>–</p>

Näyttöilmoitus Kuvaus	Generaattorin käyttäytyminen	Toimenpiteet
<i>GEN OFF</i>	Generaattori on pysähdyksissä ja voidaan käynnistää	–
<i>GEN STOP</i>	Generaattori on pysäytetty.	Odota hetkinen.
<i>WAIT COOLING</i>	Moottori on käynnissä kuormittomana järjestelmän jäähdyttämiseksi.	Odota hetkinen.
<i>INVERTER LOST COMM</i>	Generaattori pysähtyy.	Tarkasta järjestelmä käyttämällä apuna taulukkoa "Häiriöt, syyt ja aputoimenpiteet". Käänny valmistajan omassa maassasi sijaitsevan toimipisteen puoleen, jos ongelma ei häviä (katso takasivua).
<i>ENGINE LOST COMM</i>	Generaattori pysähtyy.	Tarkasta järjestelmä käyttämällä apuna taulukkoa "Häiriöt, syyt ja aputoimenpiteet". Käänny valmistajan omassa maassasi sijaitsevan toimipisteen puoleen, jos ongelma ei häviä (katso takasivua).
<i>INVERTER FAILED</i>	Generaattori pysähtyy.	Käänny valmistajan omassa maassasi sijaitsevan toimipisteen puoleen (katso takasivua).
<i>ENG. PARAM. ERROR</i>	Generaattori pysähtyy.	Käänny valmistajan omassa maassasi sijaitsevan toimipisteen puoleen (katso takasivua).
<i>INV. PARAM. ERROR</i>	Generaattori pysähtyy.	Käänny valmistajan omassa maassasi sijaitsevan toimipisteen puoleen (katso takasivua).
<i>SOFTWARE ERROR</i>	Generaattori pysähtyy.	Käänny valmistajan omassa maassasi sijaitsevan toimipisteen puoleen (katso takasivua).

8.7 Öljymäärän tarkastaminen



HUOMIO! Loukkaantumisvaara

Kuuma öljy voi aiheuttaa palovammoja.
Tarkasta öljyn määrä vain, kun generaattori on pois päältä.



OHJE

Generaattorin täytyy olla vaakasuorassa.

Tarkasta öljymäärä ennen jokaista käyttöä. Toimi tätä varten seuraavasti:

- ▶ Avaa generaattorin luukku.
- ▶ Kytke generaattori pääkytkimellä (kuva **4** 1, sivulla 4) pois käytöstä.
- ▶ Irrota liitos syöttökun plusnavasta.
- ▶ Vedä mittatikku (kuva **4** 2, sivulla 4) ulos täyttöistukasta (kuva **4** 3, sivulla 4).
- ▶ Puhdista mittatikku (kuva **4** 2, sivulla 4) rätillä.
- ▶ Työnnä mittatikku (kuva **4** 2, sivulla 4) kokonaan täyttöistukkaan (kuva **4** 3, sivulla 4).
- ▶ Vedä mittatikku (kuva **4** 2, sivulla 4) ulos täyttöistukasta
- ▶ Tarkasta, onko öljyn pinta loven (maksimimäärä) ja mittatikuksen kärjen välissä.
Jos ei, lisää öljyä.
- ▶ Työnnä mittatikku (kuva **4** 2, sivulla 4) kokonaan täyttöistukkaan (kuva **4** 3, sivulla 4).
- ▶ Tarkista, että öljymäärä ei ylitä maksimitäyttömäärää.
- ▶ Liitä generaattori syöttökun plusnapaan.
- ▶ Kytke generaattori pääkytkimellä (kuva **4** 1, sivulla 4) käyttövalmiuteen.
- ▶ Sulje generaattorin luukku.

9 Generaattorin puhdistaminen



HUOMAUTUS! Vaurioitumisvaara

- Älä puhdistu generaattoria korkeapainepesurilla. Sisään tunkeutuva vesi voi vahingoittaa generaattoria.
- Älä käytä puhdistukseen teräviä tai kovia välineitä eikä puhdistusaineita, koska tämä voi johtaa generaattorin vahingoittumiseen.
- Käytä generaattorin puhdistamiseen ainoastaan vettä ja mietoa puhdistusainetta. Älä käytä missään tapauksessa bensiiniä, dieseliä tai liuottimia

- Puhdista generaattorin kotelo toisinaan kostealla rievulla.
- Poista likaantumet generaattorin tuuletusaukoista säännöllisesti. Huolehdi siitä, että generaattorin lamelleja ei tällöin vahingoiteta.

10 Generaattorin huoltaminen



OHJE

Dometic-sopimushuollon löydät internetistä:
service-location.dometic.com

10.1 Huoltotaulukko



VAROITUS!

Jätä kaikki huoltotyöt ammattilaisille, jotka tuntevat asiaankuuluvat mää-
 räykset. Epäasianmukaisista huoltotoista saattaa aiheutua huomattavia
 vaaroja.



OHJE

Suorituta seuraavat huoltotyöt ilmoitetuin välein tai kun ilmoitettu käyttö-
 tuntimäärä on saavutettu sen mukaan, kumpi saavutetaan ensin.

Väli	Tarkastus/huolto
Ensimmäisenä kuukautena tai 20 tunnin jälkeen	<ul style="list-style-type: none"> ➤ Vaihdata öljy. ➤ Huollata ilmansuodatin (kap. "Ilmansuodattimen huoltaminen" sivulla 226).
Kolmen kuukauden välein tai 50 tunnin jälkeen	<ul style="list-style-type: none"> ➤ Huollata ilmansuodatin (kap. "Ilmansuodattimen huoltaminen" sivulla 226).
Kuuden kuukauden välein tai 100 tunnin jälkeen	<ul style="list-style-type: none"> ➤ Vaihdata öljy. ➤ Huollata sytytystulppa (kap. "Sytytystulpan huoltaminen" sivulla 227).
Vuosittain tai 300 tunnin välein	<ul style="list-style-type: none"> ➤ Huollata venttiilit ➤ Huollata bensiinisäiliö ja polttoainesuodatin. ➤ Huollata tärinävaimennin.
Kahden vuoden välein	<ul style="list-style-type: none"> ➤ Huollata bensiinijohtimet.

10.2 Huoltotöiden valmisteleminen



HUOMIO! Loukkaantumisvaara

Noudata seuraavaa kaikissa huoltotöissä:

- Generaattori ei saa olla toiminnassa.
- Kaikkien osien täytyy olla jäähtynyt.

- Avaa generaattorin luukku.
- Kytke generaattori pääkytkimellä (kuva **2** 1, sivulla 3) pois käytöstä.
- Irrota liitos syöttökun plusnavasta.

Voit vetää generaattorin ulos huoltotöitä varten (kuva **5**, sivulla 5):



VAROITUS! Loukkaantumisvaara

Generaattorin peruslevy on hyvin painava (> 70 kg). Se voi pudota kotelosta, jos vedät sen liian pitkälle.

- Avaa kiinnitysruuvit (**1**).
- Vedä peruslevy (**2**) sekä generaattori ulos kotelosta (**3**).

10.3 Huoltotöiden päättäminen

- ▶ Liitä generaattori syöttökun plusnapaan.
- ▶ Kytke generaattori pääkytkimellä (kuva **4** 1, sivulla 4) käyttövalmiuteen.
- ▶ Sulje generaattorin luukku.

10.4 Öljynvaihto



HUOMIO! Loukkaantumisvaara

Kuuma öljy voi aiheuttaa palovammoja.



HUOMAUTUS! Vaurioitumisvaara

Toimita käytetty öljy ehdottomasti erikoisyritysten hävitettäväksi tai käsiteltäväksi. Noudata kyseisen maan lakeja, jotka koskevat ympäristönsuojelua.

Voit käyttää seuraavia öljyjä:

- Luokan SAE 5W-30 öljy (käyttö mahdollista kaikissa lämpötiloissa).
- Yksiasteviskositeetin omaava öljy: Valitse sopiva viskositeetti paikan keskilämpötilasta riippuen.

Näin vaihdat öljyn:

- ▶ Anna generaattorin käydä lämpimäksi kolmesta viiteen minuuttia, jotta öljy muuttuu juoksevammaksi ja valuu pois nopeammin ja täydellisemmin.
- ▶ Aseta sopiva astia päästöruuvien (kuva **6** 1, sivulla 5) alle.
- ▶ Ota öljytikku pois.
- ▶ Ota päästöruuvi (kuva **6** 1, sivulla 5) pois.
- ✓ Öljy valuu pois.
- ▶ Lisää uusi öljy öljyistukan kautta.
Öljymäärä on: 1,1 l.
- ▶ Työnnä poistotulppa paikalleen.

10.5 Ilmansuodattimen huoltaminen



VAROITUS! Räjähdyksvaara!

Älä käytä ilmansuodattimen puhdistukseen dieselöljyä tai liuotainainetta, jonka haihtumispiste on matala. Nämä voivat syttyä tai räjähtää.



HUOMAUTUS! Vaurioitumisvaara

Älä anna moottorin koskaan käydä ilman ilmansuodatinta. Muuten moottori kuluu nopeasti.



OHJE

Jos ilmansuodatin on likaantunut, ilman virtaus kaasuttimeen heikkenee. Jotta kaasutin toimisi hyvin, suodattimen kunto tulisi tarkastaa säännöllisesti. Tarkasta se vastaavasti useammin, jos generaattoria käytetään erityisen pölyisessä ympäristössä.

- Valmistele huoltotyöt ja vedä generaattoria hieman ulos kotelosta: katsokap. "Huoltotöiden valmisteleminen" sivulla 224.
- Ota ruuvit (kuva **7** 1, sivulla 6) ja suodattimen kate (kuva **7** 2, sivulla 6).
- Ota ruuvi (kuva **7** 3, sivulla 6) pois.
- Ota ilmansuodatin (kuva **7** 4, sivulla 6). pois
Ilmansuodatin muodostuu kahdesta elementistä: sienisuodattimesta ja paperisuodattimesta.
- Tarkasta molempien suodatinelementtien kunto huolellisesti. Vaihda suodatinelementit uusiin.
- Puhdista ehjät suodatinelementit: katso seuraavia kappaleita.
- Aseta suodatin paikalleen.
- Kierrä ruuvi takaisin paikalleen.
- Aseta suodattimen suojus paikalleen.
- Päätä huoltotyöt: katso kap. "Huoltotöiden päättäminen" sivulla 225.

Sienisuodattimen puhdistaminen

- Pese sieni neutraalilla pesuaineliuksella ja huuhtelee se huolellisesti.
- Anna sienen kuivua kokonaan.
- Kasta sieni puhtaaseen moottoriöljyyn.
- Purista liika öljy pois.

Paperisuodattimen puhdistaminen

- Poista likaantumat paperista lyömällä sitä kevyesti toistuvasti kovaa pintaa vasten tai puhalla suodatin paineilmalla puhtaaksi sisältä ulospäin.

Älä harjaa paperia, koska tällöin lika tunkeutuisi paperisuodattimen kuituihin.

- Vaihda paperisuodatin, jos se likaantunut voimakkaasti.

10.6 Sytytystulpan huoltaminen



HUOMAUTUS! Vaurioitumisvaara

- Kiristä sytytystulppa huolellisesti. Jos sytytystulppaa ei ole kiristetty kunnolla, se voi kuumentua hyvin paljon ja aiheuttaa moottoriin vaurioita.
- Käytä yksinomaan samanveroisia sytytystulppia.
- Jos otat käyttöön uuden sytytystulpan, kiristä sitä 1/2 kierrosta, kun se istuu tukevasti aluslaatalla. Käytettyjä sytytystulppia käytettäessä riittää 1/8 tai 1/4 kierrosta.

- Valmistele huoltotyöt: katsokap. ”Huoltotöiden valmisteleminen” sivulla 224.
- Ota tulpan pistoke irti.
- Ota sytytystulppa pois tulppa-avaimella.

- Tarkasta sytytystulppa silmämääräisesti.

Vaihda sytytystulppa, jos tulppa on ilmeisen kulunut tai eristin on vaurioitunut tai murtunut.

Jos sytytystulppa on ainoastaan likaantunut, puhdista se teräsharjalla.

- Mittaa elektrodien kärkiväli rakotulkilla (kuva **8**, sivulla 6). Sen täytyy olla 0,7 – 0,8 mm. Väliä voi korjata mahdollisesti elektrodia taivuttamalla.
- Tarkasta, onko sytytystulpan tiiviste kunnossa.
- Jos näin on, ruuvaa sytytystulppa kädellä paikalleen, jotta kierre ei vaurioidu.

- Kierrä sytytystulppa paikalleen käsin, jotta kierre ei vaurioidu.
- Päätä huoltotyöt: katso kap. "Huoltotöiden päättäminen" sivulla 225.

11 Häiriöiden poistaminen

Häiriö	Syy	Poistaminen
Käyttöpaneeli ei käynnisty päälle-/pois-kytkintä painettaessa.	Käynnistysakku tyhjä.	➤ Lataa käynnistysakku.
	Sulake (jos sellainen on) on palanut.	➤ Käännny valtuutetun korjaamon puoleen.
Starttimoottori ei pyöri, vaikka käynnistyspainiketta painetaan.	Käynnistysakku tyhjä.	➤ Lataa käynnistysakku.
	Pääkytkin on asennossa "0".	➤ Aseta pääkytkin asentoon "1" tai "1".
	Piirilevy vioittunut.	➤ Käännny valtuutetun korjaamon puoleen.
	Starttimoottori ei saa virtaa.	
Starttimoottori pyörii mutta generaattori ei käynnisty.	Ei bensiiniä.	➤ Lisää bensiiniä.
	Moottorissa on liikaa öljyä.	➤ Päästä öljyä pois.
	Sytytystulppa ei saa virtaa.	➤ Tarkasta sähköiset johdotukset.
	Kaasutin ei saa bensiiniä.	➤ Puhdista kaasutin.
	Ilmanimu tukossa.	➤ Tarkasta ilmansuodatin (katso kap. "Ilmansuodattimen huoltoaminen" sivulla 226).
	Invertteri vaurioitunut.	➤ Käännny valtuutetun korjaamon puoleen.
Generaattori pyrkii sammumaan.	Moottorissa on liikaa öljyä.	➤ Päästä öljyä pois.
	Kuorma yli 6,2 kW.	➤ Kytke sähköllä toimivia laitteita pois.
	Kaasutin ei saa bensiiniä.	➤ Puhdista kaasutin.
	Ilmanimu tukossa.	➤ Tarkasta ilmansuodatin (katso kap. "Ilmansuodattimen huoltoaminen" sivulla 226).
	Invertteri vaurioitunut.	➤ Käännny valtuutetun korjaamon puoleen.
	Sähkömagneetti (starttimoottori) jumissa.	
	Ilmansuodatin likaantunut.	➤ Tarkasta ilmansuodatin (katso kap. "Ilmansuodattimen huoltoaminen" sivulla 226).
	Polttoainesuodatin on likainen.	➤ Vaihda polttoainesuodatin.

Häiriö	Syy	Poistaminen
Generaattori on käynnistynyt, mutta ei luo jännitettä.	Invertteri vaurioitunut. Kierrosluku on liian matala.	<ul style="list-style-type: none"> ➤ Tarkasta sähköiset johdotukset. ➤ Käänny valtuutetun korjaamon puoleen.
Generaattori kiihtyy voimakkaasti käynnistyessään ja pysähtyy sitten ilmoituksen "GENERATOR ALERT" saattamana.	Askelmoottori viallinen.	<ul style="list-style-type: none"> ➤ Käänny valtuutetun korjaamon puoleen.
Luotu jännite on epävaka.	Invertteri vaurioitunut.	<ul style="list-style-type: none"> ➤ Käänny valtuutetun korjaamon puoleen.

12 Tuotevastuu

Laitetta koskee lakisääteinen tuotevastuu-aika. Jos tuote sattuu olemaan viallinen, käänny maasi sopimushuollon puoleen (katso takasivua).

Asiantuntijamme auttavat sinua ja neuvovat sinua tuotevastuun jatkomenettelyyn suhteen.

13 Hävittäminen

- Vie pakkausmateriaali mahdollisuuksien mukaan vastaavan kierrätysjätteen joukkoon.



Jos poistat tuotteen lopullisesti käytöstä, pyydä tietoa sen hävittämistä koskevista määräyksistä lähimmästä kierrätyskeskuksesta tai ammattiliikkeestäsi.





Muista ympäristönsuojelu!

Akut ja paristot eivät kuulu kotitalousjätteen sekaan.

Toimita vialliset akut tai käytetyt paristot kauppiaille tai keräyspisteeseen.

14 Tekniset tiedot

	TEC60EV
Tuotenro:	9102900303
Lähtönimellisjännite:	230 V~ / 50 Hz
Maks. jatkuva teho (kun 25 °C merenpinnan tasolla):	6200 W
Akkulaturin lähtöjännite:	12 V===
Akkulaturin maks. lähtövirta:	30 A
Käyttölämpötila-alue:	-15 °C ... +50 °C
Harmoninen kokonaissärö:	<3 %
Polttoaine:	Normaali 91-oktaaninen bensiini
Kulutus:	maks. 3,7 l/h
Moottorin teho:	6,6 kW (8,9 hv)
Maks. kierrosluku:	3600 min ⁻¹
Moottoriöljy:	1,1 l
CO ₂ -arvo:	743 g/kW-hr
Melutaso:	91 dB(A)
Melutaso 7 m etäisyydellä:	66 dB(A)
Mitat:	katso kuva 9 , sivulla 7
Paino:	110 kg
Tarkastus/sertifikaatti:	 

Tämä CO₂-mittaustulos on saatu testaamalla kyseisen moottorintyyppin (moottoriperheen) edustajaa laboratorio-olosuhteissa ja määriteltä testisykliä käyttäen, eikä sen perusteella voida johtaa tai taata minkään tietyn, yksittäisen moottorin suorituskykyä

Прочтите данную инструкцию перед вводом в эксплуатацию и сохраните ее. В случае передачи продукта передайте инструкцию следующему пользователю.

Оглавление

1	Пояснение символов	231
2	Указания по технике безопасности	232
3	Целевая группа данной инструкции	234
4	Объем поставки	234
5	Принадлежности	235
6	Использование по назначению	235
7	Техническое описание	235
8	Управление генератором	238
9	Очистка генератора	244
10	Техническое обслуживание генератора	244
11	Устранение неисправностей	249
12	Гарантия	251
13	Утилизация	251
14	Технические данные	251

1 Пояснение символов



ПРЕДУПРЕЖДЕНИЕ!

Указание по технике безопасности, указывающее на опасную ситуацию, которая может привести к смерти или серьезной травме, если ее не предотвратить.



ОСТОРОЖНО!

Указание по технике безопасности, указывающее на опасную ситуацию, которая может привести к травмам легкой или средней тяжести, если ее не предотвратить.

**ВНИМАНИЕ!**

Указание на ситуацию, которая может привести к материальному ущербу, если ее не предотвратить.

**УКАЗАНИЕ**

Дополнительная информация по управлению продуктом.

2 Указания по технике безопасности

Соблюдайте указания по технике безопасности и требования, предписанные изготовителем автомобиля и автомастерской!

Изготовитель не несет никакой ответственности за ущерб в следующих случаях:

- Повреждения продукта из-за механических воздействий и неверного напряжения питания
- Изменения в продукте, выполненные без однозначного разрешения изготовителя
- Использование в целях, отличных от указанных в данной инструкции

Он не несет, в частности, никакой ответственности за любой косвенный ущерб, в т. ч. и косвенный ущерб, вызванный отказом генератора.

Соблюдайте следующие основные предписания по технике безопасности при пользовании электроприборами для защиты от:

- поражения электрическим током
- опасности возникновения пожара
- травм

2.1 Основные указания по технике безопасности



ПРЕДУПРЕЖДЕНИЕ! Несоблюдение этих предупреждений может привести к смерти или серьезной травме.

Опасность для здоровья

- Используйте прибор только по назначению.
- Не выполняйте никаких изменений и переделок на приборе.

- Монтаж, техническое обслуживание и ремонт генератора разрешается выполнять только специалистам, знакомым с опасностями при обращении с генераторами, а также с соответствующими стандартами и предписаниями. Неправильно выполненный ремонт может приводить к серьезным опасностям. При необходимости ремонта обратитесь в представительство изготовителя в Вашей стране (см. информацию на обороте).
- Лица (включая детей), которые в связи с ограниченными физическими, сенсорными или умственными способностями или с недостатком опыта или знаний не в состоянии пользоваться прибором, не должны использовать прибор без постоянного присмотра или инструктажа ответственных за них лиц.

Опасность удушья

- Продукты сгорания содержат окись углерода, предельно ядовитый, не имеющий запаха и бесцветный газ. Не вдыхайте продукты сгорания. Не оставляйте двигатель генератора работать в закрытом гараже или помещении, не имеющем окон.

Поражение электрическим током

- **Электроприборы не являются детскими игрушками!**
Дети не в состоянии правильно оценить опасности, исходящие от электроприборов. Не оставляйте детей пользоваться электроприборами без присмотра.



ОСТОРОЖНО! Несоблюдение этих предостережений может привести к травме легкой или средней степени тяжести.

Опасность для здоровья

- Генератор разрешается эксплуатировать только при закрытой заслонке.

Опасность пожара

- Удалите все легковоспламеняющиеся материалы, как, например, бензин, лаки, краски, растворители и т. п., из зоны вблизи генератора.
- Убедитесь в том, что нагревающиеся узлы генератора не контактируют с легковоспламеняющимися материалами.
- Заправляйте генератор только в выключенном состоянии и только в хорошо вентилируемой зоне. Бензин и сжиженный газ являются легко воспламеняющимися веществами и могут взрываться.
- Не заправляйте генератор при включенном двигателе автомобиля, если бак находится вблизи генератора.

- В случае выливания бензина тщательно вытрите его и перед тем, как включить двигатель, подождите, пока полностью не исчезнут пары.

Поражение электрическим током

- Не касайтесь генератора и проводов влажными руками.
- Заменяйте предохранители или термовыключатели только на устройства с такими же техническими характеристиками
- Эксплуатируйте прибор только в том случае, если корпус и провода не имеют повреждений.



ВНИМАНИЕ! Опасность повреждения

- Не переполняйте топливный бак. В горловине бака не должен находиться бензин. Проверьте, правильно ли закрыта крышка.
- Прежде чем производить сварочные работы на транспортном средстве, отсоедините все кабели, подключенные к генератору; в противном случае возможно повреждение электронного оборудования генератора.

2.2 Техника безопасности при работе прибора



ПРЕДУПРЕЖДЕНИЕ! Несоблюдение этих предупреждений может привести к смерти или серьезной травме.

Поражение электрическим током

- При работах на приборе всегда прерывайте электропитание.

3 Целевая группа данной инструкции

Данная инструкция по эксплуатации предназначена для пользователей генератора.

4 Объем поставки

Наименование

Генератор TEC60EV

Переключающее реле для реализации приоритетной схемы

Панель управления

Глушитель

Наименование

Выхлопной трубопровод

Крепежный материал для глушителя

Соединительный кабель

Крепежный материал

Инструкция по монтажу

Инструкция по эксплуатации

5 Принадлежности

Продается в качестве принадлежности (не входит в объем поставки):

Наименование деталей	Арт. №
PR 250133, внешний комплект уплотнений.	9600025375

6 Использование по назначению

Генератор TEC 60EV предназначен для использования в жилых прицепах, автофургонах и транспортных средствах для коммерческого использования.

Генератор **не** пригоден для монтажа на плавсредствах.

Генератор создает чистое синусоидальное переменное напряжение 230 В/50 Гц, к которому могут быть присоединены потребители с общей продолжительной нагрузкой 6200 Вт.

Качество тока пригодно даже для чувствительных потребителей (например, ПК).

Генератор может заряжать аккумуляторную батарею с напряжением 12 В.

7 Техническое описание

Генератор состоит из следующих основных узлов (рис. **1**, стр. 3):

- Электрогенератор с постоянными магнитами (**1**)
- Двигатель внутреннего сгорания (ДВС) (**2**)
- Клеммная коробка (**3**)
- Инвертор (**4**)

- Панель управления (5)

ДВС (2) приводит во вращение жестко соединенный с ним электрогенератор (1), который генерирует переменное напряжение.

Внутренний инвертор (4) преобразует это переменное напряжение в стабилизированное напряжение с 230 В и 50 Гц.

На клеммной коробке (3) за дверцей расположены присоединительные зажимы и главный выключатель.

Управление осуществляется с панели управления (5).

Генератор имеет встроенное зарядное устройство для заряда присоединенного аккумулятора.


Органы управления на генераторе

Клеммная коробка генератора расположена за заслонкой.

Поз. на рис. 2, стр. 3	Описание	
1	Главный выключатель	Включает генератор в рабочее или нерабочее состояние.
2	Тепловой предохранитель	Срабатывает при перегреве инвертора (см. гл. «Сообщения на дисплее» на стр. 240)

Органы управления на панели управления

Панель управления расположена в салоне автомобиля.

Поз. на рис. 3, стр. 4	Описание	
1	Дисплей	Показывает сообщения о состоянии.
2	Выключатель «  »?	Включает и выключает панель управления, если главный выключатель находится в положении «I» или «1». Останавливает генератор в экстренном случае.
3	Серая кнопка «START/STOP»	Запускает и останавливает генератор, если панель управления включена и главный выключатель находится в положении «I» или «1».

Поз. на рис. 3, стр. 4	Описание	
4	Указатель уровня бензина	Загорается при слишком низком уровне бензина.
5	Указатель уровня масла	Загорается при слишком низком уровне масла в двигателе.

Индикация на дисплее

Поз. на рис. 3, стр. 4	Описание	
6	Переменное напряжение	Текущее значение переменного напряжения
7	Длительная мощность	Текущее значение мощности присоединенных потребителей
8	Часы эксплуатации	Время, которое генератор находится в эксплуатации.
9	Постоянное напряжение	Зарядное напряжение батареи
10	Сообщения	Сообщение о состоянии генератора (см. гл. «Сообщения на дисплее» на стр. 240)

8 Управление генератором



ВНИМАНИЕ! Опасность повреждения

В течение первых 50 часов эксплуатации (фаза обкатки) не подвергайте генератор нагрузкам, превышающим 70 % максимальной длительной мощности.



УКАЗАНИЕ

Вы можете увеличить срок службы генератора и оптимизировать его мощность. После окончания фазы обкатки подвергайте генератор нагрузкам, не превышающим 75 % максимальной длительной мощности.

8.1 Общие указания по управлению



ОСТОРОЖНО! Опасность травмирования!

Не вставлять пальцы или какие-либо предметы в воздушные сопла или воздухозаборную решетку.

Соблюдайте следующие основные указания:

- Перед каждым использованием контролируйте уровень масла (гл. «Контроль уровня масла» на стр. 243).
- Даже незначительные, но постоянные перегрузки приводят к тому, что генератор останавливается.
- После использования оставьте генератор работать несколько минут без потребителей, прежде чем остановить его.
- Резкое торможение, ускорение и движение автомобиля на поворотах могут вызывать проблемы в насосной системе генератора и приводить к его непреднамеренному выключению.
- Если Вы не используете генератор длительное время, то запускайте его не реже чем каждые 30 дней и оставляйте его работать не менее чем на 15 минут.

8.2 Включение генератора в рабочее или нерабочее состояние

Главным выключателем (рис. **2** 1, стр. 3) на клеммной коробке генератор включается в рабочее или нерабочее состояние.

8.3 Включение и выключение панели управления

Выключателем (рис. **3** 2, стр. 4) на панели управления включается и выключается панель управления.

► Включите панель управления выключателем.

✓ На дисплее появляется: *GEN OFF*.

Дисплей выключается автоматически через 5 минут, если в течение этого времени не была нажата пусковая кнопка.

Нажатием пусковой кнопки можно снова включить дисплей.

✓ Теперь генератор может быть запущен.

8.4 Запуск генератора

Генератор может быть запущен только в том случае, если он включен в рабочее состояние и если включена панель управления.

► Запустите генератор серой кнопкой «START/STOP» (рис. **3** 3, стр. 4).

8.5 Остановка генератора

► Остановите генератор серой кнопкой «START/STOP» (рис. **3** 3, стр. 4).

✓ Инвертор сразу же выключается. Генератор работает еще 30 секунд для охлаждения генератора, затем он тоже останавливается.



ВНИМАНИЕ! Опасность повреждения

Во избежание повреждений двигателя всегда останавливайте генератор серой кнопкой «START/STOP».

Выключайте генератор с помощью главного выключателя только в экстренном случае.

8.6 Сообщения на дисплее

Сообщение на дисплее Описание	Поведение генератора	Меры
LOW BATTERY Напряжение батареи пало ниже минимального значения для выполнения попыток пуска (9 В).	Генератор не запускается.	Зарядить батарею.
CHECK OIL LEVEL	Генератор продолжает работать.	Долить масло (см. гл. «Контроль уровня масла» на стр. 243).
OIL CHANGE Достигнуто заданное значение часов эксплуатации для замены масла в двигателе.	Генератор продолжает работать.	Выполнить замену масла (см. гл. «Замена масла» на стр. 246), затем подтвердить сообщение длительным нажатием кнопки «START/STOP». Снова запустить генератор еще одним длительным нажатием кнопки «START/STOP».
NO FUEL Слишком низкий уровень бензина в баке.	Генератор продолжает работать.	Выполнить заправку.
OIL ALERT В двигателе отсутствует масло.	Генератор останавливается.	Долить масло (см. гл. «Контроль уровня масла» на стр. 243).
GENERATOR ALERT! Общее аварийное сообщение Пример: Неисправно контрольное кольцо дроссельной заслонки карбюратора (шаговый двигатель).	Генератор останавливается.	Проверить систему на основе таблицы «Неисправности, их причины и устранение». Если проблема не устраняется, то обратитесь в представительство изготовителя в Вашей стране (см. информацию на обороте).
OVERLOAD! Потребители создают перегрузку на выходе.	Инвертор отключается, поэтому напряжение не отдается, но двигатель продолжает работать, пока не выключится.	Уменьшить присоединенную нагрузку и перезапустить генератор.
SHORT CIRCUIT Потребители создают короткое замыкание на выходе.	Инвертор отключается, поэтому напряжение не отдается, но двигатель продолжает работать, пока не выключится.	Проверить состояние присоединенных потребителей, затем перезапустить генератор.

Сообщение на дисплее Описание	Поведение генератора	Меры
OVER TEMPERATURE Перегрев	Инвертор отключается, поэтому напряжение не отдается, но двигатель продолжает работать, чтобы охладить генератор.	Дать генератору охладиться, подождать несколько минут, затем перезапустить генератор.
LOW POWER ENGINE Падение напряжения питания инвертора.	Генератор останавливается.	Уменьшить присоединенную нагрузку и перезапустить генератор.
OVERSPEED Слишком большая частота вращения	Генератор останавливается.	Заново запустить генератор. Если проблема не устраняется, то обратитесь в представительство изготовителя в Вашей стране (см. информацию на обороте).
START FAILED Пример: нет бензина, холодная температура, неисправная свеча зажигания, загрязнен воздушный фильтр	Генератор выключен.	Заново запустить генератор.
GEN CAL Сообщение, которое появляется после пуска генератора; оно указывает на фазу калибровки, которая предшествует каждому пуску. Генератор еще не отдает напряжение.	Генератор вращается, но не создает напряжение.	Подождать некоторое время.
GEN WAIT Сообщение, которое появляется во время фазы между двумя попытками пуска.	Генератор выключен.	Подождать, пока сообщение не исчезнет, затем повторить попытку пуска.
GEN ON Нормальный режим работы генератора.	Нормальный режим работы	–
GEN OFF	Генератор бездействует и может быть запущен.	–
GEN STOP	Генератор остановлен.	Подождать некоторое время.
WAIT COOLING	Двигатель работает без нагрузки для охлаждения системы.	Подождать некоторое время.

Сообщение на дисплее Описание	Поведение генератора	Меры
<i>INVERTER LOST COMM</i>	Генератор останавливается.	Проверить систему на основе таблицы «Неисправности, их причины и устранение». Если проблема не устраняется, то обратитесь в представительство изготовителя в Вашей стране (см. информацию на обороте).
<i>ENGINE LOST COMM</i>	Генератор останавливается.	Проверить систему на основе таблицы «Неисправности, их причины и устранение». Если проблема не устраняется, то обратитесь в представительство изготовителя в Вашей стране (см. информацию на обороте).
<i>INVERTER FAILED</i>	Генератор останавливается.	Обратитесь в представительство изготовителя в вашей стране (см. информацию на обороте).
<i>ENG. PARAM. ERROR</i>	Генератор останавливается.	Обратитесь в представительство изготовителя в вашей стране (см. информацию на обороте).
<i>INV. PARAM. ERROR</i>	Генератор останавливается.	Обратитесь в представительство изготовителя в вашей стране (см. информацию на обороте).
<i>SOFTWARE ERROR</i>	Генератор останавливается.	Обратитесь в представительство изготовителя в вашей стране (см. информацию на обороте).

8.7 Контроль уровня масла



ОСТОРОЖНО! Опасность травмирования

Горячее масло может вызывать ожоги.

Проверяйте уровень масла только на выключенном генераторе.



УКАЗАНИЕ

Генератор должен располагаться горизонтально.

Перед каждым использованием контролируйте уровень масла. При этом соблюдайте следующий порядок действий:

- Откройте заслонку генератора.
- Включите генератор главным выключателем (рис. **4** 1, стр. 4) в нерабочее состояние.
- Рассоедините соединение с положительным полюсом питающей батареи.
- Вытяните стержневой указатель уровня (рис. **4** 2, стр. 4) из наливного патрубка (рис. **4** 3, стр. 4).
- Очистите стержневой указатель уровня (рис. **4** 2, стр. 4) ветошью.
- Полностью вставьте стержневой указатель уровня (рис. **4** 2, стр. 4) в наливной патрубок (рис. **4** 3, стр. 4).
- Вытяните стержневой указатель уровня (рис. **4** 2, стр. 4) из наливного патрубка.
- Проверьте, находится ли уровень масла между меткой (максимальный уровень) и верхушкой указателя уровня.
Если нет, то долейте масло.
- Полностью вставьте стержневой указатель уровня (рис. **4** 2, стр. 4) в наливной патрубок (рис. **4** 3, стр. 4).
- Убедитесь, что уровень масла не превышает максимально допустимый уровень.
- Соедините генератор с положительным полюсом питающей батареи.
- Включите генератор главным выключателем (рис. **4** 1, стр. 4) в рабочее состояние.
- Закройте заслонку генератора.

9 Очистка генератора



ВНИМАНИЕ! Опасность повреждения

- Категорически запрещается очищать генератор очистителем высокого давления. Попавшая вода может привести к повреждениям генератора.
- Не использовать для очистки острые или твердые предметы или чистящие средства, т. к. это может привести к повреждениям генератора.
- Для очистки генератора используйте только воду с нейтральным чистящим средством. Категорически запрещается использовать бензин, дизельное топливо или растворители.

- ▶ Периодически очищайте корпус генератора влажной тряпкой.
- ▶ Регулярно удаляйте загрязнения с вентиляционных отверстий генератора. Следите за тем, чтобы при этом не повредить пластины генератора.

10 Техническое обслуживание генератора



УКАЗАНИЕ

Ближайшего сервисного партнера можно найти на странице: страниц service-location.dometic.com

10.1 Таблица технического обслуживания



ПРЕДУПРЕЖДЕНИЕ!

Доверяйте техническое обслуживание только специалистам, знакомым с соответствующими стандартами и предписаниями. Неправильно выполненное техническое обслуживание может приводить к серьезным опасностям.



УКАЗАНИЕ

Выполняйте следующие работы по техническому обслуживанию с указанной периодичностью или через указанное число часов эксплуатации, в зависимости того, какой срок наступает раньше.

Интервал	Проверка/техническое обслуживание
В первый месяц или через 20 часов	<ul style="list-style-type: none"> ➤ Замените масло. ➤ Выполните техническое обслуживание воздушного фильтра (гл. «Техническое обслуживание воздушного фильтра» на стр. 247).
Каждые 3 месяца или через 50 часов	<ul style="list-style-type: none"> ➤ Выполните техническое обслуживание воздушного фильтра (гл. «Техническое обслуживание воздушного фильтра» на стр. 247).
Каждые 6 месяцев или через 100 часов	<ul style="list-style-type: none"> ➤ Замените масло. ➤ Выполните техническое обслуживание свечи зажигания (гл. «Техническое обслуживание свечи зажигания» на стр. 248).
Ежегодно или каждые 300 часов	<ul style="list-style-type: none"> ➤ Выполните техническое обслуживание клапанов. ➤ Выполните техническое обслуживание топливного бака и топливного фильтра. ➤ Выполните техническое обслуживание виброгасителя.
Каждые 2 года	<ul style="list-style-type: none"> ➤ Выполните техническое обслуживание топливопроводов.

10.2 Подготовка к техническому обслуживанию



ОСТОРОЖНО! Опасность травмирования

При всех работах по техническому обслуживанию учитывайте следующее:

- Генератор не должен находиться в работе.
- Все детали должны охладиться.

- Откройте заслонку генератора.
- Включите генератор главным выключателем (рис. **2** 1, стр. 3) в нерабочее состояние.
- Рассоедините соединение с положительным полюсом питающей батареи.

Для проведения технического обслуживания Вы можете вытянуть генератор (рис. **5**, стр. 5):



ПРЕДУПРЕЖДЕНИЕ! Опасность травмирования

Опорная плита с генератором очень тяжелая (> 70 кг) и может выпасть из корпуса, если слишком далеко вытянуть ее.

- Отпустите крепежные винты (1).
- Вытяните опорную плиту (2) с генератором из корпуса (3).

10.3 Завершение технического обслуживания

- Соедините генератор с положительным полюсом питающей батареи.
- Включите генератор главным выключателем (рис. 4 1, стр. 4) в рабочее состояние.
- Закройте заслонку генератора.

10.4 Замена масла



ОСТОРОЖНО! Опасность травмирования

Горячее масло может вызывать ожоги.



ВНИМАНИЕ! Опасность повреждения

Обязательно сдавайте отработавшее масло в специальные компании по утилизации или переработке и соблюдайте законы по охране окружающей среды, действующие в Вашей стране.

Можно использовать следующие масла:

- Масло класса SAE 5W-30 (возможно использование при любых температурах).
- Сезонное масло. Выберите подходящую вязкость масла в зависимости от средней местной температуры.

Замена масла выполняется следующим образом:

- Дайте генератору прогреться три - пять минут, чтобы масло стало более жидким и могло быть слито быстро и полностью.
- Установите подходящую емкость под пробку сливного отверстия (рис. 6 1, стр. 5).
- Удалите стержневой указатель уровня масла.
- Вывинтите пробку сливного отверстия (рис. 6 1, стр. 5).
- ✓ Масло стекает.
- Залейте свежее масло в маслосливной патрубок.

Количество масла составляет: 1,1 л.

- Вставьте пробку для слива.

10.5 Техническое обслуживание воздушного фильтра



ПРЕДУПРЕЖДЕНИЕ! Опасность взрыва!

Для очистки воздушного фильтра не используйте дизельное топливо или растворители с низкой температурой испарения. Они могут воспламениться или взрываться.



ВНИМАНИЕ! Опасность повреждения

Не допускается работа двигателя без воздушного фильтра. В противном случае двигатель быстро изнашивается.



УКАЗАНИЕ

Если воздушный фильтр загрязнен, то воздушный поток к карбюратору уменьшается. Для обеспечения хорошей работы карбюратора следует регулярно контролировать состояние фильтра. Контролируйте его соответственно чаще, если генератор работает в условиях сильной запыленности.

- Подготовьте выполнение технического обслуживания и слегка вытяните генератор из корпуса: см гл. «Подготовка к техническому обслуживанию» на стр. 245.
- Снимите винты (рис. **7** 1, стр. 6) и кожух фильтра (рис. **7** 2, стр. 6).
- Снимите винт (рис. **7** 3, стр. 6).
- Снимите воздушный фильтр (рис. **7** 4, стр. 6).
Воздушный фильтр состоит из двух элементов: одного губчатого фильтра и одного бумажного фильтра.
- Тщательно проконтролируйте состояние обоих фильтрующих элементов. Замените поврежденные фильтрующие элементы.
- Очистите неповрежденные фильтрующие элементы: см. следующие разделы.
- Вставьте фильтр.
- Установите винт на место.
- Наденьте крышку фильтра.

- Завершите техническое обслуживание: см. гл. «Завершение технического обслуживания» на стр. 246.

Очистка губчатого фильтра

- Промойте губку в растворе нейтрального моющего средства и тщательно прополощите ее.
- Дайте губке полностью высохнуть.
- Пропитайте губку чистым моторным маслом.
- Выжмите излишнее масло.

Очистка бумажного фильтра

- Очистите бумагу от загрязнений постукиванием о твердую поверхность или продуйте фильтр сжатым воздухом изнутри наружу.
Не очищайте бумагу щеткой, т. к. вследствие этого грязь проникнет в волокна воздушного фильтра.
- В случае сильного загрязнения замените бумажный фильтр.

10.6 Техническое обслуживание свечи зажигания



ВНИМАНИЕ! Опасность повреждения

- Тщательно затяните свечу зажигания. Неплотно затянутая свеча зажигания может стать очень горячей и вызвать повреждения двигателя.
- Используйте только равноценные свечи зажигания.
- Когда Вы устанавливаете новую свечу зажигания, то затяните ее на 1/2 оборота, если она плотно прилегает к концевой шайбе. При использовании бывших в употреблении свечей зажигания достаточно 1/8 или 1/4 оборота.

- Подготовьте выполнение технического обслуживания: см. гл. «Подготовка к техническому обслуживанию» на стр. 245.
- Снимите свечу зажигания.
- Вывинтите свечу зажигания свечным ключом.
- Выполните визуальный контроль свечи зажигания.
Если свеча зажигания явно изношена или изолятор поврежден или обломан, то замените свечу зажигания.

Если свеча зажигания лишь загрязнена, то очистите ее стальной щеткой.

- Измерите расстояние между электродами толщиномером (рис. **8**, стр. 6). Оно должно составлять 0,7 – 0,8 мм и, при необходимости, может быть изменено путем изгиба электродов.
- Убедитесь в целостности уплотнения свечи зажигания.
- Навинтите свечу зажигания вручную, чтобы предотвратить повреждение резьбы.
- Затяните свечу зажигания свечным ключом так, чтобы была сжата подкладная шайба.
- Завершите техническое обслуживание: см. гл. «Завершение технического обслуживания» на стр. 246.

11 Устранение неисправностей

Неисправность	Причина	Устранение
При нажатии выключателя панель управления не включается.	Разряжена стартерная батарея.	➤ Зарядите стартерную батарею.
	Сработал предохранитель (при наличии).	➤ Обратитесь в уполномоченную мастерскую.
При нажатии пусковой кнопки стартер не вращается.	Разряжена стартерная батарея.	➤ Зарядите стартерную батарею.
	Главный выключатель находится в положении «0».	➤ Установите главный выключатель в положение «I» или «1».
	Плата повреждена.	➤ Обратитесь в уполномоченную мастерскую.
	Отсутствует электропитание стартера.	
Стартер вращается, но генератор не запускается.	Нет бензина.	➤ Долейте бензин.
	В двигателе слишком много масла.	➤ Слейте масло.
	На свечу зажигания не поступает напряжение.	➤ Проверьте электрические соединения.
	В карбюратор не поступает бензин.	➤ Проверьте карбюратор.
	Засорен воздухозаборник.	➤ Проверьте воздушный фильтр (см. гл. «Техническое обслуживание воздушного фильтра» на стр. 247).
	Поврежден инвертор.	➤ Обратитесь в уполномоченную мастерскую.

Неисправность	Причина	Устранение
Генератор склонен к выключению.	В двигателе слишком много масла.	➤ Слейте масло.
	Нагрузка свыше 6,2 кВт.	➤ Отключите потребителей.
	В карбюратор не поступает бензин.	➤ Проверьте карбюратор.
	Засорен воздухозаборник.	➤ Проверьте воздушный фильтр (см. гл. «Техническое обслуживание воздушного фильтра» на стр. 247).
	Поврежден инвертор.	➤ Обратитесь в уполномоченную мастерскую.
	Заблокирован электромагнит (стартер).	
	Загрязнен воздушный фильтр.	➤ Проверьте воздушный фильтр (см. гл. «Техническое обслуживание воздушного фильтра» на стр. 247).
	Топливный фильтр загрязнен.	➤ Замените топливный фильтр.
Генератор запустился, но не создает напряжение.	Поврежден инвертор.	➤ Проверьте электрические соединения.
	Слишком низкая частота вращения.	➤ Обратитесь в уполномоченную мастерскую.
Генератор запускается с сильным ускорением, а затем останавливается, появляется сообщение «GENERATOR ALERT».	Шаговый двигатель неисправен.	➤ Обратитесь в уполномоченную мастерскую.
Созданное напряжение не стабильно.	Поврежден инвертор.	➤ Обратитесь в уполномоченную мастерскую.

12 Гарантия

Действителен установленный законом срок гарантии. Если продукт неисправен, обратитесь в сервисную организацию в Вашей стране (см. информацию на обороте).

Наши специалисты с радостью помогут Вам и обсудят с Вами дальнейшие шаги.

13 Утилизация

- По возможности, выкидывайте упаковочный материал в мусор, подлежащий вторичной переработке.



Если Вы окончательно выводите продукт из эксплуатации, то получите информацию в ближайшем центре по вторичной переработке или в торговой сети о соответствующих предписаниях по утилизации.





Защищайте окружающую среду!

Аккумуляторы и батареи запрещается выбрасывать в бытовой мусор. Неисправные аккумуляторы и разряженные батареи сдавайте в торговую организацию или в специальные сборные пункты.

14 Технические данные

	TEC60EV
Арт. №:	9102900303
Номинальное выходное напряжение:	230 В~ / 50 Гц
Макс. длительная мощность (при 25 °С на уровне моря):	6200 Вт
Выходное напряжение устройства для заряда аккумуляторных батарей:	12 В---
Макс. выходной ток устройства для заряда аккумуляторных батарей:	30 А
Диапазон рабочих температур:	от -15 °С до +50 °С
Общее гармоническое искажение:	<3 %
Топливо:	Нормальный бензин ROZ 91
Расход:	макс. 3,7 л/ч

	TEC60EV
Мощность двигателя:	6,6 кВт (8,9 л. с.)
Макс. частота вращения:	3600 мин ⁻¹
Моторное масло:	1,1 л
Значение CO ₂ :	743 г/kW-hr
Уровень шума:	91 дБ (А)
Уровень шума на расстоянии 7 м:	66 дБ (А)
Размеры:	см. рис. 9 , стр. 7
Вес:	110 kg
Испытания/сертификат:	 

Это измерение CO₂ является результатом испытаний в течение фиксированного цикла испытаний в лабораторных условиях (родительского) двигателя, представляющего тип двигателя (семейство двигателей), и не должно подразумевать или выражать какую-либо гарантию работы конкретного двигателя

Przed uruchomieniem urządzenia należy uważnie przeczytać niniejszą instrukcję. Instrukcję należy zachować. W razie przekazywania urządzenia należy ją udostępnić kolejnemu nabywcy.

Spis treści

1	Objaśnienie symboli	253
2	Zasady bezpieczeństwa	254
3	Odbiorcy instrukcji	256
4	Zakres dostawy	256
5	Osprzęt	257
6	Użytkowanie zgodne z przeznaczeniem	257
7	Opis techniczny	257
8	Obsługa generatora	259
9	Czyszczenie generatora	265
10	Konserwacja generatora	265
11	Usuwanie usterek	270
12	Gwarancja	272
13	Utylizacja	272
14	Dane techniczne	273

1 Objąśnienie symboli



OSTRZEŻENIE!

Wskazówka bezpieczeństwa informująca o niebezpiecznej sytuacji, która – jeśli się jej nie uniknie – może prowadzić do śmierci lub ciężkich obrażeń.



OSTROŻNIE!

Wskazówka bezpieczeństwa informująca o niebezpiecznej sytuacji, która – jeśli się jej nie uniknie – może prowadzić do lekkich lub średnich obrażeń.

**UWAGA!**

Wskazówka informująca o sytuacji, która – jeśli się jej nie uniknie – może prowadzić do powstania szkód materialnych.

**WSKAZÓWKA**

Informacje uzupełniające dotyczące obsługi produktu.

2 Zasady bezpieczeństwa

Należy stosować się do uwag dot. bezpieczeństwa i dokumentacji udostępnianych przez producenta i branżę motoryzacyjną!

Producent nie odpowiada za szkody spowodowane:

- uszkodzeniami produktu wywołanymi czynnikami mechanicznymi i niewłaściwym napięciem zasilania
- zmianami dokonanyymi w produkcie bez wyraźnej zgody producenta
- użytkowaniem w celach innych niż opisane w niniejszej instrukcji

Nie ponosi on odpowiedzialności w szczególności za szkody pośrednie, które mogą powstać w wyniku awarii generatora.

Należy przestrzegać podstawowych zasad bezpieczeństwa obowiązujących przy używaniu urządzeń elektrycznych w celu ochrony przed:

- porażeniem prądem
- pożarem
- obrażeniami ciała

2.1 Podstawowe zasady bezpieczeństwa



OSTRZEŻENIE! Nieprzestrzeganie tych ostrzeżeń może prowadzić do śmierci lub ciężkich obrażeń.

Zagrożenie zdrowia

- Urządzenie należy wykorzystywać zgodnie z jego przeznaczeniem.
- Nie należy dokonywać żadnych modyfikacji ani przezbrojeń urządzenia.

- Instalacji, konserwacji i napraw generatora mogą dokonywać tylko specjaliści, którzy zapoznali się ze związanymi z tym zagrożeniami oraz stosownymi przepisami. Niefachowe naprawy mogą spowodować poważne niebezpieczeństwo. W celu przeprowadzenia naprawy należy zwrócić się do filii producenta działającej w danym kraju (patrz tylna strona).
- Osoby (łącznie z dziećmi), które z powodu swych zdolności psychofizycznych, sensorycznych lub intelektualnych bądź niedoświadczenia lub niewiedzy nie są w stanie bezpiecznie używać urządzenia, nie powinny korzystać z niego bez nadzoru odpowiedzialnej osoby.

Ryzyko uduszenia

- Spaliny zawierają tlenek węgla, który jest bardzo trującym, bezzapachowym oraz bezbarwnym gazem. Nie wolno wdychać spalin. Pracującego silnika generatora nie wolno pozostawiać w zamkniętym garażu lub pomieszczeniu bez okien.

Porażenie prądem elektrycznym

- **Urządzenia elektryczne nie są zabawkami dla dzieci!**
Dzieci nie są w stanie ocenić zagrożeń, które mogą one powodować. Nie należy pozwalać dzieciom na korzystanie z urządzeń elektrycznych bez nadzoru.



OSTROŻNIE! Nieprzestrzeganie tych uwag może prowadzić do lekkich lub nieznaczących obrażeń.

Zagrożenie zdrowia

- Generatorsa można używać wyłącznie przy zamkniętej klapie.

Niebezpieczeństwo pożaru

- Wszystkie materiały łatwopalne, takie jak benzyna, lakiery i rozpuszczalniki, należy usunąć z otoczenia generatora.
- Należy upewnić się, że nagrzewające się części generatora nie stykają się z łatwopalnymi materiałami.
- Generator należy zaopatrywać w paliwo tylko wtedy, gdy jest on wyłączony i gdy zapewniona jest dobra wentylacja. Benzyna i gaz ciekły są substancjami łatwopalnymi i mogą spowodować wybuch.
- Tankowanie generatora przy uruchomionym silniku w sytuacji, gdy zbiornik znajduje się w jego pobliżu, jest niedozwolone.
- W przypadku rozlania benzyny należy ją dobrze zetrzeć i odczekać przed włączeniem silnika, aż znikną opary.

Zagrożenie zdrowia

- Generatorsa i przewodów nie wolno dotykać wilgotnymi rękami.

- Bezpieczniki lub automatyczne wyłączniki ciepłne należy wymieniać na urządzenia posiadające te same dane techniczne.
- Nie wolno używać urządzenia z uszkodzoną obudową i przewodami.



UWAGA! Niebezpieczeństwo uszkodzenia

- Nie należy napełniać w zbyt dużym stopniu zbiornika benzyny. W szyjce zbiornika nie może znajdować się paliwo. Należy sprawdzić, czy pokrywa jest prawidłowo zamknięta.
- W przypadku konieczności przeprowadzenia prac spawalniczych w obrębie pojazdu należy odłączyć wszystkie kable od generatora; w przeciwnym razie może dojść do uszkodzenia urządzeń elektrycznych.

2.2 Bezpieczeństwo podczas eksploatacji urządzenia



OSTRZEŻENIE! Nieprzestrzeganie tych ostrzeżeń może prowadzić do śmierci lub ciężkich obrażeń.

Porażenie prądem elektrycznym

- Podczas wykonywania prac przy urządzeniu należy zawsze odłączyć je od zasilania.

3 Odbiorcy instrukcji

Niniejsza instrukcja obsługi przeznaczona jest dla użytkowników generatora.

4 Zakres dostawy

Nazwa

Generator TEC60EV

Przełącznik przełączeniowy do aktywacji przełącznika pierwszeństwa

Panel obsługi

Tłumik dźwięków

Przewód odprowadzający gazy spalinowe

Materiał do mocowania tłumika

Przewód przyłączeniowy

Nazwa

Materiał mocujący

Instrukcja montażu

Instrukcja obsługi

5 Osprzęt

Elementy dostępne jako akcesoria (nieobjęte zakresem dostawy):

Nazwa części	Numer produktu
PR 250133, zewnętrzny zestaw uszczelek	9600025375

6 Użytkowanie zgodne z przeznaczeniem

Generator TEC60EV jest zaprojektowany do zastosowania w kamperach, busach kempingowych oraz w pojazdach wykorzystywanych komercyjnie.

Generator **nie nadaje się** do zastosowania w pojazdach wodnych.

Generator wytwarza czyste przemiennie napięcie sinusoidalne 230 V/50 Hz, do którego można podłączyć odbiorniki o łącznym obciążeniu stałym 6200 W.

Jakość prądu nadaje się także dla czułych odbiorników (np. komputerów).

Generator może ładować akumulator 12 V.

7 Opis techniczny

Generator składa się z następujących głównych elementów (rys. **1**, strona 3):

- Generator elektryczny z magnesami trwałymi (**1**)
- Silnik spalinowy tłokowy (**2**)
- Skrzynka przyłączeniowa (**3**)
- Inwerter (**4**)
- Panel obsługi (**5**)

Silnik spalinowy (**2**) wprawia w obrót połączony z nim generator elektryczny (**1**), który następnie generuje napięcie przemiennie.

Zintegrowany inwerter (**4**) przekształca to napięcie przemiennie w stabilne napięcie 230 V o częstotliwości 50 Hz.

Przy gnieździe przyłączeniowym (**3**) za drzwiami są umieszczone zaciski przyłączeniowe i przełącznik główny.

Obsługa odbywa się za pomocą panelu obsługi (**5**).

Generator posiada zintegrowaną ładowarkę służącą do ładowania podłączonego akumulatora.

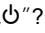
Elementy obsługi przy generatorze

Skrzynka przyłączeniowa generatora znajduje się za klapką.

Poz. na rys. 2 , strona 3	Opis	
1	Wyłącznik główny	Umożliwia włączenie lub wyłączenie generatora.
2	Bezpiecznik termiczny	Włącza się w przypadku przegrzania inwertera (patrz rozdz. „Komunikaty wyświetlane na wyświetlaczu” na stronie 261)

Elementy obsługi na panelu obsługi

Panel obsługi jest umieszczony we wnętrzu pojazdu.

Poz. na rys. 3 , strona 4	Opis	
1	Wyświetlacz	Pokazuje komunikaty o statusie.
2	Włącznik/wyłącznik „  ”?	Włącza i wyłącza panel obsługi, gdy wyłącznik główny znajduje się w pozycji „I” lub „1”. Zatrzymuje generator w sytuacji awaryjnej.
3	Szary przycisk „START/STOP”	Uruchamia/zatrzymuje generator, gdy panel obsługi jest włączony i główny wyłącznik znajduje się w położeniu „I” lub „1”.
4	Wskaźnik poziomu benzyny	Świeci się w przypadku rezerwowego poziomu benzyny.
5	Wskaźnik poziomu oleju	Świeci się, gdy poziom oleju w silniku jest za niski.

Wskazania wyświetlacza

Poz. na rys. 3, strona 4	Opis	
6	Napięcie przemienne	Bieżące napięcie wyjściowe
7	Moc ciągła	Bieżąca moc podłączonych odbiorników
8	Godziny pracy	Czas, w którym działa generator
9	Napięcie stałe	Napięcie ładowania akumulatora
10	Komunikaty	Komunikat o statusie generatora (patrz rozdz. „Komunikaty wyświetlane na wyświetlaczu” na stronie 261)

8 Obsługa generatora



UWAGA! Niebezpieczeństwo uszkodzenia

W ciągu pierwszym 50 godzin pracy (w fazie początkowej) nie należy obciążać generatora na poziomie powyżej 70 % maksymalnej wydajności trwałej.



WSKAZÓWKA

Wydłużenie trwałości generatora oraz zoptymalizowanie jego wydajności jest możliwe dzięki stosowaniu się do następującej wskazówki: Po fazie początkowej generator należy obciążać do poziomu ok. 75 % maksymalnej wydajności trwałej.

8.1 Podstawowe wskazówki dotyczące obsługi



OSTROŻNIE! Ryzyko obrażeń!

Nie należy wkładać palców ani żadnych przedmiotów w dysze powietrzne lub kratki wlotowe.

Należy stosować się do następujących podstawowych wskazówek:

- Przed każdym użyciem należy kontrolować stan oleju (rozdz. „Kontrola poziomu oleju” na stronie 264).
- Również niewielkie przeciążenia powodują zwykle zatrzymanie generatora.
- Po użyciu, przed zatrzymaniem generatora, należy pozwolić mu działać przez kilka minut bez odbiorników.

- Ostre hamowanie, przyspieszanie i jazda na zakrętach może spowodować problemy w systemie pompowania generatora i jego niezamierzone wyłączenie.
- W przypadku niekorzystania z generatora przez dłuższy czas, należy uruchamiać go co najmniej co 30 dni i pozwolić, by pracował przez minimum 15 minut.

8.2 Włączanie lub wyłączanie generatora

Za pomocą wyłącznika głównego (rys. **2** 1, strona 3) znajdującego się przy skrzynce przyłączeniowej można włączyć lub wyłączyć generator.

8.3 Włączanie i wyłączanie panelu obsługi

Za pomocą włącznika/wyłącznika (rys. **3** 2, strona 4) znajdującego się na panelu obsługi panel można włączyć oraz wyłączyć.

- Należy włączyć panel obsługi za pomocą włącznika/wyłącznika.
- ✓ Na wyświetlaczu pojawi się informacja: *GEN OFF*.
Wyświetlacz wyłączy się automatycznie po 5 minutach, jeśli w tym czasie nie zostanie naciśnięty przycisk rozruchu.
Naciśnięcie przycisku rozruchu powoduje ponowne włączenie wyświetlacza.
- ✓ Teraz można uruchomić generator.

8.4 Uruchamianie generatora

Generator można uruchomić wówczas, gdy jest włączony i gdy włączony jest również panel obsługi.

- Uruchomić generator za pomocą szarego przycisku „START/STOP” (rys. **3** 3, strona 4).

8.5 Zatrzymanie generatora

- ▶ Zatrzymać generator za pomocą szarego przycisku „START/STOP” (rys. 3, strona 4).
- ✓ Wówczas inwerter wyłącza się natychmiast. Generator natomiast działa jeszcze przez 30 sekund – po to, aby się schłodzić.



UWAGA! Niebezpieczeństwo uszkodzenia

Zawsze zatrzymywać generator za pomocą szarego przycisku „START/STOP”, aby uniknąć uszkodzenia silnika. Czerwonym wyłącznikiem głównym powinno się wyłączać generator jedynie w sytuacjach awaryjnych.

8.6 Komunikaty wyświetlane na wyświetlaczu

Komunikat na wyświetlaczu Opis	Zachowanie generatora	Środki
LOW BATTERY Napięcie akumulatora spadło poniżej minimalnej wartości, przy której można podjąć próbę uruchomienia (9 V).	Generator nie uruchamia się.	Należy naładować akumulator.
CHECK OIL LEVEL	Generator nadal działa.	Należy uzupełnić olej (patrz rozdz. „Kontrola poziomu oleju” na stronie 264).
OIL CHANGE Liczba godzin pracy osiągnęła wartość zdefiniowaną dla wymiany oleju silnikowego.	Generator nadal działa.	Należy wymienić olej (patrz rozdz. „Wymiana oleju” na stronie 267), a następnie potwierdzić komunikat poprzez naciśnięcie i krótkotrwałe przytrzymanie przycisku „START/STOP”. Następnie należy ponownie uruchomić generator poprzez naciśnięcie po raz kolejny przycisku „START/STOP”.
NO FUEL Benzyna w zbiorniku znajduje się na rezerwowym poziomie.	Generator nadal działa.	Należy zatankować.
OIL ALERT Brak oleju silnikowego.	Generator zatrzymuje się.	Należy uzupełnić olej (patrz rozdz. „Kontrola poziomu oleju” na stronie 264).

Komunikat na wyświetlaczu Opis	Zachowanie generatora	Środki
<i>GENERATOR ALERT!</i> Ogólny komunikat alarmowy Przykład: Pierścień kontrolny klapy przepustnicy gaźnika (silnik skokowy) jest uszkodzony.	Generator zatrzymuje się.	System należy sprawdzić za pomocą tabeli Zakłócenia, przyczyny i środki zaradcze. Jeśli problem nadal istnieje, należy zwrócić się do filii producenta działającej w danym kraju (patrz tylna strona).
<i>OVERLOAD!</i> Odbiorniki generują przeciążenie na wyjściu.	Inwerter wyłącza się i dlatego napięcie nie jest już oddawane, jednakże silnik nadal działa do momentu zgaśnięcia.	Należy zmniejszyć podłączone obciążenie i ponownie uruchomić generator.
<i>SHORT CIRCUIT</i> Odbiorniki generują zwarcie na wyjściu.	Inwerter wyłącza się i dlatego napięcie nie jest już oddawane, jednakże silnik nadal działa do momentu zgaśnięcia.	Należy sprawdzić stan podłączonych odbiorników i ponownie uruchomić generator.
<i>OVER TEMPERATURE</i> Przegrzanie	Inwerter wyłącza się i dlatego napięcie nie jest już oddawane, jednakże silnik nadal działa, aby schłodzić generator.	Należy odczekać kilka minut, aż generator wystygnie, a następnie ponownie go uruchomić.
<i>LOW POWER ENGINE</i> Spadek napięcia zasilania inwertera.	Generator zatrzymuje się.	Należy zmniejszyć podłączone obciążenie i ponownie uruchomić generator.
<i>OVERSPEED</i> Za duża prędkość obrotowa	Generator zatrzymuje się.	Należy ponownie uruchomić generator. Jeśli problem nadal istnieje, należy zwrócić się do filii producenta działającej w danym kraju (patrz tylna strona).
<i>START FAILED</i> Przykład: Brak benzyny, niskie temperatury, uszkodzona świeca zapłonowa, zanieczyszczony filtr powietrza	Generator jest wyłączony.	Należy ponownie uruchomić generator.
<i>GEM CAL</i> Komunikat, który pojawia się przy uruchamianiu generatora; informuje o fazie kalibracji poprzedzającej każde uruchomienie. Generator nie oddaje jeszcze napięcia.	Generator obraca się, nie generując napięcia.	Należy poczekać przez chwilę.

Komunikat na wyświetlaczu Opis	Zachowanie generatora	Środki
<i>GEN WAIT</i> Komunikat, który pojawia się w przerwie pomiędzy dwiema próbami uruchomienia.	Generator jest wyłączony.	Należy odczekać, aż komunikat zniknie, a następnie jeszcze raz podjąć próbę włączenia.
<i>GEN ON</i> Zwykły tryb pracy generatora.	Tryb zwykły	–
<i>GEN OFF</i>	Generator stoi w bezruchu i można go uruchomić	–
<i>GEN STOP</i>	Generator jest zatrzymywany.	Odczekać chwilę.
<i>WAIT COOLING</i>	Silnik pracuje bez obciążenia, aby schłodzić układ.	Odczekać chwilę.
<i>INVERTER LOST COMM</i>	Generator zatrzymuje się.	System należy sprawdzić za pomocą tabeli Zakłócenia, przyczyny i środki zaradcze. Jeśli problem nadal istnieje, należy zwrócić się do filii producenta działającej w danym kraju (patrz tylna strona).
<i>ENGINE LOST COMM</i>	Generator zatrzymuje się.	System należy sprawdzić za pomocą tabeli Zakłócenia, przyczyny i środki zaradcze. Jeśli problem nadal istnieje, należy zwrócić się do filii producenta działającej w danym kraju (patrz tylna strona).
<i>INVERTER FAILED</i>	Generator zatrzymuje się.	Należy skontaktować się z filią producenta w danym kraju (patrz tylna strona).
<i>ENG. PARAM. ERROR</i>	Generator zatrzymuje się.	Należy skontaktować się z filią producenta w danym kraju (patrz tylna strona).
<i>INV. PARAM. ERROR</i>	Generator zatrzymuje się.	Należy skontaktować się z filią producenta w danym kraju (patrz tylna strona).
<i>SOFTWARE ERROR</i>	Generator zatrzymuje się.	Należy skontaktować się z filią producenta w danym kraju (patrz tylna strona).

8.7 Kontrola poziomu oleju



OSTROŻNIE! Ryzyko obrażeń

Gorący olej może spowodować oparzenia.
Poziom oleju należy sprawdzać tylko przy wyłączonym generatorze.



WSKAZÓWKA

Generator musi stać w pozycji poziomej.

Stan oleju należy kontrolować przed każdym użyciem. W tym celu należy postępować w następujący sposób:

- ▶ Należy otworzyć klapę generatora.
- ▶ Należy go wyłączyć za pomocą wyłącznika głównego (rys. **4** 1, strona 4).
- ▶ Należy zlikwidować połączenie z biegunem dodatnim akumulatora.
- ▶ Należy wyjąć miarkę (rys. **4** 2, strona 4) z króćca wlewowego (rys. **4** 3, strona 4).
- ▶ Następnie należy wyczyścić miarkę (rys. **4** 2, strona 4) ściereczką.
- ▶ Kolejnym krokiem jest włożenie całej miarki (rys. **4** 2, strona 4) do króćca wlewowego (rys. **4** 3, strona 4).
- ▶ Następnie należy wyjąć miarkę (rys. **4** 2, strona 4) z króćca wlewowego.
- ▶ Należy sprawdzić, czy poziom oleju mieści się pomiędzy nacięciem (maksymalny poziom napełnienia) a czubkiem miarki.
Jeśli nie, należy uzupełnić olej.
- ▶ Kolejnym krokiem jest włożenie całej miarki (rys. **4** 2, strona 4) do króćca wlewowego (rys. **4** 3, strona 4).
- ▶ Sprawdzić, czy poziom oleju nie przekracza maksymalnego poziomu napełnienia.
- ▶ Następnie należy połączyć generator z biegunem dodatnim akumulatora.
- ▶ Należy włączyć generator za pomocą wyłącznika głównego (rys. **4** 1, strona 4).
- ▶ Na koniec należy zamknąć klapę generatora.

9 Czyszczenie generatora



UWAGA! Niebezpieczeństwo uszkodzenia

- Generators nie należy czyścić za pomocą urządzenia wysokociśnieniowego. Wciekająca woda może go uszkodzić.
- Zabronione jest używanie do czyszczenia ostrych i twardych przedmiotów lub środków czyszczących, ponieważ mogą one uszkodzić generator.
- Do czyszczenia generatora należy stosować jedynie wodę z łagodnym środkiem czyszczącym. W żadnym wypadku nie należy stosować benzyny, oleju napędowego ani rozpuszczalników.

- ▶ Obudowę należy czyścić od czasu do czasu wilgotną ściereczką.
- ▶ Należy regularnie usuwać zanieczyszczenia z otworów wentylacyjnych generatora, uważając przy tym, aby nie uszkodzić płytek generatora.

10 Konserwacja generatora



WSKAZÓWKA

Partnera serwisowego Dometic znajdą Państwo w Internecie: service-location.dometic.com

10.1 Tabela konserwacji



OSTRZEŻENIE!

Wykonanie prac konserwacyjnych należy powierzać wyłącznie specjalistom, którzy posiadają wiedzę na temat stosownych przepisów. Niefachowe naprawy mogą spowodować poważne niebezpieczeństwo.



WSKAZÓWKA

Realizację prac należy zlecać w podanych odstępach czasowych lub po podanej liczbie godzin pracy, w zależności od tego, który warunek zaistnieje jako pierwszy.

Interwał	Kontrola/Konservacja
W pierwszym miesiącu lub po 20 godzinach	<ul style="list-style-type: none"> ➤ Należy wymienić olej. ➤ Należy wykonać konserwację filtra powietrza (rozdz. „Konservacja filtra powietrza” na stronie 268).
Co 3 miesiące lub po 50 godzinach	<ul style="list-style-type: none"> ➤ Należy wykonać konserwację filtra powietrza (rozdz. „Konservacja filtra powietrza” na stronie 268).
Co 6 miesięcy lub po 100 godzinach	<ul style="list-style-type: none"> ➤ Należy wymienić olej. ➤ Należy wykonać konserwację świecy zapłonowej (rozdz. „Konservacja świecy zapłonowej” na stronie 269).
Raz w roku lub co 300 godzin	<ul style="list-style-type: none"> ➤ Należy wykonać konserwację zaworów. ➤ Należy wykonać konserwację zbiornika benzyny oraz filtra paliwa. ➤ Należy wykonać konserwację tłumika wibracji.
Co 2 lata	<ul style="list-style-type: none"> ➤ Skontrolować przewody paliwowe. Skontrolować przewody paliwowe.

10.2 Przygotowanie do prac konserwacyjnych



OSTROŻNIE! Ryzyko obrażeń

Podczas wszystkich prac konserwacyjnych należy pamiętać o następujących kwestiach:

- Generator nie może działać.
- Wszystkie części muszą być słodzone.

- Należy otworzyć klapę generatora.
- Należy go wyłączyć za pomocą wyłącznika głównego (rys. **2** 1, strona 3).
- Należy zlikwidować połączenie z biegunem dodatnim akumulatora.

Do wykonania prac konserwacyjnych generator można wyjąć (rys. **5**, strona 5):



OSTRZEŻENIE! Ryzyko obrażeń

Płyta nośna z generatorem jest bardzo ciężka (> 70 kg) i może wypaść z obudowy, jeśli zostanie wyjęta na zbyt dużą odległość.

- Należy odkręcić śruby mocujące (**1**).
- Na koniec należy wyjąć płytę nośną (**2**) z generatorem z obudowy (**3**).

10.3 Zakończenie prac konserwacyjnych

- ▶ Najpierw należy połączyć generator z biegunem dodatnim akumulatora.
- ▶ Należy włączyć generator za pomocą wyłącznika głównego (rys. **4** 1, strona 4).
- ▶ Na koniec należy zamknąć klapę generatora.

10.4 Wymiana oleju



OSTROŻNIE! Ryzyko obrażeń

Gorący olej może spowodować oparzenia.



UWAGA! Niebezpieczeństwo uszkodzenia

Zużyty olej należy przekazać specjalistycznej firmie w celu utylizacji lub odzysku, przestrzegając przepisów w zakresie ochrony środowiska obowiązujących w danym kraju.

Można używać następujących olejów:

- Olej klasy SAE 5W-30 (zastosowanie możliwe we wszystkich temperaturach).
- Olej o lepkości jednosezonowej: Należy wybrać odpowiednią lepkość w zależności od średniej temperatury lokalnej.

Olej wymienia się w następujący sposób:

- ▶ Należy włączyć generator, tak aby pracował przez trzy do pięciu minut w stanie nagrzanym. Wówczas olej stanie się bardziej płynny i szybko spłynie.
- ▶ Należy podstawić odpowiedni zbiornik pod śrubę spustu (rys. **6** 1, strona 5).
- ▶ Należy usunąć miarkę oleju.
- ▶ Następnie należy wyjąć tę śrubę (rys. **6** 1, strona 5).
- ✓ Olej zacznie spływać.
- ▶ Na koniec należy wlać świeży olej do króćca olejowego.
Ilość oleju wynosi: 1,1 l.
- ▶ Założyć korek spustowy.

10.5 Konserwacja filtra powietrza



OSTRZEŻENIE! Niebezpieczeństwo wybuchu!

Do czyszczenia filtra powietrza nie należy używać oleju napędowego lub rozpuszczalników z niskim punktem parowania. Mogą one spowodować zapłon i wybuch.



UWAGA! Niebezpieczeństwo uszkodzenia

Silnika nie należy nigdy uruchamiać bez filtra powietrza. W przeciwnym razie szybko ulegnie zużyciu.



WSKAZÓWKA

Gdy filtra powietrza jest zanieczyszczony, zmniejsza się strumień powietrza przemieszczający się do gaźnika. Dlatego, aby gaźnik dobrze funkcjonował, należy regularnie sprawdzać stan filtra. Kontrolę należy przeprowadzać odpowiednio częściej, jeśli generator jest używany w otoczeniu o szczególnie dużym zapyleniu.

- Przed rozpoczęciem prac konserwacyjnych należy wyjąć nieznacznie generator z obudowy: patrz rozdz. „Przygotowanie do prac konserwacyjnych” na stronie 266.
- Usunąć śruby (rys. **7** 1, strona 6) oraz pokrywę filtra (rys. **7** 2, strona 6).
- Usunąć śrubę (rys. **7** 3, strona 6).
- Należy wyjąć filtr powietrza (rys. **7** 4, strona 6).
Filtr powietrza składa się z dwóch elementów: filtra gąbkowego i papierowego.
- Należy dokładnie sprawdzić stan każdego z elementów. Należy wymienić uszkodzone elementy.
- Wyczyścić nieuszkodzone wkłady filtra: patrz poniższe sekcje.
- Założyć filtr.
- Z powrotem wkręcić śrubę.
- Założyć pokrywę filtra.
- Należy zakończyć wykonanie prac konserwacyjnych: patrz rozdz. „Zakończenie prac konserwacyjnych” na stronie 267.

Czyszczenie filtra gąbkowego

- Należy umyć gąbkę neutralnym roztworem środka myjącego, a następnie starannie ją wypłukać.
- Należy pozostawić gąbkę do wyschnięcia.
- Należy nasycić gąbkę czystym olejem silnikowym.
- Na koniec należy wycisnąć nadmiar oleju.

Czyszczenie filtra papierowego

- Należy usunąć z papieru zanieczyszczenia poprzez lekkie uderzanie w twardą powierzchnię lub przedmuchiwanie filtra od wewnątrz na zewnątrz powietrzem sprężonym.
Nie należy używać w tym celu szczotki; szczotkowanie mogłoby spowodować przeniknięcie brudu do włókien filtra papierowego.
- W przypadku silnego zabrudzenia filtr papierowy należy wymienić.

10.6 Konserwacja świecy zapłonowej



UWAGA! Niebezpieczeństwo uszkodzenia

- Świecę zapłonową należy starannie dokręcić. Niedokręcona świeca może osiągnąć bardzo wysoką temperaturę i uszkodzić silnik.
- Należy stosować wyłącznie równowartościowe świece.
- Aby zastosować nową świecę zapłonową, należy dokręcić ją o 1/2 obrotu, jeśli jest mocno osadzona na podkładce. W przypadku stosowania używanych świec wystarczy dokręcenie o 1/8 lub 1/4 obrotu.

- Przed rozpoczęciem prac konserwacyjnych należy wykonać określone czynności: patrz rozdz. „Przygotowanie do prac konserwacyjnych” na stronie 266.
- Należy zdjąć końcówkę przewodu świecy zapłonowej.
- Należy wyjąć świecę zapłonową za pomocą stosowanego w tym celu klucza.
- Następnie należy przeprowadzić kontrolę wzrokową świecy.
Jeśli świeca wygląda na zużytą lub gdy izolator jest uszkodzony bądź nadłamany, należy ją wymienić.
Jeśli świeca jest jedynie zabrudzona, należy ją wyczyścić stalową szczotką.

- Należy zmierzyć odległość pomiędzy elektrodami za pomocą grubościomierza (rys. 8, strona 6). Odległość ta musi wynosić 0,7 – 0,8 mm; w razie potrzeby można ją skorygować poprzez wygięcie elektrody.
- Należy sprawdzić, czy uszczelka świecy zapłonowej jest w dobrym stanie.
- Świecę zapłonową wkręcać ręcznie, aby uniknąć uszkodzenia gwintu.
- Należy dokręcić świecę zapłonową tak, aby przylegała do podkładki.
- Należy zakończyć wykonanie prac konserwacyjnych: patrz rozdz. „Zakończenie prac konserwacyjnych” na stronie 267.

11 Usuwanie usterek

Usterka	Przyczyna	Usuwanie
Naciśnięcie włącznika/wyłącznika nie powoduje włączenia panelu obsługi.	Akumulator rozruchowy jest rozładowany.	➤ Należy naładować akumulator rozruchowy.
	Bezpiecznik (jeśli jest) jest włączony.	➤ Należy zwrócić się do autoryzowanego warsztatu.
Po naciśnięciu przycisku uruchamiania rozrusznik nie obraca się.	Akumulator rozruchowy jest rozładowany.	➤ Należy naładować akumulator rozruchowy.
	Wyłącznik główny znajduje się w pozycji „0”.	➤ Należy ustawić wyłącznik główny w pozycji „I” lub „1”.
	Uszkodzona płytka obwodu drukowanego.	➤ Należy zwrócić się do autoryzowanego warsztatu.
Rozrusznik nie jest zasilany w prąd.	Rozrusznik nie jest zasilany w prąd.	
	Brak benzyny.	➤ Należy wlać benzynę.
	Za dużo oleju w silniku.	➤ Należy spuścić olej.
	Świeca zapłonową nie jest zasilana w prąd.	➤ Należy sprawdzić połączenia elektryczne.
	Gaźnik nie otrzymuje benzyny.	➤ Należy oczyścić gaźnik.
	Wlot powietrza jest zatkany.	➤ Należy skontrolować filtr powietrza (patrz rozdz. „Konserwacja filtra powietrza” na stronie 268).
Uszkodzony inwerter.	➤ Należy zwrócić się do autoryzowanego warsztatu.	

Usterka	Przyczyna	Usuwanie
Generator wykazuje tendencje do wyłączania się.	Za dużo oleju w silniku.	➤ Należy spuścić olej.
	Obciążenie powyżej 6,2 kW.	➤ Należy wyłączyć odbiorniki.
	Gaźnik nie otrzymuje benzyny.	➤ Należy oczyścić gaźnik.
	Wlot powietrza jest zatkany.	➤ Należy skontrolować filtr powietrza (patrz rozdz. „Konserwacja filtra powietrza” na stronie 268).
	Uszkodzony inwerter.	➤ Należy zwrócić się do autoryzowanego warsztatu.
	Zablokowany elektromagnes (rozrusznik).	
	Zabrudzony filtr powietrza.	➤ Należy skontrolować filtr powietrza (patrz rozdz. „Konserwacja filtra powietrza” na stronie 268).
Generator działa, jednak nie generuje napięcia.	Filtr paliwa jest zanieczyszczony.	➤ Wymienić filtr paliwa.
	Uszkodzony inwerter.	➤ Należy sprawdzić połączenia elektryczne.
Generator uruchamia się z dużym przyspieszeniem, a następnie zatrzymuje się i pojawia się komunikat „GENERATOR ALERT”.	Za mała prędkość obrotowa.	➤ Należy zwrócić się do autoryzowanego warsztatu.
	Uszkodzony silnik skokowy.	➤ Należy zwrócić się do autoryzowanego warsztatu.
Generowane napięcie jest niestabilne.	Uszkodzony inwerter.	➤ Należy zwrócić się do autoryzowanego warsztatu.

12 Gwarancja

Obowiązuje ustawowy okres gwarancji. Jeśli produkt jest uszkodzony, należy zgłosić się do partnera serwisowego w danym kraju (patrz tylna strona).

Nasi specjaliści służą chętnie pomocą i omówią z Państwem dalszy przebieg gwarancji.

13 Utylizacja

- ▶ Opakowanie należy wyrzucić do odpowiedniego pojemnika na śmieci do recyklingu.





Jeżeli produkt nie będzie dłużej eksploatowany, koniecznie dowiedz się w najbliższym zakładzie recyklingu lub w specjalistycznym sklepie, jakie są aktualnie obowiązujące przepisy dotyczące utylizacji.



Chroń środowisko naturalne!

Akumulatory i baterie nie zaliczają się do odpadów domowych. Uszkodzone akumulatory lub zużyte baterie należy przekazać do punktu sprzedaży lub punktu przyjmującego surowce wtórne.

14 Dane techniczne

	TEC60EV
Nr art.:	9102900303
Napięcie znamionowe wyjściowe:	230 V~ / 50 Hz
Maksymalna moc ciągła (przy 25 °C na wysokości morza):	6200 W
Napięcie wyjściowe ładowarki akumulatora:	12 V===
Maks. prąd wyjściowy ładowarki akumulatora:	30 A
Zakres temperatury roboczej:	od -15 °C do +50 °C
Całkowite zniekształcenie harmoniczne:	<3 %
Paliwo:	Benzyna zwykła ROZ 91
Zużycie:	maks. 3,7 l/h
Moc silnika:	6,6 kW (8,9 PS)
Maks. prędkość obrotowa:	3600 min ⁻¹
Olej silnikowy:	1,1 l
Wartość CO ₂ :	743 g/kW-hr
Poziom hałasu:	91 dB(A)
Poziom hałasu w odległości 7 m:	66 dB(A)
Wymiary:	patrz rys. 9 , strona 7
Ciężar:	110 kg
Kontrola/certyfikat:	 

Zamieszczona wartość dla CO₂ wynika z przeprowadzonego w warunkach laboratoryjnych ustalonego cyklu badawczego silnika (macierzystego) reprezentatywnego dla danego typu silnika (rodziny silników) i nie stanowi wyrażnej ani dorozumianej gwarancji parametrów danego silnika.

Pred uvedením zariadenia do prevádzky si prosím pozorne prečítajte tento návod a odložte si ho. V prípade odovzdania výrobku ďalšiemu používateľovi mu odovzdajte aj tento návod.

Obsah

1	Vysvetlenie symbolov	274
2	Bezpečnostné pokyny	275
3	Cieľová skupina tohto návodu	277
4	Obsah dodávky	277
5	Príslušenstvo	278
6	Používanie v súlade s určeným účelom použitia	278
7	Technický popis	278
8	Ovládanie generátora	280
9	Čistenie generátora	285
10	Údržba generátora	285
11	Odstránenie porúch	290
12	Záruka	291
13	Likvidácia	291
14	Technické údaje	292

1 Vysvetlenie symbolov



VÝSTRAHA!

Bezpečnostné upozornenie na nebezpečnú situáciu, ktorá môže viesť k usmrtieniu alebo ťažkému poraneniu, ak sa jej nezabráni.



UPOZORNENIE!

Bezpečnostné upozornenie na nebezpečnú situáciu, ktorá môže viesť k ľahkému alebo stredne ťažkému usmrtieniu alebo ťažkému poraneniu, ak sa jej nezabráni.

**POZOR!**

Upozornenie na situáciu, ktorá môže viesť k materiálnym škodám, ak sa jej nezabráni.

**POZNÁMKA**

Doplňujúce informácie týkajúce sa obsluhy produktu.

2 Bezpečnostné pokyny

Dodržiavajte bezpečnostné pokyny a podmienky predpísané výrobcom vozidla a združením automobilového priemyslu!

Výrobca v nasledujúcich prípadoch nepreberá za škody žiadnu záruku:

- Poškodenia produktu mechanickým pôsobením a nesprávnym pripájacím napätím
- Zmeny produktu bez vyjadreného povolenia výrobcu
- Použitie na iné účely ako sú účely uvedené v návode

Predovšetkým neručí za akékoľvek následné škody, zvlášť nie ani za následné škody, ktoré môžu vzniknúť následkom výpadku generátora.

Dodržiavajte nasledovné základné bezpečnostné pokyny pri používaní elektrických zariadení na ochranu pred:

- úrazom elektrickým prúdom,
- nebezpečenstvom požiaru,
- poraneniami.

2.1 Základy bezpečnosti



VÝSTRAHA! Nedodržanie týchto varovaní môže mať za následok smrť alebo vážne poranenie.

Ohrozenie zdravia

- Prístroj používajte len v súlade s jeho určeným používaním.
- Na prístroji neuskutočňujte žiadne zmeny alebo prestavby!

- Inštaláciu, údržbu a opravy generátora smú uskutočňovať len odborníci s príslušnou kvalifikáciou, ktorí sú oboznámení s rizikami spojenými s manipuláciou s generátormi a s príslušnými predpismi. Neodbornými opravami môžu vzniknúť značné nebezpečenstvá. V prípade opravy sa obráťte na pobočku výrobcu vo vašej krajine (pozri zadnú stranu).
- Osoby (vrátane detí), ktoré z dôvodu ich fyzických, zmyslových alebo duševných schopností, alebo ich neskúsenosti, alebo neznalosti nie sú schopné bezpečne používať tento prístroj, by ho nemali používať bez dozoru alebo poučenia zodpovednou osobou.

Nebezpečenstvo udusenía

- Odpadové plyny obsahujú oxid uhoľnatý, mimoriadne toxický, bezfarebný plyn bez zápachu. Výpary nevdychujte. Nenechávajte motor bežať v zatvorenej garáži alebo v miestnosti bez okien.

Úraz elektrickým prúdom

- **Elektrické prístroje nie sú hračkou pre deti!**

Deti nedokážu správne posúdiť riziká, ktoré predstavujú elektrické prístroje. Nenechávajte deti, aby používali elektrické prístroje bez dozoru.



ÚPOZORNENIE! Nedodržanie týchto upozornení môže mať za následok drobné alebo stredne ťažké poranenie.

Ohrozenie zdravia

- Generátor sa smie používať len pri zatvorenej klapke.

Nebezpečenstvo požiaru

- Odstráňte všetky ľahko zápalné materiály ako benzín, laky, rozpušťačlá atď. z blízkosti generátora.
- Uistite sa, že žiadne rýchlo sa zohrievajúce časti generátora neprídu do kontaktu s ľahko zápalnými materiálmi.
- Palivo do generátora čerpajte len vtedy, keď je vypnutý a v dobre vetraných priestoroch. Benzín a skvapalnený plyn sú ľahko zápalné a môžu explodovať.
- Palivo do generátora nečerpajte pri zapnutom motore vozidla, keď sa nádrž nachádza v blízkosti generátora.
- Ak sa benzín rozleje, dobre ho utrite a pred zapnutím motora počkajte, kým sa výpary stratia.

Úraz elektrickým prúdom

- Nedotýkajte sa generátora a vedení vlhkými rukami.

- Poistky alebo termosplínače vymieňajte len za poistky a termosplínače s rovnakými technickými údajmi.
- Zariadenie používajte len vtedy, keď kryt a vedenia nie sú poškodené.



POZOR! Nebezpečenstvo poškodenia

- Benzínovú nádrž neplňte nadmerne. V hrdle nádrže sa nesmie nachádzať benzín. Skontrolujte, či je kryt správne zatvorený.
- Ak sa na vozidle musia vykonávať zváracie práce, odpojte všetky káble ku generátoru, v opačnom prípade môže dôjsť k poškodeniu elektroniky.

2.2 Bezpečnosť pri prevádzke zariadenia



VÝSTRAHA! Nedodržanie týchto varovaní môže mať za následok smrť alebo vážne poranenie.

Úraz elektrickým prúdom

- Pri práci na zariadení vždy prerušte prívod elektrického prúdu.

3 Cieľová skupina tohto návodu

Tento návod na obsluhu sa obracia na používateľov generátora.

4 Obsah dodávky

Označenie

Generátor TEC60EV

Prepínacie relé na realizáciu prioritného spínania

Ovládací panel

Tlmič hluku

Potrubie na odpadové plyny

Upevňovací materiál na tlmič

Prípájací kábel

Upevňovací materiál

Označenie

Montážny návod

Návod na používanie

5 Príslušenstvo

Dostupné ako príslušenstvo (nie je súčasťou dodávky):

Označenie dielcov**Číslo výrobku**

PR 250133, externá tesniaca súprava

9600025375

6 Používanie v súlade s určeným účelom použitia

Generátor TEC60EV je navrhnutý na použitie v obytných vozidlách, obytných prívosoch a vozidlách na komerčné účely.

Generátor **nie** je vhodný na prevádzku v plavidlách.

Generátor vyrába čisté striedavé sínusové napätie 230 V/50 Hz, na ktoré možno pripojiť spotrebiče s celkovým stálym zaťažením 6200 W.

Kvalita prúdu je vhodná aj pre citlivé spotrebiče (napr. PC).

Generátor môže nabíjať batériu 12 V.

7 Technický popis

Generátor pozostáva z nasledujúcich hlavných prvkov (obr. **1**, strane 3):

- Generátor prúdu s permanentnými magnetmi (**1**)
- Spaľovací motor (**2**)
- Prípojný box (**3**)
- Invertor (**4**)
- Ovládací panel (**5**)

Spaľovací motor (**2**) roztočí generátor prúdu (**1**), ktorý je s ním pevne spojený a tento vyrába striedavé napätie.

Interný striedač (4) premieňa toto striedavé napätie na stabilné napätie 230 V / 50 Hz.

Na pripájacom boxe (3) vzadu za dverami sú umiestnené prípojné svorky a hlavný vypínač.

Obsluha sa uskutočňuje cez ovládací panel (5).

Generátor má integrovanú nabíjačku batérie na nabíjanie pripojenej batérie.


Ovládacie prvky na generátore

Pripájací box generátora sa nachádza za klapkou.

Pol. na obr. 2, strane 3	Popis	
1	Hlavný vypínač	Zapne generátor do prevádzkovej pohotovosti alebo vypne jeho funkcie.
2	Tepelná poistka	Spustí sa pri prehriatí invertora (pozri kap. „Hlásenia na displeji“ na strane 282)

Ovládacie prvky na ovládacom paneli

Ovládací panel je umiestnený vo vnútri vozidla.

Pol. na obr. 3, strane 4	Popis	
1	Displej	Zobrazuje hlásenia stavu.
2	Spínač zap./vyp. „  “?	Zapne a vypne ovládací panel, keď je hlavný vypínač v polohe „I“, príp. „1“. V núdzovom prípade zastaví generátor.
3	Sivé tlačidlo „START/STOP“	Spustí/zastaví generátor, keď je ovládací panel zapnutý a hlavný vypínač je na „I“, príp. „1“.
4	Indikátor hladiny benzínu	Rozsvieti sa, keď je benzín na rezerve.
5	Indikátor hladiny oleja	Rozsvieti sa, keď je nízka hladina oleja v motore.

Oznamy na displeji

Pol. na obr. 3, strane 4	Popis	
6	Striedavé napätie	Aktuálne výstupné napätie
7	Trvalý výkon	Aktuálny výkon pripojených spotrebičov
8	Prevádzkové hodiny	Čas, ktorý je generátor v prevádzke
9	Jednosmerné napätie	Nabíjacie napätie batérie
10	Hlásenia	Hlásenie stavu generátora (pozri kap. „Hlásenia na displeji“ na strane 282)

8 Ovládanie generátora



POZOR! Nebezpečenstvo poškodenia

Počas prvých 50 prevádzkových hodín (fáza zábehu), nevyužívajte generátor na viac ako 70 % maximálneho trvalého výkonu.



POZNÁMKA

Životnosť generátora môžete predĺžiť a optimalizovať jeho výkon: Po fáze zábehu zaťažujte generátor maximálne na cca 75 % maximálneho trvalého výkonu.

8.1 Základné pokyny na obsluhu



UPOZORNENIE! Nebezpečenstvo poranenia!

Do vzduchových dýz alebo nasávacej mriežky nestrkajte prsty alebo predmety.

Rešpektujte zásadné upozornenia:

- Pred každým použitím skontrolujte hladinu oleja (kap. „Skontrolujte stav oleja“ na strane 284).
- Aj malé preťaženia vedú k tomu, že sa generátor zastaví.
- Po používaní nechajte generátor niekoľko minút bez spotrebiča v prevádzke, kým ho zastavíte.
- Ostré brzdenie, zrýchľovanie a jazda vozidla v zákrutách môže vyvolať problémy čerpaceho systému generátora a viesť k neželanému vypnutiu.

- Keď nepoužívate generátor dlhší čas, naštartujte ho aspoň každých 30 dní a nechajte ho minimálne 15 minút bežať.

8.2 Zapnutie generátora do prevádzkovej pohotovosti alebo vypnutie jeho funkcie

Hlavným vypínačom (obr. **2** 1, strane 3) na prípojnom boxe sa generátor zapne do prevádzkovej pohotovosti alebo sa vypne jeho funkcia.

8.3 Zapnutie a vypnutie ovládacieho panela

Spínačom zap./vyp. (obr. **3** 2, strane 4) na ovládacom paneli sa zapne a vypne ovládací panel.

- Zapnite ovládací panel spínačom zap./vyp.
- ✓ Displej zobrazuje: *GEN OFF*.
Displej sa po 5 minútach automaticky vypne, keď sa počas tejto doby neaktivujete štartovacie tlačidlo.
Stlačením štartovacieho tlačidla môžete displej znova zapnúť.
- ✓ Teraz možno generátor zapnúť.

8.4 Spustenie generátora

Generátor možno spustiť vtedy, keď je zapnutý do prevádzkovej pohotovosti a keď je ovládací panel zapnutý.

- Naštartujte generátor so sivým tlačidlom „START/STOP“ (obr. **3** 3, strane 4).

8.5 Zastavenie generátora

- Zastavte generátor so sivým tlačidlom „START/STOP“ (obr. **3** 3, strane 4).
- ✓ Invertor sa okamžite zastaví. Generátor beží ďalej 30 sekúnd, aby sa ochladil, potom sa vypne aj generátor.



POZOR! Nebezpečenstvo poškodenia

Generátor vždy zastavte so sivým tlačidlom „START/STOP“, aby ste predišli poškodeniu motora. Generátor vypnite hlavným červeným vypínačom len v núdzovom prípade.

8.6 Hlásenia na displeji

Hlásenie na displeji Popis	Správanie generátora	Opatrenia
LOW BATTERY Napätie batérie kleslo pod minimálnu hodnotou potrebnú na uskutočnenie pokusu o štart (9 V).	Generátor nenaskočí.	Nabite batériu.
CHECK OIL LEVEL	Generátor beží ďalej.	Doplňte olej (pozri kap. „Skontrolujte stav oleja“ na strane 284).
OIL CHANGE Počítadlo prevádzkových hodín dosiahlo hodnotu určenú na výmenu oleja.	Generátor beží ďalej.	Vymeňte olej (pozri kap. „Výmena oleja“ na strane 287), potom potvrdte hlásenie dlhým stlačením tlačidla „START/STOP“. Generátor spustíte opätovným dlhým stlačením tlačidla „START/STOP“.
NO FUEL Benzín v nádrži je na rezerve.	Generátor beží ďalej.	Načerpajte benzín.
OIL ALERT Chýba motorový olej.	Generátor sa zastaví.	Doplňte olej (pozri kap. „Skontrolujte stav oleja“ na strane 284).
GENERATOR ALERT! Všeobecné výstražné hlásenia Príklad: Kontrolný krúžok škrtiaceho ventilu karburátora (krokový motor) je chybný.	Generátor sa zastaví.	Systém skontrolujte pomocou tabuľky Poruchy, príčiny a náprava. Ak problém pretrváva, obráťte sa na pobočku výrobcu vo vašej krajine (pozri zadnú stranu).
OVERLOAD! Spotrebič vytvára na výstupe preťaženie.	Invertor sa vypne, preto sa už neodovzdáva napätie, ale motor beží ďalej, kým nezhasne.	Zmenšite pripojenú záťaž a generátor znova spustite.
SHORT CIRCUIT Spotrebič vytvára na výstupe skrat.	Invertor sa vypne, preto sa už neodovzdáva napätie, ale motor beží ďalej, kým nezhasne.	Skontrolujte stav pripojeného spotrebiča, potom generátor znova spustite.
OVER TEMPERATURE Prehriatie	Invertor sa vypne, preto sa už neodovzdáva napätie, ale motor beží ďalej, aby sa ochladil generátor.	Nechajte generátor vychladnúť, počkajte niekoľko minút, potom generátor znova spustite.

Hlásenie na displeji Popis	Správanie generátora	Opatrenia
LOW POWER ENGINE Pokles napájacieho napätia invertora.	Generátor sa zastaví.	Zmenšite pripojenú záťaž a generátor znova spustíte.
OVERSPEED Príliš vysoké otáčky	Generátor sa zastaví.	Generátor znova spustíte. Ak problém pretrváva, obráťte sa na pobočku výrobcu vo vašej krajine (pozri zadnú stranu).
START FAILED Príklad: Chýba benzín, nízka teplota, chybná zapaľovacia sviečka, znečistený vzduchový filter	Generátor je vypnutý.	Generátor znova spustíte.
GEM CAL Hlásenie, ktoré sa objaví pri spustení generátora. Oznamuje fázu kalibrácie, ktorá predchádza každý štart. Generátor ešte nevydáva žiadne napätie.	Generátor sa otáča, ale nevyrába napätie.	Počkajte chvíľu.
GEM WAIT Hlásenie, ktoré sa objaví vo fáze medzi dvomi pokusmi spustenia.	Generátor je vypnutý.	Počkajte, kým hlásenie zmizne, potom sa znovu pokúste o spustenie.
GEM ON Normálna prevádzka generátora.	Normálna prevádzka	–
GEM OFF	Generátor ticho stojí a môže sa spustiť	–
GEM STOP	Generátor je zastavený.	Počkajte chvíľu.
WAIT COOLING	Motor beží bez záťaže kvôli schladeniu systému.	Počkajte chvíľu.
INVERTER LOST COMM	Generátor sa zastaví.	Systém skontrolujte pomocou tabuľky Poruchy, príčiny a náprava. Ak problém pretrváva, obráťte sa na pobočku výrobcu vo vašej krajine (pozri zadnú stranu).

Hlásenie na displeji Popis	Správanie generátora	Opatrenia
<i>ENGINE LOST COMM</i>	Generátor sa zastaví.	Systém skontrolujte pomocou tabuľky Poruchy, príčiny a náprava. Ak problém pretrváva, obráťte sa na pobočku výrobcu vo vašej krajine (pozri zadnú stranu).
<i>INVERTER FAILED</i>	Generátor sa zastaví.	V prípade opravy sa obráťte na pobočku výrobcu vo vašej krajine (pozri zadnú stranu).
<i>ENG. PARAM. ERROR</i>	Generátor sa zastaví.	V prípade opravy sa obráťte na pobočku výrobcu vo vašej krajine (pozri zadnú stranu).
<i>INV. PARAM. ERROR</i>	Generátor sa zastaví.	V prípade opravy sa obráťte na pobočku výrobcu vo vašej krajine (pozri zadnú stranu).
<i>SOFTWARE ERROR</i>	Generátor sa zastaví.	V prípade opravy sa obráťte na pobočku výrobcu vo vašej krajine (pozri zadnú stranu).

8.7 Skontrolujte stav oleja



UPOZORNENIE! Nebezpečenstvo poranenia

Horúci olej môže spôsobiť popáleniny.

Skontrolujte hladinu oleja pri vypnutom generátore.



POZNÁMKA

Generátor musí byť vo vodorovnej polohe.

Pred každým použitím skontrolujte hladinu oleja. Postupujte takto:

- Otvorte klapku generátora.
- Vypnite generátor hlavným vypínačom (obr. 4 1, strane 4).
- Odpojte kladný pól napájacej batérie.
- Vytiahnite odmerku (obr. 4 2, strane 4) z plniaceho hrdla (obr. 4 3, strane 4).
- Vyčistite odmerku (obr. 4 2, strane 4) handrou.
- Vsuňte odmerku (obr. 4 2, strane 4) celkom do plniaceho hrdla (obr. 4 3, strane 4).

- Vytiahnite odmerku (obr. **4** 2, strane 4) z plniaceho hrdla.
- Skontrolujte, či je hladina oleja medzi zárezom (maximálna hladina) a hrotom odmerky.
Ak nie, olej doplňte.
- Vsuňte odmerku (obr. **4** 2, strane 4) celkom do plniaceho hrdla (obr. **4** 3, strane 4).
- Skontrolujte, či výška hladiny oleja nepresahuje maximálnu výšku hladiny oleja.
- Spojte generátor s kladným pólom napájacej batérie.
- Zapnite generátor hlavným vypínačom (obr. **4** 1, strane 4) do stavu prevádzkovej pohotovosti.
- Zatvorte klapku generátora.

9 Čistenie generátora



POZOR! Nebezpečenstvo poškodenia

- Generátor nečistite vysokotlakovým čističom. Voda, ktorá by vnikla do generátora, ho môže poškodiť.
- Nepoužívajte na čistenie ostré alebo tvrdé predmety alebo čistiace prostriedky, pretože to môže viesť k poškodeniu generátora.
- Na čistenie strešného generátora používajte len vodu so šetrným čistiacim prostriedkom. V žiadnom prípade nepoužívajte benzín, naftu alebo rozpúšťadlá.

- Teleso generátora príležitostne vyčistite vlhkou handričkou.
- Pravidelne odstraňujte nečistoty z vetracích otvorov generátora. Dbajte na to, aby ste pri tejto nečinnosti nepoškodili lamely generátora.

10 Údržba generátora



POZNÁMKA

Vášho servisného partnera Dometic nájdete na stránke:
service-location.dometic.com

10.1 Tabuľka vykonávania údržby



VÝSTRAHA!

Údržbu smú vykonávať len odborníci, ktorí sú oboznámení s príslušnými predpismi. Neodborne vykonanými údržbovými činnosťami môžu vzniknúť značné nebezpečenstvá.



POZNÁMKA

Nasledovné činnosti údržby musia byť vykonávané v uvedených intervaloch alebo podľa uvedeného počtu prevádzkových hodín, v závislosti od toho, čo sa splní skôr.

Interval	Kontrola/údržba
V prvom mesiaci alebo po 20 hodinách	<ul style="list-style-type: none"> ➤ Dajte vymeniť olej. ➤ Dajte vykonať údržbu vzduchového filtra (kap. „Údržba vzduchového filtra“ na strane 288).
Každé 3 mesiace alebo po 50 hodinách	<ul style="list-style-type: none"> ➤ Dajte vykonať údržbu vzduchového filtra (kap. „Údržba vzduchového filtra“ na strane 288).
Každých 6 mesiacov alebo po 100 hodinách	<ul style="list-style-type: none"> ➤ Dajte vymeniť olej. ➤ Zabezpečte údržbu zapalovacej sviečky (kap. „Údržba zapalovacej sviečky“ na strane 289).
Raz ročne alebo po 300 hodinách	<ul style="list-style-type: none"> ➤ Zabezpečte údržbu ventilov. ➤ Zabezpečte údržbu benzínovej nádrže a palivového filtra. ➤ Dajte vykonať údržbu tlmiča vibrácií.
Každé 2 roky	<ul style="list-style-type: none"> ➤ Skontrolujte benzínové prírodné vedenia.

10.2 Príprava činností údržby



UPOZORNENIE! Nebezpečenstvo poranenia

Pri všetkých činnostiach údržby dodržiavajte nasledovné:

- Generátor nesmie byť v prevádzke.
- Jeho časti musia byť vychladnuté.

- Otvorte klapku generátora.
- Vypnite generátor hlavným vypínačom (obr. **2** 1, strane 3).
- Odpojte kladný pól napájacej batérie.

Pred údržbou môžete generátor vytiahnuť (obr. **5**, strane 5):



VÝSTRAHA! Nebezpečenstvo poranenia

Podkladová doska s generátorom je veľmi ťažká (> 70 kg) a môže z krytu vypadnúť, keď sa príliš ďaleko vytiahne.

- Uvoľnite upevňovacie skrutky (**1**).
- Vytiahnite podkladovú dosku (**2**) s generátorom z krytu (**3**).

10.3 Ukončenie činností údržby

- Spojte generátor s kladným pólom napájajúcej batérie.
- Zapnite generátor hlavným vypínačom (obr. **4** 1, strane 4) do stavu prevádzkovej pohotovosti.
- Zatvorte klapku generátora.

10.4 Výmena oleja



UPOZORNENIE! Nebezpečenstvo poranenia

Horúci olej môže spôsobiť popáleniny.



POZOR! Nebezpečenstvo poškodenia

Použitý olej bezpodmienečne odovzdajte špecializovaným firmám na likvidáciu a dodržiavajte zákony príslušnej krajiny týkajúce sa ochrany životného prostredia.

Môžete používať nasledovné oleje:

- Olej triedy SAE 5 W-30 (možné použitie pri všetkých teplotách).
- Olej s jednorozsahovou viskozitou: Zvoľte vhodnú viskozitu v závislosti od priemernej miestnej teploty.

Olej vymeňte nasledovne:

- Nechajte generátor zahriať behom tri až päť minút, aby bol olej tekutejší a rýchlo celkom vytiekol.
- Pod vypúšťaciu skrutku postavte vhodnú nádobu (obr. **6** 1, strane 5).
- Odstráňte tyčinku na meranie hladiny oleja.

- ▶ Odoberte vypúšťaciu skrutku (obr. **6** 1, strane 5).
- ✓ Olej vytečie.
- ▶ Nalejte čerstvý olej cez plniace hrdlo.
Množstvo oleja: 1,1 l.
- ▶ Vložte vypúšťaciu zátku.

10.5 Údržba vzduchového filtra



VÝSTRAHA! Nebezpečenstvo výbuchu!

Na čistenie vzduchového filtra nepoužívajte naftu alebo rozpúšťadlá s nízkym bodom odparovania. Mohli by sa vznietiť alebo explodovať.



POZOR! Nebezpečenstvo poškodenia

Nikdy nenechajte bežať motor bez vzduchového filtra. Ináč sa motor rýchlo opotrebuje.



POZNÁMKA

Keď je vzduchový filter znečistený, prúd vzduchu do karburátora sa znižuje. Aby karburátor fungoval, mali by ste pravidelne kontrolovať stav filtra. Skontrolujte ho častejšie, keď sa generátor používa v mimoriadne prašnom prostredí.

- ▶ Pripravte činnosti údržby a povytiahnite generátor z krytu: pozri kap. „Príprava činností údržby“ na strane 286.
- ▶ Odstráňte skrutky (obr. **7** 1, strane 6) a kryt filtra (obr. **7** 2, strane 6).
- ▶ Odstráňte skrutku (obr. **7** 3, strane 6).
- ▶ Odoberte vzduchový filter (obr. **7** 4, strane 6).
Vzduchový filter pozostáva z dvoch prvkov: špongiového filtra a papierového filtra.
- ▶ Starostlivo skontrolujte stav oboch filtračných prvkov. Poškodené filtračné prvky vymeňte.
- ▶ Vyčistite nepoškodené filtračné prvky: pozri nasledujúce odseky.
- ▶ Vložte filter.
- ▶ Znovu namontujte skrutku.

- ▶ Nasadíte kryt filtra.
- ▶ Ukončíte činnosti údržby: pozri kap. „Ukončenie činností údržby“ na strane 287.

Čistenie penového filtra

- ▶ Umyte špongiu neutrálnym umývacím roztokom a starostlivo ju opláchnite.
- ▶ Špongiu nechajte úplne vyschnúť.
- ▶ Napustite špongiu čistým motorovým olejom.
- ▶ Prebytočný olej vytlačte.

Čistenie papierového filtra

- ▶ Odstráňte z papiera nečistoty opakovaným ľahkým búchaním filtra o tvrdú plochu alebo zvonku a zvnútra vyfúkajte filter stlačeným vzduchom.
Papier **nekefujte**, pretože nečistoty by tak vnikli do vlákien papierového filtra.
- ▶ V prípade silného znečistenia papierový filter vymeňte.

10.6 Údržba zapalovacej sviečky



POZOR! Nebezpečenstvo poškodenia

- Zapalovaciu sviečku starostlivo utiahnite. Zapalovacia sviečka, ktorá nie je pevne utiahnutá, sa môže veľmi zohriať a poškodiť motor.
- Používajte výlučne zapalovacie sviečky porovnateľných parametrov.
- Keď používate novú zapalovaciu sviečku, dotiahnite ju o 1/2 otáčky, keď pevne dosadá na podložku. Keď používate použitú zapalovaciu sviečku, stačí 1/8 alebo 1/4 otáčky.

- ▶ Pripravte činnosti údržby: pozri kap. „Príprava činností údržby“ na strane 286.
- ▶ Odoberte káblovú koncovku zapalovacej sviečky.
- ▶ Vyberte zapalovaciu sviečku kľúčom na sviečky.
- ▶ Skontrolujte vizuálne zapalovaciu sviečku.
Keď je zapalovacia sviečka očividne opotrebovaná alebo izolátor je poškodený alebo nalomený, zapalovaciu sviečku vymeňte.
Keď je zapalovacia sviečka znečistená, vyčistite ju ocelovou kefkou.
- ▶ Odmerajte vzdialenosť medzi elektródami hrúbkometerom (obr. **8**, strane 6).
Musí mať 0,7–0,8 mm a v prípade potreby sa dá korigovať ohnutím elektródy.
- ▶ Skontrolujte, či je tesnenie zapalovacej sviečky neporušené.

- Ručne zaskrutkujte zapaľovaciu sviečku, aby ste predišli poškodeniu závitů.
- Zapaľovaciu sviečku dotiahnite kľúčom na sviečky tak, aby sa podložka stlačila.
- Ukončite činnosti údržby: pozri kap. „Ukončenie činností údržby“ na strane 287.

11 Odstránenie porúch

Porucha	Príčina	Odstránenie
Pri stlačení spínača zap./vyp. sa ovládací panel nezapne.	Štartovacia batéria je prázdna.	➤ Nabite štartovaciu batériu.
	Poistka (ak je k dispozícii) je aktivovaná.	➤ Obráťte sa na autorizovaný servis.
Po stlačení štartovacieho tlačidla sa štartér nespustí.	Štartovacia batéria je prázdna.	➤ Nabite štartovaciu batériu.
	Hlavný vypínač je na „0“.	➤ Nastavte hlavný vypínač do polohy „1“, príp. „1“.
	Základná doska poškodená. Štartér nemá prívod prúdu.	➤ Obráťte sa na autorizovaný servis.
Štartér sa otáča, ale generátor nenaskočí.	Nie je benzín.	➤ Doplníte benzín.
	Príliš veľa oleja v motore.	➤ Vypustíte olej.
	Zapaľovacia sviečka nemá prívod prúdu.	➤ Skontrolujte elektrické spojenia.
	Do karburátora sa nedostáva benzín.	➤ Vyčistíte karburátor.
	Nasávanie vzduchu upchaté.	➤ Skontrolujte vzduchový filter (pozri kap. „Údržba vzduchového filtra“ na strane 288).
Invertor je poškodený.	➤ Obráťte sa na autorizovaný servis.	
Generátor má tendenciu zhasnúť.	Príliš veľa oleja v motore.	➤ Vypustíte olej.
	Záťaž nad 6,2 kW.	➤ Vypnite spotrebiče.
	Do karburátora sa nedostáva benzín.	➤ Vyčistíte karburátor.
	Nasávanie vzduchu upchaté.	➤ Skontrolujte vzduchový filter (pozri kap. „Údržba vzduchového filtra“ na strane 288).
	Invertor je poškodený.	➤ Obráťte sa na autorizovaný servis.
	Elektromagnet (štartér) je zablokovaný.	
Vzduchový filter je znečistený.	➤ Skontrolujte vzduchový filter (pozri kap. „Údržba vzduchového filtra“ na strane 288).	
Palivový filter je znečistený.	➤ Vymeňte palivový filter.	

Porucha	Príčina	Odstránenie
Generátor naskočil, ale nevyrába napätie.	Invertor je poškodený. Otáčky sú príliš nízke.	<ul style="list-style-type: none"> ➤ Skontrolujte elektrické spojenia. ➤ Obráťte sa na autorizovaný servis.
Generátor sa spúšťa so silným zrýchlením a potom zastane s hlásením „GENERATOR ALERT“.	Krokový motor je chybný.	<ul style="list-style-type: none"> ➤ Obráťte sa na autorizovaný servis.
Vyrobené napätie je nestále.	Invertor je poškodený.	<ul style="list-style-type: none"> ➤ Obráťte sa na autorizovaný servis.

12 Záruka

Platí zákonom stanovená záručná lehota. Ak by bol výrobok chybný, obráťte sa na servisného partnera vo vašej krajine (pozri zadnú stranu).

Naši špecialisti vám radi pomôžu a dohodnú s vami ďalší priebeh záruky.

13 Likvidácia

- Obalový materiál podľa možnosti odovzdajte do príslušného odpadu na recykláciu.



Keď výrobok definitívne vyradíte z prevádzky, informujte sa v najbližšom recyklačnom stredisku alebo u vášho špecializovaného predajcu o príslušných predpisoch týkajúcich sa likvidácie.




Chráňte životné prostredie!

Akumulátory a batérie nepatria do domového odpadu.

Poškodené akumulátory alebo spotrebované batérie odovzdajte priamo u predajcu alebo v zbernom mieste.

14 Technické údaje

	TEC60EV
Č. výrobu:	9102900303
Výstupné menovité napätie:	230 V~ / 50 Hz
Max. trvalý výkon (pri 25 °C na úrovni mora):	6200 W
Výstupné napätie nabíjačky batérie:	12 V===
Max. výstupný prúd nabíjačky batérie:	30 A
Rozsah prevádzkovej teploty:	-15 °C až +50 °C
Celkové harmonické skreslenie:	<3 %
Palivo:	Benzín normál ROZ 91
Spotreba:	max. 3,7 l/h
Výkon motora:	6,6 kW (8,9 PS)
Max. otáčky:	3600 min. ⁻¹
Motorový olej:	1,1 l
Hodnota emisií CO ₂ :	743 g/kW-hr
Hladina zvuku:	91 dB(A)
Hladina zvuku vo vzdialenosti 7 m:	66 dB(A)
Rozmery:	pozri obr. 9 , strane 7
Hmotnosť:	110 kg
Skúška/certifikát:	

Toto meranie CO₂ vyplýva z testovania (základného) motora, ktorý reprezentuje typ motorov (rodinu motorov), počas fixného testovacieho cyklu v laboratórnych podmienkach. Nepredstavuje žiadnu záruku, ani implikovanú alebo vyjadrenú, výkonu konkrétneho motora

Před uvedením do provozu si pečlivě přečtěte tento návod k obsluze a uschovejte jej. V případě dalšího prodeje výrobku předajte návod novému uživateli.

Obsah

1	Vysvětlení symbolů	293
2	Bezpečnostní pokyny	294
3	Cílová skupina tohoto návodu	296
4	Rozsah dodávky	296
5	Příslušenství	297
6	Použití v souladu se stanoveným účelem	297
7	Technický popis	297
8	Obsluha generátoru	299
9	Čištění generátoru	304
10	Údržba generátoru	305
11	Odstraňování poruch	309
12	Záruka	311
13	Likvidace	311
14	Technické údaje	312

1 Vysvětlení symbolů



VÝSTRAHA!

Bezpečnostní upozornění na nebezpečnou situaci, která může vést k úmrtí nebo těžkému poranění osob, pokud se jí nevyhnete.



UPOZORNĚNÍ!

Bezpečnostní upozornění na nebezpečnou situaci, která může vést k lehkému nebo středně těžkému poranění osob, pokud se jí nevyhnete.

**POZOR!**

Upozornění na situaci, která může vést k poškození majetku, pokud se jí nevyhnete.

**POZNÁMKA**

Doplňující informace týkající se obsluhy výrobku.

2 Bezpečnostní pokyny

Dodržujte předepsané bezpečnostní pokyny a předpisy vydané výrobcem vozidla a autoservisem!

V následujících případech nepřebírá výrobce žádné záruky za škody:

- Poškození výrobku působením mechanických vlivů a chybného připojovacího napětí
- Změna výrobku bez výslovného souhlasu výrobce
- Použití k jiným účelům, než jsou popsány v tomto návodu

Především pak neručí za žádné následné škody, zejména také škody, které mohou vzniknout výpadkem generátoru.

Při použití elektrických přístrojů dodržujte následující zásadní bezpečnostní opatření k ochraně před těmito nebezpečími:

- úraz elektrickým proudem
- nebezpečí požáru
- úrazy

2.1 Základní bezpečnost



VÝSTRAHA! Nedodržení těchto varování by mohlo mít za následek smrt nebo vážné zranění.

Nebezpečí ohrožení zdraví

- Používejte přístroj pouze v souladu s jeho určením.
- Neprovádějte žádné úpravy nebo změny přístroje!

- Instalaci, údržbu a opravy generátoru směřují provádět pouze odborníci, kteří jsou seznámeni s nebezpečími při manipulaci s generátory a s příslušnými předpisy. Nesprávně provedené opravy mohou být zdrojem značných rizik. V případě oprav kontaktujte servisní středisko výrobce ve své zemi (viz zadní stranu).
- Osoby (včetně dětí), které z důvodu svých fyzických, senzorických nebo duševních schopností, nebo své nezkušenosti nebo neznalosti nejsou schopny bezpečně používat výrobek, nesmějí tento přístroj používat bez dohledu odpovědné osoby nebo bez jejího poučení.

Riziko udušení

- Odpadní plyny obsahují oxid uhelnatý. Jedná se o mimořádně toxický plyn bez barvy a zápachu. Nevdechujte odpadní plyny. Motor generátoru nenechávejte běžet v uzavřené garáži nebo v místnosti bez oken.

Ohrožení života elektrickým proudem

• Elektrické přístroje nejsou hračky pro děti!

Děti nedokáží správně posoudit nebezpečí, která jsou spojena s elektrickými přístroji. Děti nenechávejte bez dozoru používat elektrické přístroje.



UPOZORNĚNÍ! Nedodržení těchto upozornění by mohlo mít za následek lehké nebo střední zranění.

Nebezpečí ohrožení zdraví

- Generátor smíte používat pouze se zavřeným krytem.

Nebezpečí požáru

- Z blízkosti generátoru odstraňte všechny hořlavé materiály, jako jsou benzín, laky, rozpouštědla apod.
- Zkontrolujte, zda se do kontaktu s hořlavými materiály nemohou dostat žádné horké součásti generátoru.
- Palivo doplňujte pouze po vypnutí generátoru v dobře větraném prostředí. Benzín a kapalný plyn jsou vysoce hořlavé a mohou explodovat.
- Do generátoru nedoplňujte palivo, pokud je nastartovaný motor vozidla a generátor je v blízkosti nádrže.
- Vylitý benzín dobře otřete a před nastartováním motoru vyčkejte, než se výpary rozptýlí.

Ohrožení života elektrickým proudem

- Generátoru a vodičů se nedotýkejte mokřýma rukama.

- Pojistky nebo tepelné spínače vyměňujte pouze za výrobky o stejných technických parametrech.
- Příklad použijte pouze za předpokladu, že jsou kryt přístroje a rozvody nepoškozené.



POZOR! Nebezpečí poškození

- Benzínovou nádrž nepřepĺňujte. V ústí nádrže nesmí být žádný benzín. Zkontrolujte, zda je správně uzavřeno víčko.
- Je-li nutné na vozidle provádět svařování, odpojte všechny kabely od generátoru; jinak se elektronika může poškodit.

2.2 Bezpečnost za provozu přístroje



VÝSTRAHA! Nedodržení těchto varování by mohlo mít za následek smrt nebo vážné zranění.

Ohrožení života elektrickým proudem

- Při práci na přístroji vždy přerušte napájení elektrickým proudem.

3 Cílová skupina tohoto návodu

Tento návod k obsluze je určen uživatelům generátoru.

4 Rozsah dodávky

Název

Generátor TEC60EV

Přepínací relé k realizaci prioritního spínání

Ovládací panel

Tlumič hluku

Odvod spalin

Upevňovací materiál pro tlumič hluku

Přívodní kabel

Upevňovací materiál

Název

Návod k instalaci

Návod k obsluze

5 Příslušenství

Dodávané příslušenství (není součástí dodávky):

Název součásti	Číslo výrobku
PR 250133, externí sada těsnění	9600025375

6 Použití v souladu se stanoveným účelem

Generátor TEC 60EV je určen k použití v obytných vozech, obytných přívěsech a komerčně využívaných vozidlech.

Generátor **není** určen k instalaci v plavidlech.

Generátor generuje čistě sinusové střídavé napětí 230 V/50 Hz, ke kterému mohou být připojeny spotřebiče o celkovém trvalém zatížení 6200 W.

Kvalita proudu je vhodná i pro citlivé spotřebiče (např. počítače).

Generátor lze používat k nabíjení baterie 12 V.

7 Technický popis

Generátor se skládá z následujících hlavních součástí (obr. **1**, strana 3):

- Proudový generátor s permanentními magnety (**1**)
- Spalovací motor (**2**)
- Přípojková skříň (**3**)
- Invertor (**4**)
- Ovládací panel (**5**)

Spalovací motor (**2**) roztáčí proudový generátor (**1**), který je s ním pevně spojen, a generátor vyrábí střídavé napětí.

Vnitřní invertor (**4**) upravuje toto střídavé napětí na stabilní napětí 230 V a 50 Hz.

V přípojkové skříni (**3**) za dvířky jsou instalovány přívodní svorky a hlavní vypínač.

Obsluha se provádí na ovládacím panelu (5).

Generátor je vybaven integrovanou nabíječkou baterií k nabíjení připojené baterie.


Ovládací prvky na generátoru

Přípojková skříň generátoru je umístěna za dvířky.

Poz. na obr. 2, strana 3	Popis	
1	Hlavní vypínač	Zapnutí generátoru do pohotovostního režimu nebo vypnutí jeho funkce.
2	Tepelná pojistka	Vypne při přehřátí invertoru (viz kap. „Hlášení na displeji“ na strani 301)

Ovládací prvky na ovládacím panelu

Ovládací panel je umístěn uvnitř vozidla.

Poz. na obr. 3, strana 4	Popis	
1	Displej	Zobrazení stavových hlášení.
2	Vypínač „  “?	Zapnutí a vypnutí ovládacího panelu, pokud je hlavní vypínač v poloze „I“ nebo „1“. Vypnutí generátoru v nouzovém případě.
3	Šedé tlačítko „START/STOP“	Zapnutí a vypnutí generátoru, pokud je ovládací panel zapnutý a hlavní vypínač je v poloze „I“ nebo „1“.
4	Ukazatel stavu benzínu	Rozsvítí se, jakmile hladina benzínu dosáhne úrovně rezervy.
5	Ukazatel stavu oleje	Rozsvítí se, jakmile je hladina oleje v motoru příliš nízká.

Zobrazení na displeji

Poz. na obr. 3, strana 4	Popis	
6	Střídavé napětí	Aktuální výstupní napětí
7	Trvalý výkon	Aktuální výkon připojených spotřebičů
8	Provozní hodiny	Doba, po kterou je generátor v provozu
9	Stejnosměrné napětí	Nabíjecí napětí baterie
10	Hlášení	Stavové hlášení generátoru (viz kap. „Hlášení na displeji“ na strani 301)

8 Obsluha generátoru



POZOR! Nebezpečí poškození

Generátor nezatěžujte v prvních 50 hodinách provozu (fáze záběhu) na hodnotu vyšší než 70 % maximálního trvalého výkonu.



POZNÁMKA

Můžete tím prodloužit životnost generátoru a optimalizovat jeho výkon: Ve fázi záběhu namáhejte generátor zatížením max. cca 75 % maximálního trvalého výkonu.

8.1 Důležité pokyny k obsluze



UPOZORNĚNÍ! Nebezpečí úrazu!

Výdechy vzduchu a mřížku sání neblokujte prsty ani žádnými předměty.

Dodržujte následující základní pokyny:

- Před každým použitím zkontrolujte stav oleje (kap. „Kontrola hladiny oleje“ na strani 303).
- I malá přetížení vedou k trvalému vypnutí generátoru.
- Po použití a před vypnutím nechte generátor několik minut běžet bez připojených spotřebičů.
- Ostré brzdění, akcelerace a rychlé projíždění zatáček vozidlem může vyvolat potíže s čerpadlovým systémem generátoru a nechtěné vypnutí.

- Pokud nebudete generátor delší dobu používat, musíte jej minimálně jednou za 30 dní nastartovat a nechat minimálně 15 minut běžet.

8.2 Přepnutí generátoru do provozní pohotovosti nebo odpojení funkce

Hlavním vypínačem (obr. **2** 1, strana 3) na rozvodné skříňce generátoru zapnete do provozní pohotovosti nebo odpojíte jeho funkce.

8.3 Zapnutí a vypnutí ovládacího panelu

Vypínačem (obr. **3** 2, strana 4) na ovládacím panelu ovládací panel zapnete a vypnete.

- Zapněte ovládací panel vypínačem.
- ✓ Na displeji se zobrazí hlášení: *GEN OFF*.
Displej se za 5 min. automaticky vypne, pokud během této doby nestisknete tlačítko startéru.
Stisknutím tlačítka startéru můžete displej opět zapnout.
- ✓ Nyní můžete nastartovat generátor.

8.4 Nastartování generátoru

Generátor můžete nastartovat pouze za předpokladu, že je aktivován do provozní pohotovosti a pokud je ovládací panel zapnutý.

- Nastartujte generátor šedým tlačítkem „START/STOP“ (obr. **3** 3, strana 4).

8.5 Vypnutí generátoru

- Zastavte generátor šedým tlačítkem „START/STOP“ (obr. **3** 3, strana 4).
- ✓ Invertor se ihned vypne. Generátor běží dalších 30 sekund z důvodu chlazení, potom se generátor vypne.



POZOR! Nebezpečí poškození

Vždy zastavte generátor šedým tlačítkem „START/STOP“, aby se zabránilo poškození motoru. Odpojte funkce generátoru červeným hlavním vypínačem pouze v nouzových situacích.

8.6 Hlášení na displeji

Hlášení na displeji Popis	Chování generátoru	Opatření
LOW BATTERY Napětí baterie pokleslo pod minimální hodnotu, která umožňuje nastartování (9 V).	Generátor nelze nastartovat.	Nabijte baterii.
CHECK OIL LEVEL	Generátor běží dál.	Doplňte olej (viz kap. „Kontrola hladiny oleje“ na strani 303).
OIL CHANGE Počítadlo provozních hodin dosáhlo hodnotu určenou k výměně oleje.	Generátor běží dál.	Proveďte výměnu oleje (viz kap. „Výměna oleje“ na strani 306), potom hlášení potvrďte delším stisknutím tlačítka START/STOP. Dalším stisknutím a podržením tlačítka „START/STOP“ znovu spusťte generátor.
NO FUEL Obsah benzínu v nádrži dosáhl rezervního množství.	Generátor běží dál.	Doplňte palivo.
OIL ALERT Chybí olej v motoru.	Generátor se zastaví.	Doplňte olej (viz kap. „Kontrola hladiny oleje“ na strani 303).
GENERATOR ALERT! Obecné výstražné hlášení Příklad: Závada kontrolního kroužku škrtkicí klapky karburátoru (servomotor).	Generátor se zastaví.	Zkontrolujte systém podle tabulky s poruchami, jejich příčinami a možnostmi odstranění. V případě setrvávajícího problému kontaktujte servisní středisko výrobce ve vaší zemi (viz zadní stranu).
OVERLOAD! Spotřebiče přetížily výstup.	Invertor se vypne, proto již není dodáváno žádné napětí, ale motor běží dál, dokud nevypne.	Snižte připojené zatížení a znovu nastartujte generátor.
SHORT CIRCUIT Spotřebiče zkratovaly výstup.	Invertor se vypne, proto již není dodáváno žádné napětí, ale motor běží dál, dokud nevypne.	Zkontrolujte stav připojených spotřebičů a potom znovu nastartujte generátor.
OVER TEMPERATURE Přehřátí	Invertor se vypne, proto již není dodáváno žádné napětí, ale motor běží dál, aby chladil generátor.	Nechejte generátor vychladnout, vyčkejte několik minut, potom generátoru znovu nastartujte.

Hlášení na displeji Popis	Chování generátoru	Opatření
<i>LOW POWER ENGINE</i> Pokles napájecího napětí invertoru.	Generátor se zastaví.	Snižte připojené zatížení a znovu nastartujte generátor.
<i>OVERSPEED</i> Příliš vysoké otáčky	Generátor se zastaví.	Znovu spusťte generátor. V případě setrvávajícího problému kontaktujte servisní středisko výrobce ve vaší zemi (viz zadní stranu).
<i>START FAILED</i> Příklad: Došel benzín, nízké teploty, vadná zapalovací svíčka, znečištěný vzduchový filtr	Generátor je vypnutý.	Znovu spusťte generátor.
<i>GEN CAL</i> Hlášení, které se zobrazí při nastartování generátoru. Informuje o fázi kalibrace, která je provedena při každém nastartování. Generátor zatím negeneruje žádné napětí.	Generátor běží, ale negeneruje napětí.	Počkejte chvíli.
<i>GEN WAIT</i> Hlášení, které se zobrazí v pauze mezi dvěma pokusy o nastartování.	Generátor je vypnutý.	Vyčkejte, dokud hlášení nezmizí, potom se znovu pokuste nastartovat.
<i>GEN ON</i> Běžný provoz generátoru.	Běžný provoz	–
<i>GEN OFF</i>	Generátor je vypnutý a lze jej nastartovat	–
<i>GEN STOP</i>	Generátor je zastaven.	Počkejte chvíli.
<i>WAIT COOLING</i>	Motor běží bez zatížení k ochlazení systému.	Počkejte chvíli.
<i>INVERTER LOST COMM</i>	Generátor se zastaví.	Zkontrolujte systém podle tabulky s poruchami, jejich příčinami a možnostmi odstranění. V případě setrvávajícího problému kontaktujte servisní středisko výrobce ve vaší zemi (viz zadní stranu).

Hlášení na displeji Popis	Chování generátoru	Opatření
<i>ENGINE LOST COMM</i>	Generátor se zastaví.	Zkontrolujte systém podle tabulky s poruchami, jejich příčinami a možnostmi odstranění. V případě setrvávajícího problému kontaktujte servisní středisko výrobce ve vaší zemi (viz zadní stranu).
<i>INVERTER FAILED</i>	Generátor se zastaví.	Kontaktujte servisní středisko výrobce ve vaší zemi (viz zadní stranu).
<i>ENG. PARAM. ERROR</i>	Generátor se zastaví.	Kontaktujte servisní středisko výrobce ve vaší zemi (viz zadní stranu).
<i>INV. PARAM. ERROR</i>	Generátor se zastaví.	Kontaktujte servisní středisko výrobce ve vaší zemi (viz zadní stranu).
<i>SOFTWARE ERROR</i>	Generátor se zastaví.	Kontaktujte servisní středisko výrobce ve vaší zemi (viz zadní stranu).

8.7 Kontrola hladiny oleje



UPOZORNĚNÍ! Nebezpečí úrazu

Horký olej může způsobit popáleniny. Kontrolujte hladinu oleje pouze na vypnutém generátoru.



POZNÁMKA

Generátor musí být ve vodorovné poloze.

Před každým použitím zkontrolujte stav oleje. Postupujte takto:

- Otevřete kryt generátoru.
- Vypněte generátor hlavním vypínačem (obr. 4 1, strana 4).
- Odpojte přípojku kladného pólu napájecí baterie.
- Vytáhněte měrku (obr. 4 2, strana 4) z plnicího hrdla (obr. 4 3, strana 4).
- Vyčistěte měrku (obr. 4 2, strana 4) utěrkou.

- Nasadte měрку (obr. 4 2, strana 4) správně do plnicího hrdla (obr. 4 3, strana 4).
- Vytáhněte měрку (obr. 4 2, strana 4) z plnicího hrdla.
- Zkontrolujte, zda je hladina oleje mezi ryskou (maximální hladina) a hrotem měrky.
Pokud ne, dolijte olej.
- Nasadte měрку (obr. 4 2, strana 4) správně do plnicího hrdla (obr. 4 3, strana 4).
- Zkontrolujte, zda se hladina oleje nenachází nad maximální úrovní.
- Připojte generátor ke kladnému pólu napájecí baterie.
- Generátor přepněte hlavním vypínačem (obr. 4 1, strana 4) do pohotovostního režimu.
- Zavřete kryt generátoru.

9 Čištění generátoru



POZOR! Nebezpečí poškození

- Nečistěte generátor vysokotlakým čističem. Vniknutím vody může dojít k poškození generátoru.
- K čištění nepoužívejte ostré nebo tvrdé předměty ani čisticí prostředky, může dojít k poškození generátoru.
- K čištění generátoru používejte pouze vodu s šetrným čisticím prostředkem. V žádném případě nepoužívejte benzín, naftu nebo rozpouštědla.

- Příležitostně kryt generátoru očistěte zvenčí zvlhčenou utěrkou.
- Pravidelně odstraňujte nečistoty z větracích otvorů generátoru. Dávejte pozor, abyste přitom nepoškodili lamely generátoru.

10 Údržba generátoru



POZNÁMKA

Vyhledejte na internetu příslušného servisního partnera Dometic: service-location.dometic.com

10.1 Tabulka údržby



VÝSTRAHA!

Veškerou údržbu nechejte provést pouze odborníky, kteří jsou seznámeni s příslušnými předpisy. Nesprávně provedená údržba může být zdrojem značných rizik.



POZNÁMKA

Následující činnosti v rámci údržby nechejte provést v uvedených intervalech nebo podle počtu provozních hodin na základě toho, která z možností nastane dříve.

Interval	Kontrola/údržba
První měsíc nebo po 20 hodinách	<ul style="list-style-type: none"> ➤ Nechejte vyměnit olej. ➤ Nechejte provést údržbu vzduchového filtru (kap. „Údržba vzduchového filtru“ na strani 307).
Každé 3 měsíce nebo po 50 hodinách	<ul style="list-style-type: none"> ➤ Nechejte provést údržbu vzduchového filtru (kap. „Údržba vzduchového filtru“ na strani 307).
Každých 6 měsíců nebo po 100 hodinách	<ul style="list-style-type: none"> ➤ Nechejte vyměnit olej. ➤ Nechejte provést údržbu zapalovací svíčky (kap. „Údržba zapalovacích svíček“ na strani 308).
Každoročně nebo každých 300 hodin	<ul style="list-style-type: none"> ➤ Nechejte provést údržbu ventilů. ➤ Nechejte provést údržbu palivové nádrže a palivového filtru. ➤ Nechejte provést údržbu tlumičů vibrací.
Každé 2 roky	<ul style="list-style-type: none"> ➤ Nechejte provést údržbu palivových rozvodů.

10.2 Příprava údržby



UPOZORNĚNÍ! Nebezpečí úrazu

Při všech činnostech údržby pamatujte:

- Generátor nesmí být v provozu.
- Všechny součásti musejí být vychladlé.

- Otevřete kryt generátoru.
- Vypněte generátor hlavním vypínačem (obr. **2** 1, strana 3).
- Odpojte přípojku kladného pólu napájecí baterie.

V zájmu provedení údržby lze generátor vytáhnout ven (obr. **5**, strana 5):



VÝSTRAHA! Nebezpečí úrazu

Nosná deska s generátorem je velmi těžká (> 70 kg) a v případě přílišného povytažení ven může ze skříně vypadnout.

- Povolte upevňovací šrouby (**1**).
- Vytáhněte nosnou desku (**2**) s generátorem ze skříně (**3**).

10.3 Dokončení údržby

- Připojte generátor ke kladnému pólu napájecí baterie.
- Generátor přepněte hlavním vypínačem (obr. **4** 1, strana 4) do pohotovostního režimu.
- Zavřete kryt generátoru.

10.4 Výměna oleje



UPOZORNĚNÍ! Nebezpečí úrazu

Horký olej může způsobit popáleniny.



POZOR! Nebezpečí poškození

Použitý olej bezpodmínečně odevzdejte specializované firmě k likvidaci a recyklaci a dodržujte zákony o ochraně životního prostředí, platné v příslušné zemi.

Můžete používat tyto oleje:

- Olej třídy SAE 5W-30 (použití možné za všech teplot).
- Olej s jedním rozsahem viskozity. Vyberte vhodnou viskozitu v závislosti na průměrné teplotě oleje.

Vyměňte olej takto:

- Nechejte generátor tři až pět minut zahřívát, aby byl olej tekutější a rychleji a zcela vytekl.
- Pod vypouštěcí šroub (obr. **6** 1, strana 5) postavte vhodnou nádobu.
- Odstraňte měрку oleje.
- Vyšroubujte vypouštěcí šroub (obr. **6** 1, strana 5).
- ✓ Olej vyteče.
- Doplněte do hrdla olejové nádrže nový olej.
Množství oleje: 1,1 l.
- Vložte odtokovou zátku dovnitř.

10.5 Údržba vzduchového filtru



VÝSTRAHA! Nebezpečí exploze!

Nepoužívejte k čištění vzduchového filtru naftu nebo rozpouštědla s nízkým bodem vypařování. Může dojít ke vznícení nebo explozi.



POZOR! Nebezpečí poškození

Nikdy nenechávejte motor běžet bez vzduchového filtru. V opačném případě se motor rychle opotřebuje.



POZNÁMKA

Pokud je vzduchový filtr znečištěný, sníží se objem vzduchu proudícího do karburátoru. Aby karburátor dobře fungoval, musíte pravidelně kontrolovat stav filtru. Kontrolujte stav častěji, pokud generátor používáte v mimořádně prašném prostředí.

- Připravte se k provedení údržby a povytněte generátor ze skříně, viz kap. „Příprava údržby“ na straně 306.
- Odšroubujte šrouby (obr. **7** 1, strana 6) a odstraňte kryt filtru (obr. **7** 2, strana 6).

- ▶ Odšroubujte šroub (obr. **7** 3, strana 6).
- ▶ Vyměňte vzduchový filtr (obr. **7** 4, strana 6).
Vzduchový filtr má dvě vložky: houbovitý a papírový filtr.
- ▶ Pečlivě zkontrolujte stav obou filtračních vložek. Vyměňte poškozené filtrační vložky.
- ▶ Vyčistěte nepoškozené filtrační vložky, viz následující kapitoly.
- ▶ Vložte filtr dovnitř.
- ▶ Opět instalujte šroub.
- ▶ Nasadte kryt filtru.
- ▶ Dokončete údržbu, viz kap. „Dokončení údržby“ na straně 306.

Čištění houbovitého filtru

- ▶ Houbu vyperte v neutrálním roztoku čistícího prostředku a pečlivě ji vypláchněte.
- ▶ Nechejte houbu pečlivě vyschnout.
- ▶ Namočte houbu do čistého motorového oleje.
- ▶ Vymačkejte přebytečný olej.

Čištění papírového filtru

- ▶ Opakovaným lehkým poklepáváním o tvrdý povrch uvolněte z papíru nečistoty, nebo filtr vyfoukejte směrem ven stlačeným vzduchem.
Papír **nečistěte** kartáčkem, zatlačíte tím nečistoty do vláken papírového filtru.
- ▶ Pokud je papírový filtr příliš znečištěný, vyměňte jej.

10.6 Údržba zapalovacích svíček



POZOR! Nebezpečí poškození

- Opatrně utáhněte zapalovací svíčku. Povolená zapalovací svíčka se může velmi zahřát a poškodit motor.
- Používejte výhradně zapalovací svíčky o stejných hodnotách.
- Novou zapalovací svíčku utáhněte ještě o 1/2 otáčky, jakmile dosedne na podložku. U použitých zapalovacích svíček stačí 1/8 nebo 1/4 otáčky.

- ▶ Připravte údržbu, viz kap. „Příprava údržby“ na straně 306.

- Odpojte konektor svíčky.
- Vyšroubujte zapalovací svíčku klíčem na svíčky.
- Vizuálně zkontrolujte svíčku.
Pokud je svíčka viditelně opotřebená, nebo pokud je poškozený nebo polámaný izolant, svíčku vyměňte.
Jestliže je zapalovací svíčka pouze znečištěná, vyčistěte ji ocelovým kartáčkem.
- Vzdálenost mezi elektrodami (obr. 8, strana 6) změřte spároměrem. Vzdálenost musí být 0,7 – 0,8 mm a můžete ji případně upravit přihnutím elektrody.
- Zkontrolujte, zda je těsnění zapalovací svíčky neporušené.
- Našroubujte zapalovací svíčku rukou tak, abyste nepoškodili závit.
- Utáhněte zapalovací svíčku klíčem tak, aby došlo ke stlačení podložky.
- Dokončete údržbu, viz kap. „Dokončení údržby“ na straně 306.

11 Odstraňování poruch

Porucha	Příčina	Náprava
Po stisknutí vypínače nedojde k zapnutí ovládacího panelu.	Vybitá startovací baterie.	➤ Nabijte startovací baterii.
	Vypnula pojistka (pokud je instalována).	➤ Kontaktujte autorizovaný odborný servis.
Po stisknutí tlačítka startéru se startér neotáčí.	Vybitá startovací baterie.	➤ Nabijte startovací baterii.
	Hlavní vypínač je v poloze „0“.	➤ Přepněte hlavní vypínač do polohy „1“ nebo „1“.
	Poškozená základní deska. Startér není napájen proudem.	➤ Kontaktujte autorizovaný odborný servis.
Startér se otáčí, ale generátor nena-startuje.	Došel benzín.	➤ Doplněte benzín.
	V motoru je příliš velké množství oleje.	➤ Odlijte část oleje.
	Zapalovací svíčka bez proudu.	➤ Zkontrolujte elektrické spoje.
	Do karburátoru neteče benzín.	➤ Vyčistěte karburátor.
	Ucpané sání vzduchu.	➤ Zkontrolujte vzduchový filtr (viz kap. „Údržba vzduchového filtru“ na straně 307).
	Poškozený invertor	➤ Kontaktujte autorizovaný odborný servis.

Porucha	Příčina	Náprava
Generátor má tendenci se vypínat.	V motoru je příliš velké množství oleje.	➤ Odlijte část oleje.
	Zátěž vyšší než 6,2 kW.	➤ Odpojte spotřebič.
	Do karburátoru neteče benzín.	➤ Vyčistěte karburátor.
	Ucpané sání vzduchu.	➤ Zkontrolujte vzduchový filtr (viz kap. „Údržba vzduchového filtru“ na strani 307).
	Poškozený inverter	➤ Kontaktujte autorizovaný odborný servis.
	Elektromagnet (startér) je zablokovaný.	
	Vzduchový filtr je znečištěn.	➤ Zkontrolujte vzduchový filtr (viz kap. „Údržba vzduchového filtru“ na strani 307).
	Palivový filtr je znečištěn.	➤ Vyměňte palivový filtr.
Generátor nastartoval, ale negeneruje napětí.	Poškozený inverter	➤ Zkontrolujte elektrické spoje.
	Otáčky jsou příliš nízké.	➤ Kontaktujte autorizovaný odborný servis.
Generátor nastartuje s velkým zrychlením a následně se zastaví s hlášením „GENERATOR ALERT“.	Servomotor je vadný.	➤ Kontaktujte autorizovaný odborný servis.
Generované napětí je nestabilní.	Poškozený inverter	➤ Kontaktujte autorizovaný odborný servis.

12 Záruka

Na výrobek je poskytována záruka v souladu s platnými zákony. Pokud je výrobek vadný, kontaktujte servisního partnera ve vaší zemi (viz zadní stranu).

Naši odborníci vám rádi pomohou a projednají s vámi další průběh záruky.

13 Likvidace

► Obalový materiál likvidujte v odpadu určeném k recyklaci.



Jakmile výrobek zcela vyřadíte z provozu, informujte se v příslušných recyklačních centrech nebo u specializovaného prodejce o příslušných předpisech o likvidaci odpadu.





Chraňte životní prostředí!

Akumulátory a baterie nepatří do domovního odpadu.

Odevzdejte vadné akumulátory nebo vybité baterie prodejci nebo na sběrném místě.

14 Technické údaje

	TEC60EV
Výr. č.:	9102900303
Výstupní jmenovité napětí:	230 V~ / 50 Hz
Max. trvalý výkon (při 25 °C v úrovni moře):	6200 W
Výstupní napětí nabíječky baterie:	12 V===
Max. výstupní proud nabíječky baterie:	30 A
Rozsah provozních teplot:	-15 °C až +50 °C
Celkové harmonické zkreslení:	<3 %
Palivo:	Benzín Normal ROZ 91
Spotřeba:	max. 3,7 l/h
Výkon motoru:	6,6 kW (8,9 PS)
Max. otáčky:	3600 min ⁻¹
Motorový olej:	1,1 l
Hodnota CO ₂ :	743 g/kW-hr
Hlučnost:	91 dB(A)
Hladina hluku ve vzdálenosti 7 m:	66 dB(A)
Rozměry:	viz obr. 9 , strana 7
Hmotnost:	110 kg
Zkouška/certifikát:	 

Toto měření CO₂ je výsledkem zkoušek při stálém zkušebním cyklu za laboratorních podmínek na (výchozím) motoru, který zastupuje daný typ motoru (skupinu motorů), a neznamena ani nevyjadřuje žádnou záruku výkonnosti určitého motoru.

A készülék használata előtt gondosan olvassa el és őrizze meg ezt a használati útmutatót. Ha a készüléket továbbadja, mellékelje hozzá a használati útmutatót is.

Tartalomjegyzék

1	A szimbólumok magyarázata	313
2	Biztonsági tudnivalók	314
3	Az útmutató célcsoportja	316
4	Szállítási terjedelem	316
5	Tartozékok	317
6	Rendeltetésszerű használat	317
7	Műszaki leírás	317
8	A generátor kezelése	319
9	A generátor tisztítása	325
10	A generátor karbantartása	325
11	Üzemzavarok elhárítása	330
12	Szavatosság	332
13	Ártalmatlanítás	332
14	Műszaki adatok	333

1 A szimbólumok magyarázata



FIGYELMEZTETÉS!

Biztonsági megjegyzés olyan veszélyes helyzetre vonatkozóan, amely halált vagy súlyos sérülést okozhat, ha nem kerülnek el.



VIGYÁZAT!

Biztonsági megjegyzés olyan veszélyes helyzetre vonatkozóan, amely könnyű vagy közepesen súlyos sérülést okozhat, ha nem kerülnek el.

**FIGYELEM!**

Felhívás olyan helyzetre, amely dologi kárt okozhat, ha nem kerül el.

**MEGJEGYZÉS**

A termék kezelésére vonatkozó kiegészítő információk.

2 Biztonsági tudnivalók

Vegye figyelembe a járműgyártó és a gépjavítók által előírt biztonsági megjegyzéseket és előírásokat!

A gyártó a bekövetkező károkért a következő esetekben nem vállal felelősséget:

- a termék mechanikai behatások és helytelen csatlakozási feszültség miatti károsodása
- a termék kifejezett gyártói engedély nélküli módosítása
- az útmutatóban leírt céloktól eltérő felhasználás

A gyártó különösen nem felel következményes károkért, valamint a generátor üzemkimaradása esetén bekövetkező következményes károkért sem.

Elektromos készülékek használata előtt vegye figyelembe az alábbi alapvető biztonsági intézkedéseket az alábbi veszélyek elleni védelem érdekében:

- áramütés
- tűzveszély
- sérülések

2.1 Alapvető biztonság



FIGYELMEZTETÉS! Ezeknek a figyelmeztetéseknek a figyelmen kívül hagyása súlyos, vagy halálos sérüléshez vezethet.

Egészségkárosodás veszélye

- A készüléket csak rendeltetésszerűen használja.
- Ne végezzen módosításokat vagy átépítéseket a készüléken!
- A generátor szerelését, karbantartását és javításait csak a hűtőközegek és klímaberendezések kezelését és a vonatkozó előírásokat ismerő szakemberek végezhetik. A szakszerűtlen javítások jelentős veszélyeket okozhatnak. Javítás esetén forduljon a gyártó illetékes képviselőjéhez (lásd a hátoldalon).

- Azok a személyek (beleértve a gyermekeket is), akik fizikai, érzékszervi vagy szellemi képességeik vagy tapasztalatlanságuk vagy tudatlanságuk miatt a készüléket nem tudják biztonságosan használni, a készüléket nem használhatják felügyelet vagy felelős személy utasítása nélkül.

Fulladásveszély

- A kipufogógázok szénmonoxidot (különösen mérgező, szag- és színmentes) gázt tartalmaznak. Ne lélegezze be a kipufogógázokat. Ne járassa a generátor motorját zárt garázsban vagy ablak nélküli helyiségben.

Áramütés

- **Az elektromos készülékek nem játékszerek!**
A gyermekek az elektromos készülékekből eredő veszélyeket nem tudják ténylegesen felmérni. Soha ne hagyja, hogy gyermekek felügyelet nélkül elektromos készülékeket használjanak.



VIGYÁZAT! Ezeknek a vigyázat felhívásoknak a figyelmen kívül hagyása könnyű, vagy közepesen súlyos sérüléshez vezethet.

Egészségkárosodás veszélye

- A generátor kizárólag zárt fedéllel használható.

Tűzveszély

- Távolítsa el minden könnyen éghető anyagot (például benzint, lakokat, oldószereket stb.) a generátor közeléből.
- Győződjön meg arról, hogy a generátor forróvá váló részei nem érintkeznek könnyen éghető anyagokkal.
- A generátor tartályát csak a generátor kikapcsolt állapotában és jól szellőző területen töltsse fel. A benzin és a folyékony gáz könnyen gyulladó anyagok, és fel is robbanhatnak.
- Ne töltsse fel a generátor tartályát beindított járműmotor esetén, ha a tartály a generátor közelében van.
- Ha kiönti a benzint, gondosan törölje fel, és a motor bekapcsolásával várjon addig, míg az üzemanyag gőzei eltávoznak.

Áramütés

- Ne érintse meg a generátort és a vezetékeket nedves kézzel.
- A biztosítékokat és a termokapcsolót csak azonos műszaki adatokkal rendelkező biztosítékokra, illetve termokapcsolóra cserélje le.
- A készüléket csak akkor üzemeltesse, ha a ház és a vezetékek sérülésmentesek.



FIGYELEM! Károsodás veszélye

- Ne töltsé túlságosan tele a benzintartályt. A tartály nyakánál nem szabad benzinnel lennie. Ellenőrizze, hogy a fedél megfelelően zárva van-e.
- Amikor hegesztési munkákat végez a járművön, válassza le az összes kábelt a generátorról; ellenkező esetben az elektronika károsodhat.

2.2 Biztonság a készülék üzemeltetése során



FIGYELMEZTETÉS! Ezeknek a figyelmeztetéseknek a figyelmen kívül hagyása súlyos, vagy halálos sérüléshez vezethet.

Áramütés

- A készüléken végzendő munkák előtt mindig szakítsa meg az áramellátást.

3 Az útmutató célcsoportja

Jelen kezelési útmutató a generátor felhasználójának szól.

4 Szállítási terjedelem

Megnevezés

TEC60EV generátor

Átkapcsolórelé elsőbbségi kapcsolás megvalósításához

Kezelőpanel

Hangtompító

Kípufogóvezeték

Rögzítőanyag a hangtompítóhoz

Csatlakozókábel

Rögzítőanyag

Beépítési útmutató

Kezelési útmutató

5 Tartozékok

Tartozékként kapható (nincs mellékelve):

Alkatrész-megnevezés	Cikkszám
PR 250133, külső tömítőkészlet	9600025375

6 Rendeltetészerű használat

A TEC60EV generátor lakóautókban, lakókocsikban és kereskedelmi célú járművekben használható.

A generátor **nem** alkalmas vízi járművekbe való beszerelésre.

A generátor 230 V/50 Hz tiszta szinuszos feszültséget generál, amelyre 6200 W folyamatos összerhelésű fogyasztók csatlakoztathatók.

Az áramminőség érzékeny fogyasztók (például számítógépek) ellátására is alkalmas.

A generátor 12 V-os akkumulátort is tölthet.

7 Műszaki leírás

A generátor a következő fő elemekből áll (**1**. ábra, 3. oldal):

- Áramgenerátor tartós mágnessel (**1**)
- Robbanómotor (**2**)
- Csatlakozódoboz (**3**)
- Inverter (**4**)
- Kezelőpanel (**5**)

A robbanómotor (**2**) a vele összekapcsolt áramgenerátort (**1**) forgásba hozza, és az váltakozó feszültséget generál.

A belső inverter (**4**) ezt a váltakozó áramú feszültséget átalakítja 230 V-os és 50 Hz-es stabil feszültséggé.

A csatlakozókapcsok és a főkapcsoló az ajtó mögött, a csatlakozódobozban (**3**) vannak elhelyezve.

A kezelés egy kezelőpanelen (**5**) keresztül történik.

A generátor egy, a csatlakoztatott akkumulátor feltöltésére szolgáló, integrált akkumulátortöltővel rendelkezik.

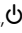
A generátoron elhelyezett kezelőelemek

A generátor csatlakozódoboz a fedél mögött található.

Tétel : (2. ábra, Leírás 3. oldal)		
1	Főkapcsoló	A generátort üzemképes vagy funkciómentes állapotba kapcsolja.
2	Termikus biztosíték	Az inverter túlmelegedése esetén old ki (lásd: „Kijelzőüzenetek” fejr., 321. oldal)

A kezelőpanelen elhelyezett kezelőelemek

A kezelőpanel a jármű belsejében van elhelyezve.

Tétel (3. ábra, Leírás 4. oldal)		
1	Kijelző	Az állapotüzeneteket jeleníti meg.
2	„  -kikapcsoló	Be- és kikapcsolja a kezelőpanelt, ha a főkapcsoló „I”, illetve „1” állásban van. Vészhelyzet esetén leállítja a generátort.
3	Szürke „START/STOP” gomb	Elindítja/leállítja a generátort, ha a kezelőpanel be van kapcsolva és a főkapcsoló „I”, illetve „1” állásban van.
4	Benzinkijelző	Világít, ha a benzin tartalék van.
5	Olajkijelző	Világít, ha a motorban lévő olajsint túl alacsony.

Kijelzőmegjelenítések

Tétel (3. ábra, Leírás 4. oldal)		
6	Váltakozó feszültség	Aktuális kimeneti feszültség
7	Tartós teljesítmény	A csatlakoztatott fogyasztók aktuális teljesítménye
8	Üzemórák	A generátor üzemelésének időtartama
9	Egyenfeszültség	Az akkumulátor töltőfeszültsége
10	Üzenetek	A generátor állapotüzenete (lásd: „Kijelző-üzenetek” fejj., 321. oldal)

8 A generátor kezelése



FIGYELEM! Károsodás veszélye

Az első 50 üzemórában (bejáratási időszak) még ne terhelje a generátort a maximális tartós teljesítmény 70 %-ánál nagyobb mértékben.



MEGJEGYZÉS

Ezzel a generátor élettartamát meghosszabbítja és teljesítményét optimalizálja: A generátort a bejáratási időszak után legfeljebb a maximális tartós teljesítmény 75 %-ával terhelje.

8.1 A kezelésre vonatkozó alapvető megjegyzések



VIGYÁZAT! Sérülésveszély!

Ne dugja ujját és ne dugjon be tárgyakat a légbefúvókba vagy a szívórácsba.

Vegye figyelembe a következő alapvető megjegyzéseket:

- Minden felhasználás előtt ellenőrizze az olajsintet („Az olajsint ellenőrzése” fejj., 324. oldal).
- Hosszú távon már a kis túlterhelések is a generátor leállítását okozhatják.
- Használat után, megállítás előtt járassa még a generátort néhány percig terhelés nélküli üzemben.

- A jármű hirtelen lefékezése, gyorsítása és kanyarban való haladása problémát okozhat a generátor szivattyúrendszerében és annak akaratlan kikapcsolódását okozhatja.
- Ha a generátort hosszabb ideig nem használja, akkor legalább 30 naponként indítsa el és járassa legalább 15 percig.

8.2 A generátor üzemkész vagy funkciómentes állapotba kapcsolása

A generátor a csatlakozódobozon lévő főkapcsolóval (2. ábra 1, 3. oldal) kapcsolható üzemkész vagy funkciómentes állapotba.

8.3 A kezelőpanel be- és kikapcsolása

A kezelőpanel a kezelőpanelen lévő be-/kikapcsolóval (3. ábra 2, 4. oldal) kapcsolható be vagy ki.

- ▶ Kapcsolja be a be-/kikapcsolóval a kezelőpanelét.
- ✓ A kijelzőn az alábbi jelenik meg: *GEN OFF*.
A kijelző 5 perc után automatikusan kikapcsol, ha ezen idő alatt az indítógomb nem lett működtetve.
Az indítógomb megnyomásával a kijelző újból bekapcsolható.
- ✓ A generátor most már indítható.

8.4 A generátor indítása

A generátor csak akkor indítható, ha üzemkész állapotba van kapcsolva és ha a kezelőpanel be van kapcsolva.

- ▶ Indítsa el a generátort a sötét „START/STOP” gombbal (3. ábra 3, 4. oldal).

8.5 A generátor leállítása

- ▶ Állítsa le a generátort a szürke „START/STOP” gombbal (3. ábra 3, 4. oldal).
- ✓ Az inverter azonnal kikapcsol. A generátor a lehűléséig még 30 másodpercig működik, majd szintén leáll.



FIGYELEM! Károsodás veszélye

Mindig a szürke „START/STOP” gombbal állítsa le a generátort, hogy elkerülje a motor károsodását.

Kizárólag vészhelyzet esetén használja a főkapcsolót a generátor működésének leállításához.

8.6 Kijelzőüzenetek

Kijelzőüzenet Leírás	A generátor viselkedése	Intézkedések
LOW BATTERY Az akkumulátorfeszültség az indítási kísérletek végrehajtásához szükséges minimális érték (9 V) alá csökkent.	A generátor nem indul el.	Töltse fel az akkumulátort.
CHECK OIL LEVEL	A generátor tovább jár.	Töltsön utána olajat (lásd: „Az olajsint ellenőrzése” fejj., 324. oldal).
OIL CHANGE Az üzemórák száma elérte a motorolajcserére előzetesen megadott értéket.	A generátor tovább jár.	Hajtsa végre az olajcserét (lásd: „Olajcsere” fejj., 327. oldal), majd a jelentést a „START/STOP” gomb nyomva tartásával hagyja jóvá. A „START/STOP” további nyomva tartásával indítsa újra a generátort.
NO FUEL A tartályban lévő üzemanyag tartalékon áll.	A generátor tovább jár.	Töltsön be üzemanyagot.
OIL ALERT Motorolaj hiányzik.	A generátor leáll.	Töltsön utána olajat (lásd: „Az olajsint ellenőrzése” fejj., 324. oldal).

Kijelzőüzenet Leírás	A generátor viselkedése	Intézkedések
<i>GENERATOR ALERT!</i> Általános riasztás Példa: A porlasztó (léptetőmotor) fojtószelepének vezérlőgyűrűje meghibásodott.	A generátor leáll.	Ellenőrizze a rendszert az „Üzemzavarok, okok és megoldások” táblázat () segítségével. Ha a probléma továbbra is fennáll, akkor forduljon a gyártó képviselőjéhez (lásd a hátoldalon).
<i>OVERLOAD!</i> A fogyasztók a kimeneten túlterhelést okoznak.	Az inverter kikapcsol; emiatt többé nem jelenik meg feszültség a kimeneten, de a motor a leállásig még jár.	Csökkentse a csatlakoztatott terhelést és indítsa el újból a generátort.
<i>SHORT CIRCUIT</i> A fogyasztók a kimeneten rövidzárlatot okoznak.	Az inverter kikapcsol; emiatt többé nem jelenik meg feszültség a kimeneten, de a motor a leállásig még jár.	Ellenőrizze a csatlakoztatott fogyasztók állapotát, majd indítsa újra a generátort.
<i>OVER TEMPERATURE</i> Túlmelegedés	Az inverter kikapcsol; emiatt többé nem jelenik meg feszültség a kimeneten, de a motor a generátor hűtése érdekében még jár.	Hagyja kihűlni a generátort, várjon néhány percet, majd indítsa újra a generátort.
<i>LOW POWER ENGINE</i> Az inverter tápfeszültségének leesése.	A generátor leáll.	Csökkentse a csatlakoztatott terhelést és indítsa el újból a generátort.
<i>OVERSPEED</i> Túl magas fordulatszám	A generátor leáll.	Indítsa újra a generátort. Ha a probléma továbbra is fennáll, akkor forduljon a gyártó képviselőjéhez (lásd a hátoldalon).
<i>START FAILED</i> Példa: Nincs benzin, hideg hőmérsékletek, hibás gyújtógyertya, szennyezett légszűrő.	A generátor ki van kapcsolva.	Indítsa újra a generátort.
<i>GEN CAL</i> A generátor indításánál megjelenő üzenet; a valamennyi indítást megelőző kalibrálási időszakot jelzi. A generátor még nem ad le feszültséget.	A generátor forog, de nem generál feszültséget.	Várjon néhány másodpercig.
<i>GEN WAIT</i> Két indítási kísérlet közötti szünetben megjelenő üzenet.	A generátor ki van kapcsolva.	Várjon az üzenet eltűnéséig; ezt követően tegyen újabb indítási kísérletet.

Kijelzőüzenet Leírás	A generátor viselkedése	Intézkedések
GEN ON A generátor normál üzeme.	Normál üzem	–
GEN OFF	A generátor nyugalmi állapotban van és elindítható	–
GEN STOP	A generátor le van állítva.	Várjon néhány másodpercig.
WAIT COOLING	A motor terhelés nélkül működik, hogy lehűtse a rendszert.	Várjon néhány másodpercig.
INVERTER LOST COMM	A generátor leáll.	Ellenőrizze a rendszert az „Üzemzavarok, okok és megoldások” táblázat () segítségével. Ha a probléma továbbra is fennáll, akkor forduljon a gyártó képviselőjéhez (lásd a hátoldalon).
ENGINE LOST COMM	A generátor leáll.	Ellenőrizze a rendszert az „Üzemzavarok, okok és megoldások” táblázat () segítségével. Ha a probléma továbbra is fennáll, akkor forduljon a gyártó képviselőjéhez (lásd a hátoldalon).
INVERTER FAILED	A generátor leáll.	Forduljon a gyártó illetékes képviselőjéhez (lásd a hátoldalon).
ENG. PARAM. ERROR	A generátor leáll.	Forduljon a gyártó illetékes képviselőjéhez (lásd a hátoldalon).
INV. PARAM. ERROR	A generátor leáll.	Forduljon a gyártó illetékes képviselőjéhez (lásd a hátoldalon).
SOFTWARE ERROR	A generátor leáll.	Forduljon a gyártó illetékes képviselőjéhez (lásd a hátoldalon).

8.7 Az olajsint ellenőrzése



VIGYÁZAT! Sérülésveszély

A forró olaj égéseket okozhat.
Az olajsintet csak kikapcsolt generátornál ellenőrizze.



MEGJEGYZÉS

A generátornak vízszintesen kell lennie.

Minden felhasználás előtt ellenőrizze az olajsintet. Ehhez a következő módon járjon el:

- ▶ Nyissa ki a generátor ajtaját.
- ▶ Kapcsolja a generátort a főkapcsolóval (4. ábra 1, 4. oldal) funkciómentes állapotba.
- ▶ Válassza le az ellátó akkumulátor plusz pólusához csatlakozó vezetékét.
- ▶ Húzza ki a nívópálcát (4. ábra 2, 4. oldal) a betöltőcsonkból (4. ábra 3, 4. oldal).
- ▶ Tisztítsa meg a nívópálcát (4. ábra 2, 4. oldal) egy ronggyal.
- ▶ Dugja be teljesen a nívópálcát (4. ábra 2, 4. oldal) a betöltőcsonkba (4. ábra 3, 4. oldal).
- ▶ Húzza ki a nívópálcát (4. ábra 2, 4. oldal) a betöltőcsonkból.
- ▶ Ellenőrizze, hogy az olajsint a nívópálca rovátkája (maximum töltési szint) és csúcsa között van-e.
Ha nem, akkor töltsön utána olajat.
- ▶ Dugja be teljesen a nívópálcát (4. ábra 2, 4. oldal) a betöltőcsonkba (4. ábra 3, 4. oldal).
- ▶ Biztosítsa, hogy az olajsint ne legyen a maximális töltöttségi szint felett.
- ▶ Csatlakoztassa a generátort az ellátó akkumulátor plusz pólusához.
- ▶ Kapcsolja a generátort a főkapcsolóval (4. ábra 1, 4. oldal) üzemkész állapotba.
- ▶ Zárja be a generátor ajtaját.

9 A generátor tisztítása



FIGYELEM! Sérülésveszély!

- Ne tisztítsa a generátort nagynyomású tisztítóval. A behatoló víz a generátor meghibásodását okozhatja.
- Ne használjon éles vagy kemény eszközöket vagy tisztítószereket a tisztításhoz, mivel azok a generátor károsodását okozhatják.
- A generátor tisztításához csak kíméletes tisztítószert tartalmazó vizet használjon. Semmilyen esetben ne használjon benzint, gázolajat vagy oldószert.

- ▶ Alkalmanként tisztítsa meg a generátor burkolatát nedves ruhával.
- ▶ Rendszeresen ellenőrizze és távolítsa el a szennyeződések a generátor szellőzőnyílásaitól. Ügyeljen arra, hogy ennek során ne sérüljenek meg a generátor lamellái.

10 A generátor karbantartása



MEGJEGYZÉS

Keresse meg Dometic szervizpartnerét az interneten:
service-location.dometic.com

10.1 Karbantartási táblázat



FIGYELMEZTETÉS!

Minden karbantartási munkálatot olyan szakemberekkel végeztessen el, akik ismerik a vonatkozó előírásokat. A szakszerűtlen karbantartási munkák jelentős veszélyeket okozhatnak.



MEGJEGYZÉS

A következő karbantartási munkákat a megadott időszakonként vagy a megadott üzemórák letelte után végezze el attól függően, hogy melyik eset fordul elő korábban.

Időszak	Ellenőrzés / karbantartás
Az első hónapban vagy 20 üzemóra után	<ul style="list-style-type: none"> ➤ Végeztesse el az olaj cseréjét. ➤ Végeztesse el a légszűrő tisztítását („A légszűrő karbantartása” fej., 328. oldal).
3 havonta vagy 50 üzemóra után	<ul style="list-style-type: none"> ➤ Végeztesse el a légszűrő tisztítását („A légszűrő karbantartása” fej., 328. oldal).
6 havonta vagy 100 üzemóra után	<ul style="list-style-type: none"> ➤ Végeztesse el az olaj cseréjét. ➤ Végeztesse el a gyújtógyertya karbantartását („A gyújtógyertya karbantartása” fej., 329. oldal).
Évente vagy 300 üzemóránként	<ul style="list-style-type: none"> ➤ Végeztesse el a szelepek karbantartását. ➤ Végeztesse el a benzintartály és az üzemenyagszűrő karbantartását. ➤ Végeztesse el a rezgőpárologtató karbantartását.
2 évente	<ul style="list-style-type: none"> ➤ Ellenőrizze a benzinvezetéseket.

10.2 A karbantartási munkák előkészítése



VIGYÁZAT! Sérülésveszély

Valamennyi karbantartási munkánál vegye figyelembe a következőket:

- A generátornak nem szabad üzemben lennie.
- Valamennyi alkatrésznek legyen lehűlve.

- Nyissa ki a generátor ajtaját.
- Kapcsolja a generátort a főkapcsolóval (**2**. ábra 1, 3. oldal) funkciómentes állapotba.
- Válassza le az ellátó akkumulátor plusz pólusához csatlakozó vezetékét.

Karbantartási munkálatokhoz kihúzhatja a generátort (**5**. ábra, 5. oldal):



FIGYELMEZTETÉS! Sérülésveszély

A tartólemez a generátorral együtt nagyon nehéz (> 70 kg), és kieshet a házból, ha túlságosan kihúzza.

- Lazítsa meg a rögzítő csavarokat (**1**).
- Húzza ki a tartólemezt (**2**) a generátorral a házból (**3**).

10.3 A karbantartási munkák lezárása

- ▶ Csatlakoztassa a generátort az ellátó akkumulátor plusz pólusához.
- ▶ Kapcsolja a generátort a főkapcsolóval (4. ábra 1, 4. oldal) üzemkész állapotba.
- ▶ Zárja be a generátor ajtaját.

10.4 Olajcsere



VIGYÁZAT! Sérülésveszély

A forró olaj égéseket okozhat.



FIGYELEM! Károsodás veszélye

A fáradtolajat feltétlenül ártalmatlanítással vagy visszanyeréssel foglalkozó cégeknek adja át, és vegye figyelembe a vonatkozó környezetvédelmi törvényeket.

A következő olajok használhatók:

- SAE 5W-30 típusú olaj (bármilyen hőmérsékleten használható)
- Egytartományú viszkozitással rendelkező olaj
A megfelelő viszkozitást az átlagos helyi hőmérséklet függvényében válassza meg.

Így cserélje le az olajat:

- ▶ Járassa melegre a generátort három-öt percre, hogy az olaj folyékonyabbá váljon és gyorsan és teljesen lefolyhasson.
- ▶ Állítson egy megfelelő tartályt a leeresztő csavar alá (6. ábra 1, 5. oldal).
- ▶ Távolítsa el az olaj nívópalcáját.
- ▶ Vegye ki a leeresztő csavart (6. ábra 1, 5. oldal).
- ✓ Kifolyik az olaj.
- ▶ Töltse be a friss olajat a betöltőcsonkba.
Az olaj mennyisége: 1,1 l.
- ▶ Helyezze be a leeresztőcsavart.

10.5 A légszűrő karbantartása



FIGYELMEZTETÉS! Robbanásveszély!

A légszűrő tisztításához ne használjon dízelolajat vagy alacsony párolgáspontú oldószert. Ezek meggyulladhatnak és felrobbanhatnak.



FIGYELEM! Károsodás veszélye

Soha ne járassa a motort légszűrő nélkül. Ellenkező esetben a motor gyorsan elkopik.



MEGJEGYZÉS

A légszűrő elszennyeződése esetén a porlasztó felé haladó légáram csökken. A porlasztó megfelelő működése érdekében rendszeresen ellenőrizze a szűrő állapotát. Az ellenőrzést gyakrabban végezze, ha a generátor különösen poros környezetben üzemel.

- Készítse elő a karbantartási munkálatokat, és kissé húzza ki a generátort a házból, lásd: „A karbantartási munkák előkészítése” fejj., 326. oldal
- Távolítsa el a csavarokat (7. ábra 1, 6. oldal) és a szűrőfedelelet (7. ábra 2, 6. oldal).
- Távolítsa el a csavart (7. ábra 3, 6. oldal).
- Távolítsa el a légszűrőt (7. ábra 4, 6. oldal).
A légszűrő két elemből áll: egy szivacsszűrőből és egy papírszűrőből.
- Mindkét szűrőelem állapotát gondosan ellenőrizze. Cserélje ki a sérült szűrőelemeket.
- Tisztítsa meg az ép szűrőelemeket: lásd a következő szakaszokat.
- Helyezze be a szűrőt.
- Szerelje vissza a csavart.
- Illessze a helyére a szűrőfedelelet.
- Fejezze be a karbantartási munkálatokat, lásd „A karbantartási munkák lezárása” fejj., 327. oldal.

A szivacsszűrő tisztítása

- Semleges mosószeres oldattal mossa meg a szivacsot, és gondosan öblítse ki.
- Hagyja teljesen megszáradni a szivacsot.

- Tiszta motorolajjal itassa át a szivacsot.
- Nyomja ki belőle a felesleges olajat.

A papírszűrő tisztítása

- Kemény felületen történő ismételt könnyű ütögetéssel távolítsa el a szennyeződések a papírról, vagy belülről kifelé sűrített levegővel fújja ki a szűrőt.
A papírt **ne** fedje le, mert a szennyeződés így nem juthat a papírszűrő szálai közé.
- Erős szennyeződés esetén cserélje ki a papírszűrőt.

10.6 A gyújtógyertya karbantartása



FIGYELEM! Károsodás veszélye

- Óvatosan húzza ki a gyújtógyertyát. A nem elég szorosan meghúzott gyújtógyertya nagyon felforrósodhat, és a motor károsodását idézheti elő.
- Kizárólag egyenértékű gyújtógyertyákat használjon.
- Ha új gyújtógyertyát helyez be, akkor 1/2 fordulattal húzza meg, amikor már az alátéten ül. Használt gyújtógyertya esetén 1/8 vagy 1/4 fordulat is elegendő.

- Készítse elő a karbantartási munkálatokat, lásd „A karbantartási munkák előkészítése” fejr., 326. oldal.
- Vegye le a gyertyadugaszt.
- Gyertyakulccsal vegye ki a gyújtógyertyát.
- Szemrevételezéssel ellenőrizze a gyújtógyertyát.
Ha a gyújtógyertya láthatóan elhasználódott vagy az izolátor sérült vagy megpedt, akkor cserélje ki a gyújtógyertyát.
Ha a gyújtógyertya csak szennyezett, akkor acélkefével tisztítsa meg.
- Vastagságmérővel mérje meg az elektródák közötti távolságot. (**8** . ábra, 6. oldal). 0,7 – 0,8 mm között kell lennie, és adott esetben az elektróda meghajtásával korrigálható.
- Ellenőrizze, hogy a gyújtógyertya tömítése ép-e.
- Csavarja be kézzel a gyújtógyertyát, hogy a menet sérülése elkerülhető legyen.

- Gyertyakulccsal úgy húzza meg a gyújtógyertyát, hogy az az alátéttel össze legyen nyomva.
- Fejezze be a karbantartási munkálatokat, lásd „A karbantartási munkák lezárása” fejj., 327. oldal.

11 Üzemzavarok elhárítása

Hiba	Ok	Elhárítás
A be-/kikapcsoló megnyomásánál kezelőpanel nem kapcsol be.	Az indítóakkumulátor lemerült.	➤ Töltse fel az indítóakkumulátort.
	A biztosíték (ha van) kioldott.	➤ Forduljon jogosult szakszervizhez.
Az indítógomb megnyomásakor az indítómotor nem forog.	Az indítóakkumulátor lemerült.	➤ Töltse fel az indítóakkumulátort.
	A főkapcsoló „0” állásban van.	➤ Állítsa a főkapcsolót „I”, illetve „1” állásba.
	Sérült az aljzat.	➤ Forduljon jogosult szakszervizhez.
	Az indítómotor nem kap áramot.	
Az indítómotor forog, de a generátor nem indul el.	Nincs benzin.	➤ Töltse után benzinnel.
	Túl sok az olaj a motorban.	➤ Engedjen le olajat.
	A gyújtógyertya nem kap áramot.	➤ Ellenőrizze az elektromos csatlakozásokat.
	A porlasztó nem kap benzint.	➤ Tisztítsa meg a porlasztót.
	A légbeszívás eltömődött.	➤ Ellenőrizze a légszűrőt (lásd: „A légszűrő karbantartása” fejj., 328. oldal).
	Az inverter megsérült.	➤ Forduljon jogosult szakszervizhez.

Hiba	Ok	Elhárítás
A generátor lefulladásra hajlamos.	Túl sok az olaj a motorban.	▶ Engedjen le olajat.
	A terhelés túllépi a 6,2 kW-ot.	▶ Kapcsoljon ki fogyasztókat.
	A porlasztó nem kap benzint.	▶ Tisztítsa meg a porlasztót.
	A légszivás eltömődött.	▶ Ellenőrizze a légszűrőt (lásd: „A légszűrő karbantartása” fejj., 328. oldal).
	Az inverter megsérült.	▶ Forduljon jogosult szakszervizhez.
	Az elektromágnes (indítómotor) blokkolva van.	
	A légszűrő elszennyeződött.	▶ Ellenőrizze a légszűrőt (lásd: „A légszűrő karbantartása” fejj., 328. oldal).
	Elszennyeződött az üzemanyagszűrő.	▶ Cserélje ki az üzemanyagszűrőt.
A generátor elindult, de nem generál feszültséget.	Az inverter megsérült.	▶ Ellenőrizze az elektromos csatlakozásokat.
	Túl alacsony a fordulatszám.	▶ Forduljon jogosult szakszervizhez.
A generátor erős gyorsulással indul, majd a „GENERATOR ALERT” üzenettel leáll.	Hibás a léptetőmotor.	▶ Forduljon jogosult szakszervizhez.
A generált feszültség nem stabil.	Az inverter megsérült.	▶ Forduljon jogosult szakszervizhez.

12 Szavatosság

A termékre a törvény szerinti szavatossági időszak érvényes. A termék meghibásodása esetén forduljon az illetékes szervizpartnerhez (lásd a hátoldalon).

Szakembereink szívesen nyújtanak segítséget és felvilágosítást adnak a szavatosságra vonatkozó további tudnivalókról.

13 Ártalmatlanítás

- A csomagolóanyagot lehetőleg a megfelelő újrahasznosítható hulladék közé tegye.



Ha a terméket véglegesen kivonja a forgalomból, kérjük, tájékozódjon a legközelebbi hulladékártalmatlanító központnál vagy a szakkereskedőjénél az idevonatkozó ártalmatlanítási előírásokkal kapcsolatosan.




Védje környezetét!

Az akkumulátorok és elemek nem a háztartási hulladékba valók.

Adja le a meghibásodott akkumulátorokat vagy elhasznált elemeket a kereskedőnél vagy egy gyűjtőhelyen.

14 Műszaki adatok

	TEC60EV
Cikkszám:	9102900303
Névleges kimeneti feszültség:	230 V~ / 50 Hz
Legnagyobb tartós teljesítmény (25 °C-on, tengeszinten):	6200 W
Akkumulátortöltő kimeneti feszültsége:	12 V===
Akkumulátortöltő legnagyobb kimeneti árama:	30 A
Üzemelési hőmérséklet-tartomány:	-15 °C – +50 °C
Teljes harmonikus torzítás:	<3 %
Üzemanyag:	ROZ 91 hagyományos benzin
Fogyasztás:	max. 3,7 l/h
Motorteljesítmény:	6,6 kW (8,9 LE)
Max. fordulatszám:	3600 min ⁻¹
Motorolaj:	1,1 l
CO ₂ -érték:	743 g/kW-hr
Zajszint:	91 dB (A)
Zajszint 7 m-es távolságban:	66 dB (A)
Méretek:	lásd: 9 . ábra, 7. oldal
Tömeg:	110 kg
Vizsgálat / tanúsítvány:	 

A CO₂ mérés eredménye laboratóriumi körülmények közt, meghatározott vizsgálati ciklus során, a motortípust (motorcsaládot) képviselő alapmotoron elvégzett vizsgálaton alapul, és nem jelent kifejezett vagy hallgatólagos garanciát egy adott motor teljesítményére vonatkozóan.

Mobile living made easy.



dometic.com

**YOUR LOCAL
DEALER**

dometic.com/dealer

**YOUR LOCAL
SUPPORT**

dometic.com/contact

**YOUR LOCAL
SALES OFFICE**

dometic.com/sales-offices

A complete list of Dometic companies, which comprise the Dometic Group, can be found in the public filings of:
DOMETIC GROUP AB Hemvärnsgatan 15 SE-17154 Solna Sweden