

↗ DOMETIC

SAFETY SOLUTIONS CHILD SAFETY

BLIND COMPONENTS & INSTRUCTIONS



Child Safety Requirements EN13120 Child Safety

Child Safety Requirements

Children can strangle if child safety devices are not installed and correctly adjusted. Please read the instructions carefully and install correctly. Always use child safety devices to keep cords or chains out of reach of children.

Installation

Chain and cord loop tensioners and retainers

These devices must be securely fixed at the maximum distance possible from the control such that the cord or chain loop will not become slack and should be at least 1.5 m from the floor.

Cleats

Cleat must be securely fixed at least 1.5m from the floor. A second cleat must be installed above the first if it is not possible to store all the cord on one cleat when the blind is fully raised.

Instructions and labels

Product must identify manufacturer name or trademark (this can be internal to the blind). All warning labels must be left on the product for the end user. Product instructions must be left with the customer (and end user in the case of OEM).

Breakaway devices

In the event these are actuated do not operate the blind without first reconnecting.

- Pull cords breakaway connector.
- Roman blind click ring / connector.
- Chain loop break open connector.

Questions

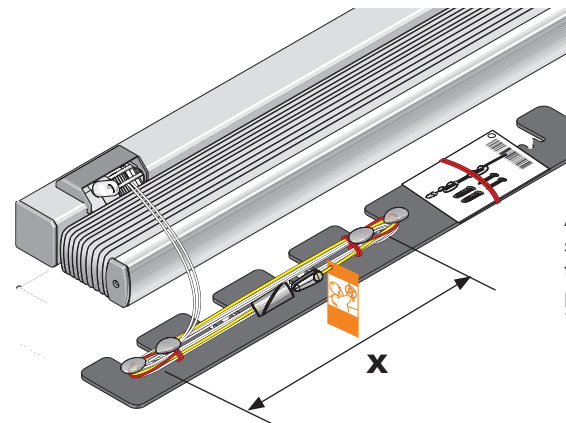
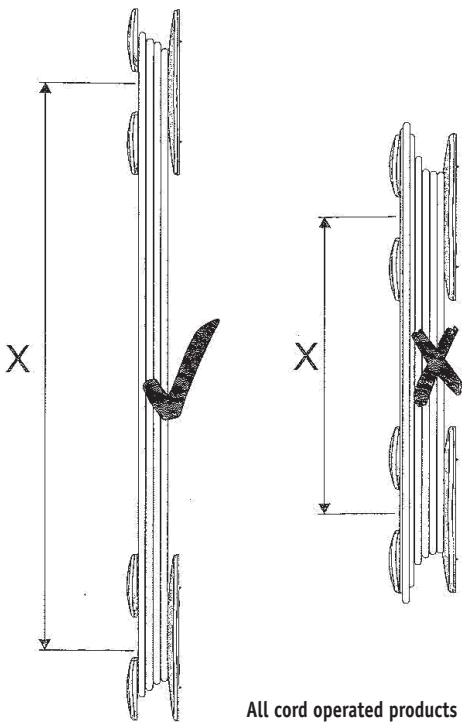
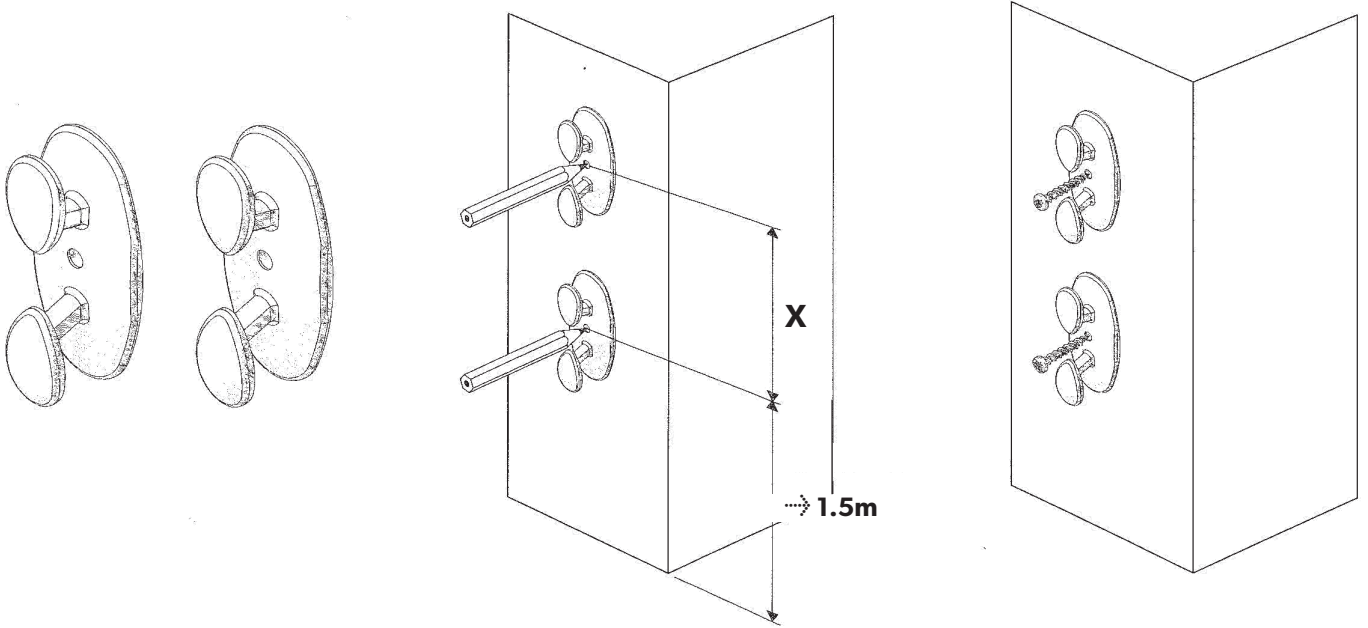
If you have any questions relating to child safety and the installation or operation of your blind, please contact manufacturer.

Warning:

Children can strangle if this safety device is not installed. Always use this device to keep cords or chains out of the reach of children. Only use fastenings that are suitable for the substrate being fixed to.

Attention:

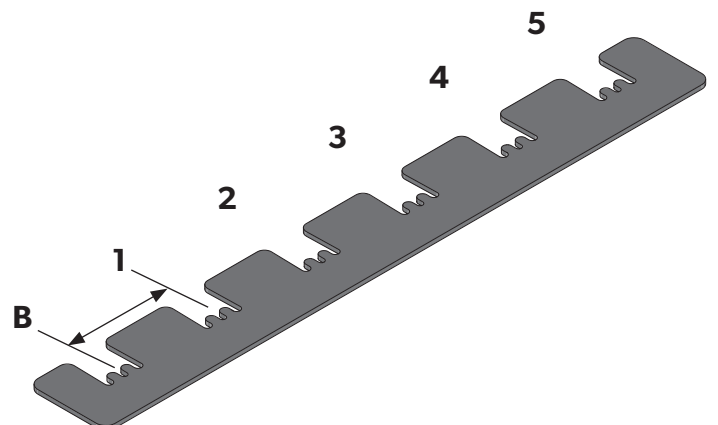
Always install at a min 1.5m height and as close to the headrail as possible.



As an example, the illustration shows cleats factory set on template (B+3) for blinds with product height range between 1201 & 1800mm.

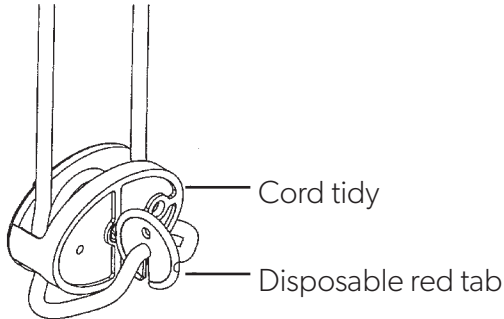
All cord operated products

Product Height (mm)	Cleat Positions	X (mm)
0-600	B+1	70
601-1200	B+2	140
1201-1800	B+3	210
1801-2400	B+4	280
2401-3000	B+5	350

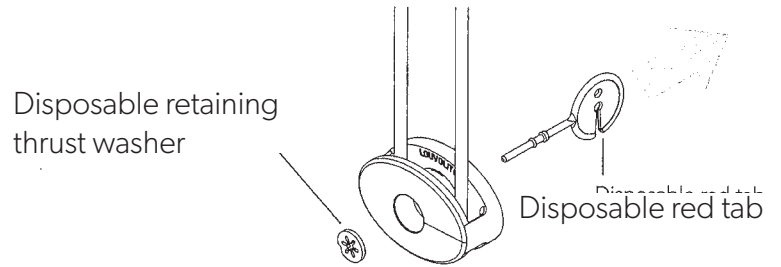


A Cord tidy will be supplied and must be fitted with all cord or chain loop operated blinds.

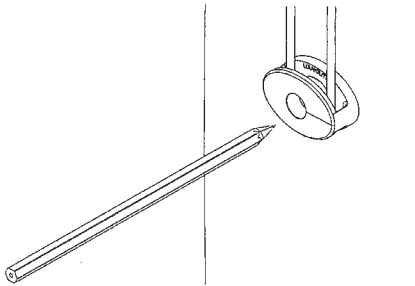
The cord tidy is a two piece device and will arrive with a disposable red tab fitted to it.



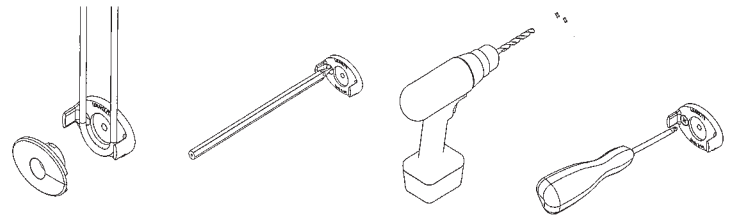
1. Remove the disposable red tab by disengaging it from the cord and then pull out the disposable red tab.



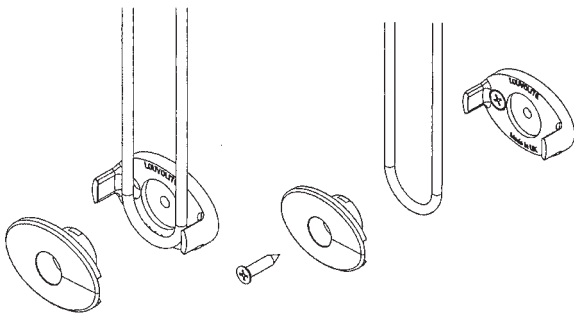
2. Position the cord tidy to the wall at the furthest distance below the roller tube adding appropriate tension to the cord and mark its location.



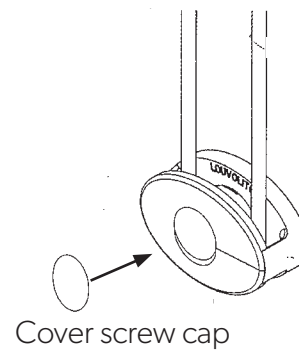
3. Split the cord tidy and mark the remaining offset hole position before drilling both location holes. Screw into the offset hole to fix the piece of cord tidy to the wall.



4. Re-assemble the cord tidy with the cord and fix it in previously marked position with a screw through the centre hole.



5. Push fit a cover cap over the screw hole opening.

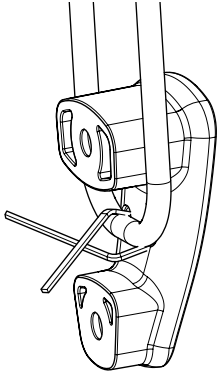


Please note:

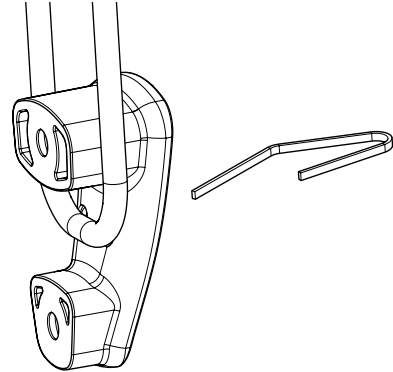
- If the blind drop is less than 2.5m cord length must be 1m or less.
- If blind drop is greater than 2.5m cord length must be drop of blind less 1.5m.

A Cord tidy will be supplied and must be fitted with all cord or chain loop operated blinds.

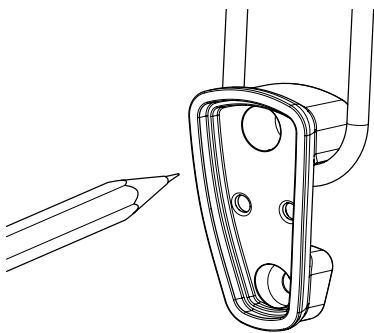
The cord tidy is a two piece device and will arrive with a disposable cord tie fitted to it.



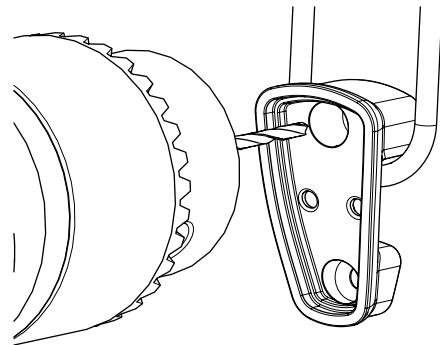
1. Remove the cord tie



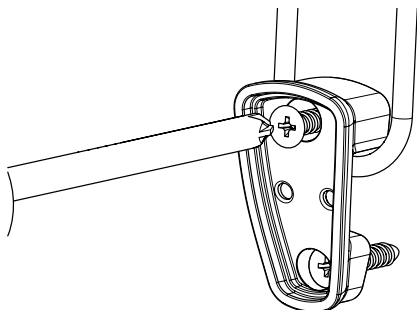
2. Position the cord tidy to the wall at the furthest distance below the roller tube adding appropriate tension to the cord and mark the position of both holes.



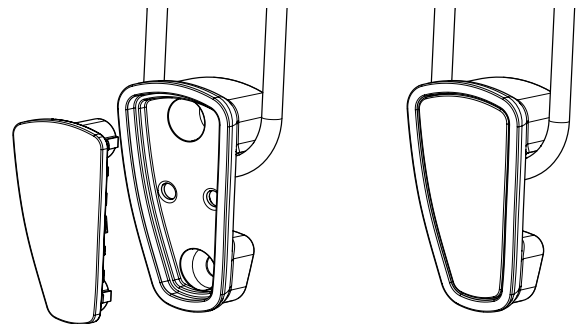
3. Using a pilot drill, drill both location holes



4. Fit screws through both holes making sure the cord is retained.



5. Securely push the rubber cover into the cord tidy.



Please note:

6. If the blind drop is less than 2.5m cord length must be 1m or less.
7. If blind drop is greater than 2.5m cord length must be drop of blind less 1.5m.

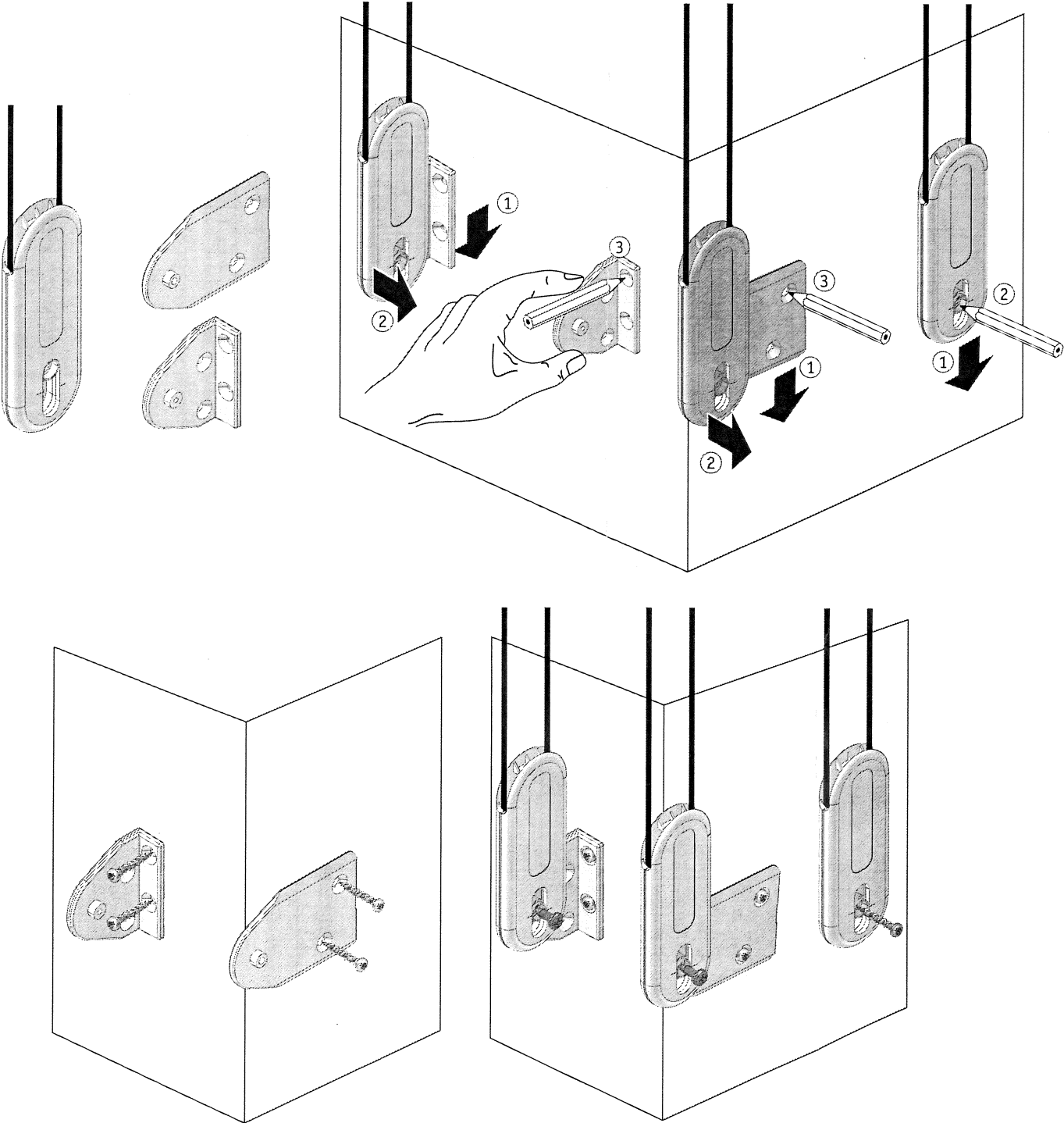
Installation Instructions

Warning:

Children can strangle if this safety device is not installed. Always use this device to keep cords or chains out of the reach of children. Only use fastenings that are suitable for the substrate being fixed to.

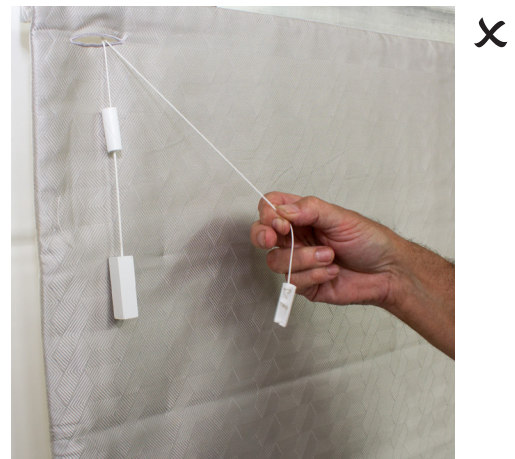
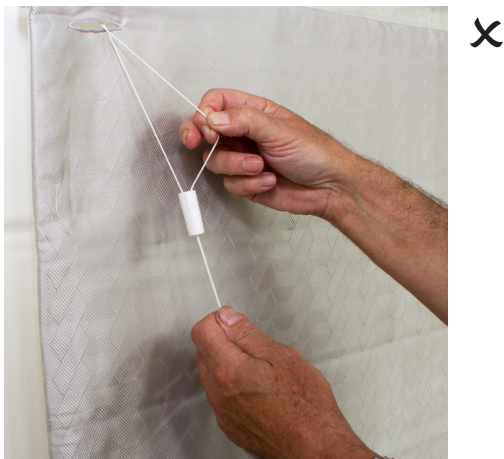
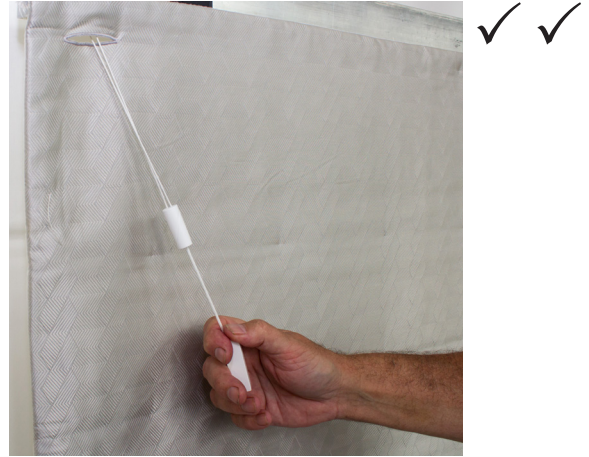
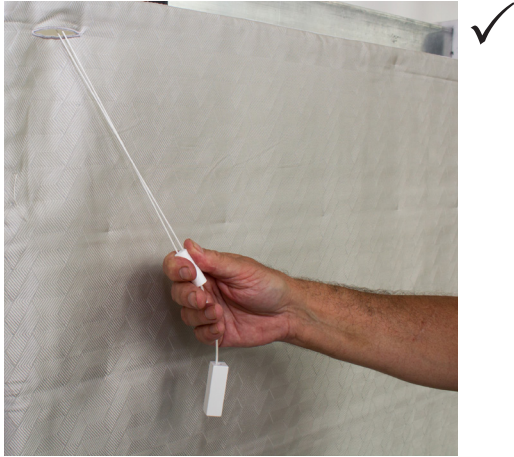
Attention:

Always install at a min 1.5m height and as close to the headrail as possible.



Used on

- ROMANBLINDS
- SKYVENETIAN
- SKYSOL



To raise blind

1. Pull acorn down and towards the centre of the blind.
2. Move acorn back to edge of blind under button hole
3. Release cord slowly

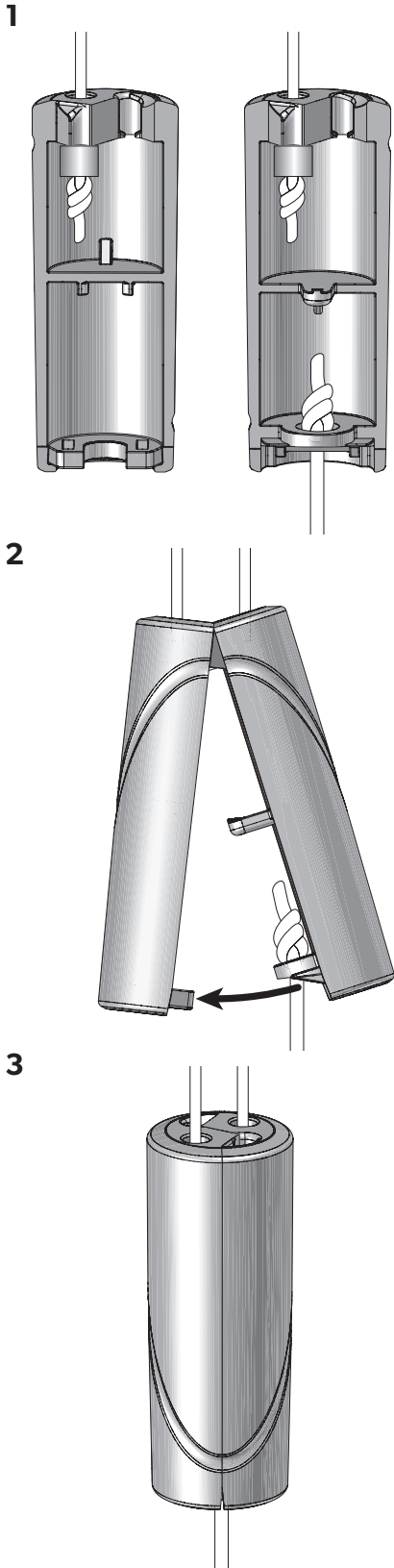
To Lower blind

1. Pull acorn down and towards the centre of the blind.
2. Release cord slowly
3. Allow the weight of the blind to lower the blind

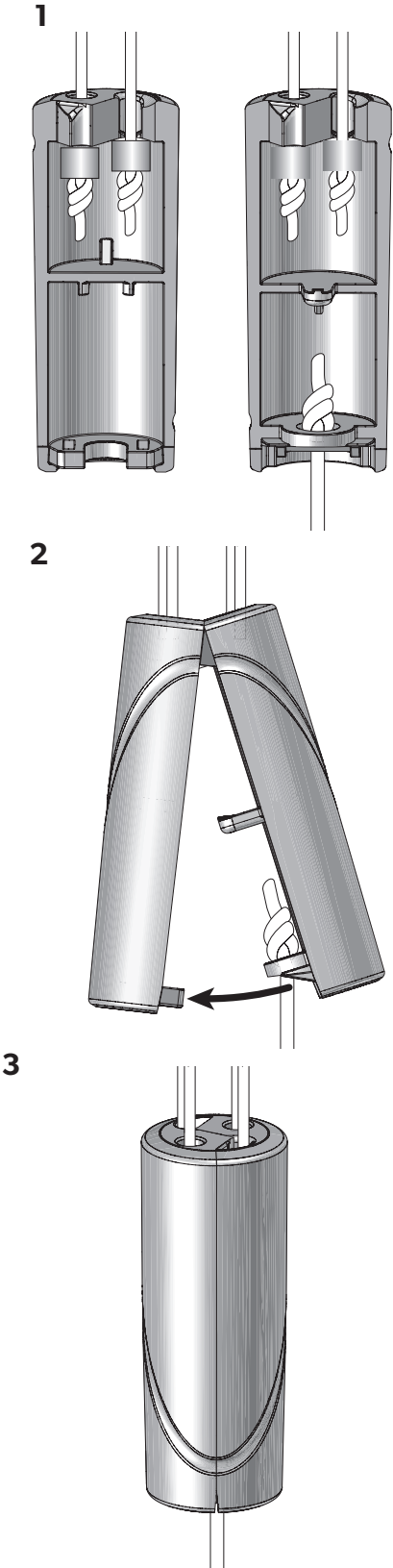
Re-connecting Instructions

For 0.9mm Cord (used on SKYSOL Products)

Blinds with 2 lift cords



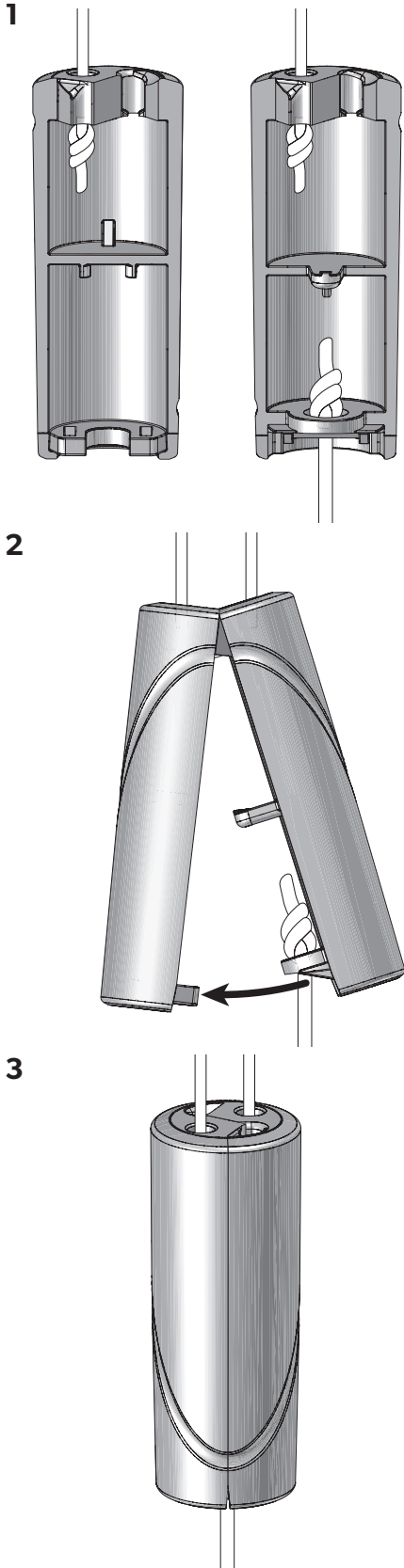
Blinds with 3 - 4 lift cords



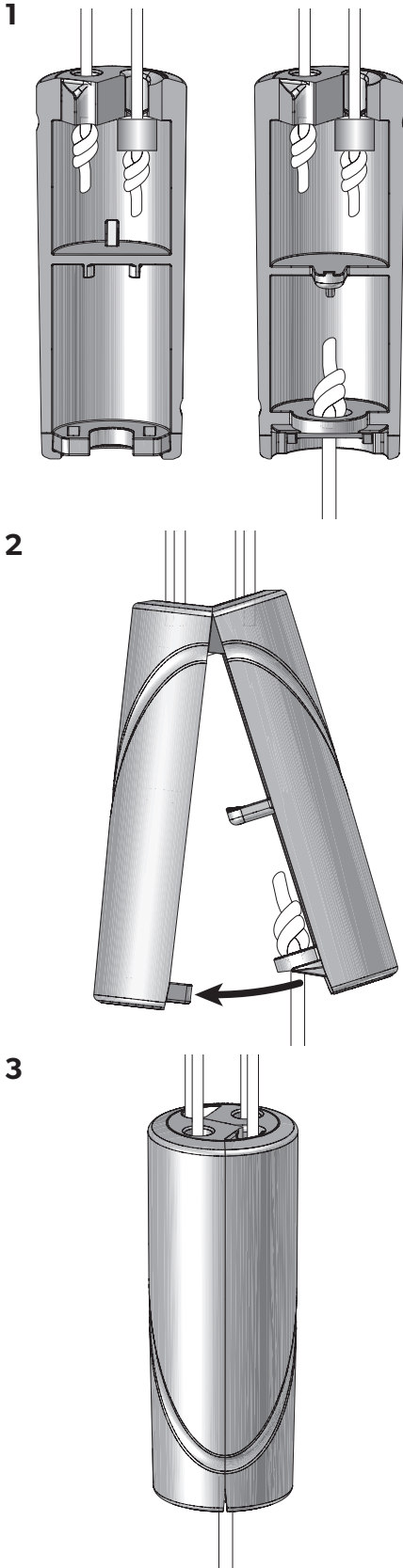
Re-connecting Instructions

For 1.2mm to 1.4mm Cord (Used on VENETIAN & ROMANBLIND)

Blinds with 2 lift cords



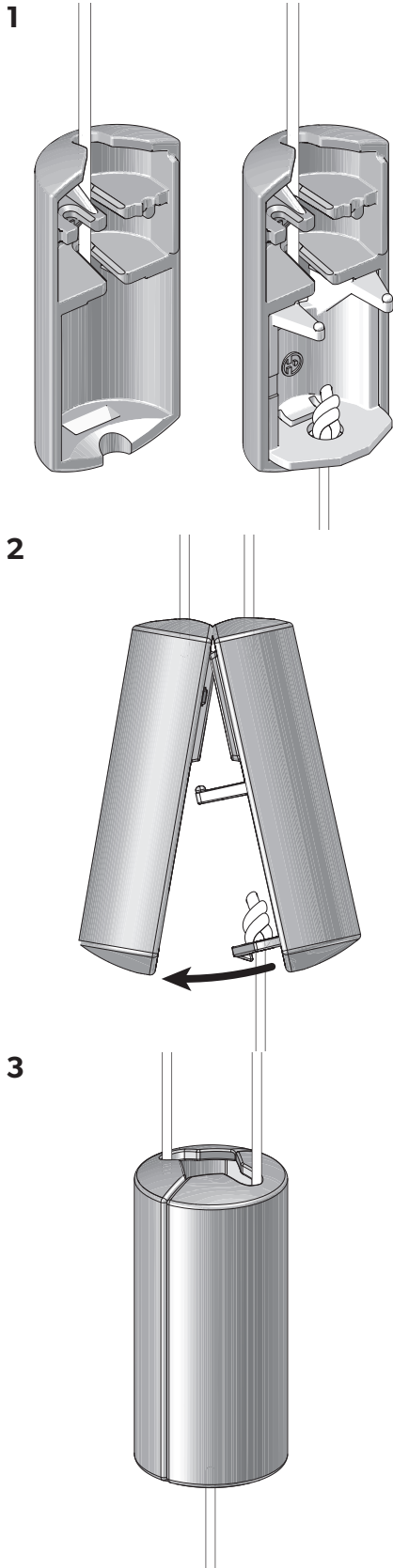
Blinds with 3 - 4 lift cords



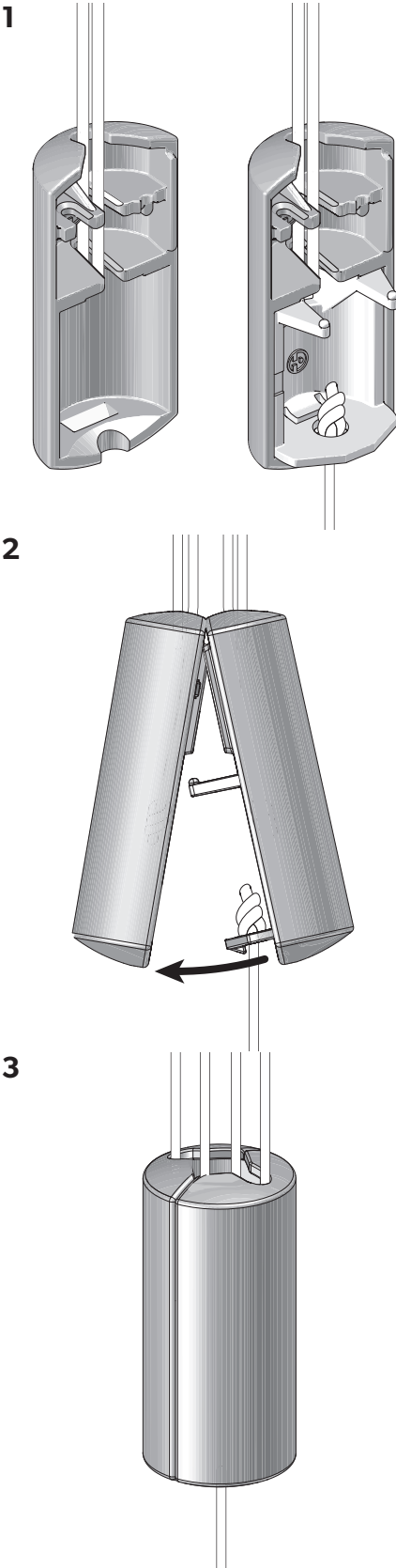
Re-connecting Instructions

For 1.7mm to 2.8mm Cord (Used on VENETIAN & ROMANBLIND)

Blinds with 2 lift cords

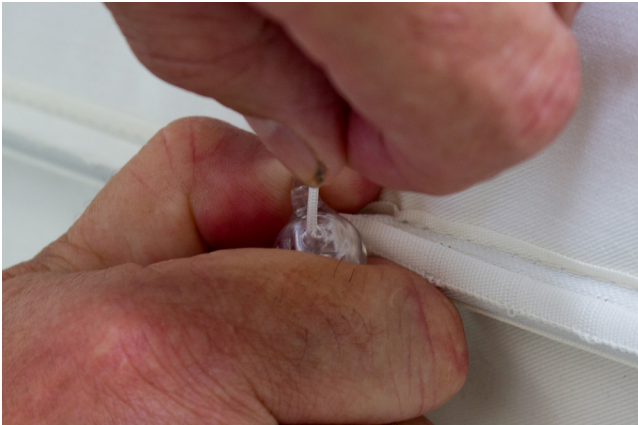


Blinds with 3 - 4 lift cords



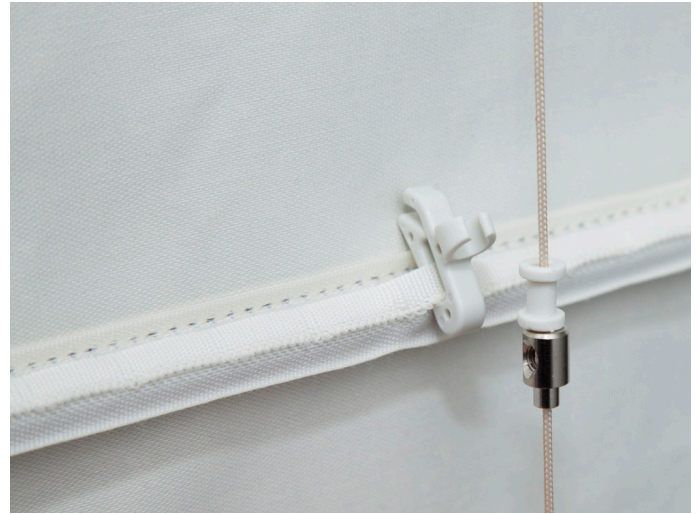
Refitting Cord Stopper manufactured from September 2015

Do not operate blind before reconnecting



Refitting Child safety components Manufactured up to September 2015

Do not operate the blind until child safety components are re-installed.



Child Safety break away connector activated



Re-attach the break away connector.



Break away connector in position



www.dometic.com
blindsystems@dometic.com
+44 (0) 1243 606909
© Dometic UK Blind Systems Ltd 2019



700000313 Issue 05 February 2019